



US00D772969S

(12) **United States Design Patent** (10) **Patent No.:** **US D772,969 S**
Druker et al. (45) **Date of Patent:** **** Nov. 29, 2016**

(54) **CAMERA HARNESS**

(71) Applicant: **GoPro, Inc.**, San Mateo, CA (US)

(72) Inventors: **Joshua Todd Druker**, Redwood City, CA (US); **Mark Costa**, Menlo Park, CA (US); **Nicholas Streets**, San Francisco, CA (US); **Richard Gioscia**, Santa Clara, CA (US); **William Duncan Webb, II**, San Francisco, CA (US); **Quinn Jerome Odette Fitzgerald**, San Francisco, CA (US); **Jae Pyung Lee**, San Francisco, CA (US)

(73) Assignee: **GoPro, Inc.**, San Mateo, CA (US)

(**) Term: **14 Years**

(21) Appl. No.: **29/518,110**

(22) Filed: **Feb. 19, 2015**

(51) **LOC (10) Cl.** **16-05**

(52) **U.S. Cl.**
USPC **D16/242**

(58) **Field of Classification Search**
USPC D14/217, 251, 432, 447, 451;
D16/237-250; 224/201, 265, 270, 271,
224/908; 248/176.1, 187.1, 346.01, 346.03;
352/243; 396/419-423, 428
CPC ... G03B 17/561; A45F 5/00; A45F 2200/05;
A45F 2200/0533; A01K 15/00; A01K 15/02;
A01K 15/024

See application file for complete search history.

(56) **References Cited**

U.S. PATENT DOCUMENTS

D289,162 S *	4/1987	Lisowski	D16/242
D470,526 S *	2/2003	Oliver	D16/242
D470,527 S *	2/2003	Oliver	D16/242
D581,419 S *	11/2008	Johnson	D14/432
8,662,362 B1 *	3/2014	Bastian	H04B 1/3888 224/197
D719,628 S *	12/2014	Samuels	D21/771
D750,693 S *	3/2016	Sammons	D16/237

D754,779 S *	4/2016	Daniel	D16/243
2008/0072846 A1 *	3/2008	Albright	A01K 27/004 119/792
2014/0140686 A1 *	5/2014	Weihe	G03B 17/561 396/428
2015/0129624 A1 *	5/2015	Sumner	G10D 13/00 224/265
2015/0177597 A1 *	6/2015	Harrison	G03B 17/561 396/419
2015/0288407 A1 *	10/2015	Hernandez	H04B 1/3888 224/267
2015/0323858 A1 *	11/2015	Stephens	F16M 13/04 396/423

OTHER PUBLICATIONS

<http://www.blessthisstuff.com/stuff/technology/digital-camcorders/gopro-fetch/> Available Aug. 29, 2014.*
<http://www.dogster.com/the-scoop/mount-camera-dog-film-walks-sony-aka-dm1> Posted Jul. 25, 2013.*

* cited by examiner

Primary Examiner — Susan Bennett Hattan

Assistant Examiner — Leanne Was

(74) *Attorney, Agent, or Firm* — Fenwick & West LLP

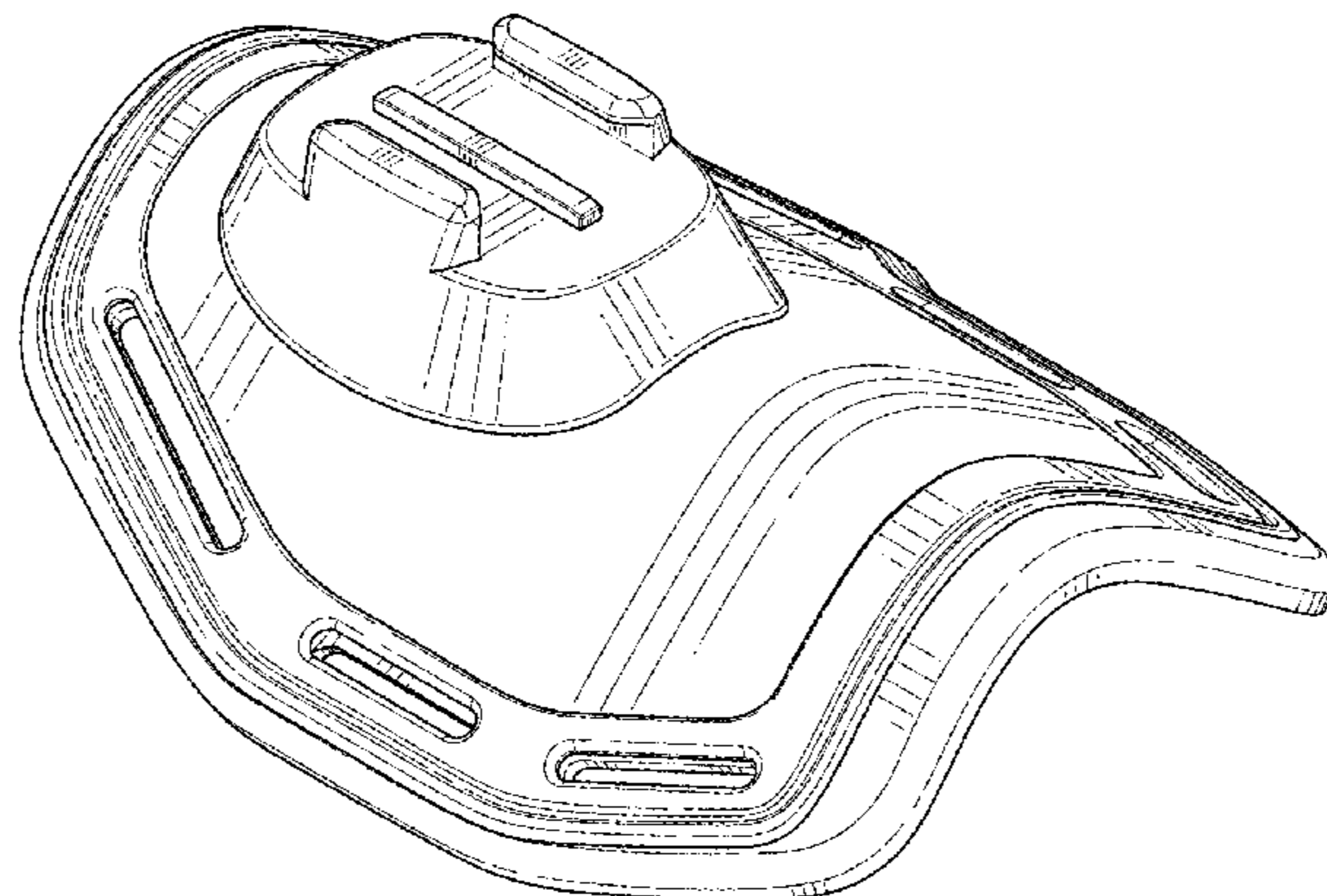
(57) **CLAIM**

The ornamental design for a camera harness, as shown and described.

DESCRIPTION

FIG. 1 is a front, top, and left side perspective view of a camera harness;
FIG. 2 is a rear, top, and right side perspective view thereof;
FIG. 3 is a rear, bottom, and right side perspective view thereof;
FIG. 4 is a left side elevational view thereof;
FIG. 5 is a right side elevational view thereof;
FIG. 6 is a rear elevational view thereof;
FIG. 7 is a rear elevational view thereof;
FIG. 8 is a top plan view thereof; and,
FIG. 9 is a bottom plan view thereof.
The broken lines in the drawings showing portions of the camera harness are included for the purpose of illustrating environmental structure and form no part of the claimed design.

1 Claim, 9 Drawing Sheets



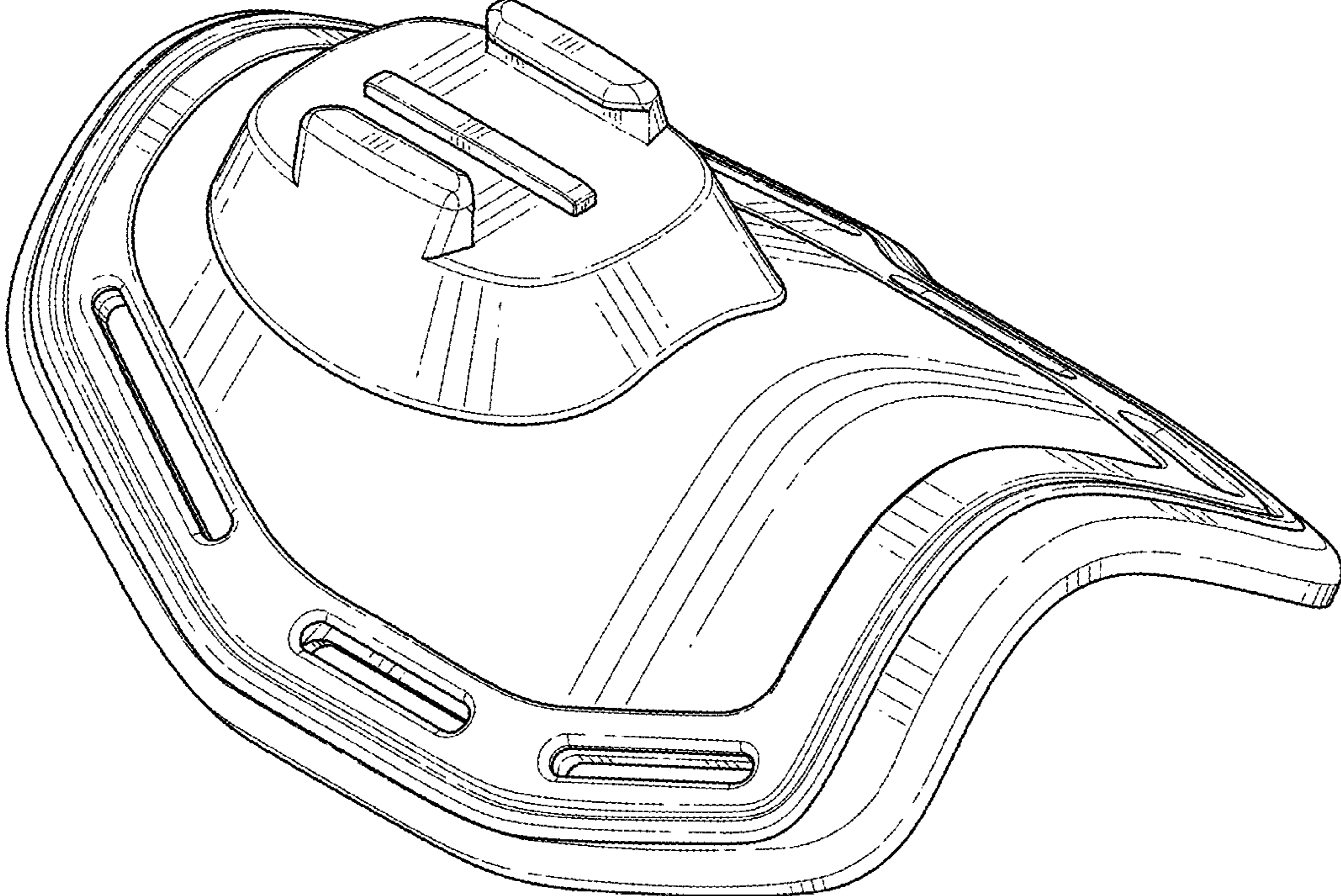


FIG. 1

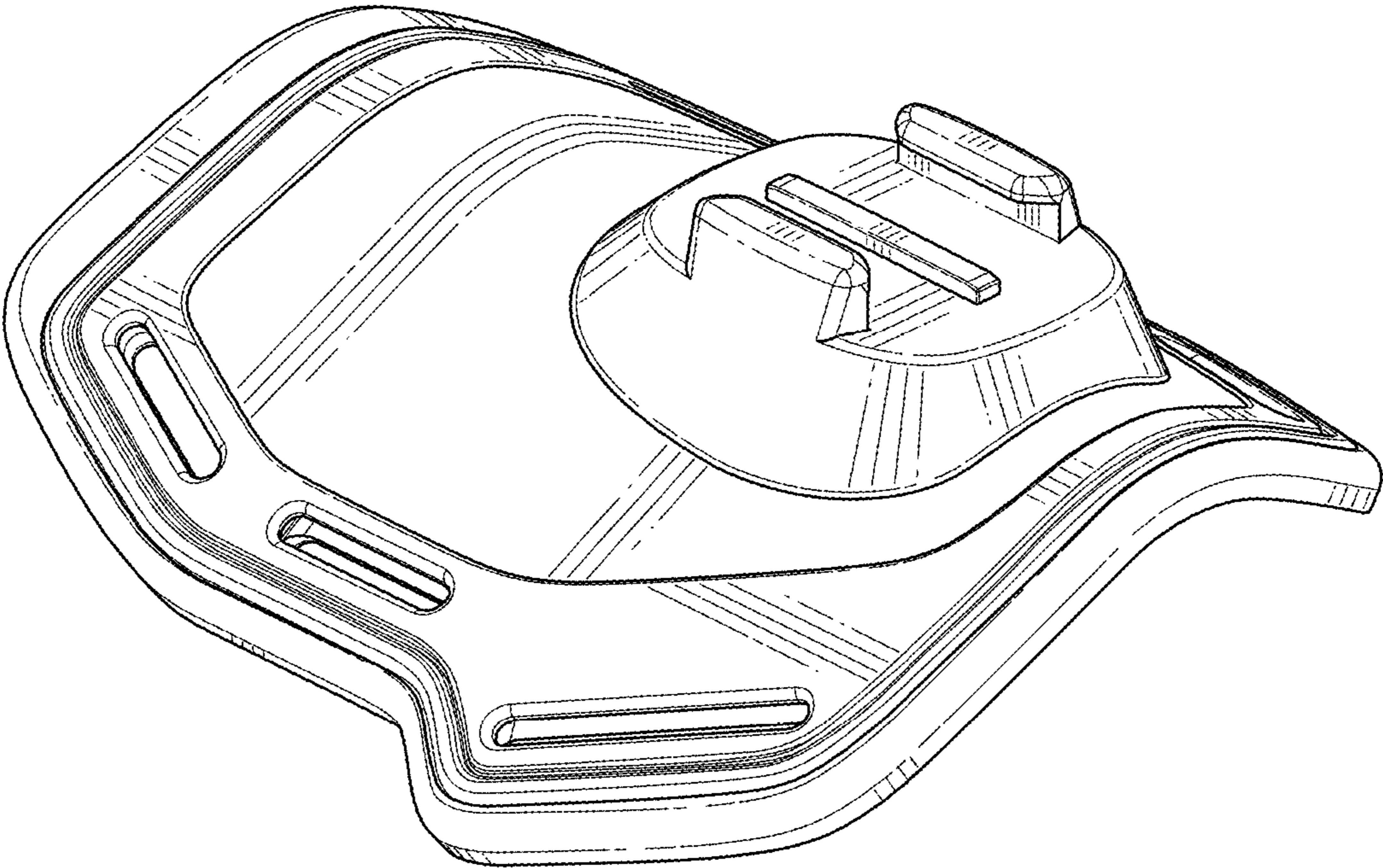


FIG. 2

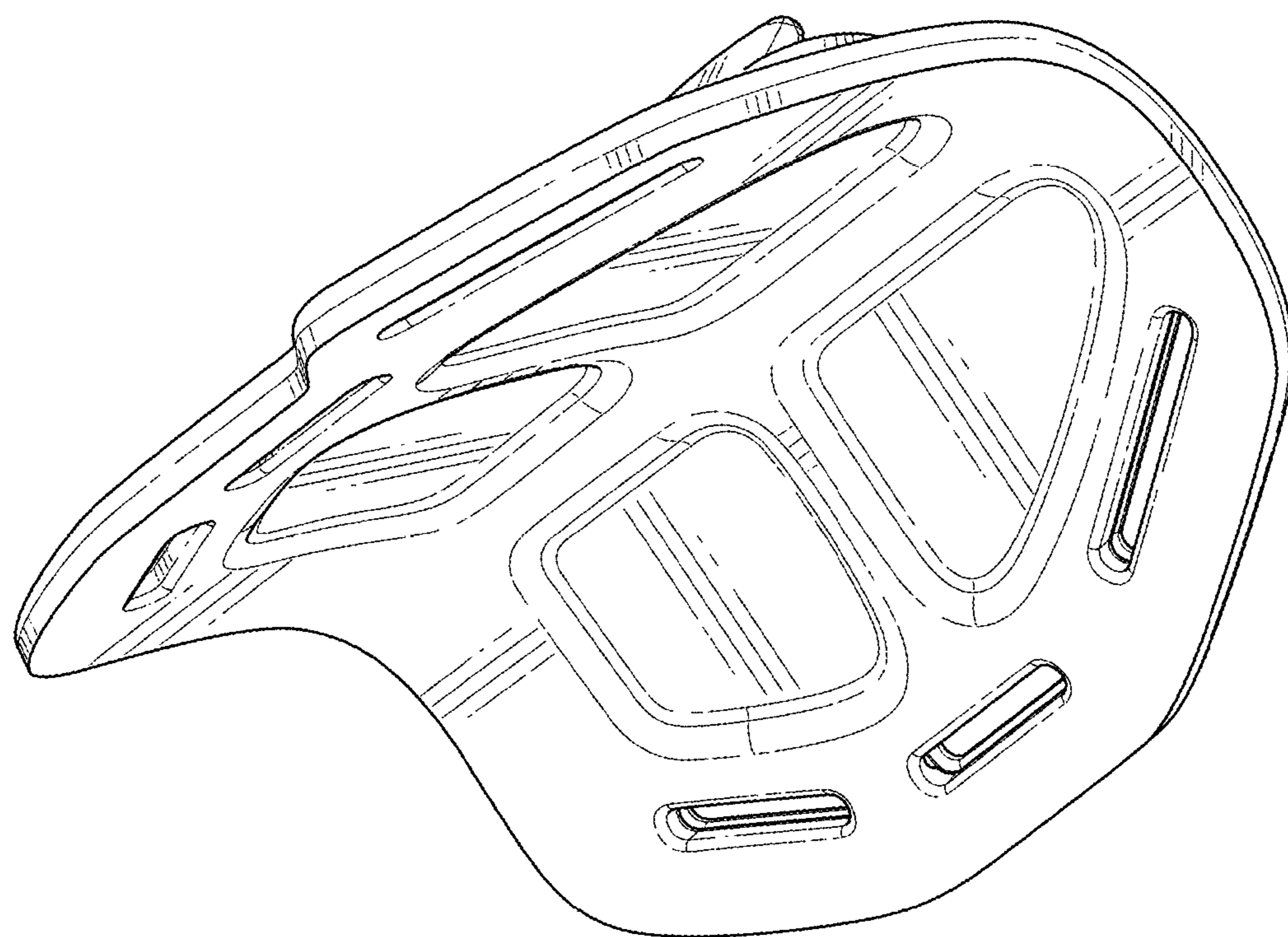


FIG. 3

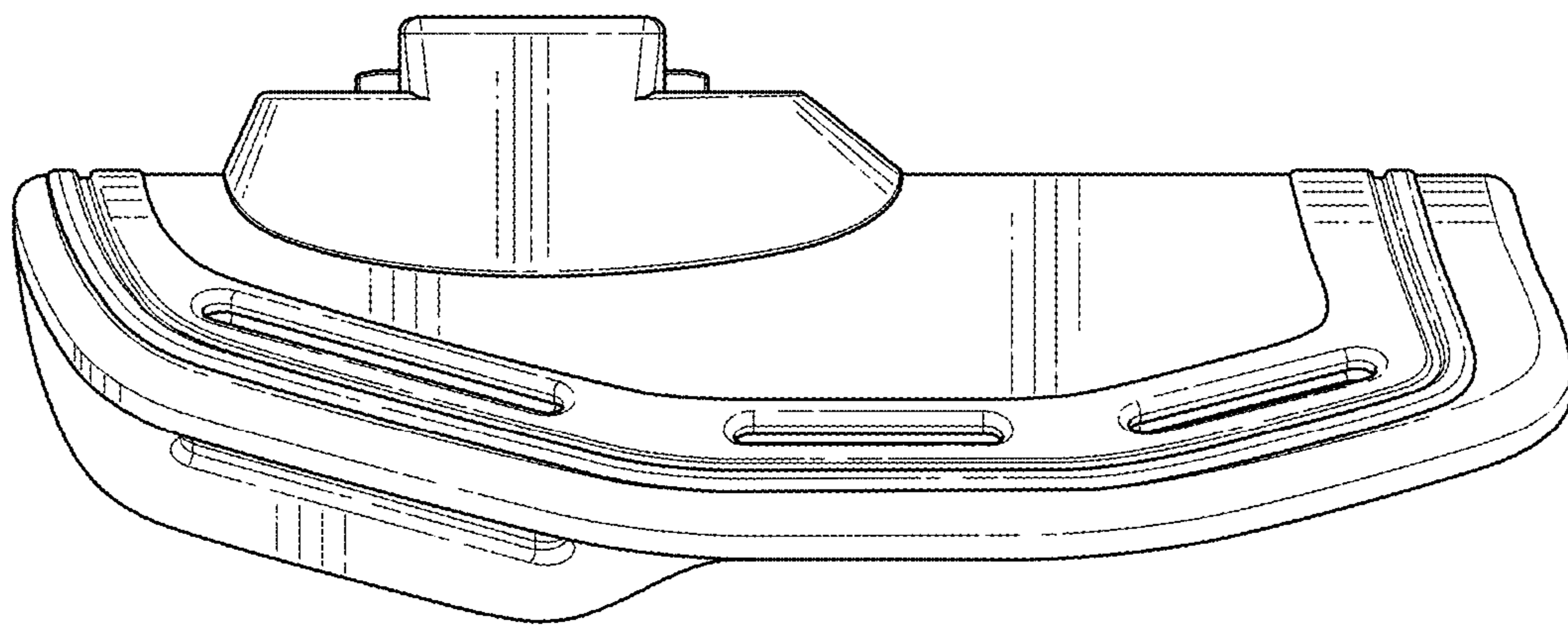


FIG. 4

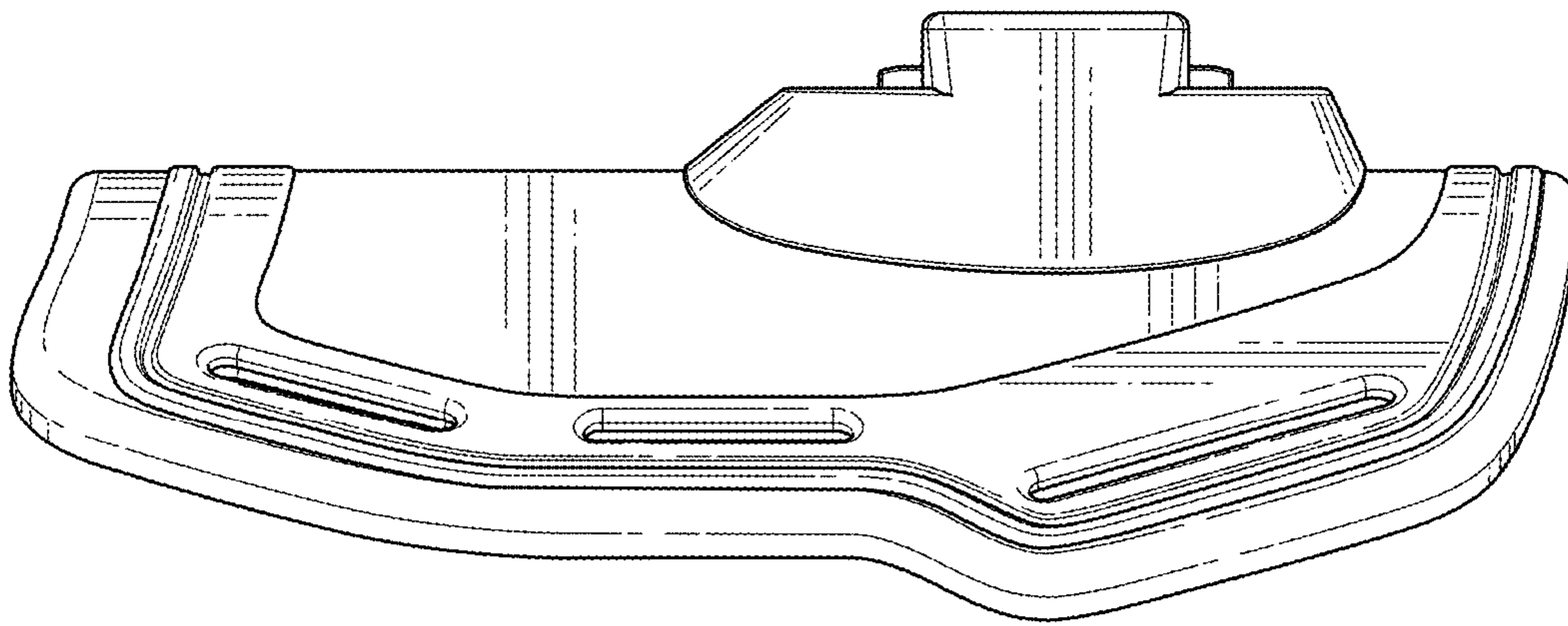


FIG. 5

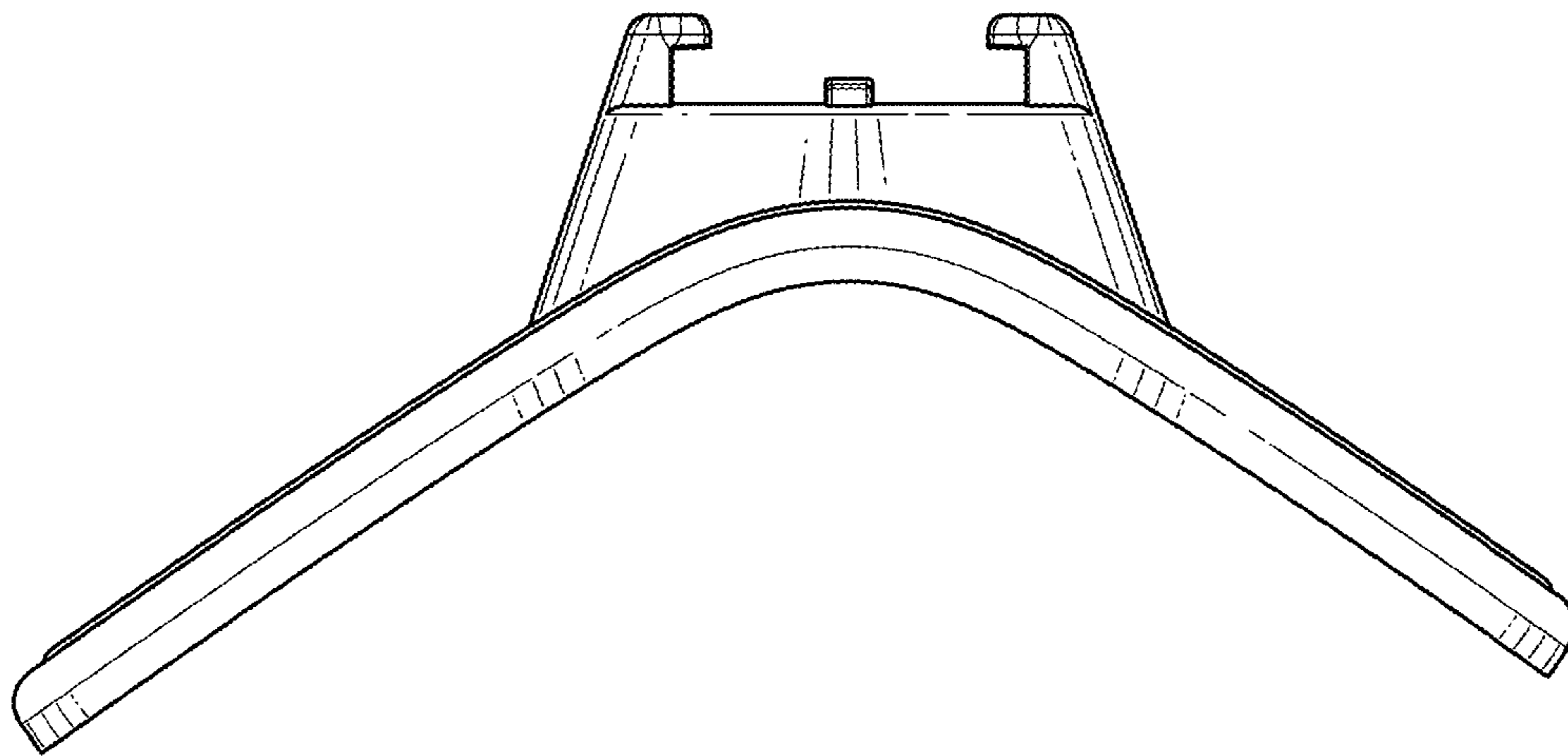


FIG. 6

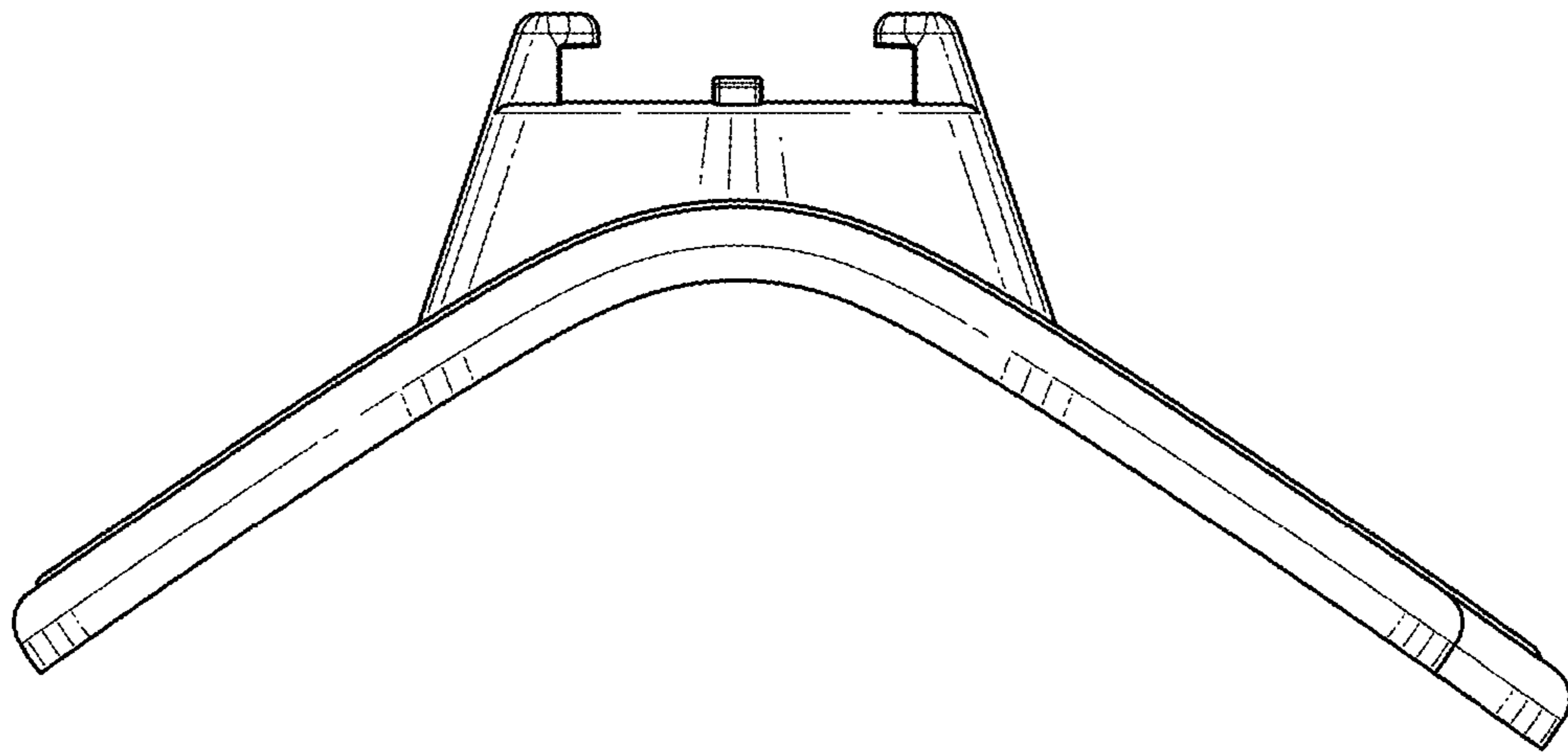


FIG. 7

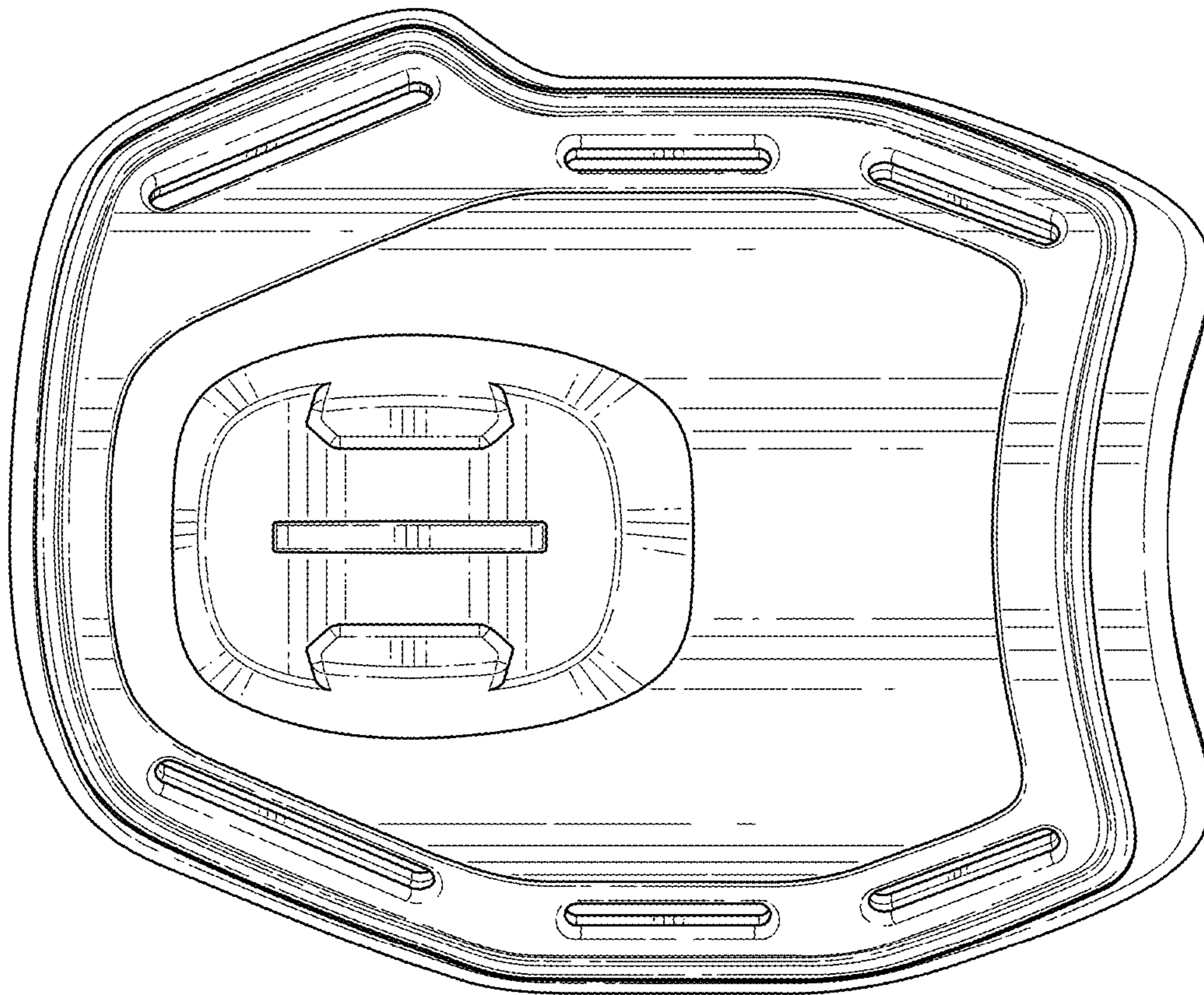


FIG. 8

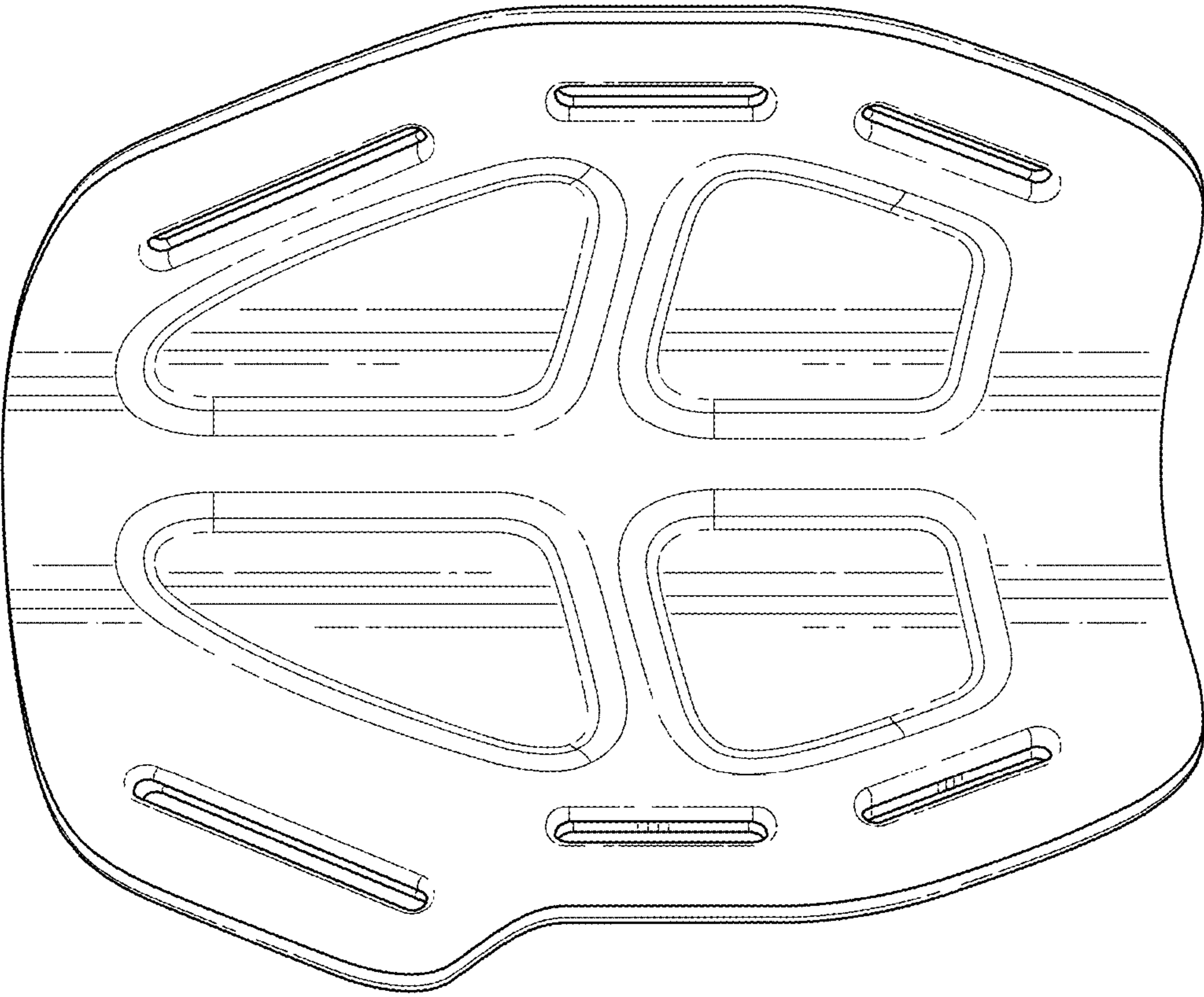


FIG. 9