



US00D772968S

(12) **United States Design Patent** (10) **Patent No.:** **US D772,968 S**
Lee (45) **Date of Patent:** **** Nov. 29, 2016**

(54) **BEAM PROJECTOR WITH COMMUNICATION FUNCTION**

2013/0335712 A1* 12/2013 Lanchava G03B 21/145
353/52

(71) Applicant: **LG ELECTRONICS INC.**, Seoul (KR)

* cited by examiner

(72) Inventor: **Kunwoo Lee**, Seoul (KR)

Primary Examiner — Wan Laymon

(73) Assignee: **LG ELECTRONICS INC.**, Seoul (KR)

(74) *Attorney, Agent, or Firm* — Birch, Stewart, Kolasch & Birch, LLP

(**) Term: **15 Years**

(57) **CLAIM**

The ornamental design for a beam projector with communication function, as shown and described.

(21) Appl. No.: **29/532,895**

(22) Filed: **Jul. 10, 2015**

(30) **Foreign Application Priority Data**

DESCRIPTION

Jan. 13, 2015 (KR) 30-2015-0001661

(51) **LOC (10) Cl.** **16-02**

(52) **U.S. Cl.**
USPC **D16/225**; D16/230

(58) **Field of Classification Search**
USPC D16/221, 225, 230–231, 234, 203, 208;
D21/514; D14/506, 508–509,
D14/128–129, 168, 188, 194–195
CPC .. G03B 21/00; G03B 21/001; G03B 21/003;
G03B 21/12; G03B 21/14; G03B 21/145
See application file for complete search history.

FIG. 1 is a perspective view of a beam projector with communication function showing my new design;
FIG. 2 is a front view thereof;
FIG. 3 is a rear view thereof;
FIG. 4 is a left side view thereof where the right side view is a mirror image;
FIG. 5 is a top plan view thereof;
FIG. 6 is a bottom plan view thereof;
FIG. 7 is a reference view thereof showing an example of the usage of the subject design in which the image is projected onto the floor; and,
FIG. 8 is a reference view thereof showing an example of the usage of the subject design in which the subject design is swivelled at an angle of 90 degrees and then projects the image onto the wall.
The broken lines depict portions of the beam projector with communication function that form no part of the claimed design.

(56) **References Cited**

U.S. PATENT DOCUMENTS

D510,926 S * 10/2005 Jerome D14/168
D555,184 S * 11/2007 Rodriguez, Jr. D16/225
2005/0012909 A1* 1/2005 Kokin G03B 21/145
353/119

1 Claim, 8 Drawing Sheets

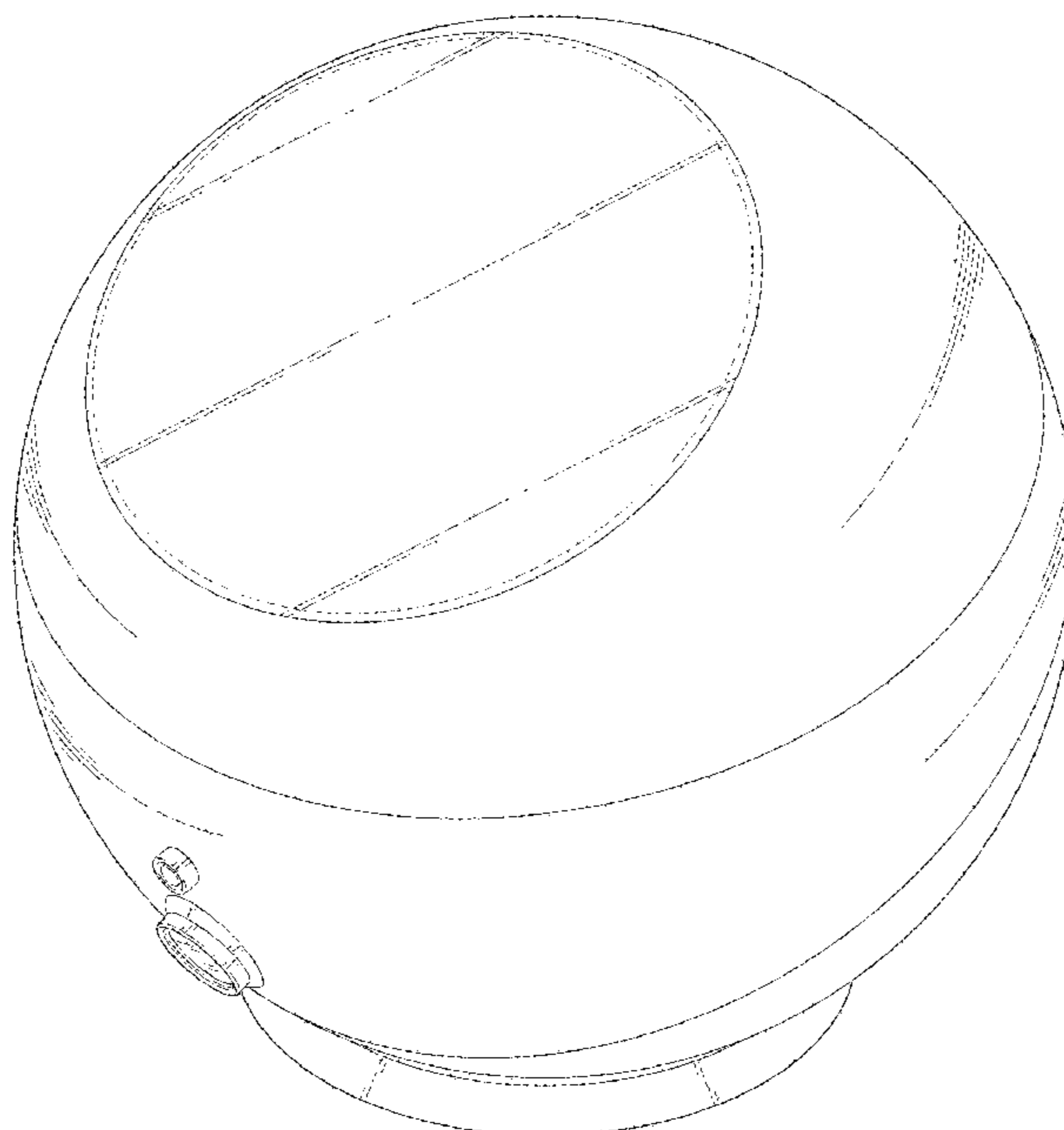


FIG. 1

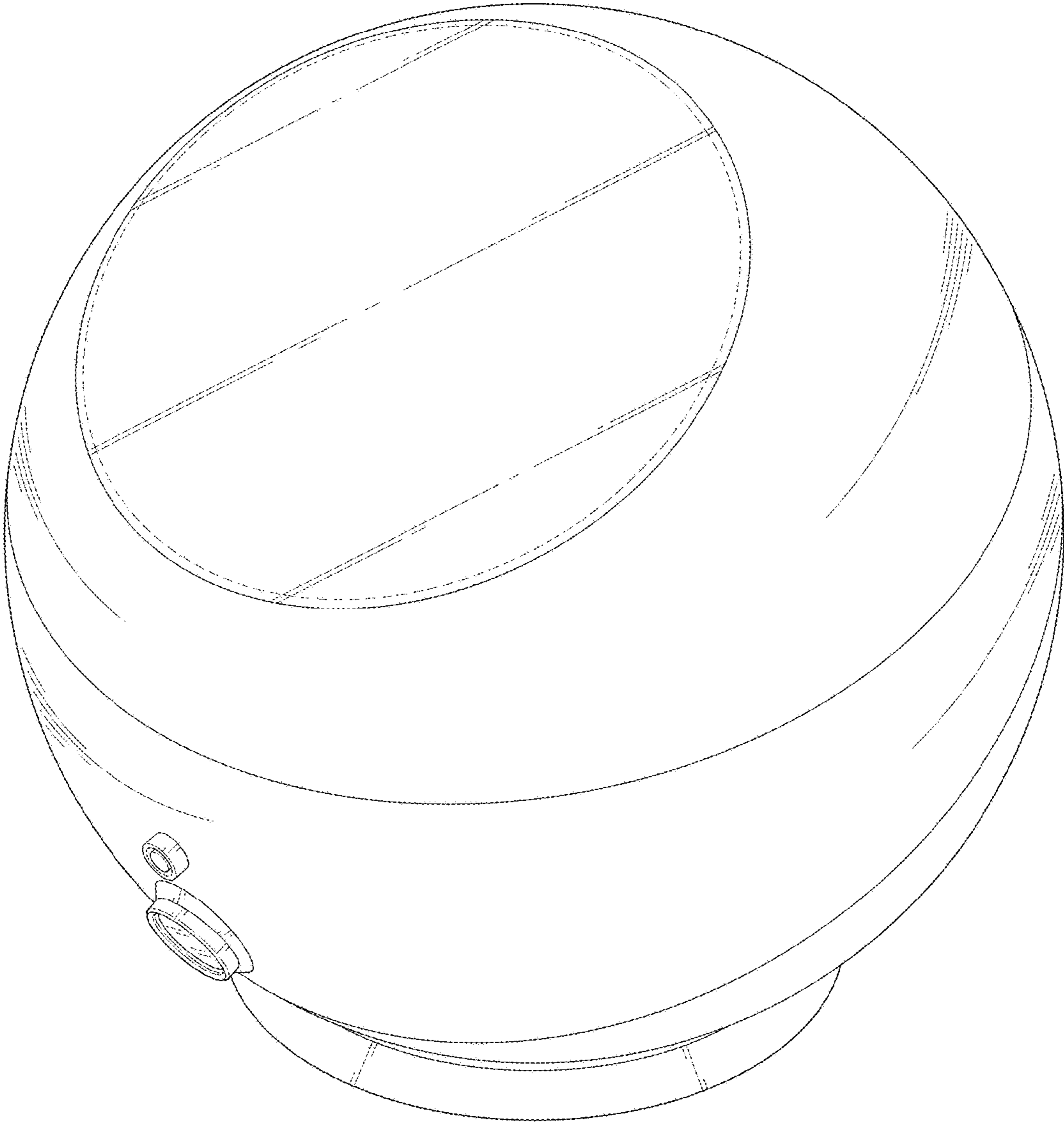


FIG. 2

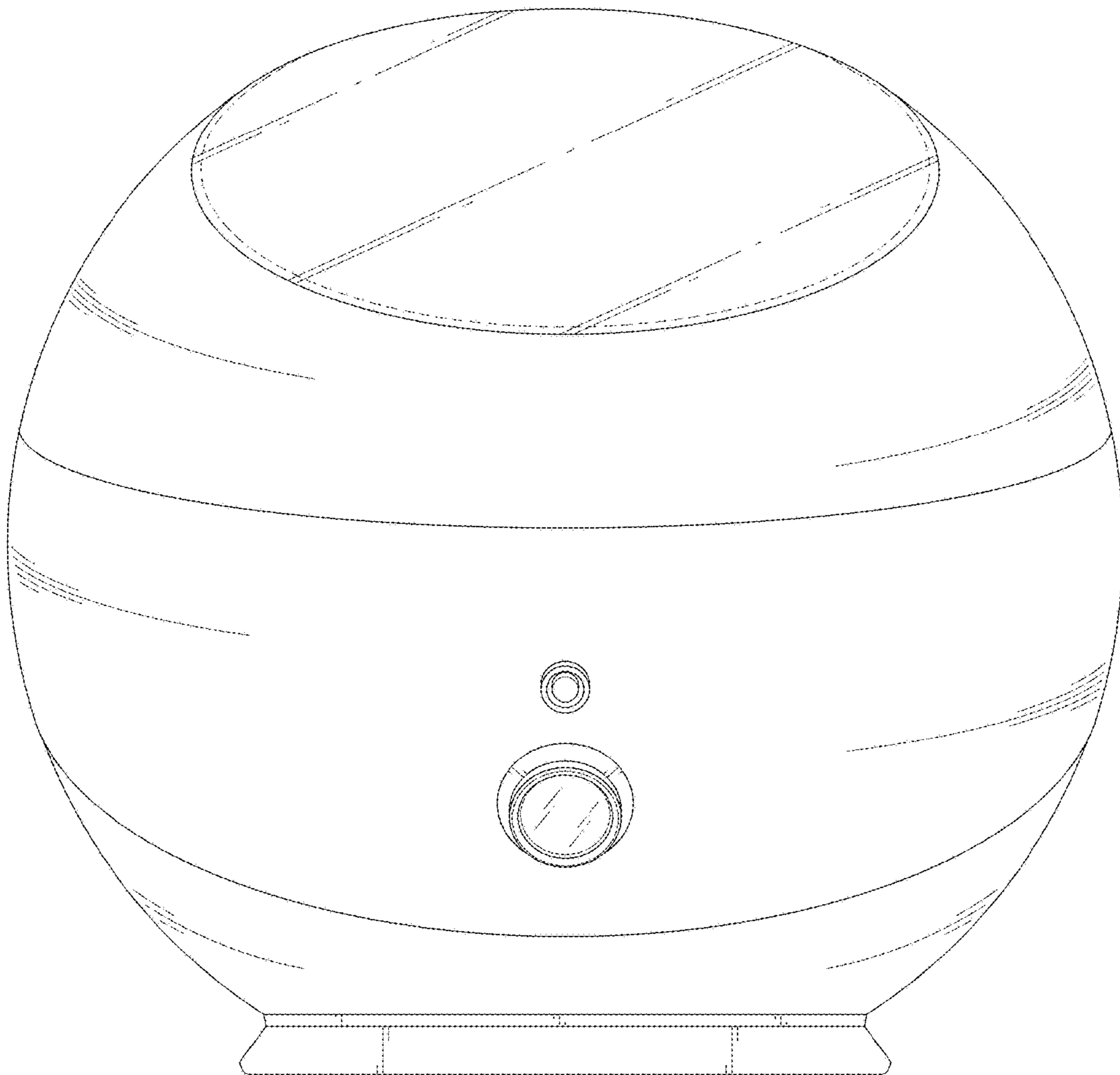


FIG. 3

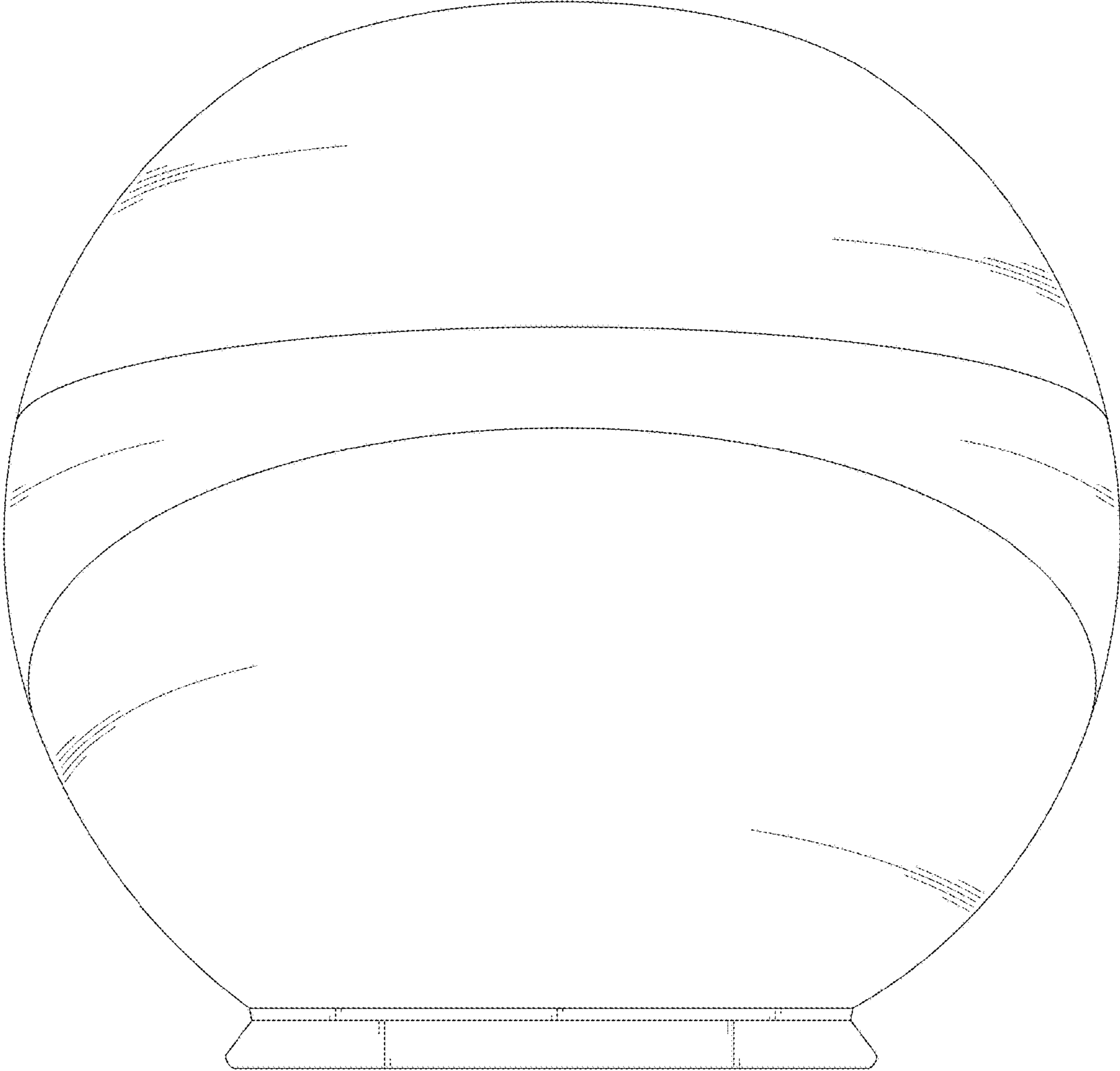


FIG. 4

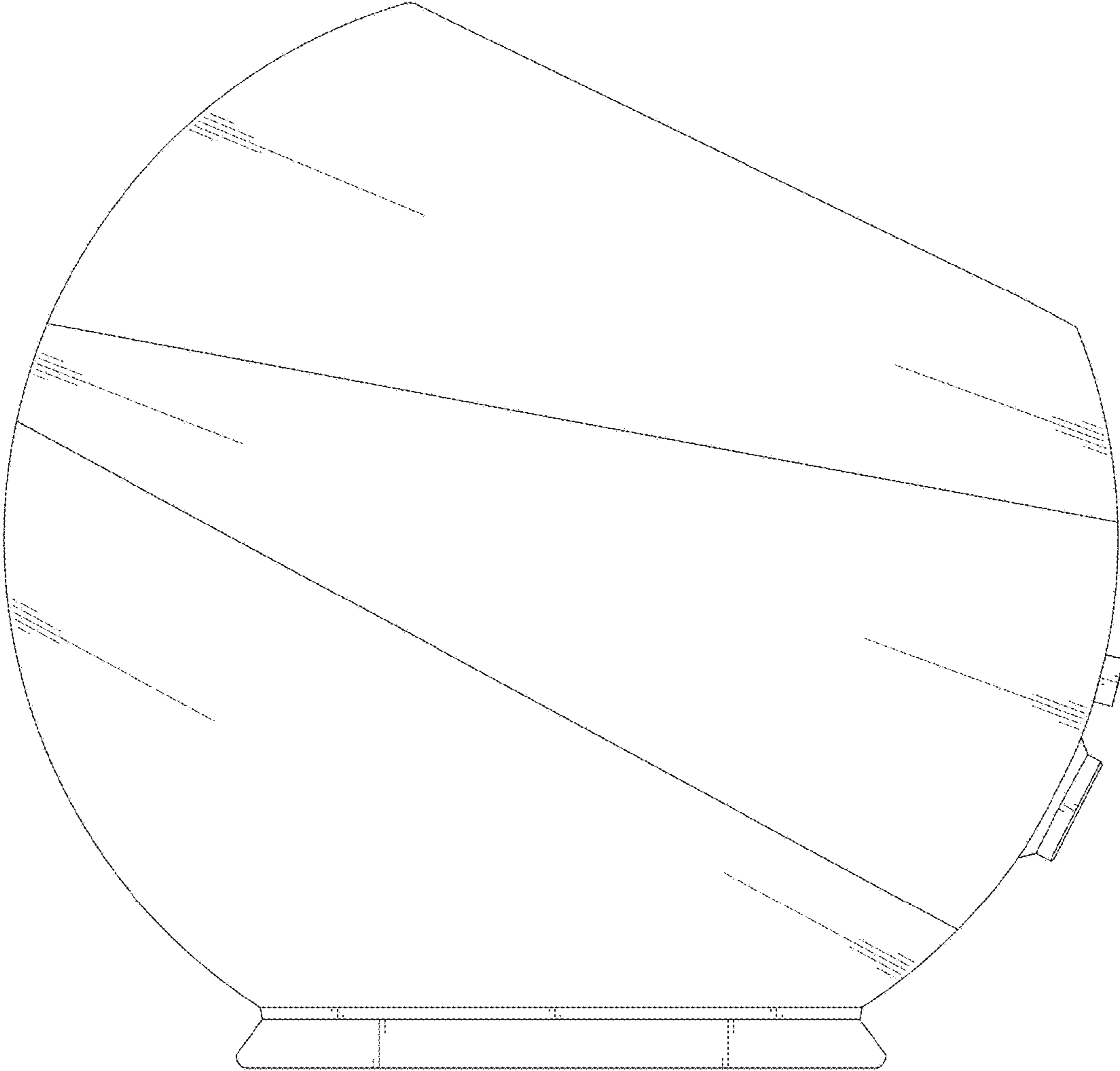


FIG. 5

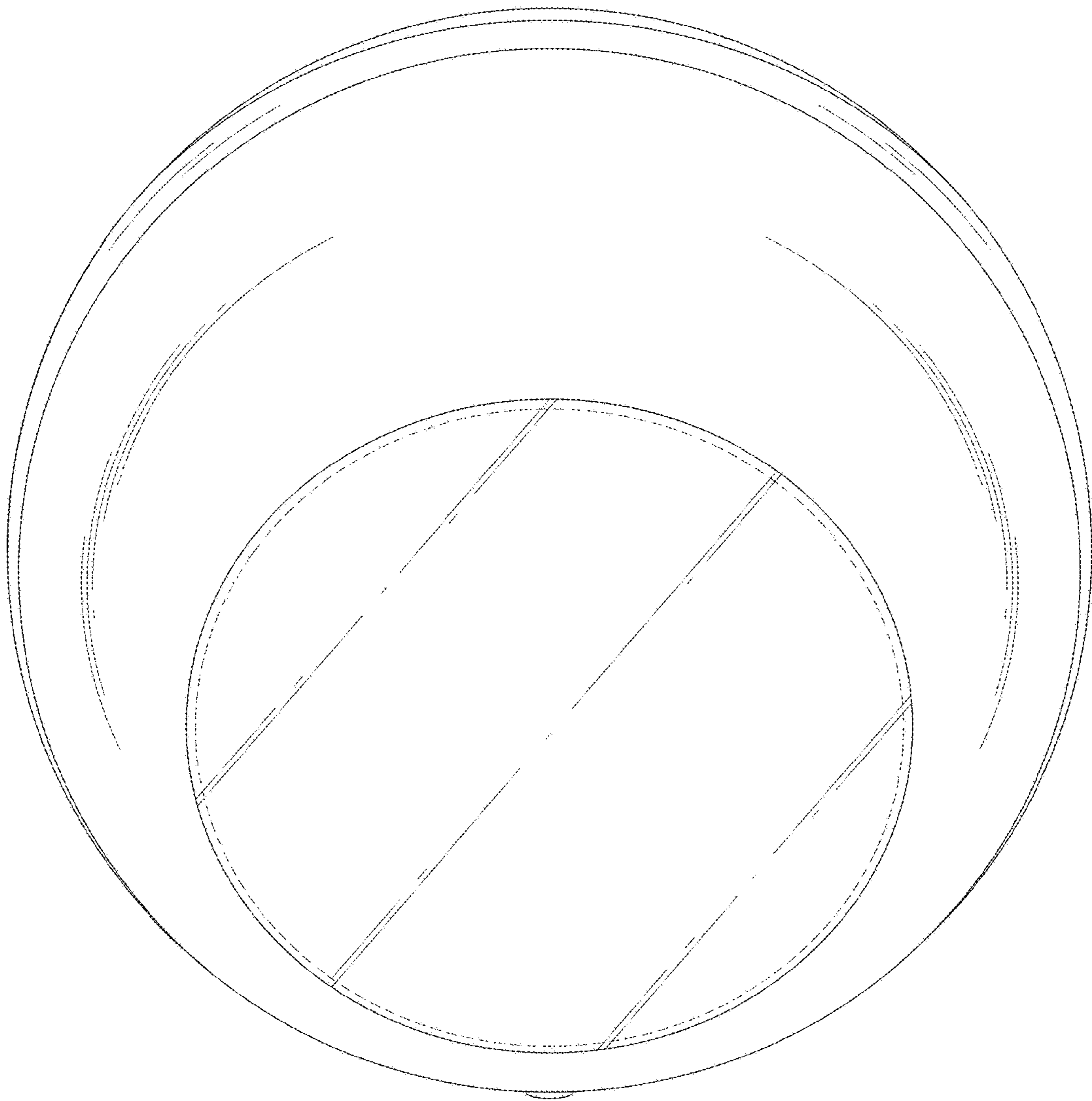


FIG. 6

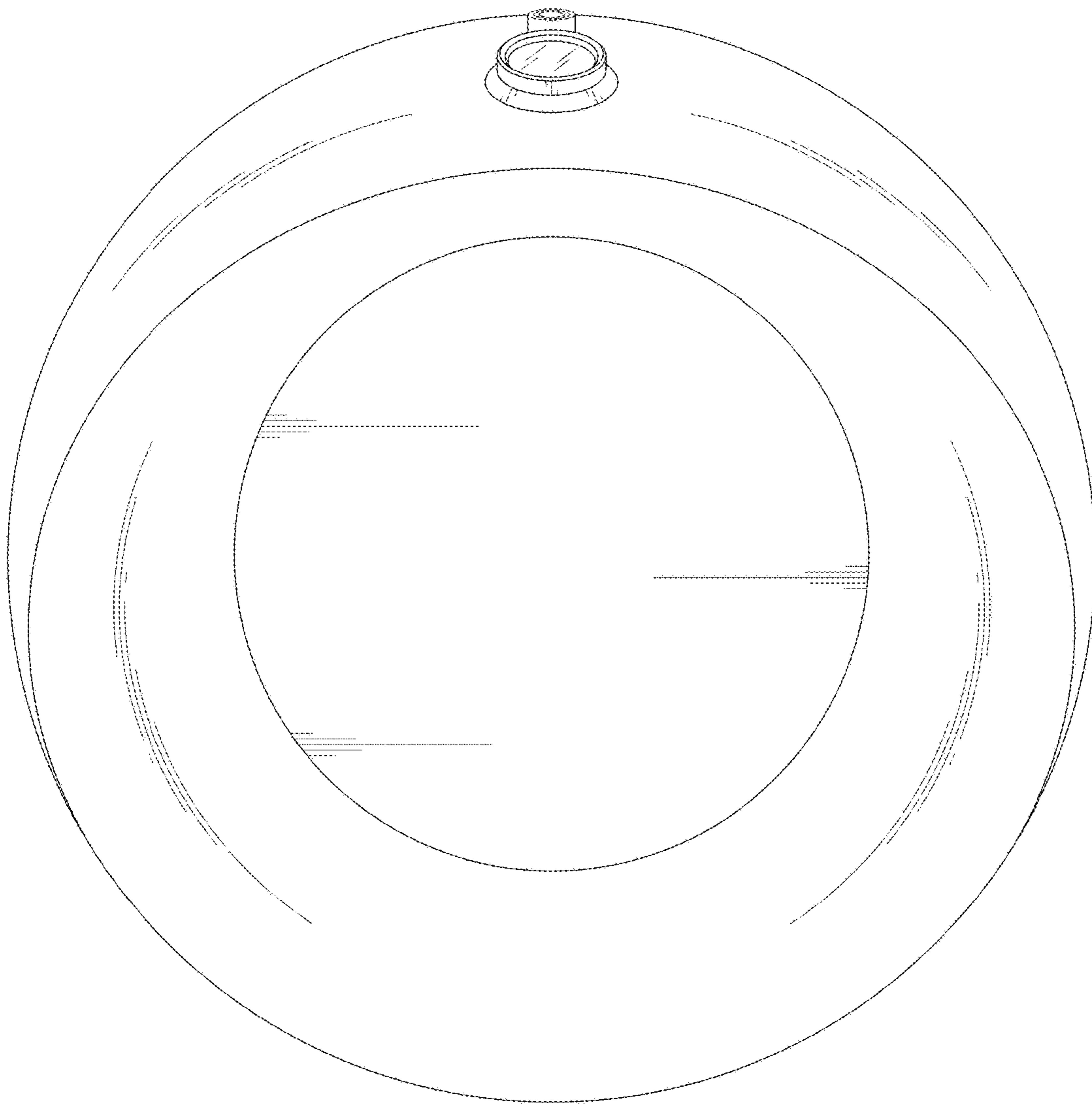


FIG. 7

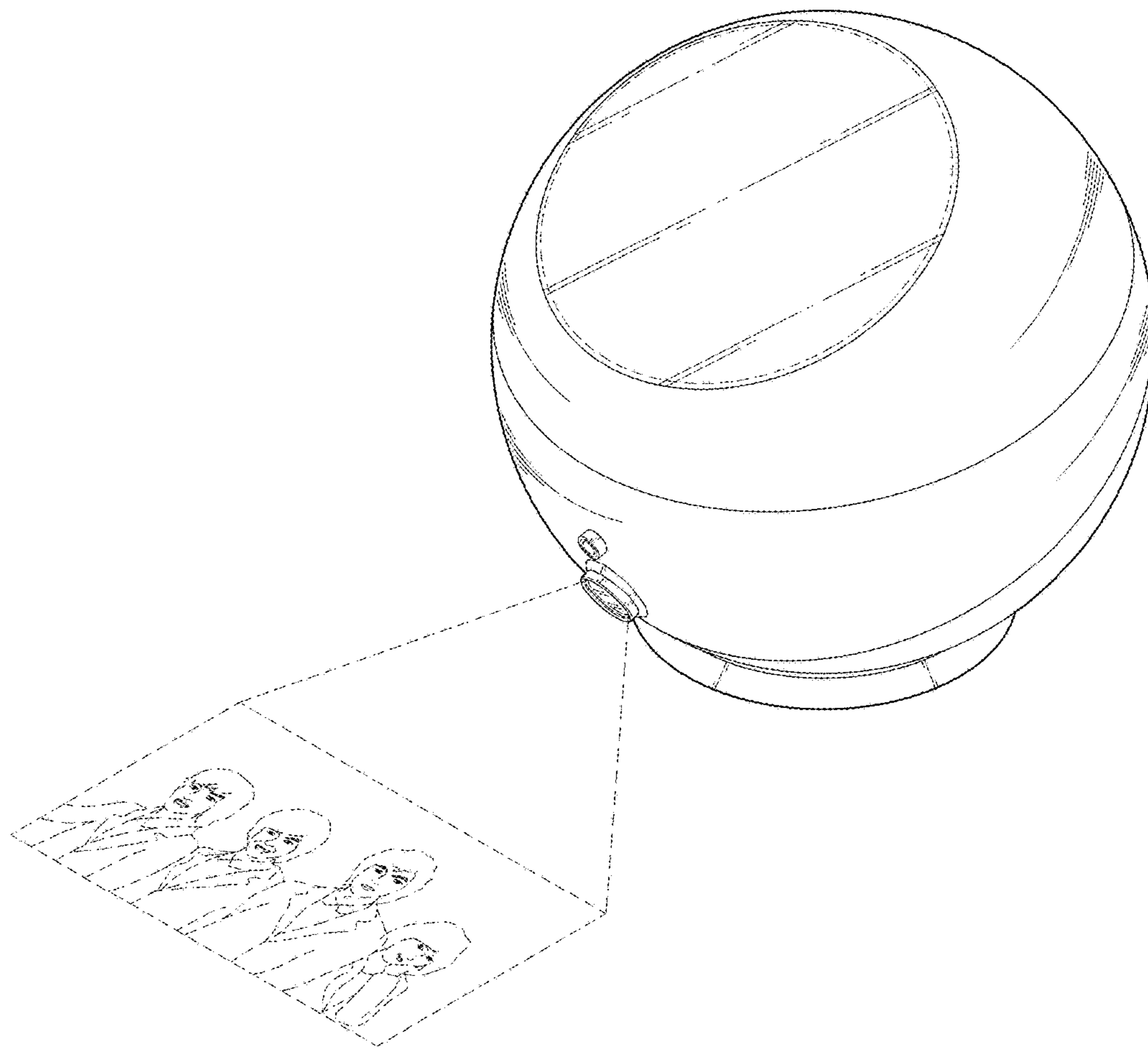


FIG. 8

