



US00D772967S

(12) **United States Design Patent**  
**Hinkel**

(10) **Patent No.:** **US D772,967 S**

(45) **Date of Patent:** **\*\* Nov. 29, 2016**

(54) **COMBINED SURVEILLANCE CAMERA AND HOUSING**

(71) Applicant: **Ralf Hinkel**, Horingen (DE)

(72) Inventor: **Ralf Hinkel**, Horingen (DE)

(73) Assignee: **MOBOTIX AG**, Winnweiler (DE)

(\*\*) Term: **15 Years**

(21) Appl. No.: **29/548,075**

(22) Filed: **Dec. 10, 2015**

**Related U.S. Application Data**

(62) Division of application No. 29/450,614, filed on Mar. 20, 2013, now Pat. No. Des. 759,142.

(30) **Foreign Application Priority Data**

Sep. 21, 2012 (DE) ..... 40 2012 004 445

(51) **LOC (10) Cl.** ..... **16-01**

(52) **U.S. Cl.**  
USPC ..... **D16/203**

(58) **Field of Classification Search**  
USPC ..... D16/200, 202-204, 207, 208, 210, 218, D16/219, 222; D12/400; 340/937; 348/143, 348/148, 151, 360, 373-376; 396/427, 429, 396/529, 535, 539-541; 359/826-828  
CPC ..... G03B 15/03; G03B 17/02; G03B 17/04; G03B 17/48; G03B 17/56; G03B 19/04; G08G 1/0175; H04N 5/2251; H04N 5/2252; H04N 5/2253; H04N 5/2254; H04N 2101/00  
See application file for complete search history.

(56) **References Cited**

**U.S. PATENT DOCUMENTS**

6,115,197 A 9/2000 Funahashi  
D455,166 S 4/2002 Raad et al.

6,860,654	B1	3/2005	Ching-Wen	
D523,057	S	6/2006	Watanabe	
D554,168	S	10/2007	Shi et al.	
D598,039	S	8/2009	Owada	
D610,186	S	2/2010	Jannard et al.	
D621,435	S *	8/2010	Green	D16/202
D629,435	S *	12/2010	Barley	D16/202
D664,580	S	7/2012	Sigward	
D666,660	S *	9/2012	Amit	D16/203
D680,142	S *	4/2013	Weiss	D16/200
D686,267	S *	7/2013	Mihara	D16/202
D690,346	S *	9/2013	Woolley	D16/200
D694,797	S *	12/2013	Parker	D16/202
D696,329	S *	12/2013	Horiki	D16/203
D702,750	S	4/2014	Yoon	
D704,759	S	5/2014	Park et al.	
D721,753	S *	1/2015	Park	D16/202
D730,967	S	6/2015	O'Neill et al.	
D730,968	S	6/2015	O'Neill et al.	
D750,681	S *	3/2016	Takami	D16/202
D751,129	S *	3/2016	Lellky	D16/203

\* cited by examiner

*Primary Examiner* — Susan E Krakower

*Assistant Examiner* — Ramzi Almatrahi

(74) *Attorney, Agent, or Firm* — Salter & Michaelson

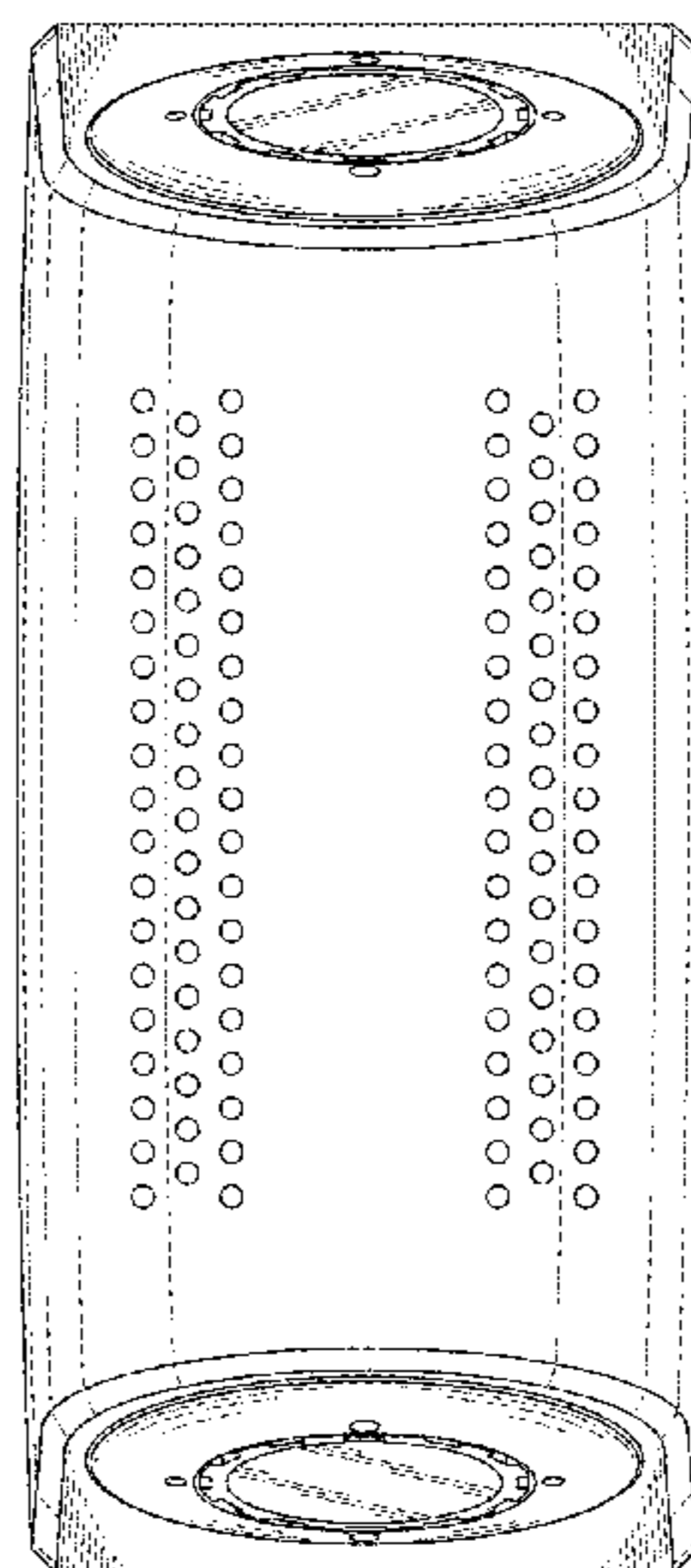
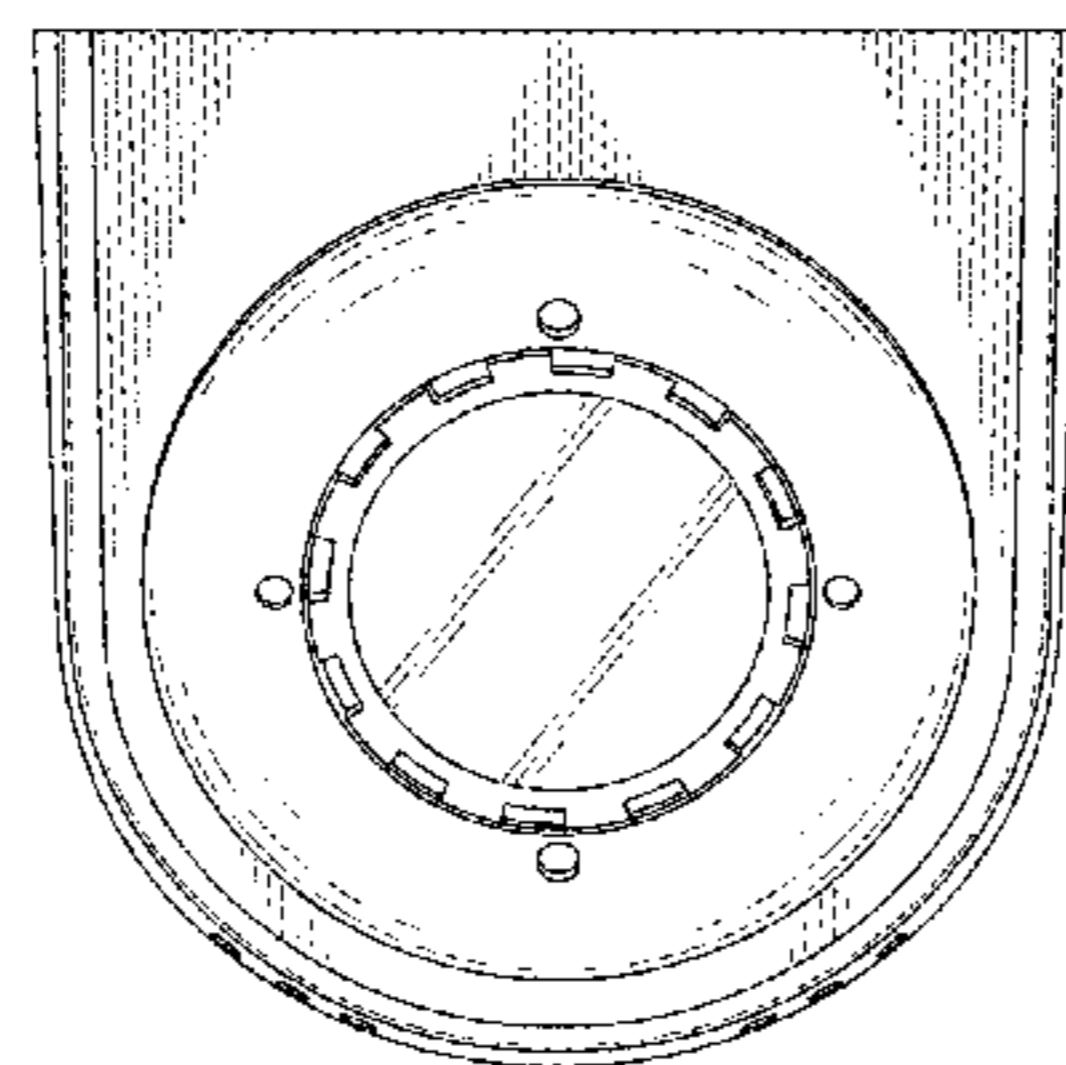
(57) **CLAIM**

The ornamental design for a combined surveillance camera and housing, as shown and described.

**DESCRIPTION**

FIG. 1 is a front elevational view of a combined surveillance camera and housing;  
FIG. 2 is a rear elevational view thereof;  
FIG. 3 is a left side elevational view thereof;  
FIG. 4 is a right side elevational view thereof;  
FIG. 5 is a top plan view thereof; and,  
FIG. 6 is a bottom plan view thereof.  
The broken lines depict portions of a combined surveillance camera and housing in which the design is embodied and form no part of the claimed design.

**1 Claim, 6 Drawing Sheets**



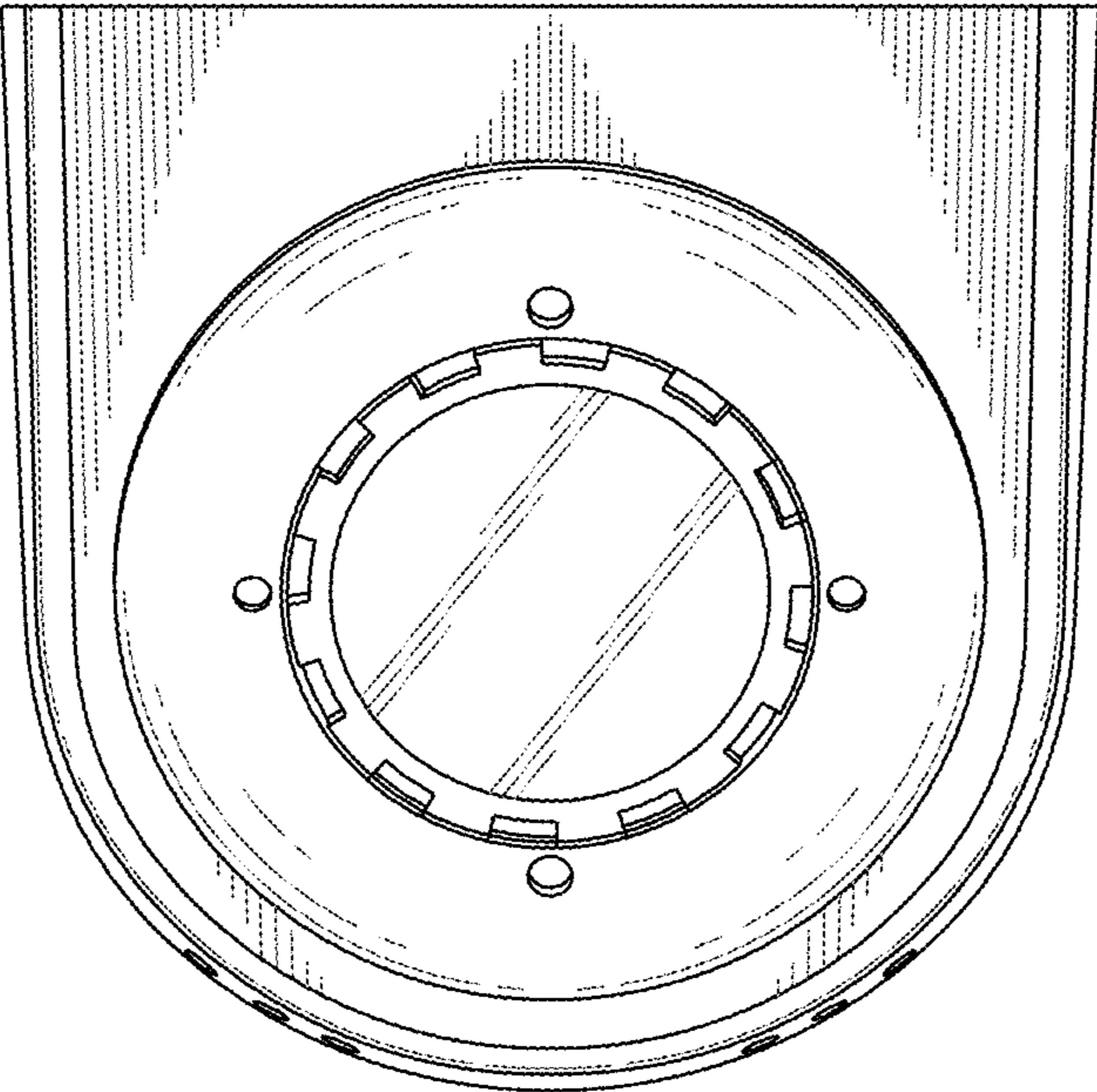


FIG. 1

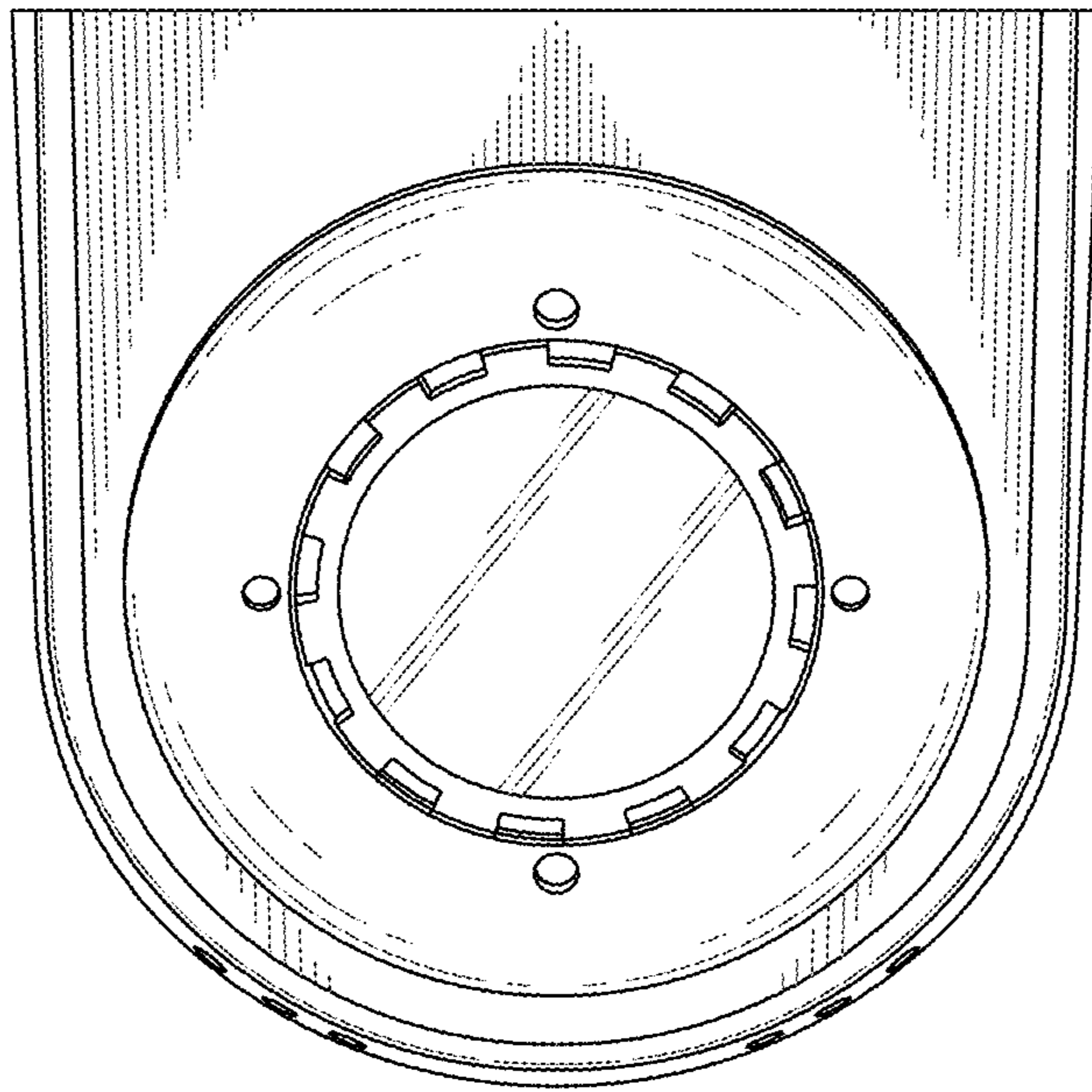


FIG. 2

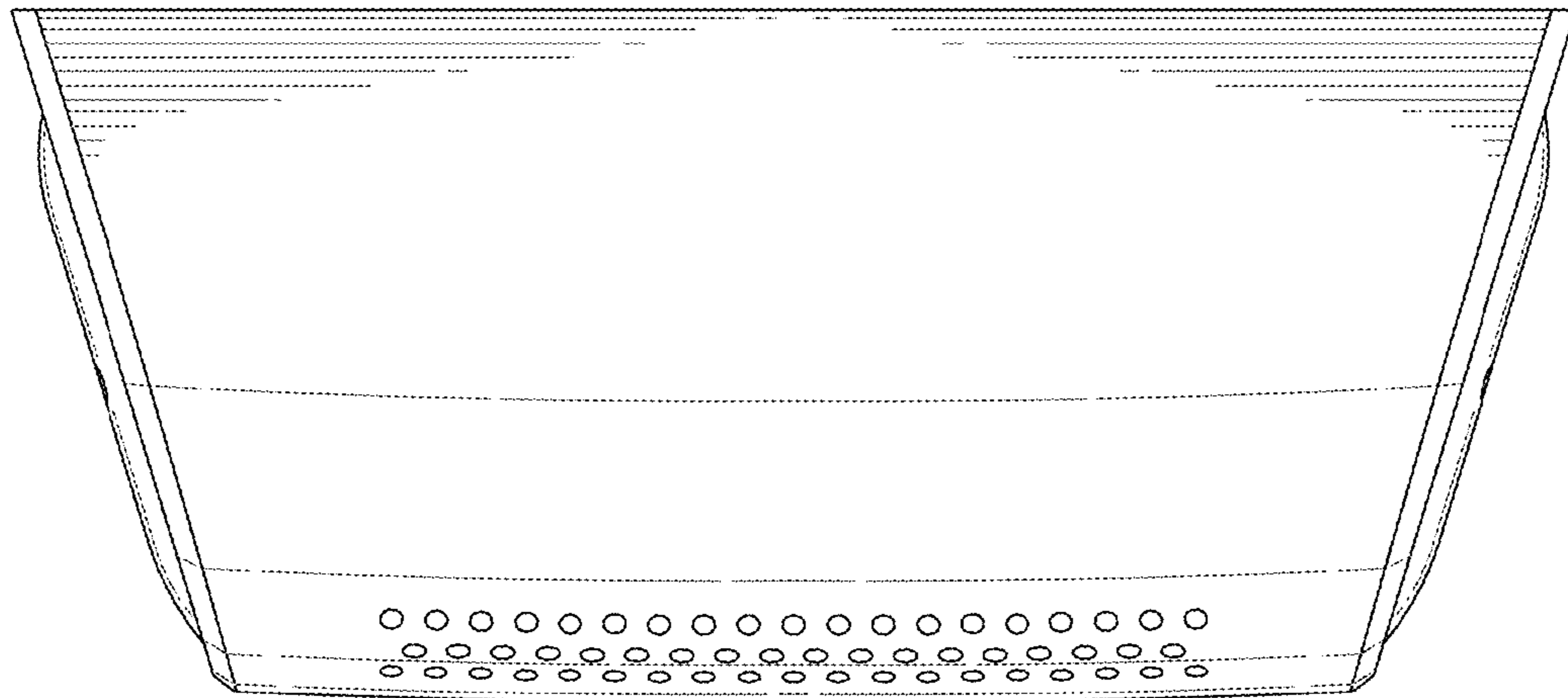


FIG. 3

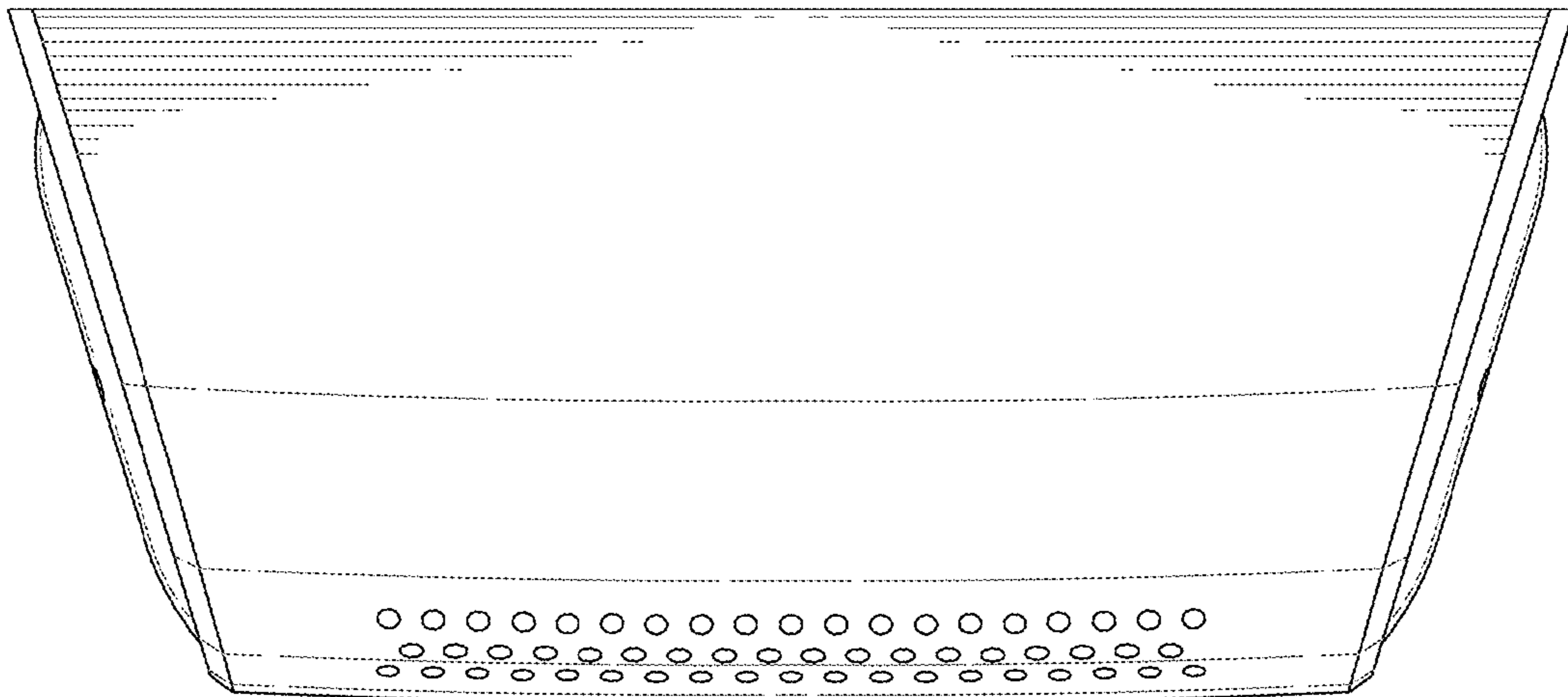


FIG. 4

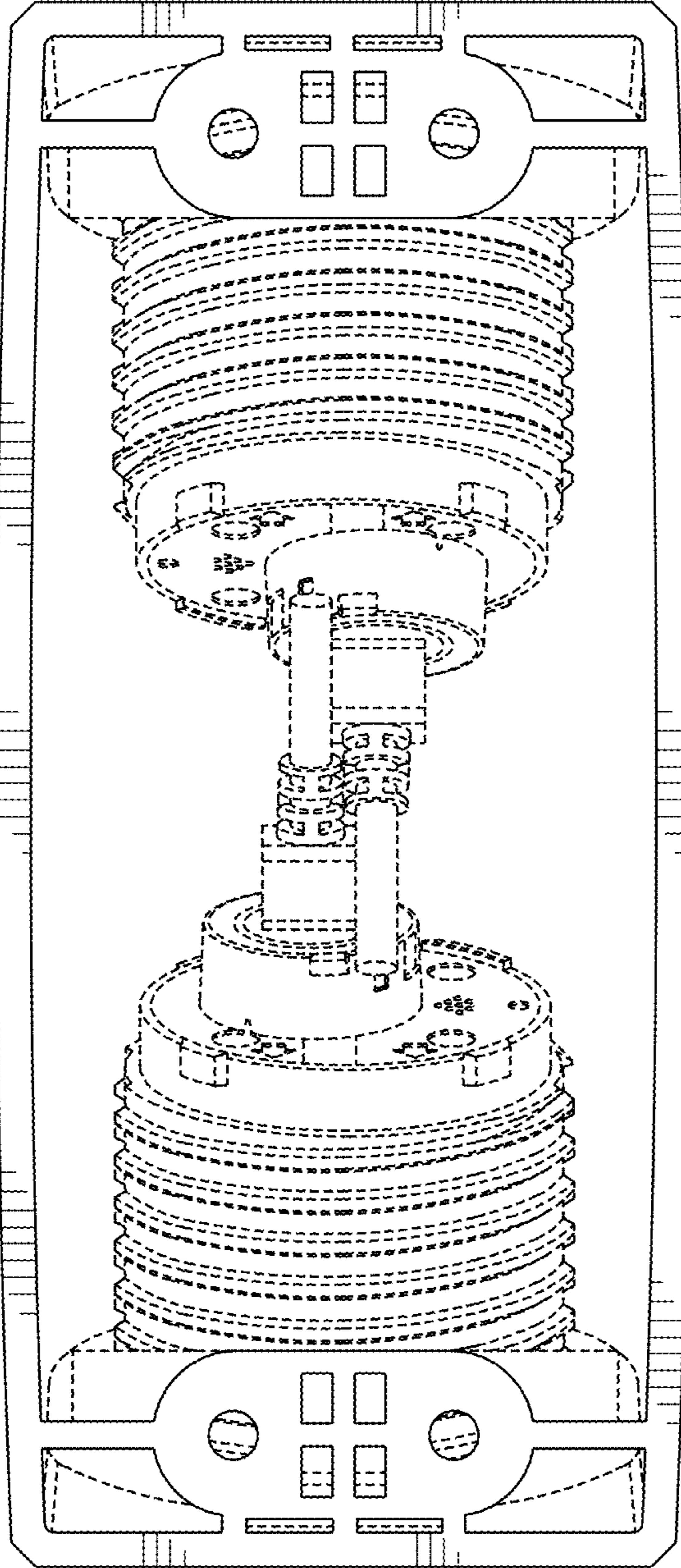


FIG. 5

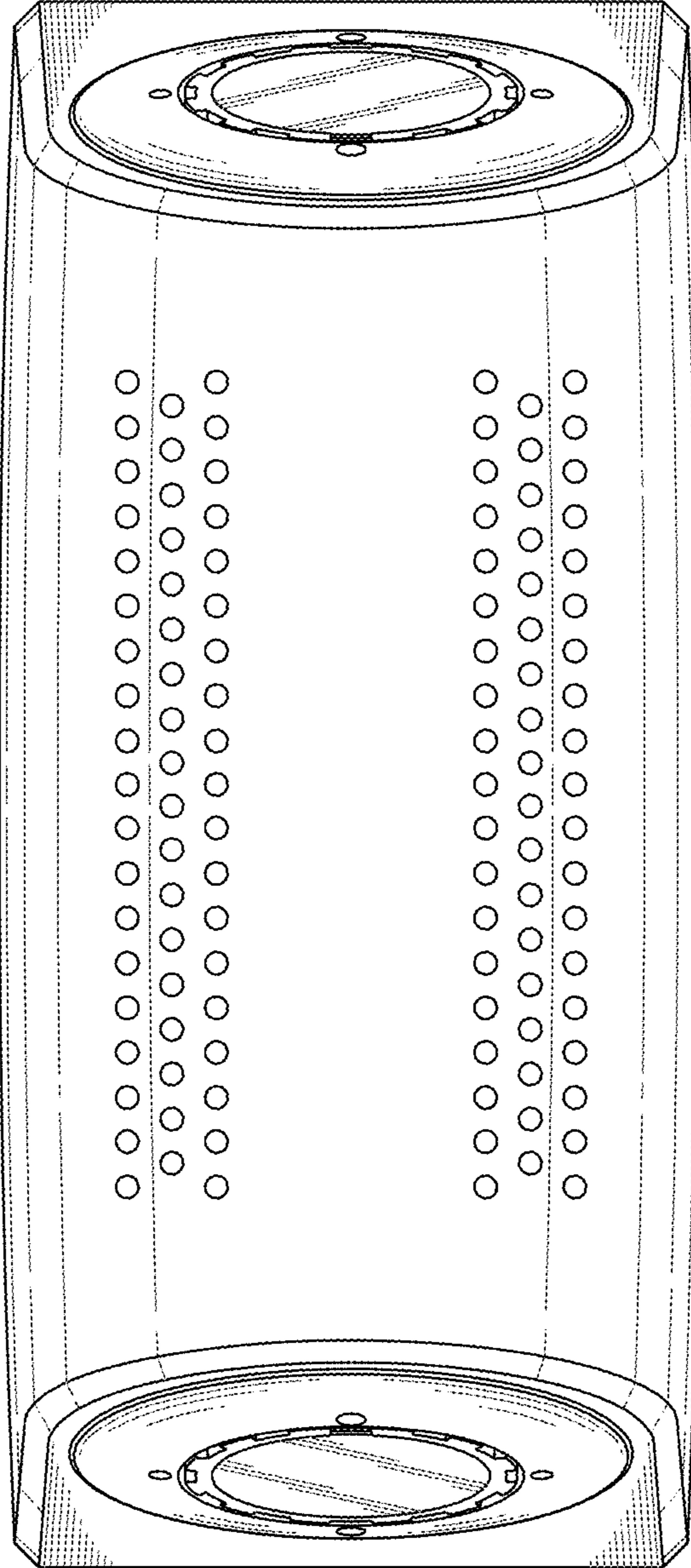


FIG. 6