



US00D772965S

(12) **United States Design Patent**  
**Westlake et al.**

(10) **Patent No.:** **US D772,965 S**

(45) **Date of Patent:** **\*\* Nov. 29, 2016**

(54) **PORTABLE WELDING POWER SUPPLY  
WITH DETACHABLE WIRE FEEDER**

(71) Applicant: **MK Products, Inc.**, Irvine, CA (US)

(72) Inventors: **Christopher A. Westlake**, Silverado,  
CA (US); **Matthew A. Fiore**, Rancho  
Santa Margarita, CA (US)

(73) Assignee: **MK Products, Inc.**, Irvine, CA (US)

(\*\*) Term: **15 Years**

(21) Appl. No.: **29/539,265**

(22) Filed: **Sep. 11, 2015**

(51) **LOC (10) Cl.** ..... **15-09**

(52) **U.S. Cl.**  
USPC ..... **D15/144**

(58) **Field of Classification Search**  
USPC ..... D15/144, 144.1, 144.2  
See application file for complete search history.

(56) **References Cited**

**U.S. PATENT DOCUMENTS**

2,808,498 A	10/1957	Hudson et al.	
3,143,633 A	8/1964	Wadleigh	
3,176,932 A	4/1965	Kovaleski	
3,305,664 A	2/1967	Kensrue	
D207,977 S	6/1967	Kensrue	
3,334,841 A	8/1967	Burhop	
3,395,308 A	7/1968	Meyer	
3,488,468 A	1/1970	Carbone	
3,562,577 A	2/1971	Kensrue	
3,689,733 A	9/1972	Matasovic	
3,738,588 A	6/1973	Ayers	
3,744,694 A	7/1973	Karnes et al.	
3,775,584 A	11/1973	Moerke	
D243,669 S *	3/1977	Webster	D12/101
4,072,828 A	2/1978	Thome	
4,131,783 A	12/1978	Kensrue et al.	
4,430,551 A	2/1984	Toth	
4,438,317 A	3/1984	Ueguri et al.	

D275,292 S *	8/1984	Bouman	D15/144
D275,293 S *	8/1984	Bouman	D15/144
4,475,028 A	10/1984	McGuire, Jr. et al.	
4,510,373 A	4/1985	Cox et al.	
D280,329 S *	8/1985	Bouman	D15/144
4,549,068 A	10/1985	Kensrue	
4,608,482 A	8/1986	Cox et al.	
4,782,204 A	11/1988	Gartland	
4,845,336 A	7/1989	Samokovliski et al.	
4,885,453 A	12/1989	Martin	
4,954,690 A	9/1990	Kensrue	
4,963,715 A	10/1990	Tuttle	
4,973,821 A	11/1990	Martin	

(Continued)

*Primary Examiner* — Patricia Palasik

(74) *Attorney, Agent, or Firm* — Stetina Brunda Garred & Brucker

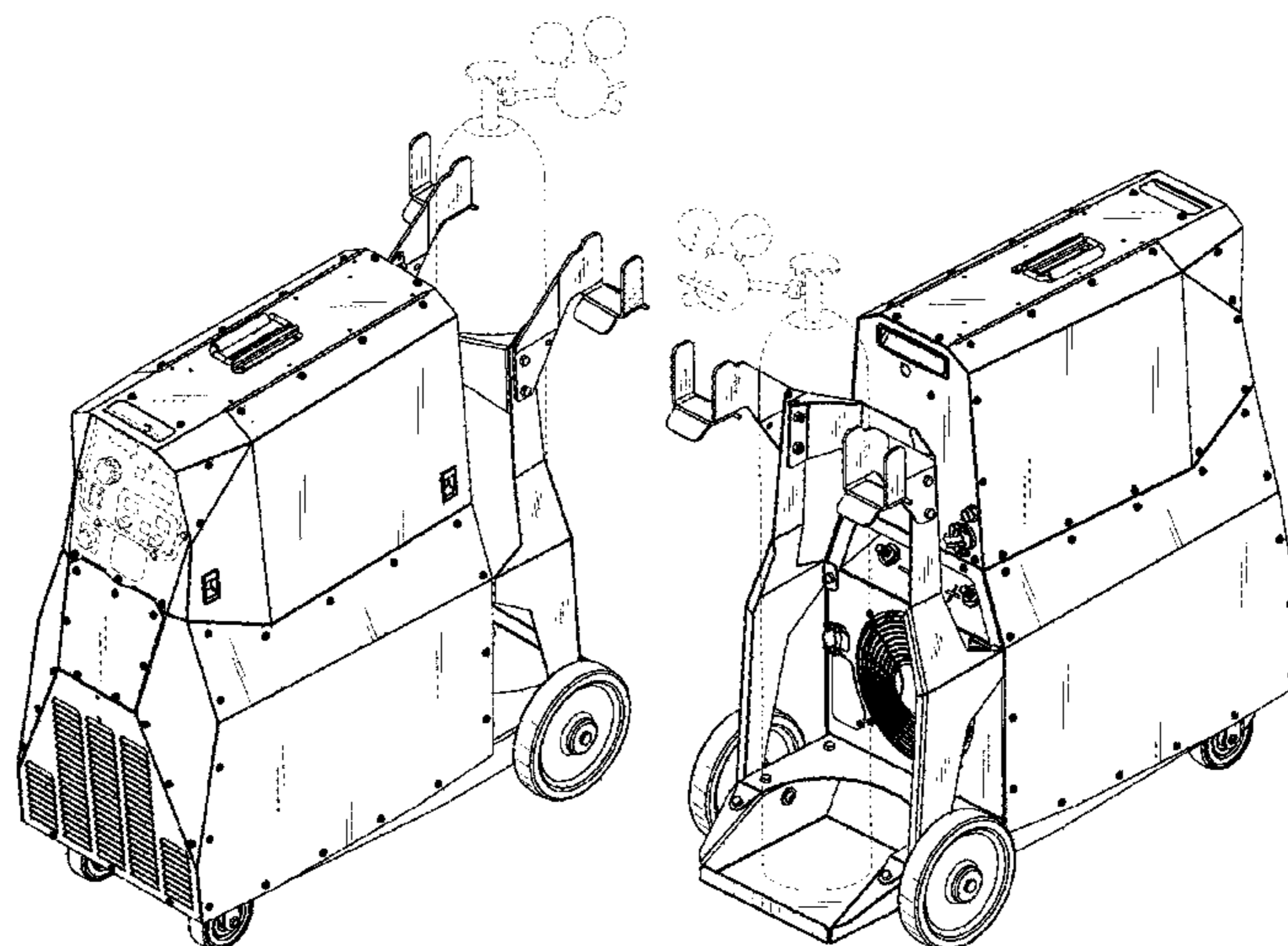
(57) **CLAIM**

The ornamental design for a portable welding power supply with detachable wire feeder, as shown and described.

**DESCRIPTION**

FIG. 1 is a front perspective view of the assembled portable welding power supply with detachable wire feeder of the present invention showing our new design; FIG. 2 is a rear perspective view thereof; FIG. 3 is a front elevational view thereof; FIG. 4 is a left side elevational view thereof; FIG. 5 is a rear elevational view thereof; FIG. 6 is a right side elevational view thereof; FIG. 7 is a top plan view thereof; FIG. 8 is a bottom plan view thereof; FIG. 9 is an exploded front perspective view depicting the portable welding power supply with detachable wire feeder mechanism of the present invention with the wire feeder detached from the portable welding power supply; and, FIG. 10 is an exploded rear perspective view of FIG. 9. The broken lines in the drawings depict unclaimed environmental subject matter.

**1 Claim, 5 Drawing Sheets**



(56)

**References Cited**

U.S. PATENT DOCUMENTS

D329,179 S 9/1992 Kensrue  
 5,264,679 A 11/1993 Martin  
 5,488,217 A 1/1996 Ni  
 5,595,671 A 1/1997 David  
 5,725,175 A 3/1998 Thundathil  
 5,728,995 A 3/1998 Kensrue  
 D416,030 S \* 11/1999 Weller ..... D15/144.1  
 6,064,036 A 5/2000 Kensrue  
 RE36,997 E 12/2000 Kensrue  
 6,225,599 B1 5/2001 Altekruise  
 6,271,497 B1 8/2001 Zapletal  
 6,478,246 B2 11/2002 Fabringer  
 7,034,250 B2 4/2006 Kensrue  
 7,038,168 B2 5/2006 Kensrue et al.

D550,731 S \* 9/2007 Ishihara ..... D15/144.2  
 D558,803 S \* 1/2008 Gisler ..... D15/144  
 D621,430 S \* 8/2010 Christen ..... D15/144  
 D626,576 S \* 11/2010 Gramatyka ..... D15/144  
 D629,028 S \* 12/2010 Johnson ..... D15/144  
 D631,074 S \* 1/2011 Peters ..... D15/144  
 D642,604 S \* 8/2011 Rohrer ..... D15/144  
 D652,436 S \* 1/2012 Ostlund ..... D15/144  
 D654,519 S \* 2/2012 Wujczak ..... D15/144  
 D665,833 S \* 8/2012 Raymond ..... D15/144  
 D679,738 S \* 4/2013 Segala ..... D15/144  
 D742,444 S \* 11/2015 Leach ..... D15/144  
 D752,665 S \* 3/2016 Kindig ..... D15/144  
 D752,666 S \* 3/2016 Ge ..... D15/144  
 2013/0228556 A1 \* 9/2013 Segala ..... B23K 10/00  
 219/121.39

\* cited by examiner

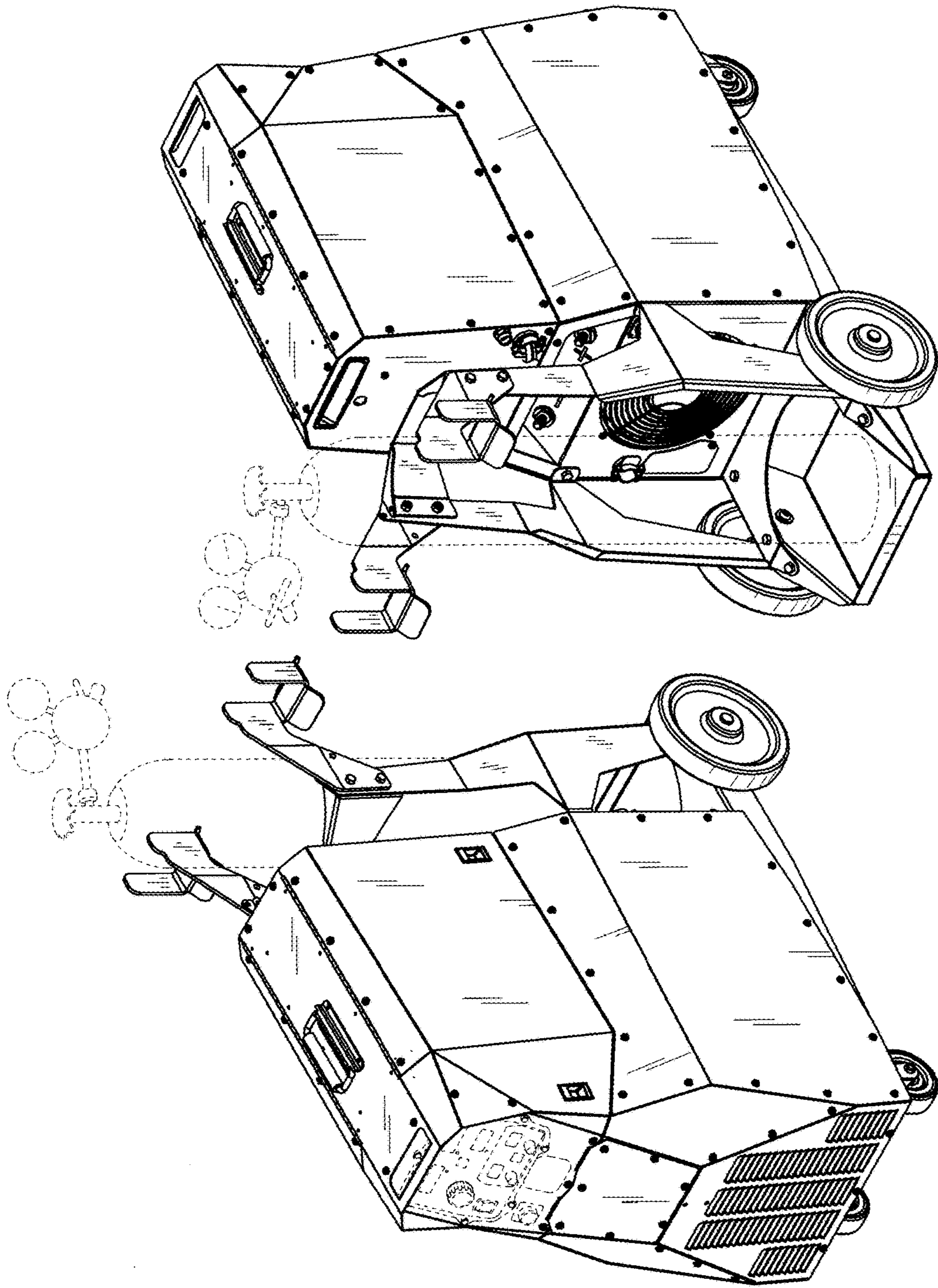


FIG. 2

FIG. 1

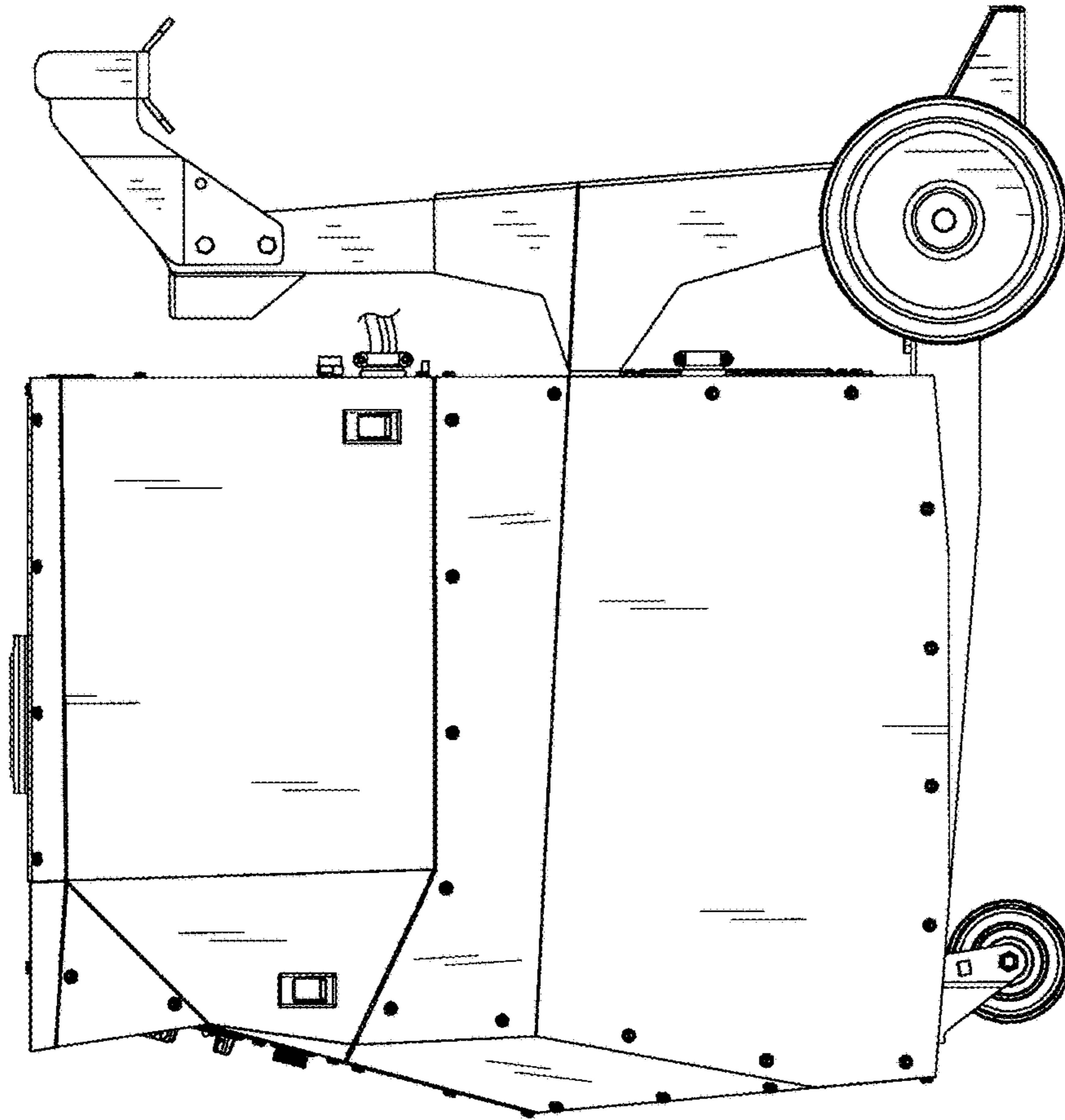


FIG. 4

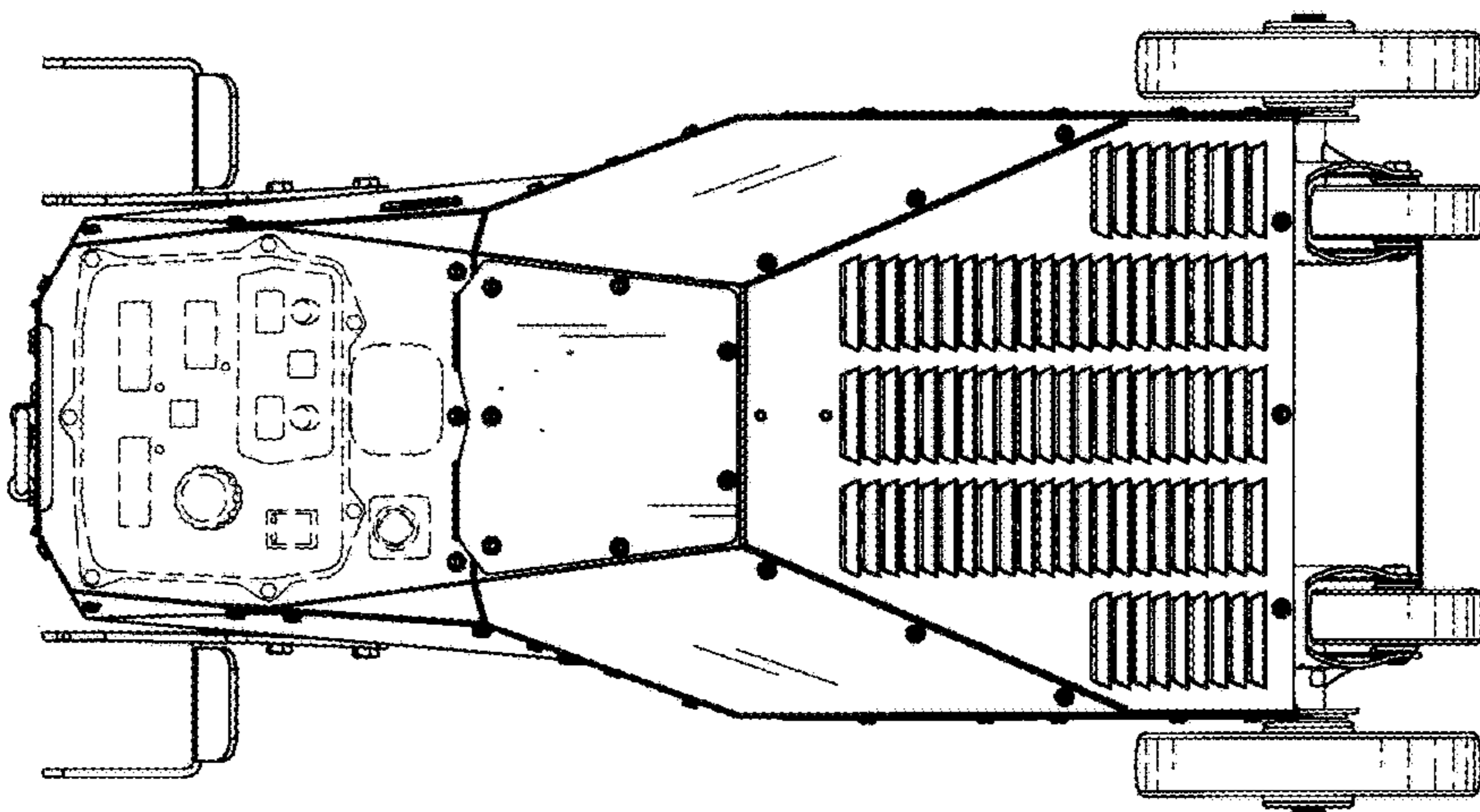


FIG. 3

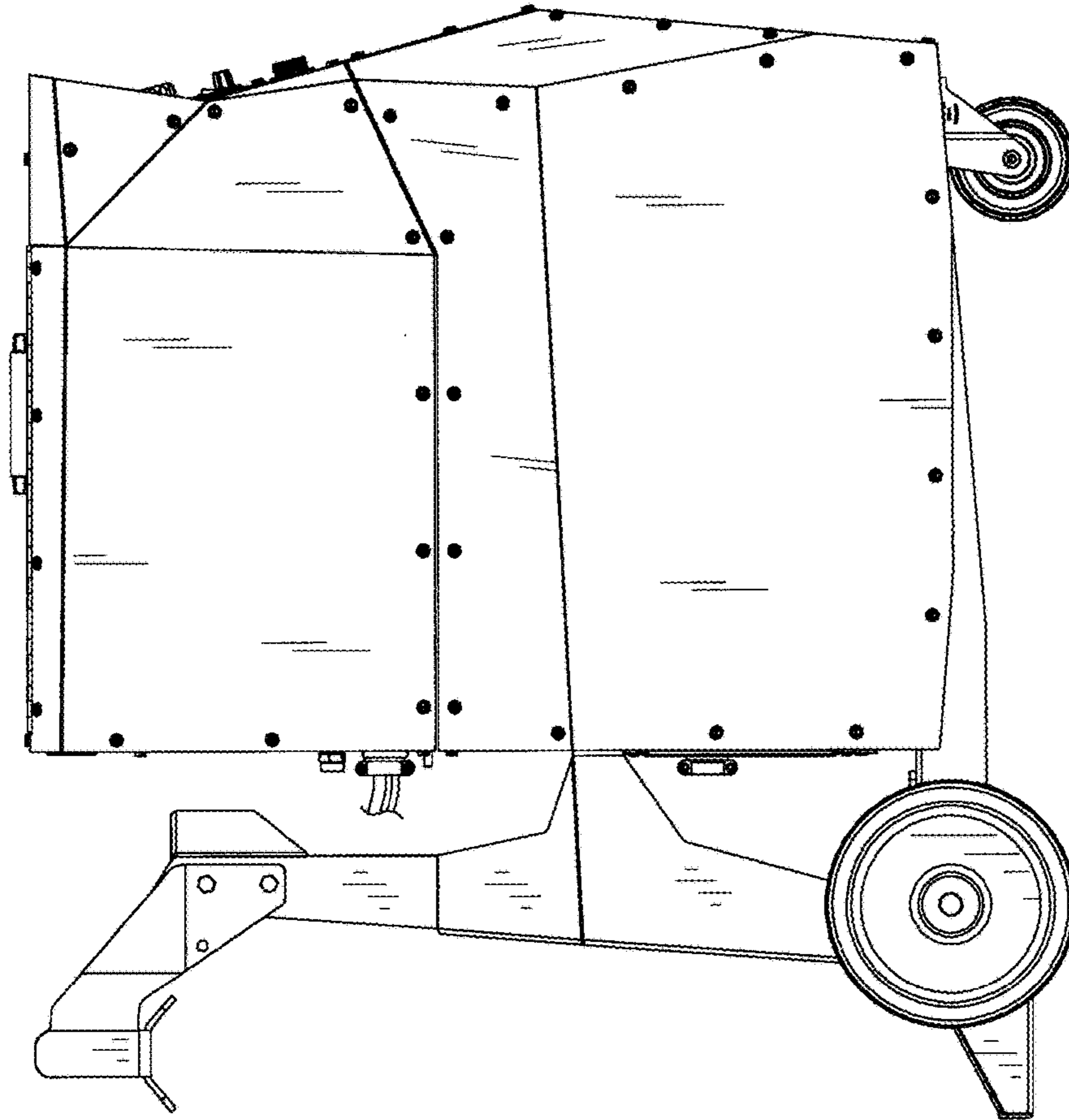


FIG. 6

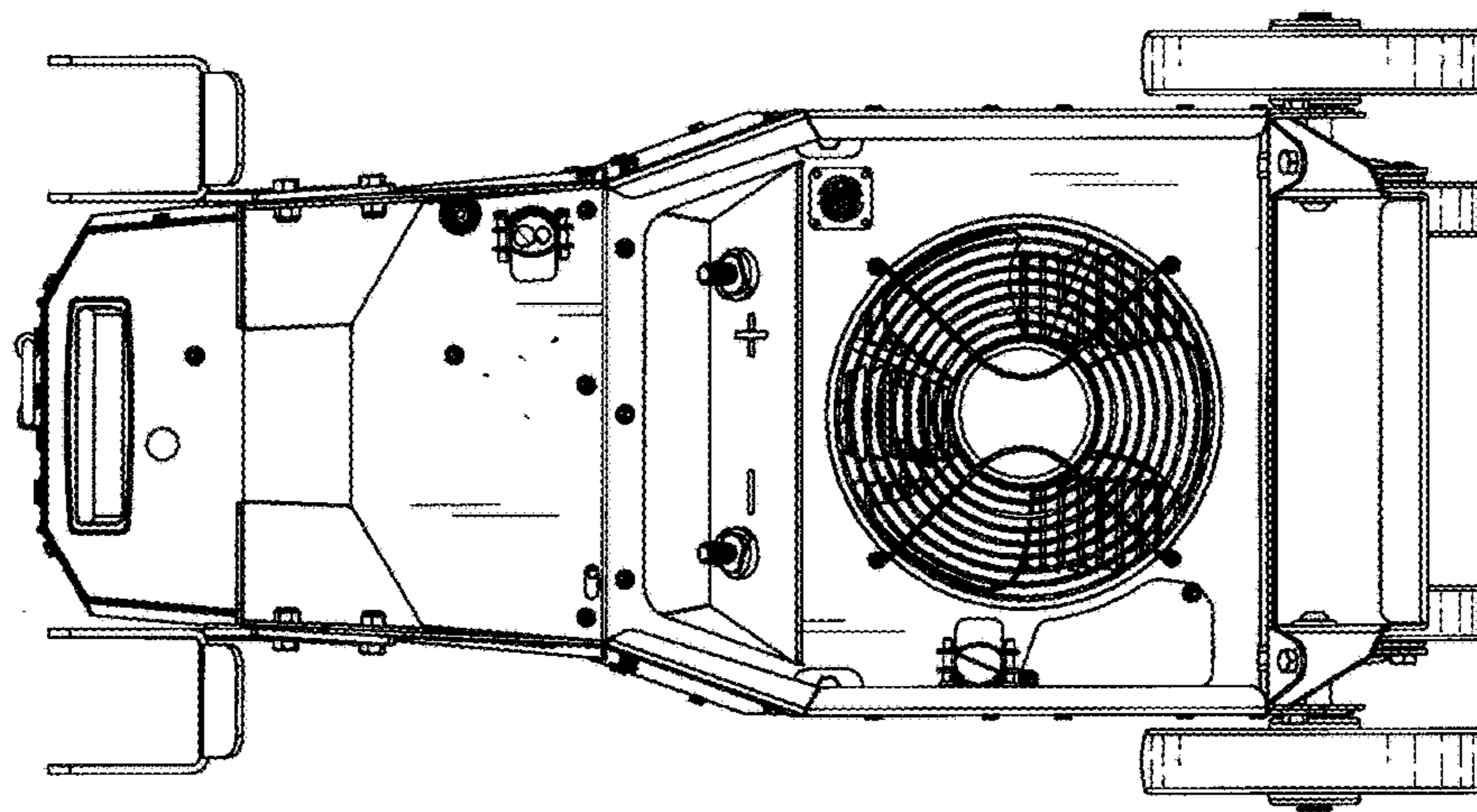


FIG. 5

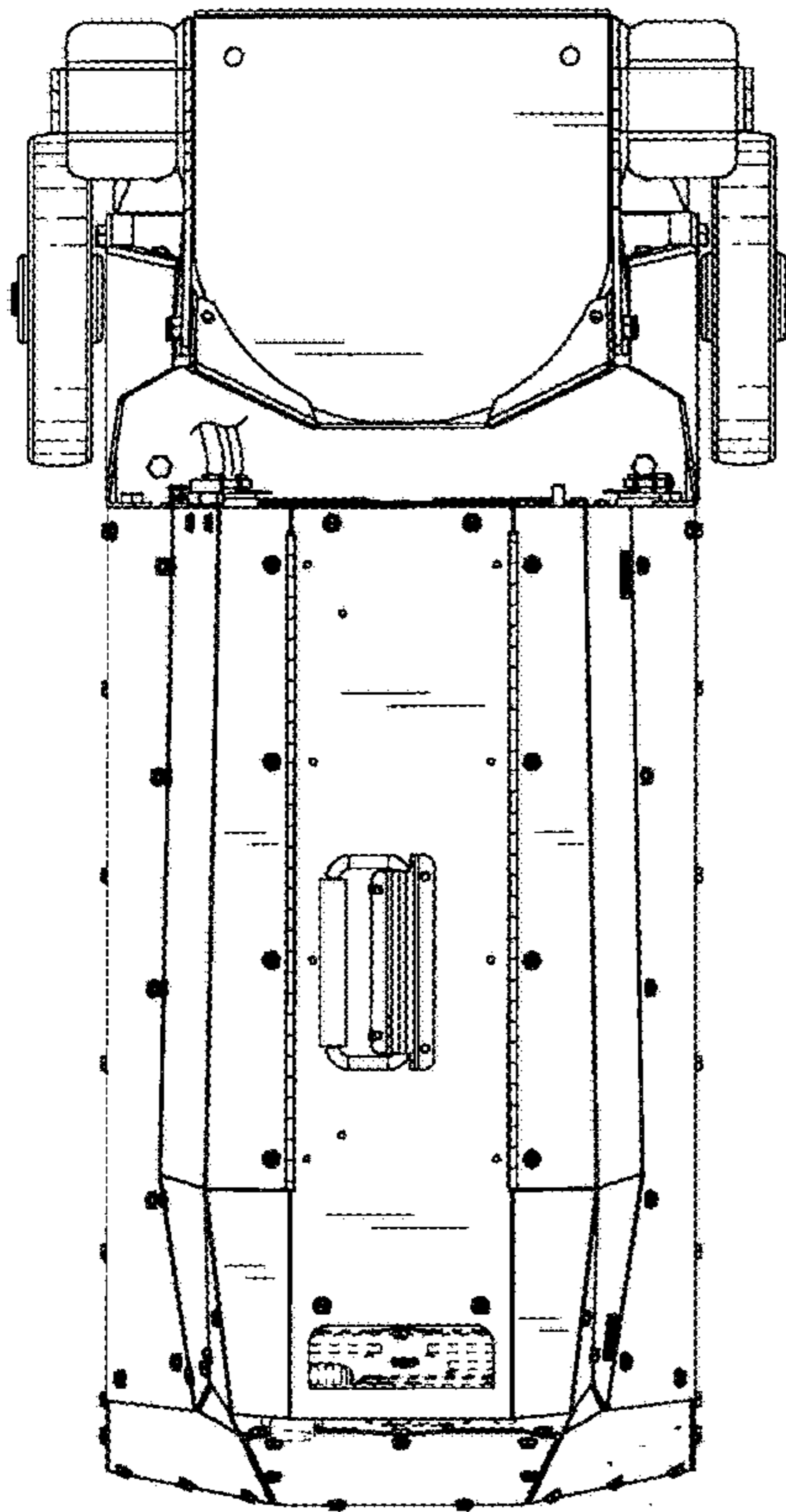


FIG. 7

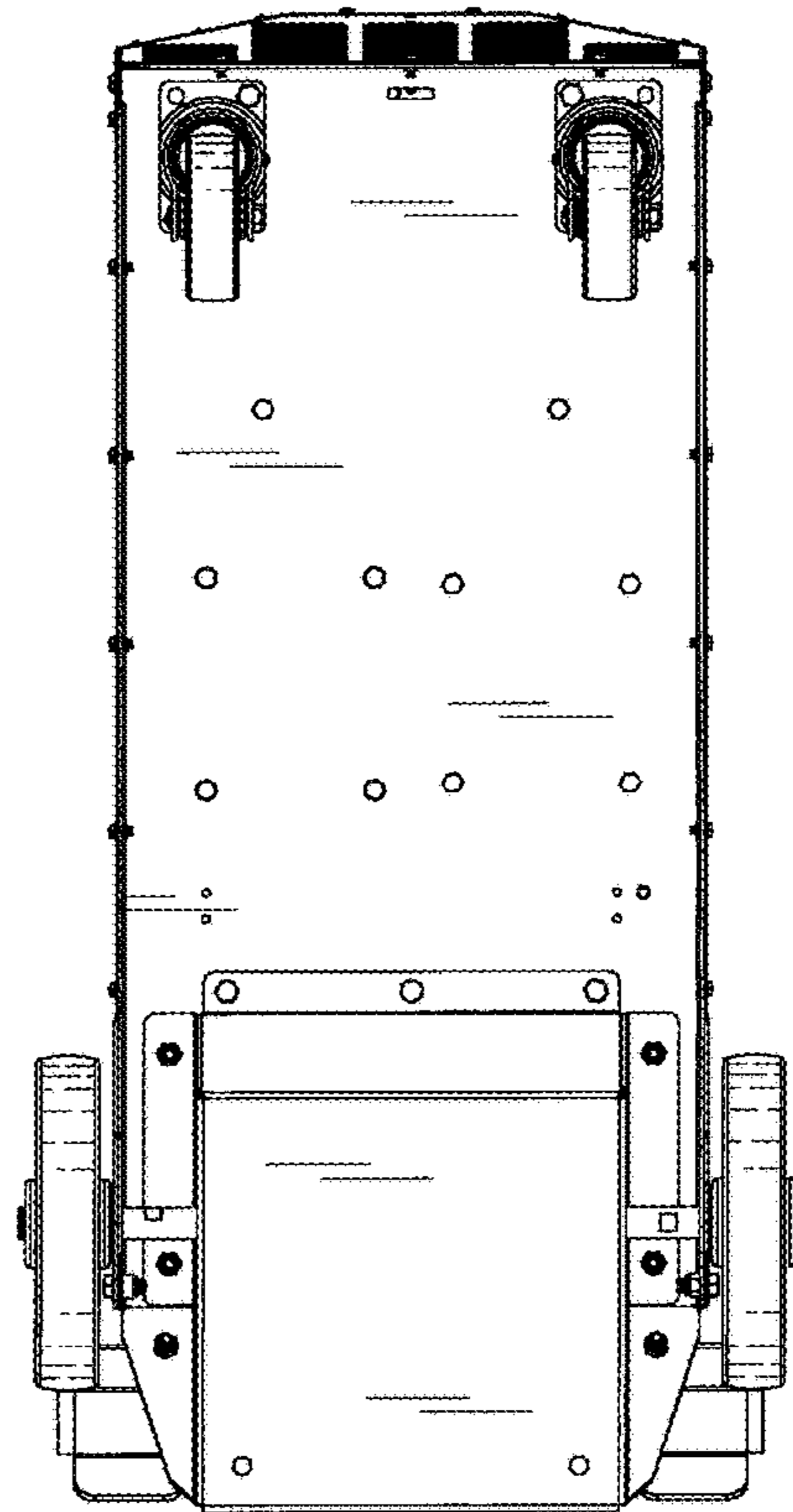


FIG. 8

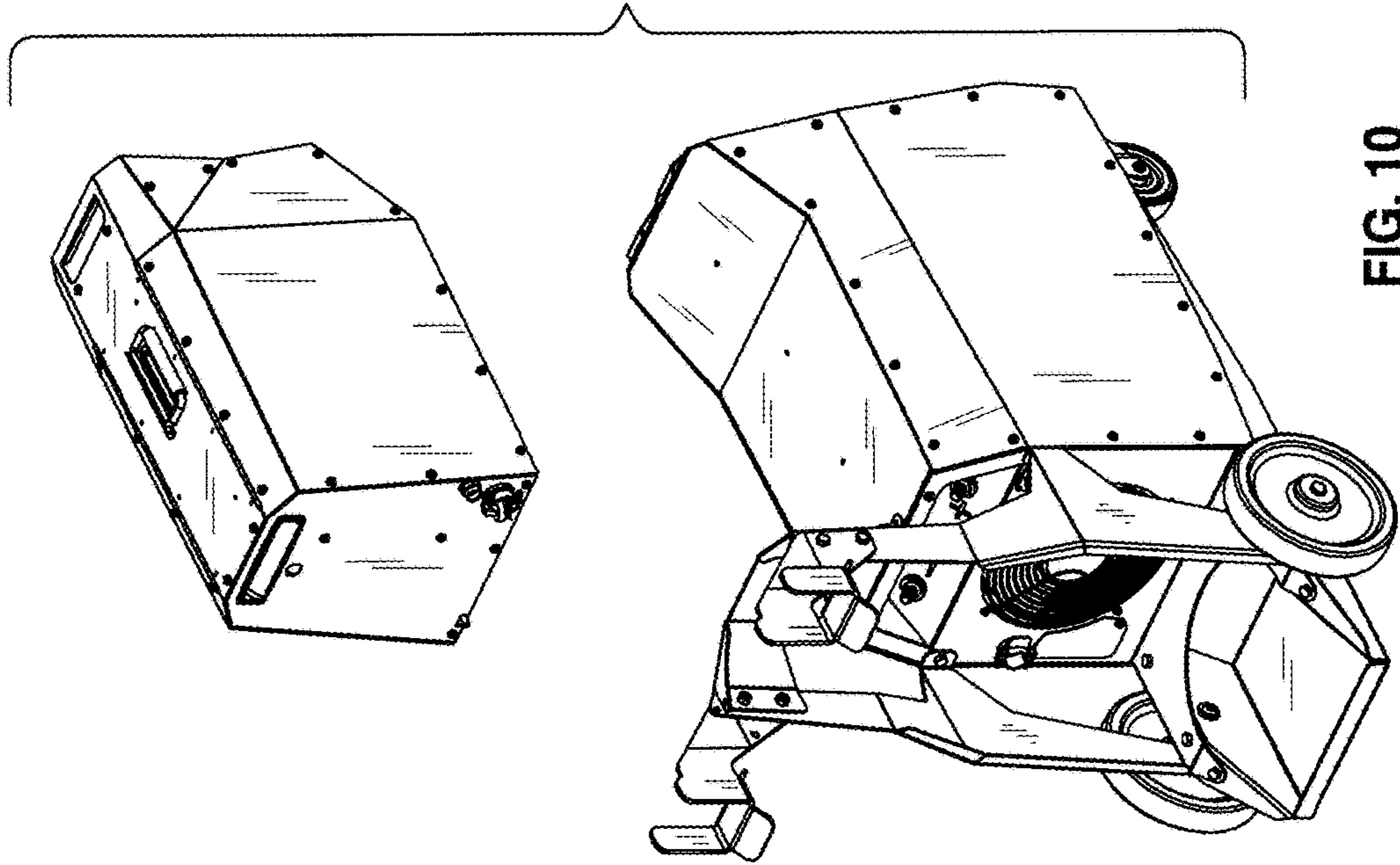


FIG. 10

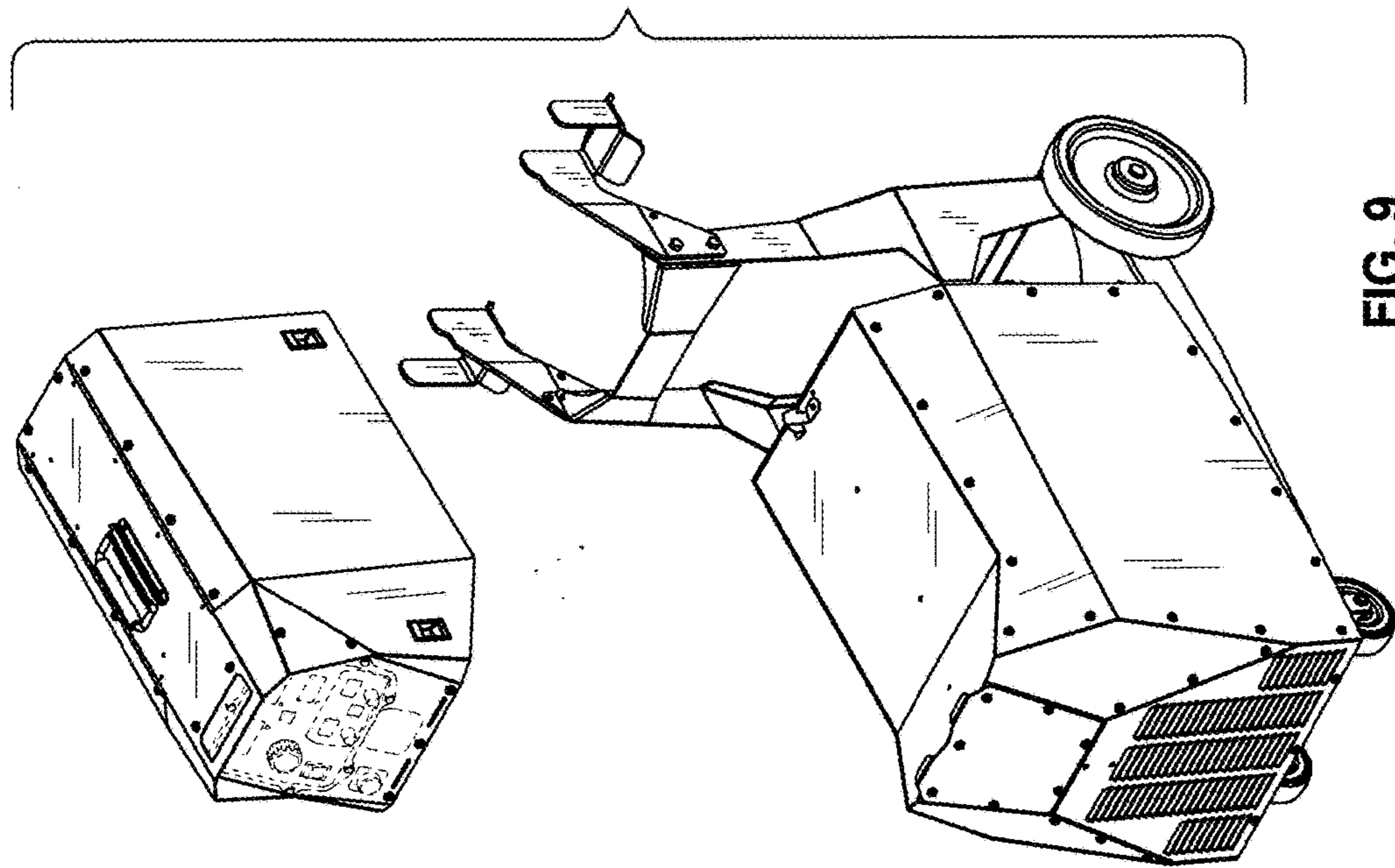


FIG. 9