



US00D772963S

(12) **United States Design Patent** (10) **Patent No.:** **US D772,963 S**
Nam et al. (45) **Date of Patent:** **** Nov. 29, 2016**

(54) **CUTTING INSERT**
(71) Applicant: **KORLOY INC.**, Seoul (KR)
(72) Inventors: **Ki-Chan Nam**, Cheongju-si (KR);
Kwan Hee Lee, Cheongju-si (KR);
Young Heum Kim, Cheongju-si (KR)
(73) Assignee: **KORLOY INC.**, Seoul (KR)
(**) Term: **15 Years**
(21) Appl. No.: **29/532,981**
(22) Filed: **Jul. 13, 2015**

(30) **Foreign Application Priority Data**

Jan. 22, 2015 (KR) 30-2015-0003439

(51) **LOC (10) Cl.** **15-09**
(52) **U.S. Cl.**
USPC **D15/139**
(58) **Field of Classification Search**
USPC D8/20, 70; D15/126, 131, 138, 139,
D15/140
See application file for complete search history.

(56) **References Cited**

U.S. PATENT DOCUMENTS

D344,276 S * 2/1994 Markusson D15/139
D389,496 S * 1/1998 Muren D15/139
D393,270 S * 4/1998 Muren D15/139
D395,663 S * 6/1998 Muren D15/139
D425,086 S * 5/2000 Bernadic D15/139
D426,245 S * 6/2000 Bernadic D15/139
D429,261 S * 8/2000 Hartlohner D15/139
D431,579 S * 10/2000 Hartlohner D15/139
D436,608 S * 1/2001 Hartlohner D15/139
D448,393 S * 9/2001 Hartlohner D15/139
D481,048 S * 10/2003 Brockett D15/139
D485,852 S * 1/2004 Arvidsson D15/139
D487,281 S * 3/2004 Roman D15/139

D487,755 S * 3/2004 Kasperik D15/139
D487,759 S * 3/2004 Kasperik D15/139
D488,175 S * 4/2004 Kasperik D15/139
D488,176 S * 4/2004 Kasperik D15/139
D503,181 S * 3/2005 Kasperik D15/139
D522,025 S * 5/2006 Niebauer D15/139
D523,039 S * 6/2006 Niebauer D15/139
D523,040 S * 6/2006 Niebauer D15/139
D550,730 S * 9/2007 Nicholas D15/140
D555,684 S * 11/2007 Waggle D15/139
D635,598 S * 4/2011 Widin D15/139
D637,214 S * 5/2011 Saito D15/139
D638,041 S * 5/2011 Saito D15/139
D688,716 S * 8/2013 Lampe D15/139
D710,917 S * 8/2014 Jung D15/139
D714,849 S * 10/2014 Choi D15/139
D736,841 S * 8/2015 Jung D15/139
D744,557 S * 12/2015 Koike D15/139
D748,703 S * 2/2016 Nam D15/139
D752,664 S * 3/2016 Jung D15/139
D755,267 S * 5/2016 Lee D15/139

* cited by examiner

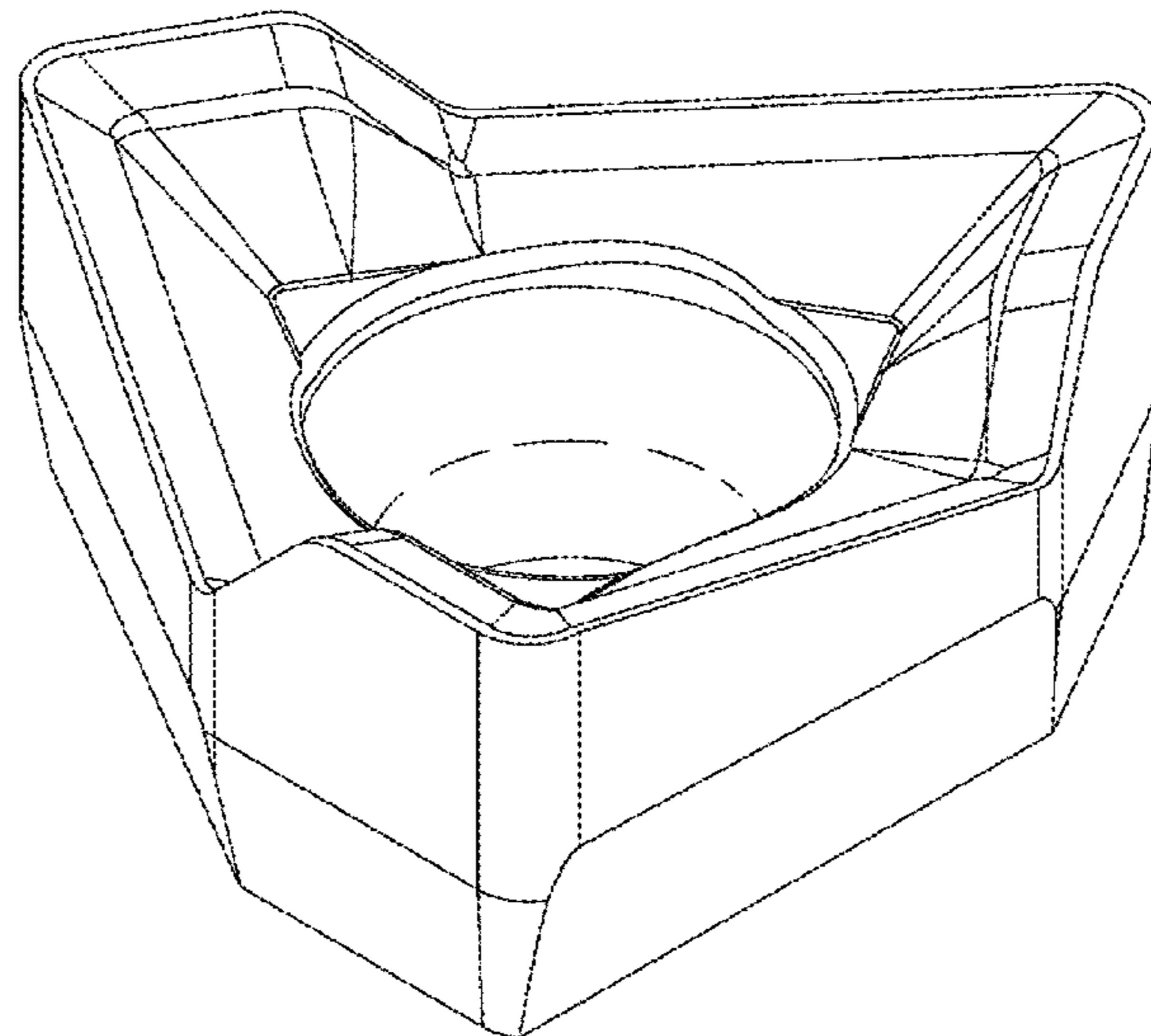
Primary Examiner — Patricia Palasik
(74) *Attorney, Agent, or Firm* — Rabin & Berdo, P.C.

(57) **CLAIM**
The ornamental design for a cutting insert, as shown and described.

DESCRIPTION

FIG. 1 is a perspective view of a cutting insert showing my new design;
FIG. 2 is a front elevational view thereof;
FIG. 3 is a rear elevational view thereof;
FIG. 4 is a left side elevational view thereof;
FIG. 5 is a right side elevational view thereof;
FIG. 6 is a top plan view thereof; and,
FIG. 7 is a bottom plan view thereof.
The broken lines in the drawings depict unclaimed environmental subject matter.

1 Claim, 7 Drawing Sheets



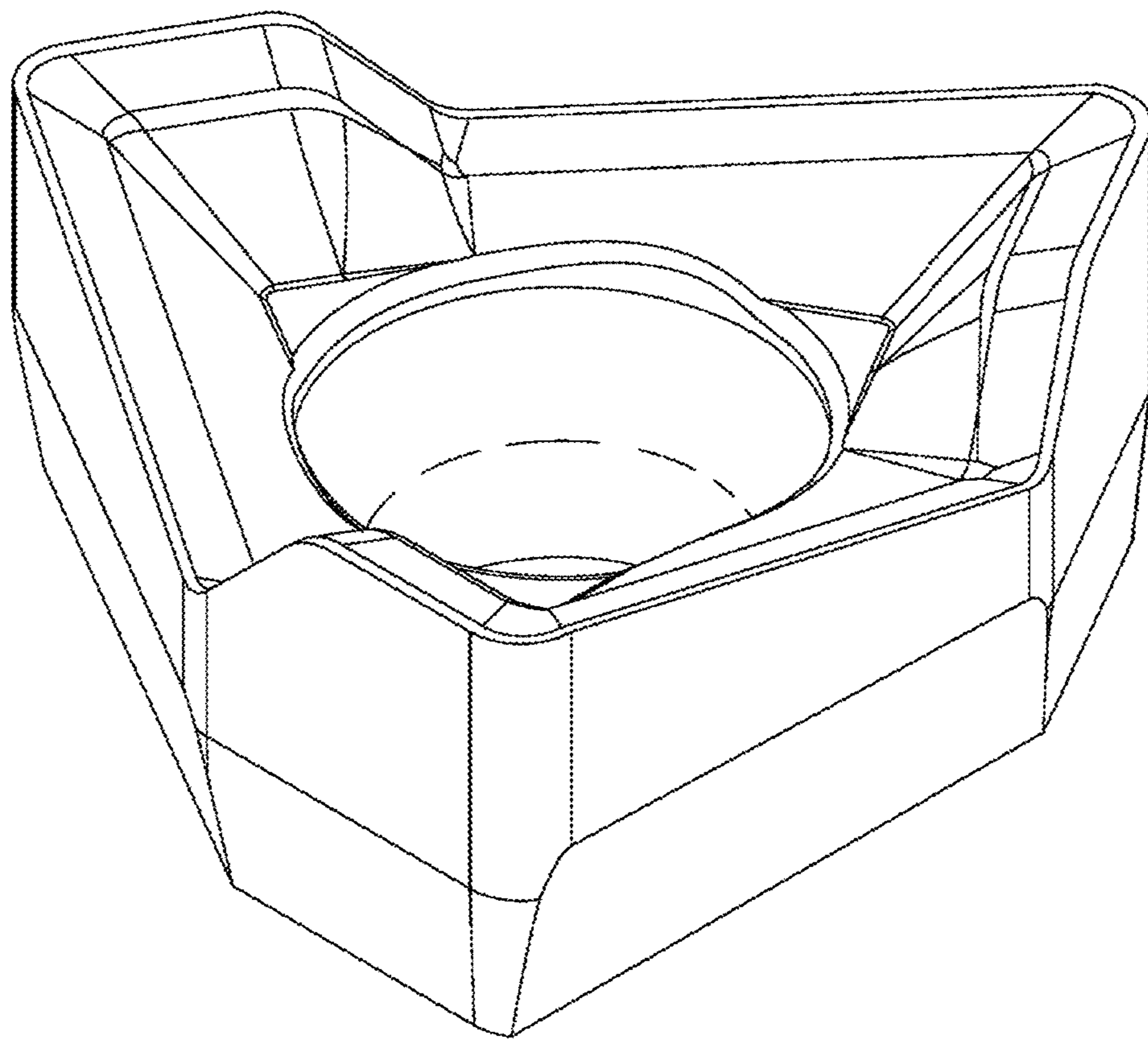


FIG. 1

FIG. 2

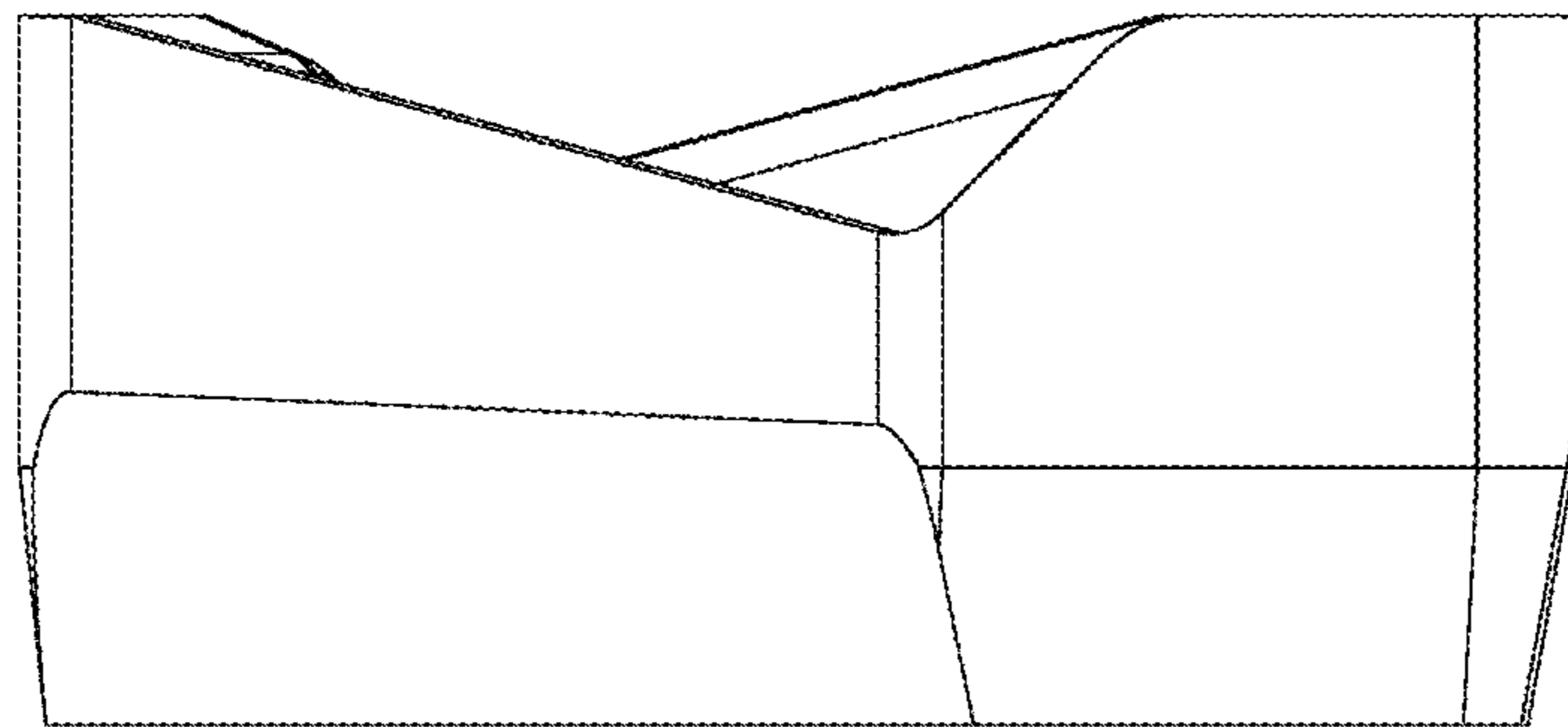


FIG. 3

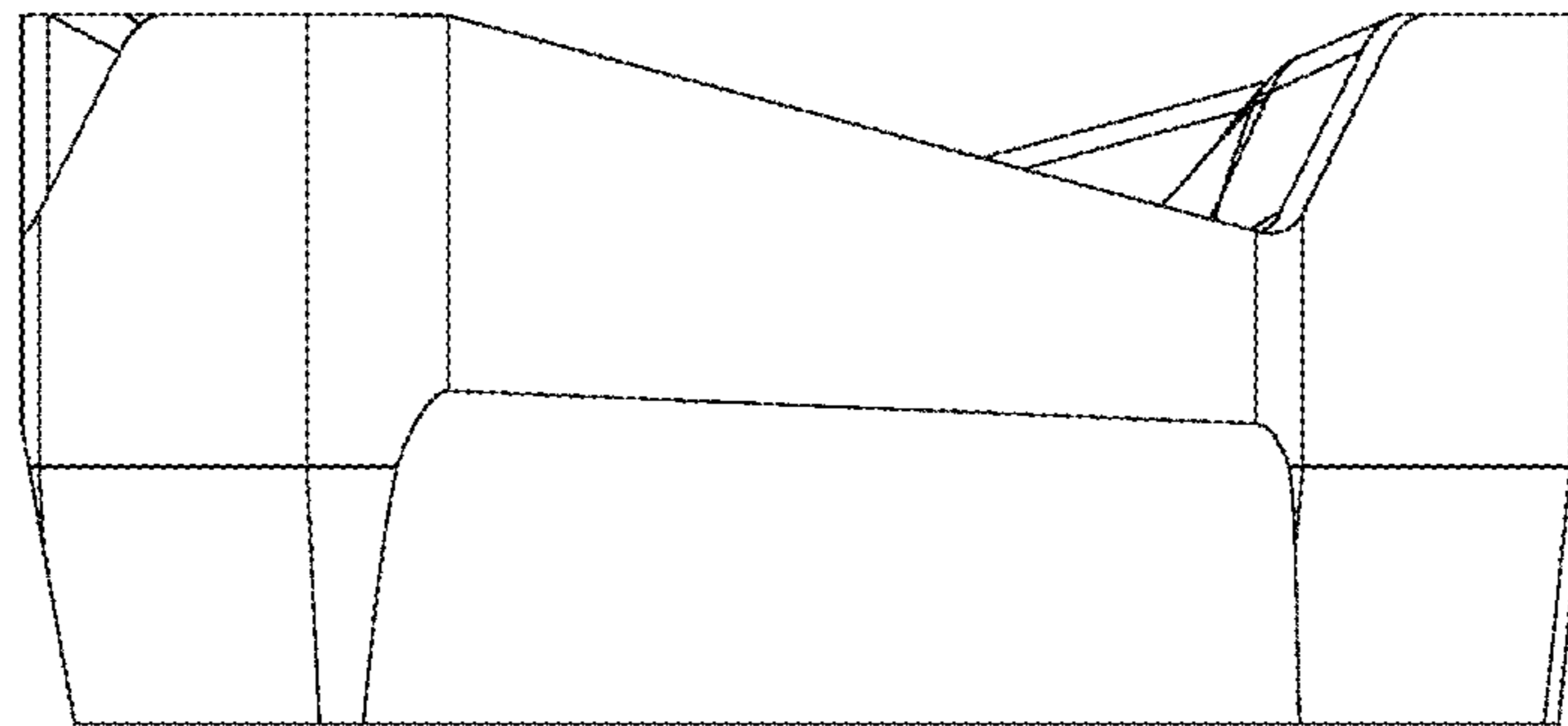


FIG. 4

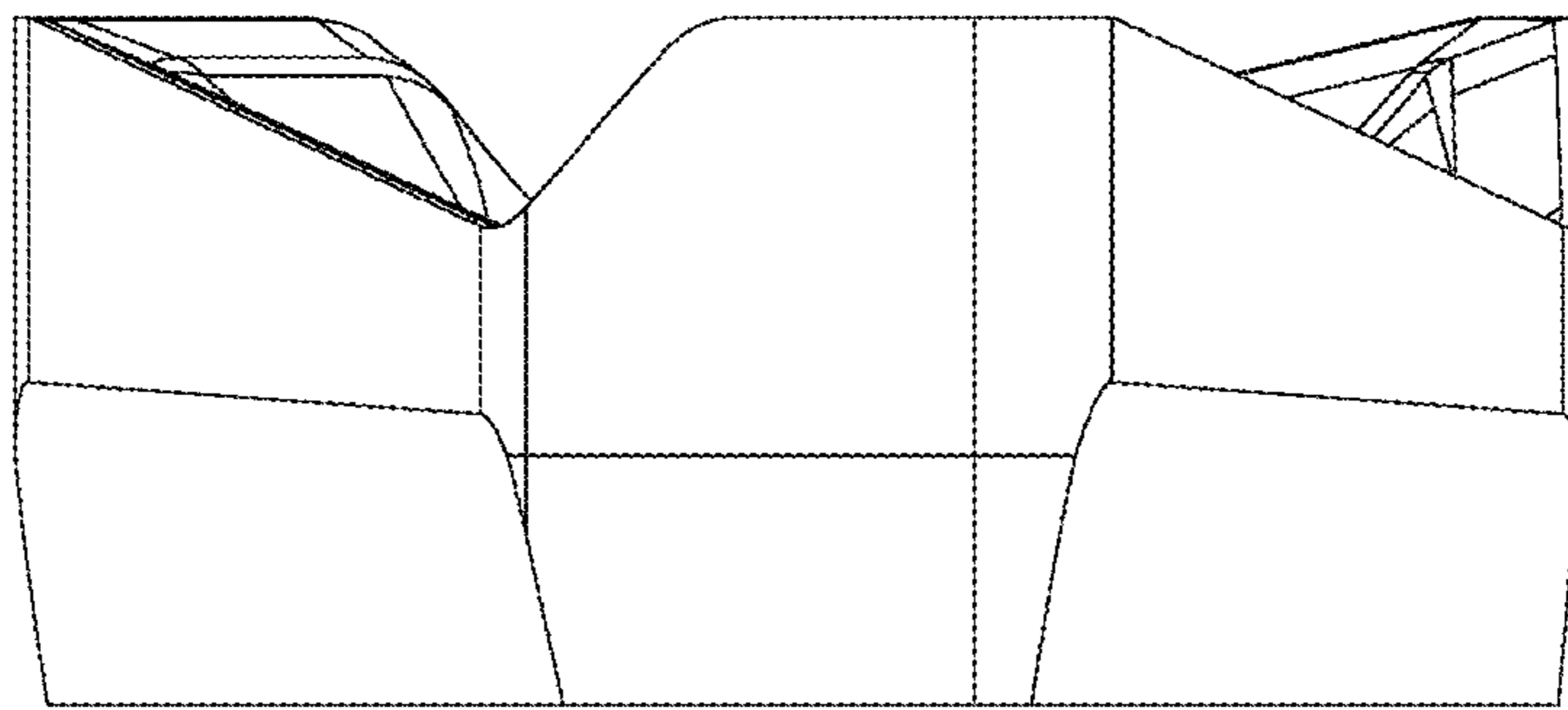


FIG. 5

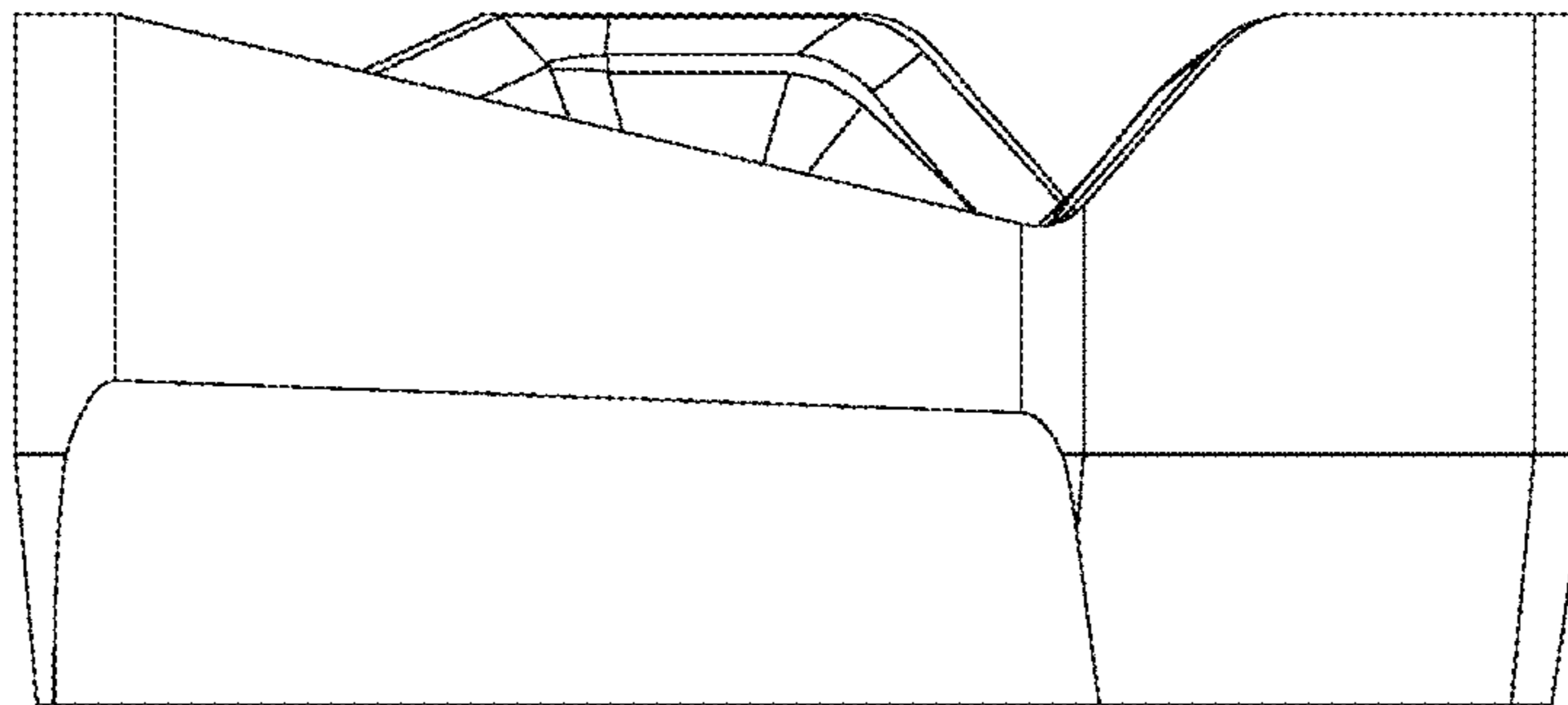


FIG. 6

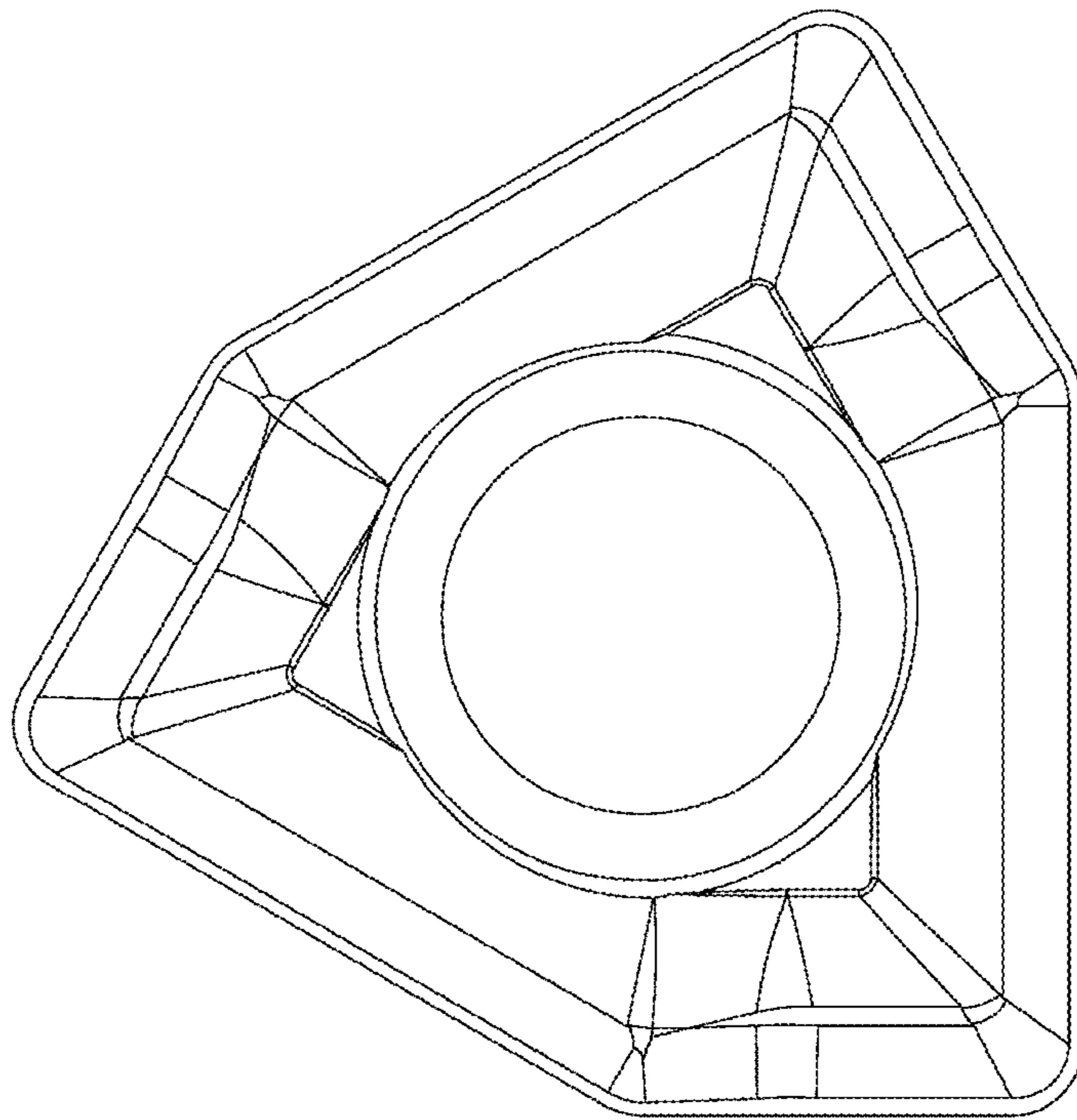


FIG. 7

