



US00D772955S

(12) **United States Design Patent**  
**Harms et al.**

(10) **Patent No.:** **US D772,955 S**

(45) **Date of Patent:** **\*\* Nov. 29, 2016**

- (54) **ENGINE HOUSING**
- (71) Applicant: **Clark Equipment Company**, West Fargo, ND (US)
- (72) Inventors: **Jeremy A. Harms**, Bismarck, ND (US); **James M. Breuer**, Mandan, ND (US); **Michael D. Wetzel**, Bismarck, ND (US); **Shawn M. Bauer**, Bismarck, ND (US); **Jinhup Yeu**, Yongin (KR)
- (73) Assignee: **Clark Equipment Company**, West Fargo, ND (US)
- (\*\*) Term: **15 Years**

- (21) Appl. No.: **29/539,083**
- (22) Filed: **Sep. 10, 2015**
- (51) **LOC (10) Cl.** ..... **15-03**
- (52) **U.S. Cl.**  
USPC ..... **D15/28**
- (58) **Field of Classification Search**  
USPC ..... D15/10-33; 180/89.1, 89.12, 235, 900;  
296/193.03, 193.08; 172/611, 776;  
414/694, 699, 722-724, 680, 660  
CPC ..... E02D 19/18; E02D 17/13; E02D 5/18;  
E02F 3/086; E02F 3/144; E02F 3/306;  
E02F 3/307; B60P 3/40  
See application file for complete search history.

(56) **References Cited**  
U.S. PATENT DOCUMENTS

D450,067 S *	11/2001	Murakami	.....	D15/25
D450,331 S *	11/2001	Murakami	.....	D15/25
D487,575 S *	3/2004	Wetzel	.....	D15/33
D508,498 S *	8/2005	Shimokakiuchi	.....	D15/24
D509,514 S *	9/2005	Shimokakiuchi	.....	D15/24
D575,804 S *	8/2008	Murakami	.....	D15/28
D576,182 S *	9/2008	Murakami	.....	D15/28
D582,946 S *	12/2008	Ochi	.....	D15/28

D587,285 S *	2/2009	Murakami	.....	D15/28
D590,845 S *	4/2009	Ochi	.....	D15/22
D591,773 S *	5/2009	Ueta	.....	D15/22
D593,137 S *	5/2009	Ueta	.....	D15/28
D594,884 S *	6/2009	Murakami	.....	D15/28
D655,320 S *	3/2012	Hiraoka	.....	D15/28
D684,598 S *	6/2013	Hagura	.....	D15/24
D684,599 S *	6/2013	Saito	.....	D15/24
D684,600 S *	6/2013	Saito	.....	D15/24
D684,605 S *	6/2013	Hagura	.....	D15/28
D684,606 S *	6/2013	Hagura	.....	D15/28
D687,865 S *	8/2013	Hatanaka	.....	D15/24
D693,857 S *	11/2013	Hiraoka	.....	D15/28
D695,791 S *	12/2013	Hagura	.....	D15/25
8,733,824 B2 *	5/2014	Kanamaru	.....	E02F 9/0833 180/89.12
D707,261 S *	6/2014	Caboret	.....	D15/24

(Continued)

*Primary Examiner* — Mark Goodwin

(74) *Attorney, Agent, or Firm* — Michael Best & Friedrich LLP

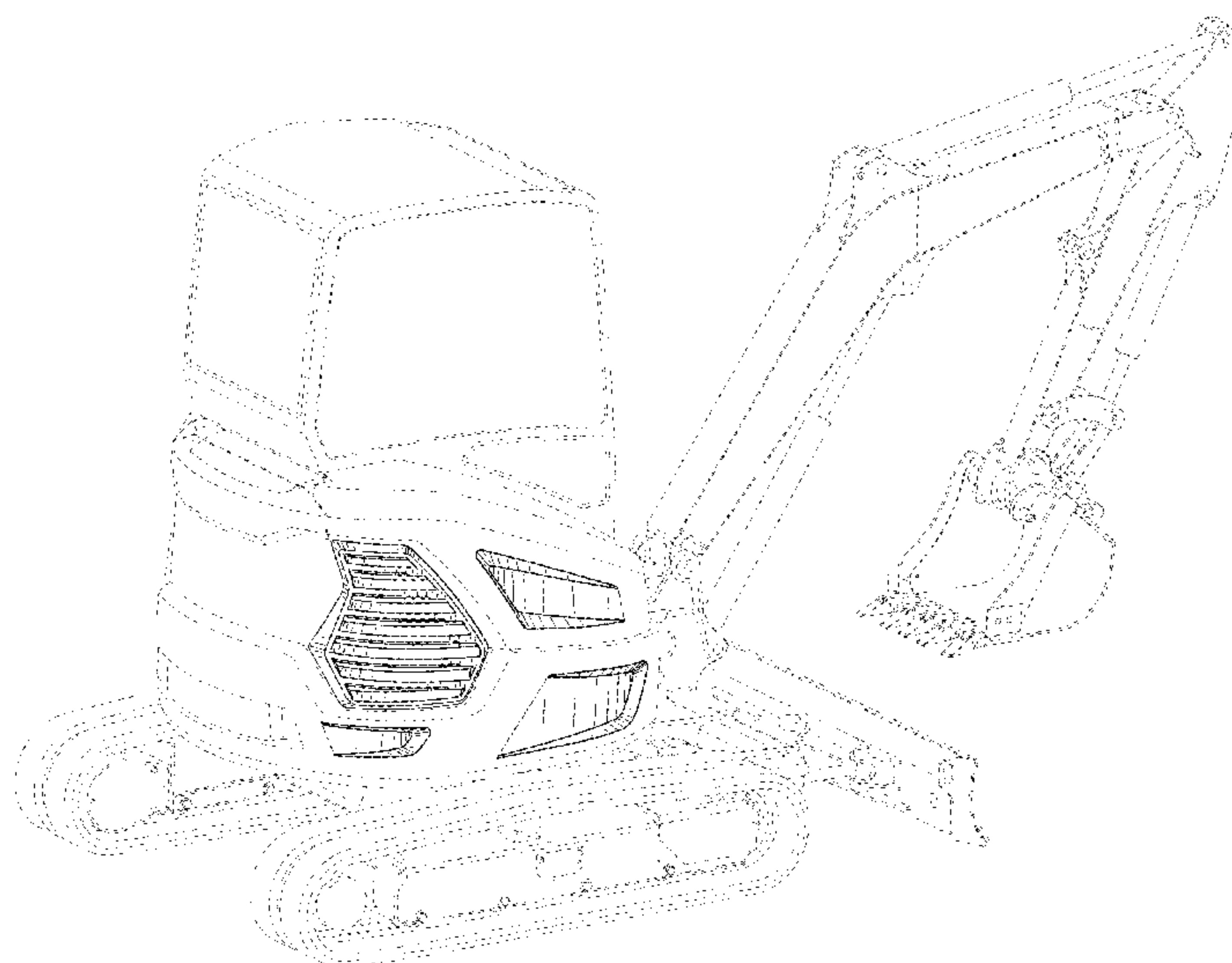
(57) **CLAIM**

We claim the ornamental design for an engine housing, as shown and described.

**DESCRIPTION**

FIG. 1 is a perspective view of an engine housing embodying aspects of the invention.  
 FIG. 2 is a right side view of the engine housing.  
 FIG. 3 is a left side view of the engine housing.  
 FIG. 4 is a front view of the engine housing with environment removed for the purpose of illustration.  
 FIG. 5 is a rear view of the engine housing; and,  
 FIG. 6 is a top view of the engine housing.  
 The broken lines immediately adjacent the shaded areas represent the bounds of the claimed design while all other broken lines are directed to environment and are for illustrative purposes only; the broken lines form no part of the claimed design. The bottom view is not visible during ordinary use.

**1 Claim, 6 Drawing Sheets**



# US D772,955 S

Page 2

---

(56)

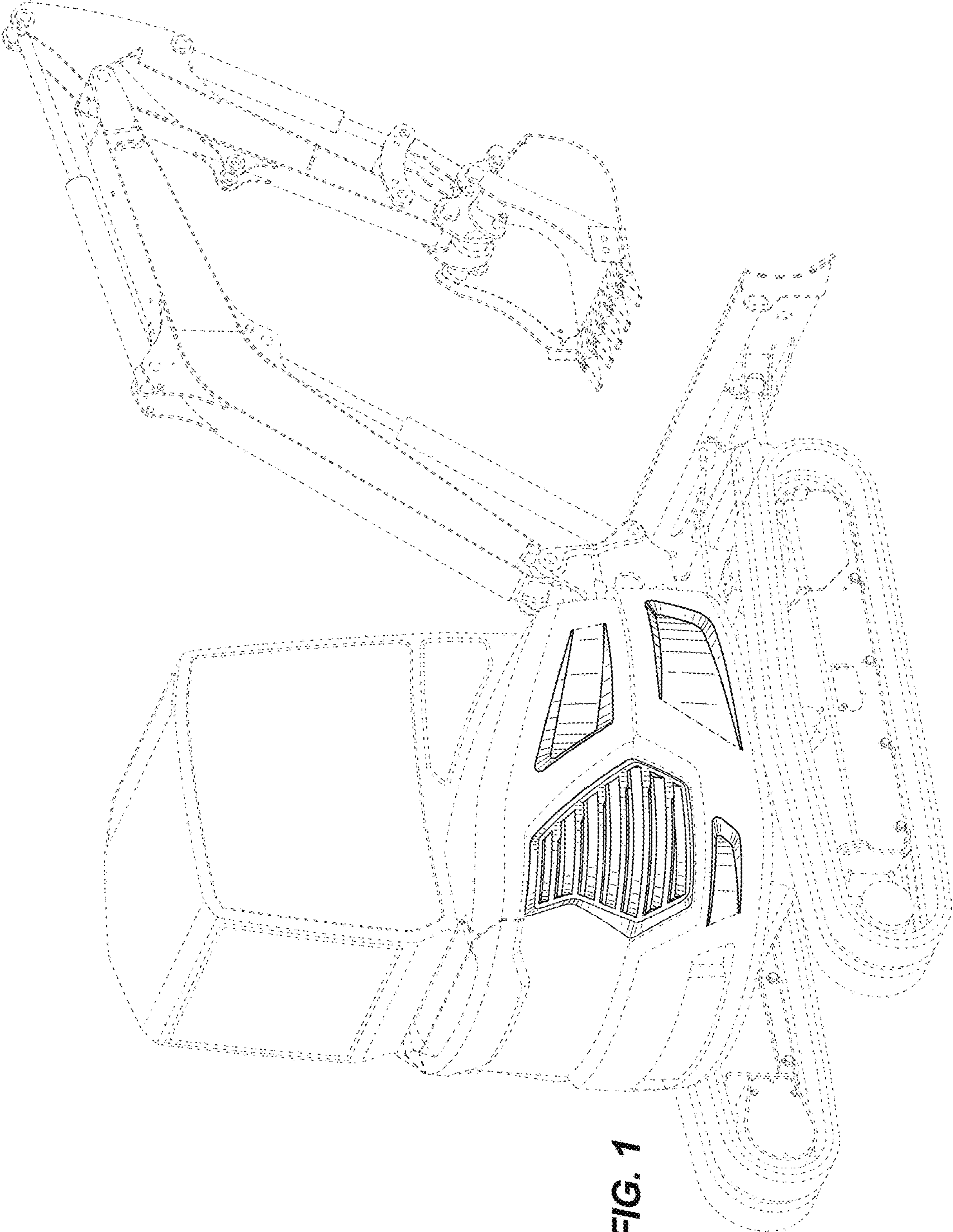
## References Cited

### U.S. PATENT DOCUMENTS

D716,845 S \* 11/2014 Hayami ..... D15/24  
D717,346 S \* 11/2014 Ishii ..... D15/28

D735,771 S \* 8/2015 Imashige ..... D15/28  
D737,865 S \* 9/2015 Imashige ..... D15/28  
D750,673 S \* 3/2016 Imashige ..... D15/28  
D752,653 S \* 3/2016 Lee ..... D15/28

\* cited by examiner





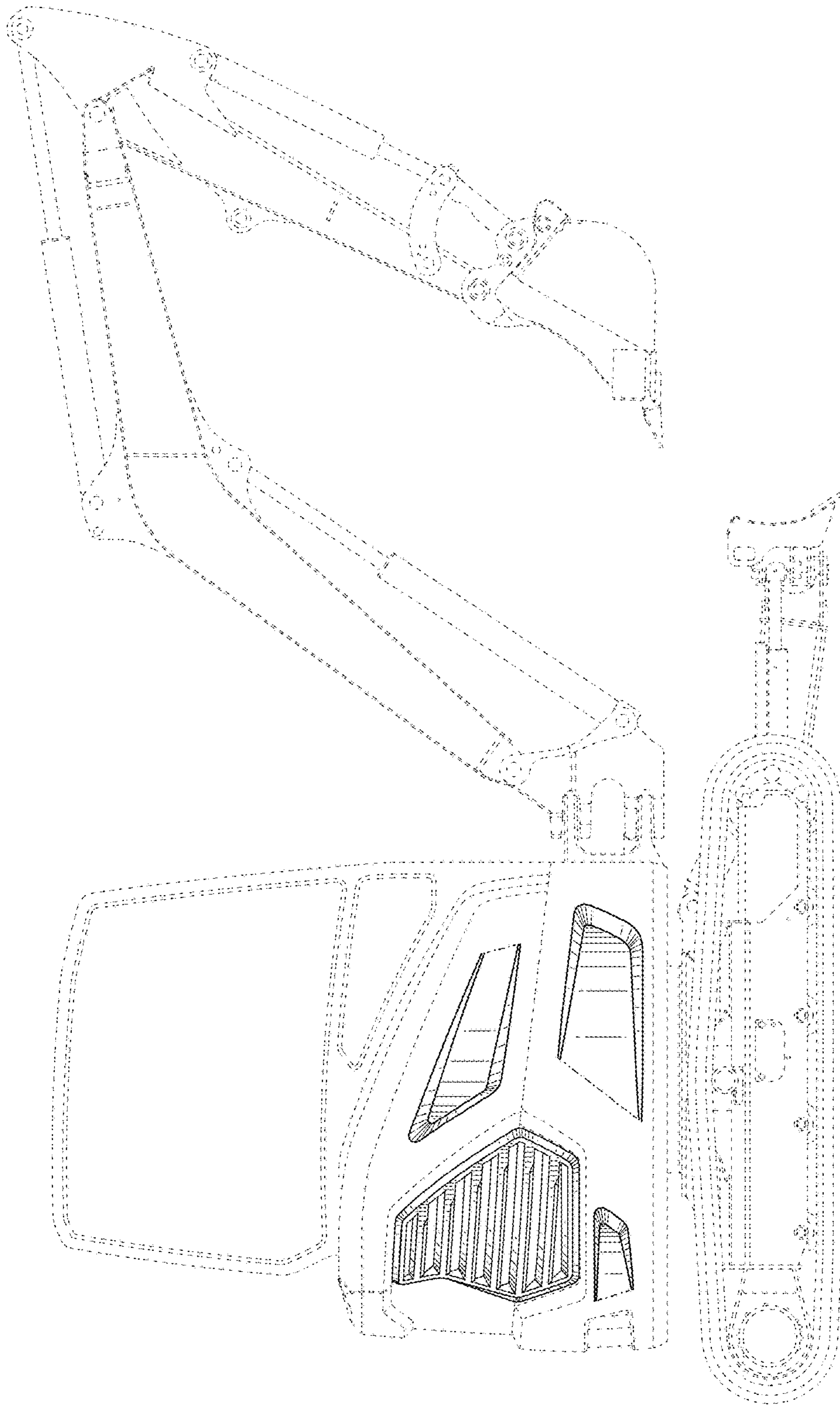


FIG. 2

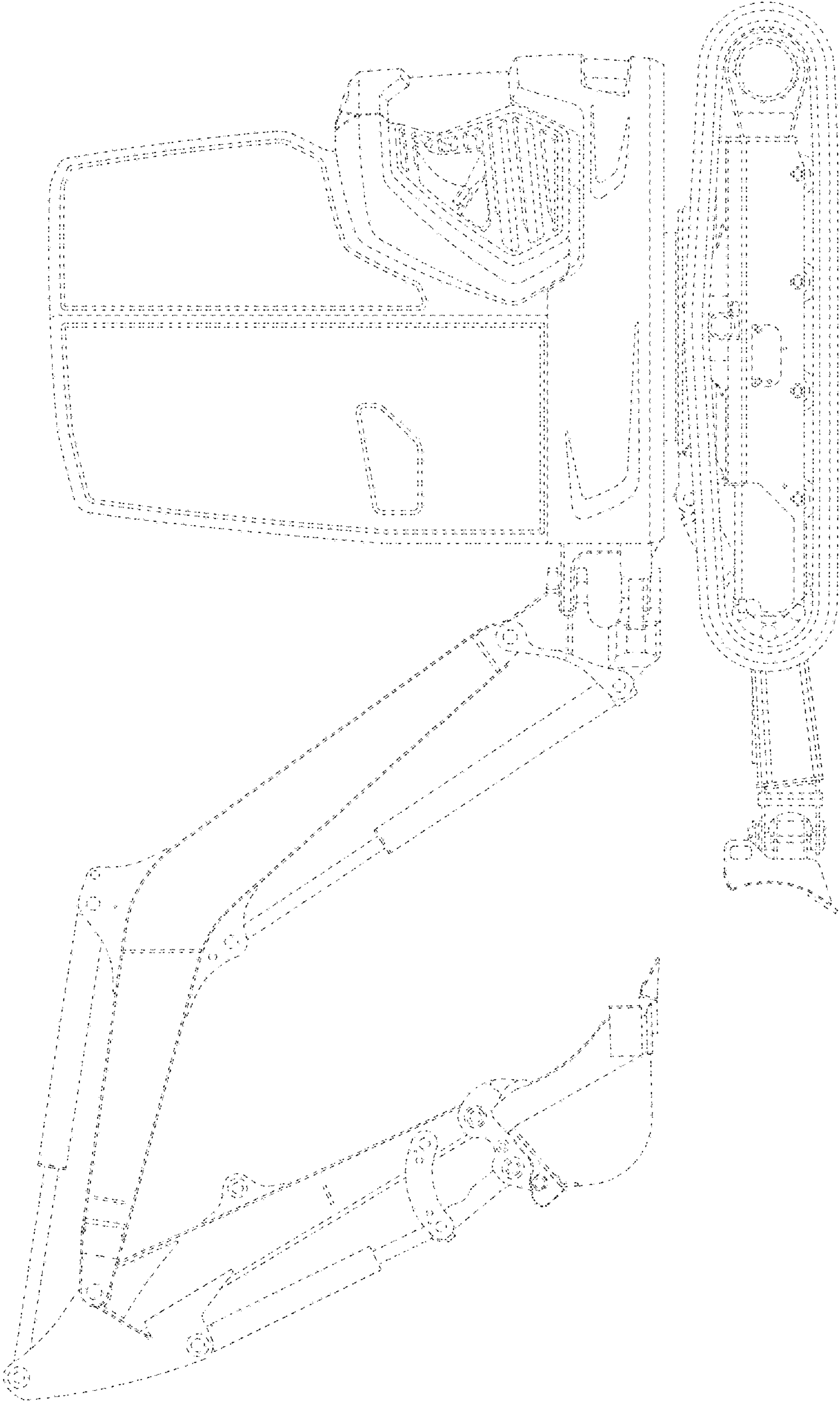
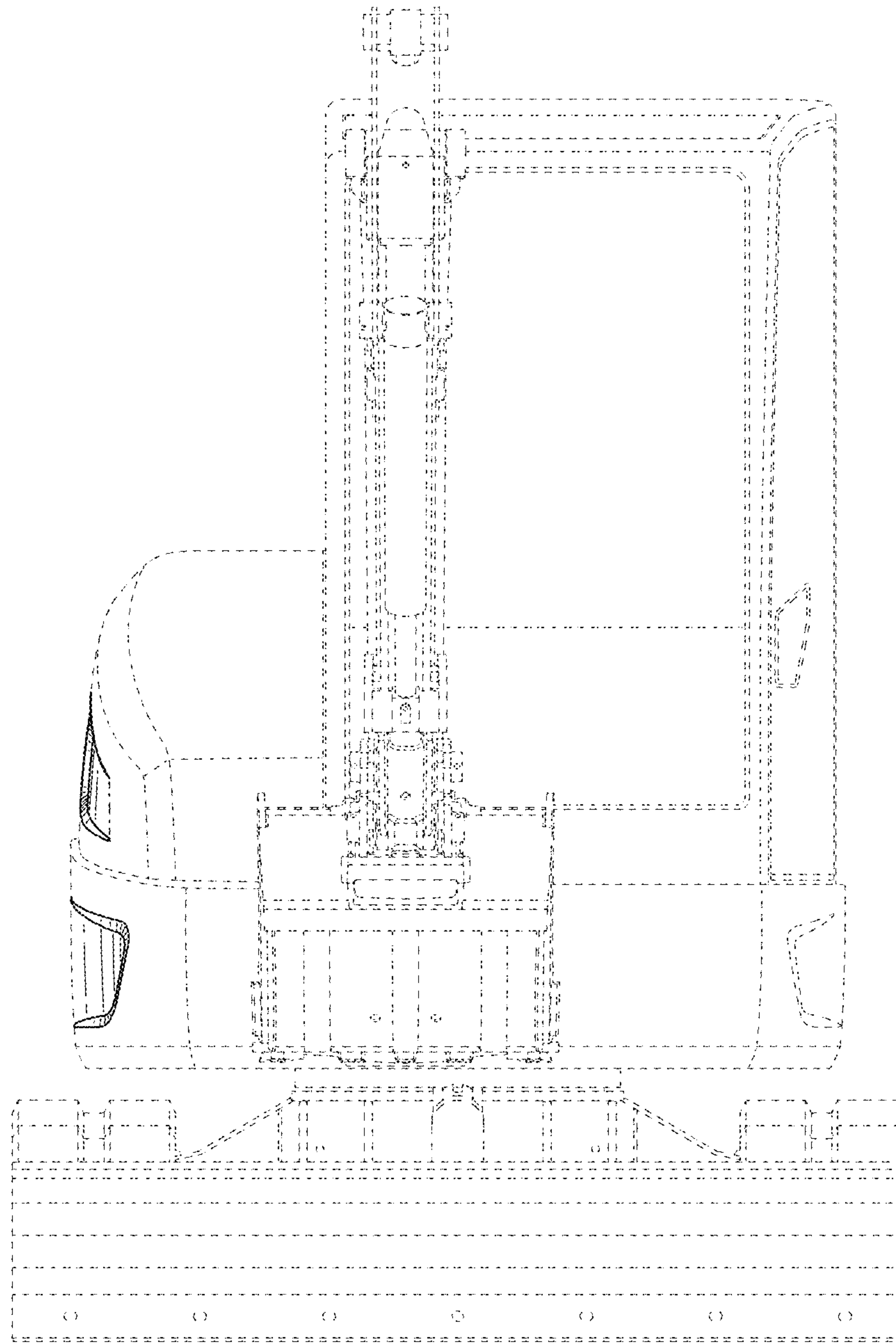
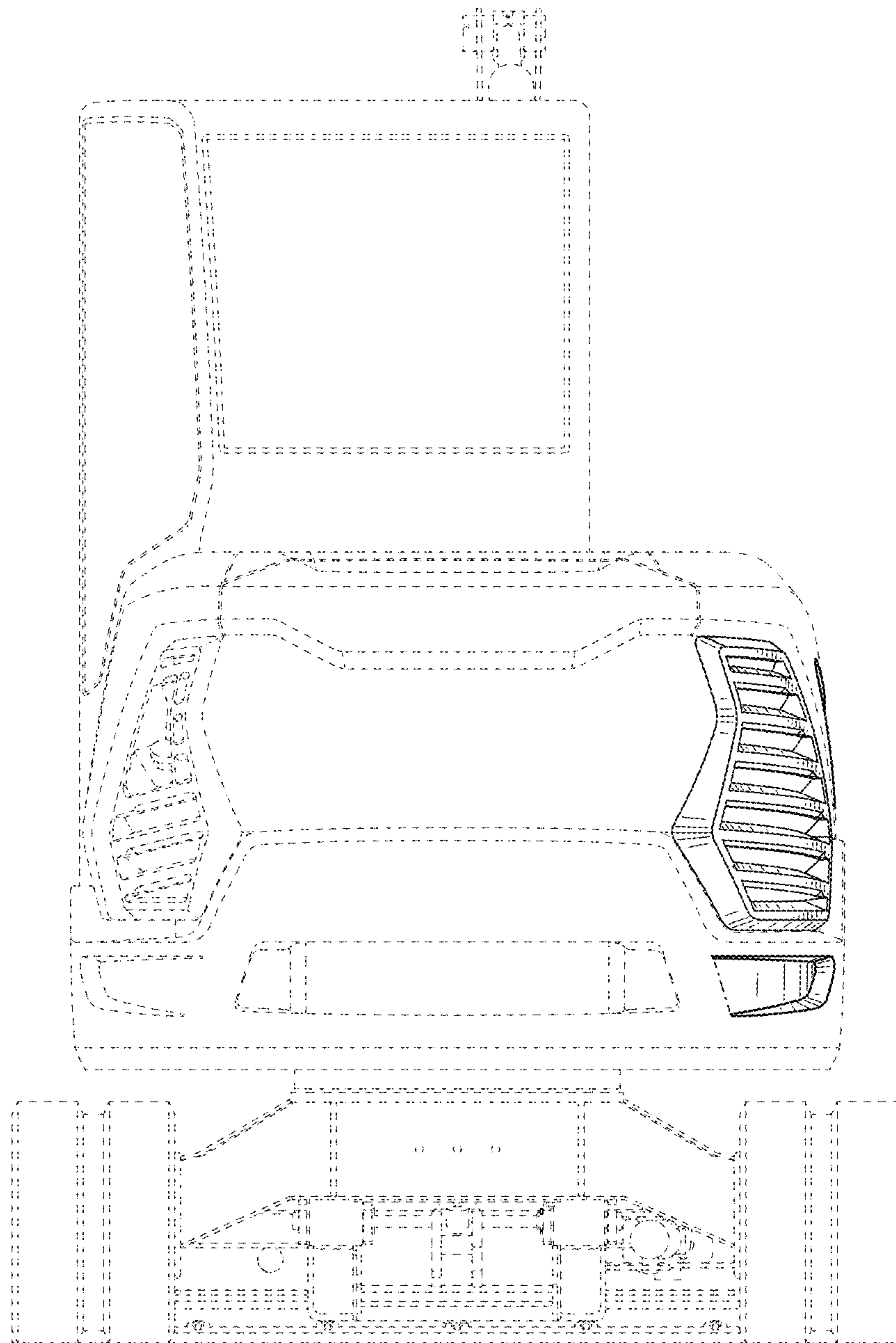


FIG. 3



**FIG. 4**



**FIG. 5**

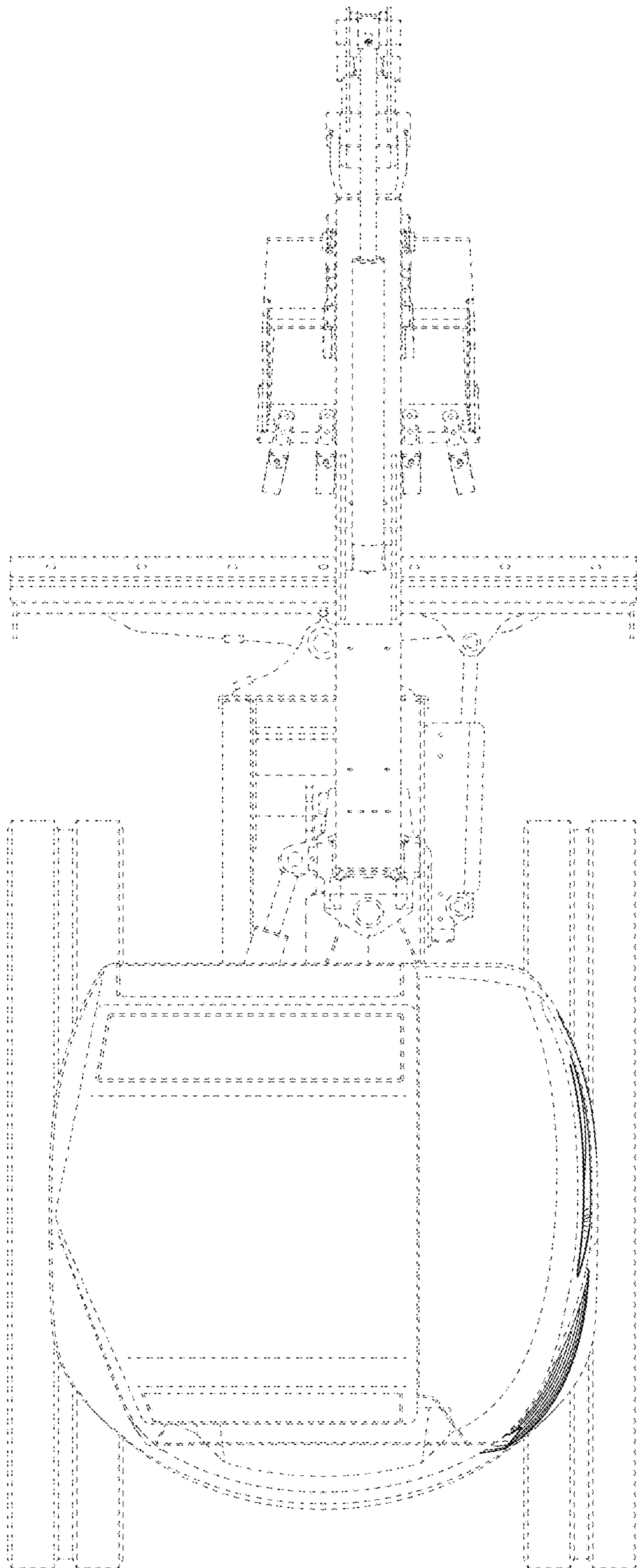


FIG. 6