

US00D772952S

(12) **United States Design Patent** (10) **Patent No.:** **US D772,952 S**
Voss et al. (45) **Date of Patent:** **** Nov. 29, 2016**

(54) **EXCAVATOR**

(71) Applicant: **Caterpillar Inc.**, Peoria, IL (US)

(72) Inventors: **Sven Voss**, Regensburg (DE); **Josef Woess**, Weihmichl (DE); **Martin Pfab**, Wernber-Köblitz (DE); **Franz Forster**, Mainburg (DE); **Christian Bauer**, Peoria, IL (US); **Ashley Menges**, Radnor, OH (US); **Niladri Manna**, Akashi (JP)

(73) Assignee: **Caterpillar Inc.**, Peoria, IL (US)

(**) Term: **14 Years**

(21) Appl. No.: **29/508,622**

(22) Filed: **Nov. 7, 2014**

(30) **Foreign Application Priority Data**

Aug. 5, 2014 (EM) 002460576

(51) **LOC (10) Cl.** **15-04**

(52) **U.S. Cl.**
USPC **D15/25**

(58) **Field of Classification Search**
USPC D15/10, 22-26, 28, 30
CPC E02F 3/32; E02F 9/163; E02F 3/76;
E02F 3/40
See application file for complete search history.

(56) **References Cited**

U.S. PATENT DOCUMENTS

4,369,989 A * 1/1983 Mankey 280/764.1
4,776,750 A * 10/1988 Griswold et al. 414/698
5,172,498 A * 12/1992 Wack 37/443
5,222,563 A * 6/1993 Van Horlick 172/111
D338,019 S * 8/1993 Bhambra D15/25
5,256,026 A * 10/1993 Kishi 414/723

D391,272 S * 2/1998 Jin et al. D15/25
D406,152 S * 2/1999 Miyaoka et al. D15/25
D409,629 S * 5/1999 Miyaoka et al. D15/25
D437,602 S * 2/2001 Hiraoka et al. D15/25
D460,975 S * 7/2002 Yanagida et al. D15/25
D590,847 S * 4/2009 Yonekura et al. D15/25
D658,211 S * 4/2012 Hiraoka et al. D15/25
D663,324 S * 7/2012 Fuchita et al. D15/25
D663,751 S * 7/2012 Yogita et al. D15/25
D677,703 S * 3/2013 Hiraoka et al. D15/25
D678,354 S * 3/2013 Hiraoka et al. D15/25

* cited by examiner

Primary Examiner — Mitchell Siegel

(74) *Attorney, Agent, or Firm* — Finnegan, Henderson, Farabow, Garrett & Dunner, LLP

(57) **CLAIM**

The ornamental design for an excavator, as shown and described.

DESCRIPTION

The patent or application file contains at least one drawing executed in color. Copies of this patent or patent application publication with color drawing(s) will be provided by the Office upon request and payment of the necessary fee.

FIG. 1 is a perspective view of an excavator showing our new design;

FIG. 2 is another perspective view thereof;

FIG. 3 is a left side view thereof;

FIG. 4 is a right side view thereof; and,

FIG. 5 is a rear view thereof.

The gray blurred portions illustrate structure or features which form no part of the claimed design.

The dashed broken lines illustrate structure or features which form no part of the claimed design.

The dot-dash broken lines illustrate boundaries which form no part of the claimed design.

1 Claim, 3 Drawing Sheets
(3 of 3 Drawing Sheet(s) Filed in Color)





Fig. 1



Fig. 2

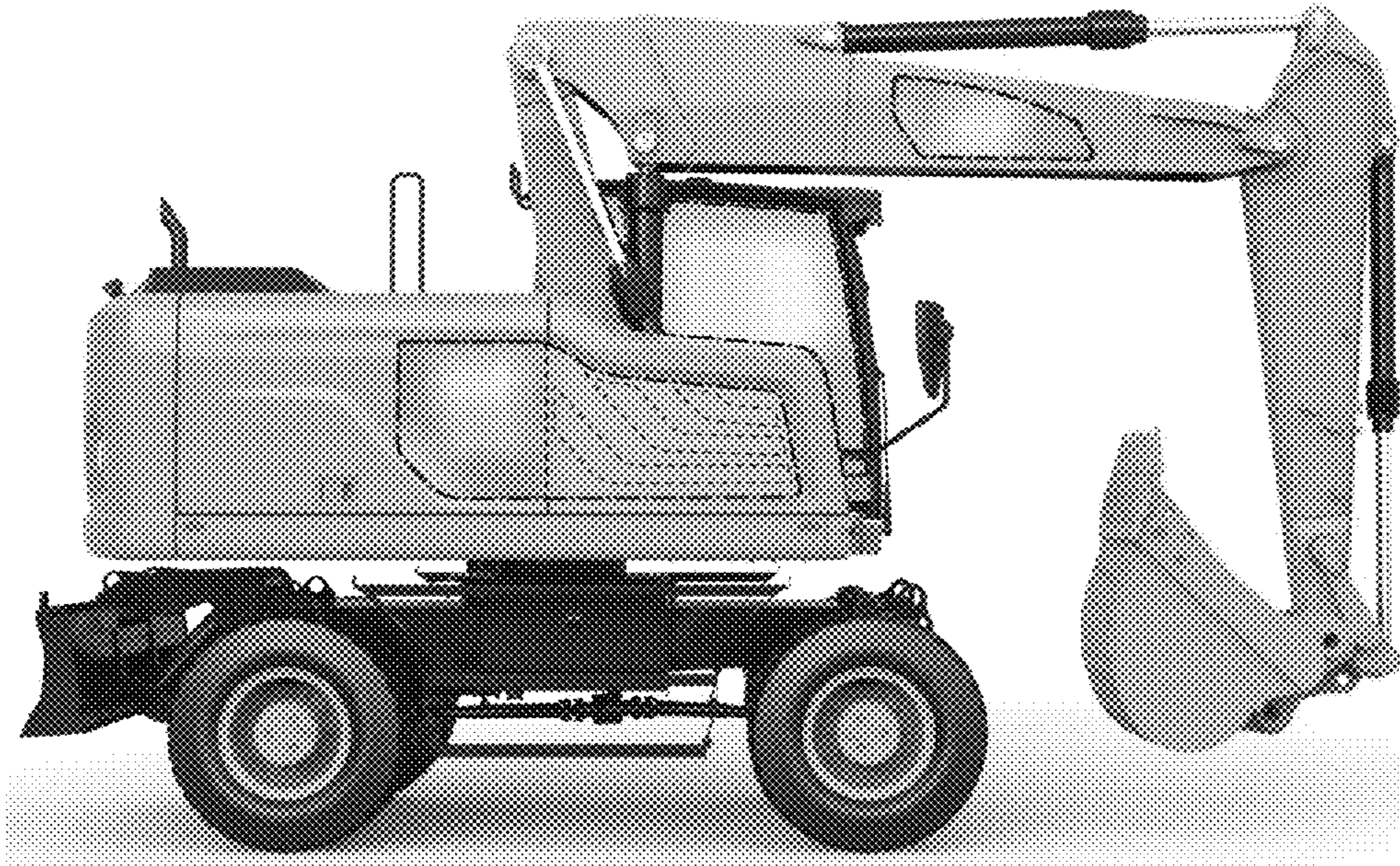


Fig. 3

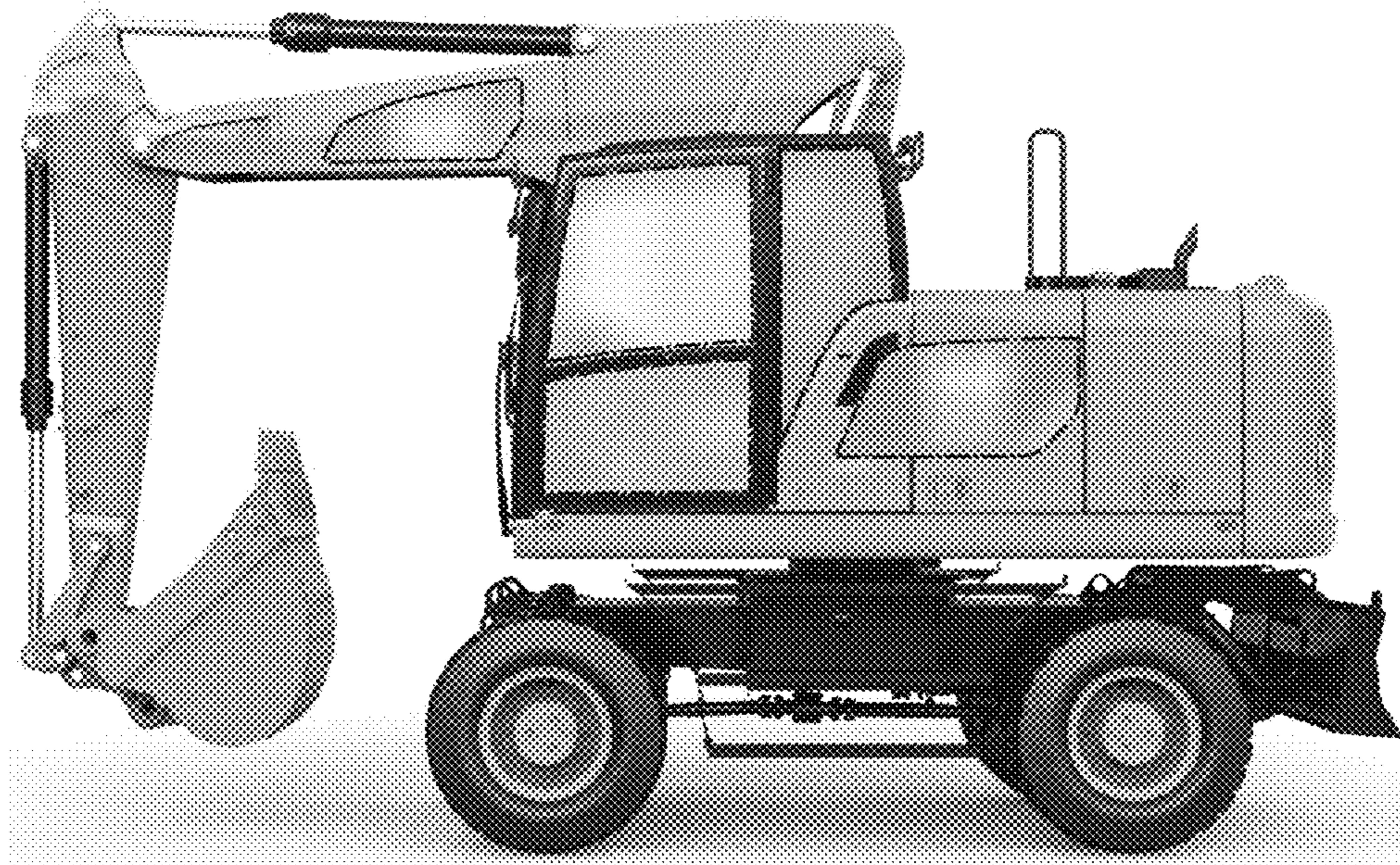


Fig. 4

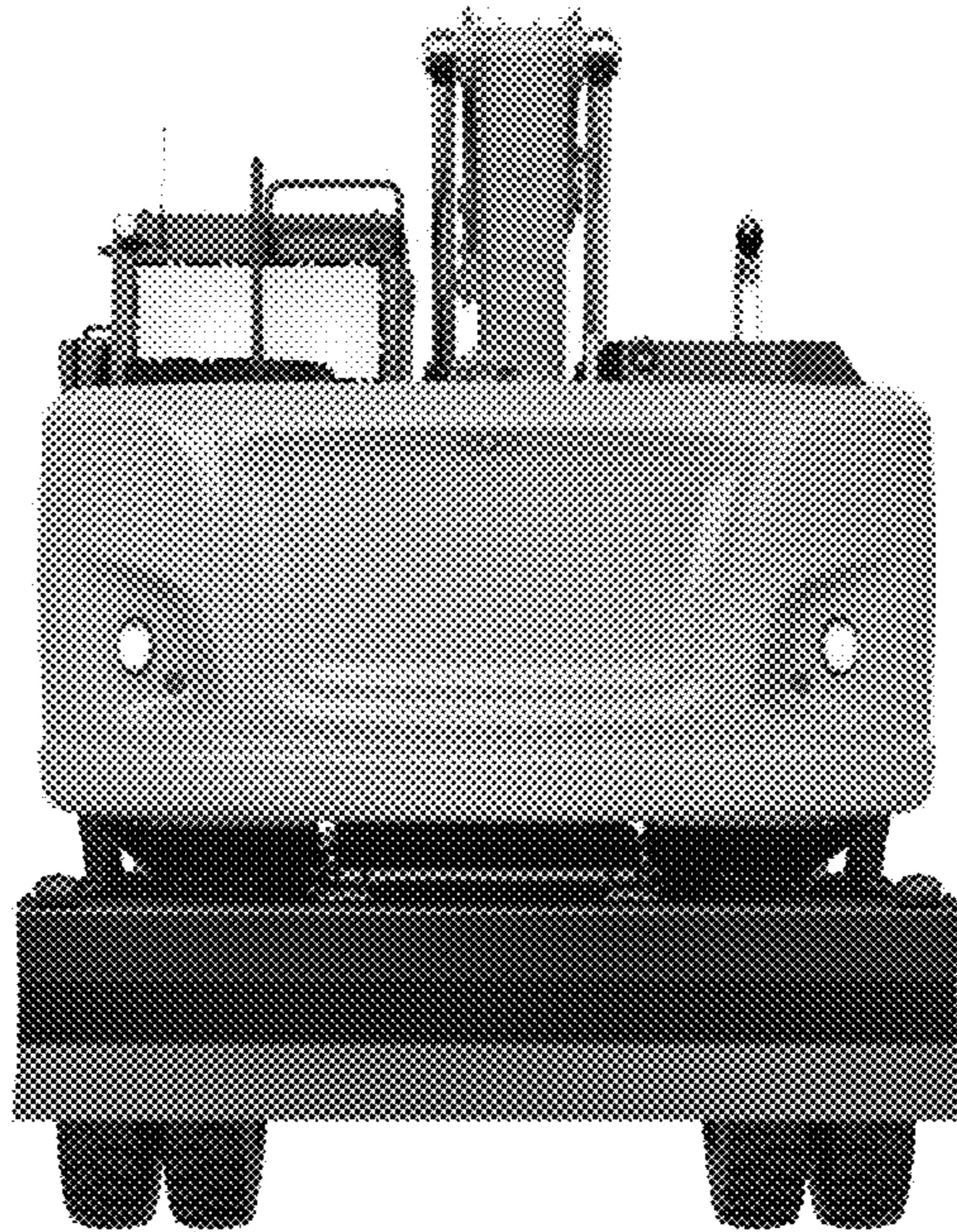


Fig. 5