



US00D772951S

(12) **United States Design Patent** (10) **Patent No.:** **US D772,951 S**
Stanley et al. (45) **Date of Patent:** **** Nov. 29, 2016**

(54) **LAND CLEARING TOOL ASSEMBLY WITH A DEPTH CONTROL RING AND A DRUM INTERFACE**

(71) Applicant: **Fecon, Inc.**, Lebanon, OH (US)

(72) Inventors: **Jeffrey Stanley**, Lebanon, OH (US);
Garrett Alan Ford, Cincinnati, OH (US)

(73) Assignee: **Fecon, Inc.**, Lebanon, OH (US)

(**) Term: **14 Years**

(21) Appl. No.: **29/482,945**

(22) Filed: **Feb. 24, 2014**

(51) **LOC (10) Cl.** **15-03**

(52) **U.S. Cl.**
USPC **D15/21; D15/28; D15/29; D15/32**

(58) **Field of Classification Search**
USPC D15/21, 28, 29, 32; 241/101.72, 294;
299/39.6, 36.1, 76; 172/78; 404/90
CPC A01G 23/00; B02C 18/06; B02C 18/18;
B27C 1/00; E01C 23/088; E01C 23/00;
E02F 3/20; E02F 3/26; E02F 3/18
See application file for complete search history.

(56) **References Cited**

U.S. PATENT DOCUMENTS

833,797 A	10/1906	Ollrich
1,905,384 A	4/1933	Jass
2,131,947 A	10/1938	Gilmore
2,242,808 A	5/1941	Austin
3,203,488 A	8/1965	Eastwood, III
3,274,908 A	9/1966	Grant et al.
3,277,802 A	10/1966	Petersen
3,358,569 A	12/1967	Averette
3,490,117 A	1/1970	Hertel
3,642,214 A	2/1972	Blackwell, Jr.
3,774,324 A	11/1973	Lafond

3,850,375 A	11/1974	Ford	
4,668,122 A	5/1987	Riddle	
4,682,916 A	7/1987	Briese	
4,727,664 A	3/1988	Hemphill	
4,782,774 A	11/1988	Clarke	
4,826,090 A	5/1989	Orphall	
4,842,337 A	6/1989	Southern	
4,891,858 A *	1/1990	Wachter E01H 1/056 15/179
4,918,843 A	4/1990	Kiesewetter et al.	
4,919,566 A	4/1990	Caron et al.	
H946 H	8/1991	Lonn	

(Continued)

FOREIGN PATENT DOCUMENTS

FR 2866909 9/2005

Primary Examiner — Mark Goodwin

(74) *Attorney, Agent, or Firm* — Ulmer & Berne LLP

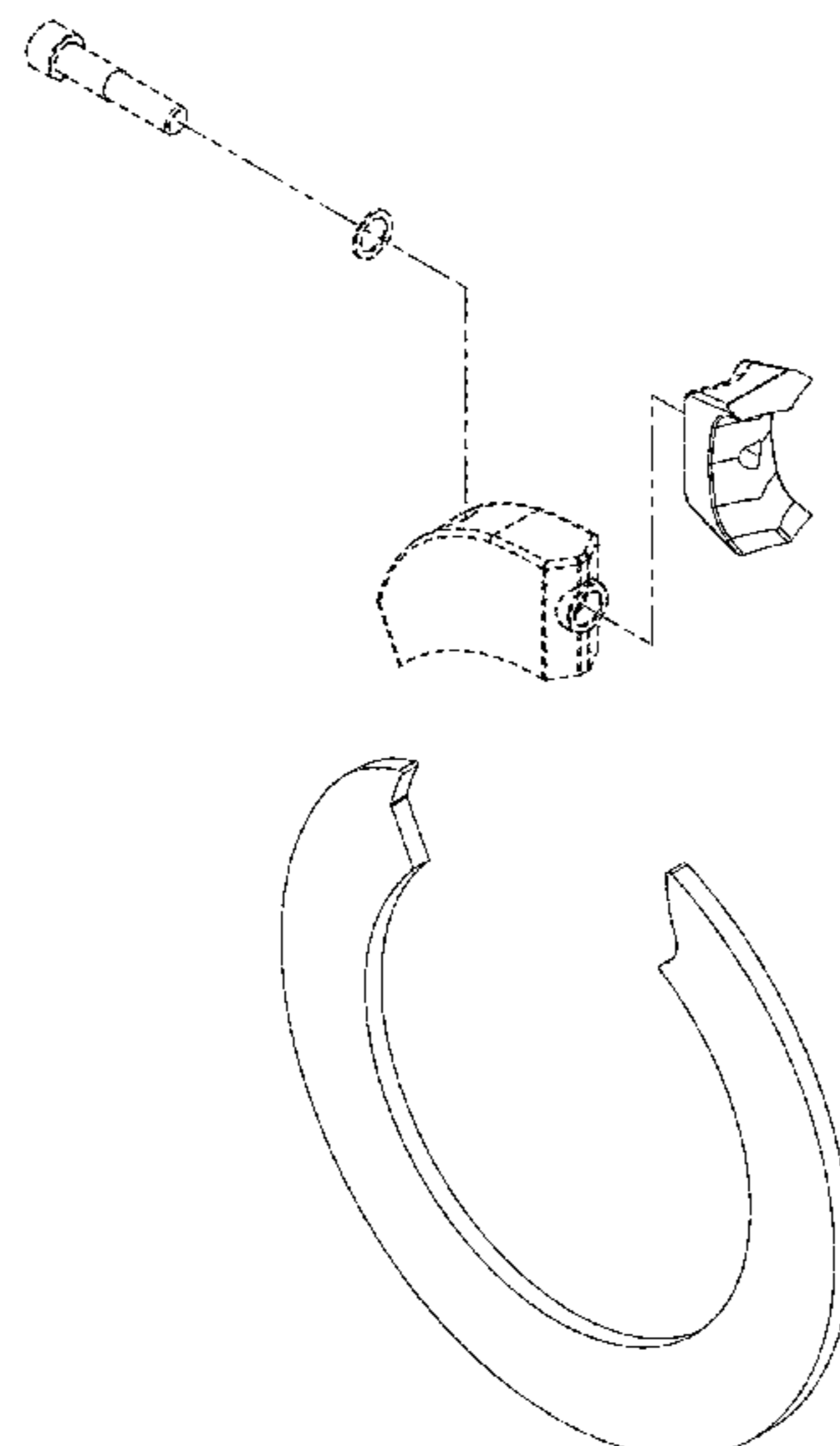
(57) **CLAIM**

The ornamental design of a land clearing tool assembly with a depth control ring and a drum interface, as shown and described.

DESCRIPTION

FIG. 1 is a front, right, exploded, perspective view of a land clearing tool assembly and a depth control ring;
FIG. 2 is a rear, right, exploded, perspective view thereof;
FIG. 3 is a front, left, exploded, perspective view thereof;
FIG. 4 is a rear, left, exploded, perspective view thereof;
FIG. 5 is a right, exploded view thereof;
FIG. 6 is a top, exploded view thereof;
FIG. 7 is a front, right, assembled, isometric view of the land clearing tool assembly and a depth control ring of FIG. 1;
FIG. 8 is a rear, right, assembled, isometric view thereof;
FIG. 9 is a front, left, assembled, isometric view thereof;
FIG. 10 is a rear, left, assembled, isometric view thereof;
FIG. 11 is a right, assembled view thereof; and,
FIG. 12 is a top, assembled view thereof.

1 Claim, 12 Drawing Sheets



(56)

References Cited

U.S. PATENT DOCUMENTS

5,077,918 A	1/1992	Garman		7,278,462 B2	10/2007	Purdy et al.
5,211,212 A	5/1993	Carlson et al.		7,281,676 B1	10/2007	Bennington
5,259,692 A *	11/1993	Beller	E01C 23/127	D567,832 S	4/2008	Edwards
			241/101.72	7,448,567 B2	11/2008	Roozeboom et al.
5,484,110 A	1/1996	Doppstadt		7,584,921 B1	9/2009	Bennington et al.
5,503,339 A	4/1996	Doppstadt		7,634,897 B2	12/2009	MacLennan et al.
5,644,965 A	7/1997	MacLennan et al.		7,713,006 B2	5/2010	MacLennan et al.
5,873,534 A	2/1999	Shinn		7,810,531 B2 *	10/2010	Labbe A01G 23/00
5,875,980 A	3/1999	Schmid				144/172
6,024,143 A	2/2000	Ritchey		7,828,026 B2	11/2010	MacLennan et al.
6,045,072 A	4/2000	Zehr		7,913,432 B2	3/2011	MacLennan et al.
6,059,373 A	5/2000	Wright et al.		7,938,350 B2	5/2011	Doppstadt et al.
6,176,445 B1	1/2001	Shinn		7,967,044 B2 *	6/2011	Labbe A01G 23/093
6,193,430 B1	2/2001	Culpepper et al.				144/172
6,247,757 B1	6/2001	Cochran		7,980,278 B2 *	7/2011	Labbe A01G 23/00
6,422,495 B1	7/2002	De Boef et al.				144/172
6,435,434 B1	8/2002	Monyak		8,540,033 B2 *	9/2013	Stanley A01B 33/142
6,517,274 B1	2/2003	Watanabe et al.				172/548
6,536,322 B1	3/2003	Butler et al.		8,550,391 B2 *	10/2013	Denis A01G 23/00
6,682,262 B2	1/2004	Caron et al.				241/294
6,708,431 B2	3/2004	Robinson et al.		8,807,868 B2 *	8/2014	Schlenker E01C 23/088
6,712,551 B2	3/2004	Livesay et al.				404/92
D488,174 S	4/2004	East		2002/0190148 A1	12/2002	Roozeboom et al.
6,725,758 B2	4/2004	MacLennan et al.		2004/0016153 A1	1/2004	Pippins
6,764,035 B2	7/2004	Denis et al.		2005/0001084 A1	1/2005	Pizzuto
6,810,783 B1	11/2004	Larose		2005/0098331 A1	5/2005	Edwards
6,837,453 B2	1/2005	Sturm		2006/0272183 A1	12/2006	Kergen
7,108,452 B2	9/2006	Caron et al.		2007/0193428 A1	8/2007	MacLennan et al.
7,222,808 B2	5/2007	Edwards		2008/0283257 A1	11/2008	Edwards
				2009/0014189 A1	1/2009	Stanley et al.
				2012/0032013 A1	2/2012	Rice et al.

* cited by examiner

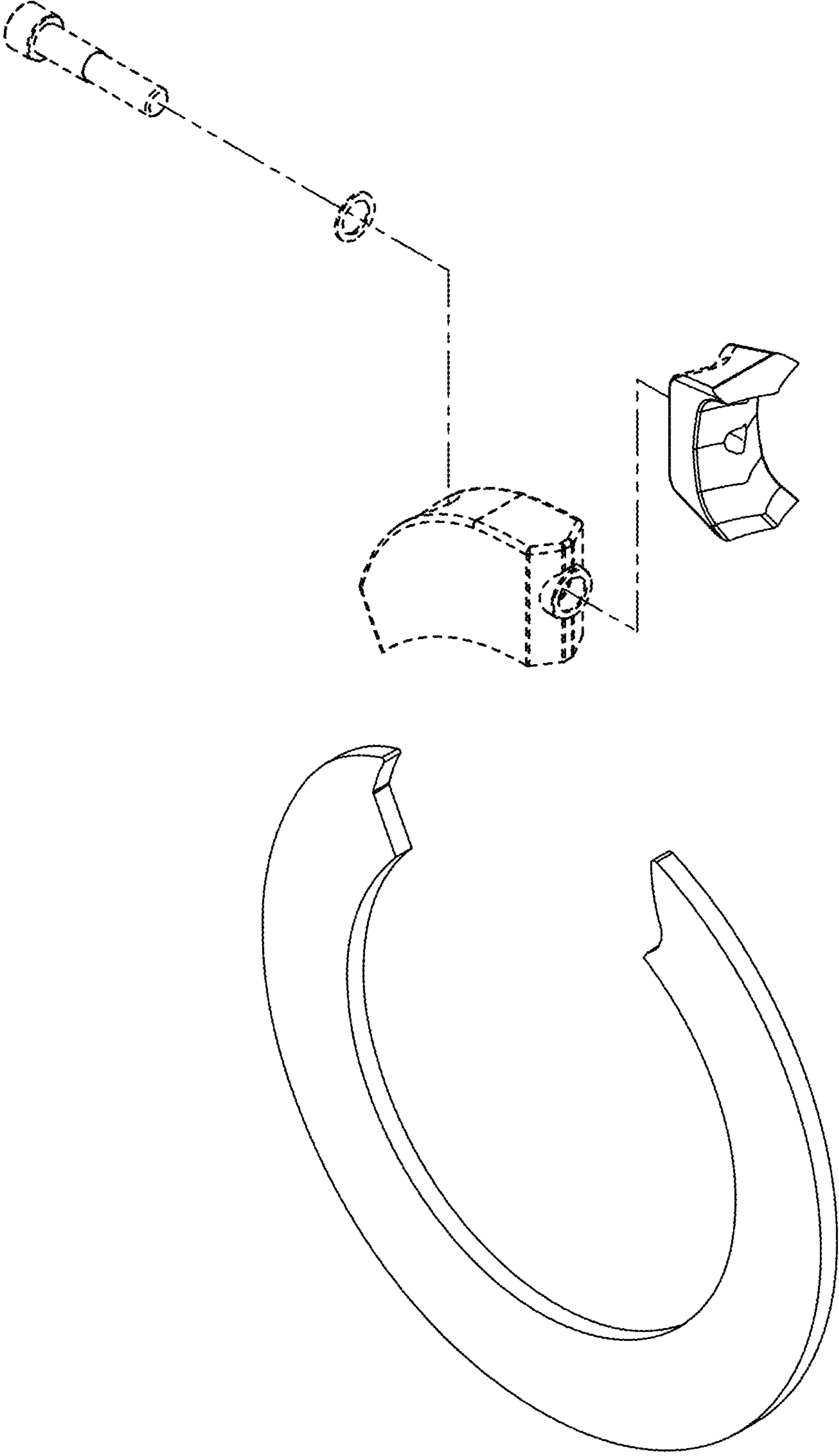


FIG. 1

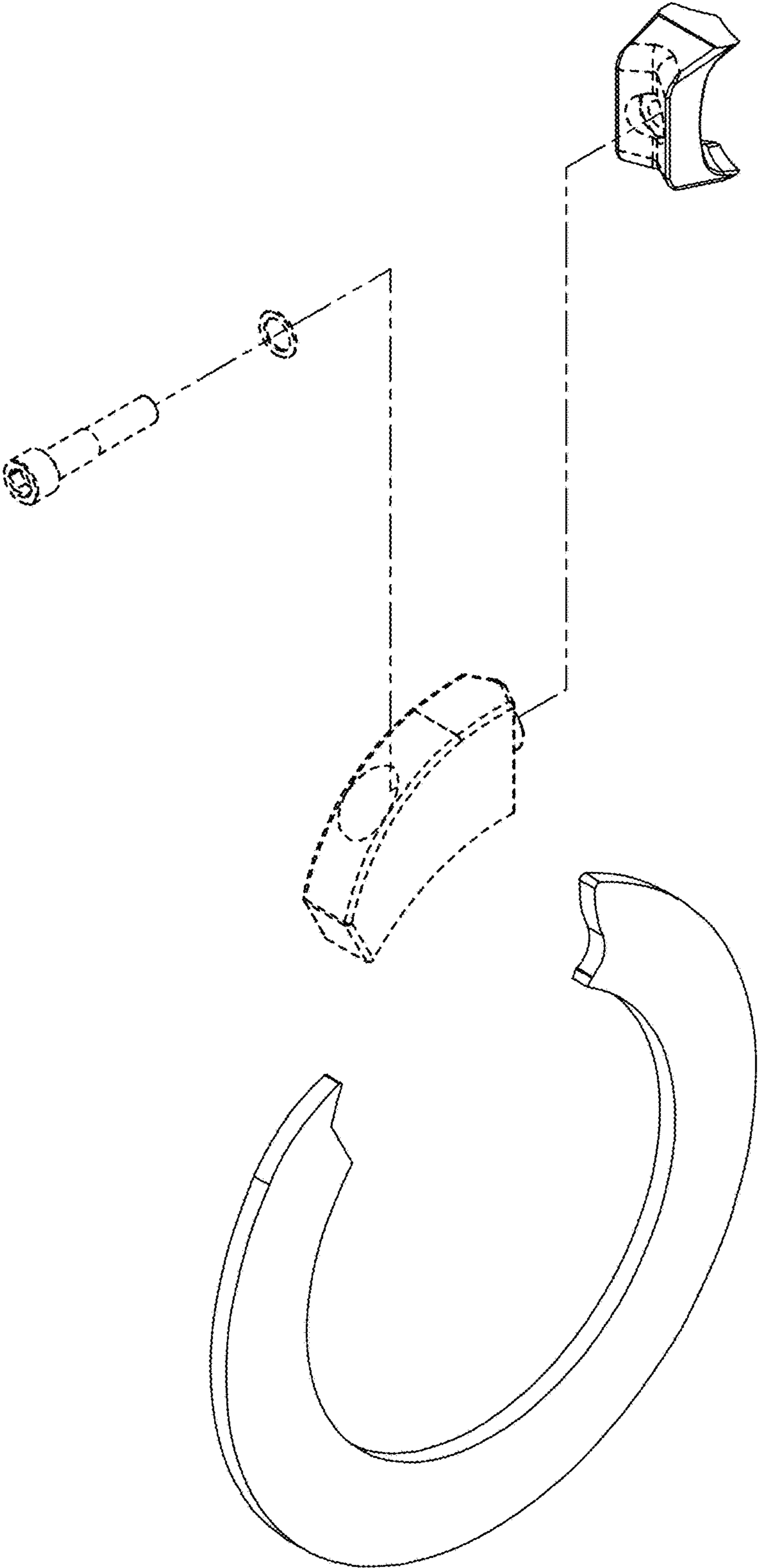


FIG. 2

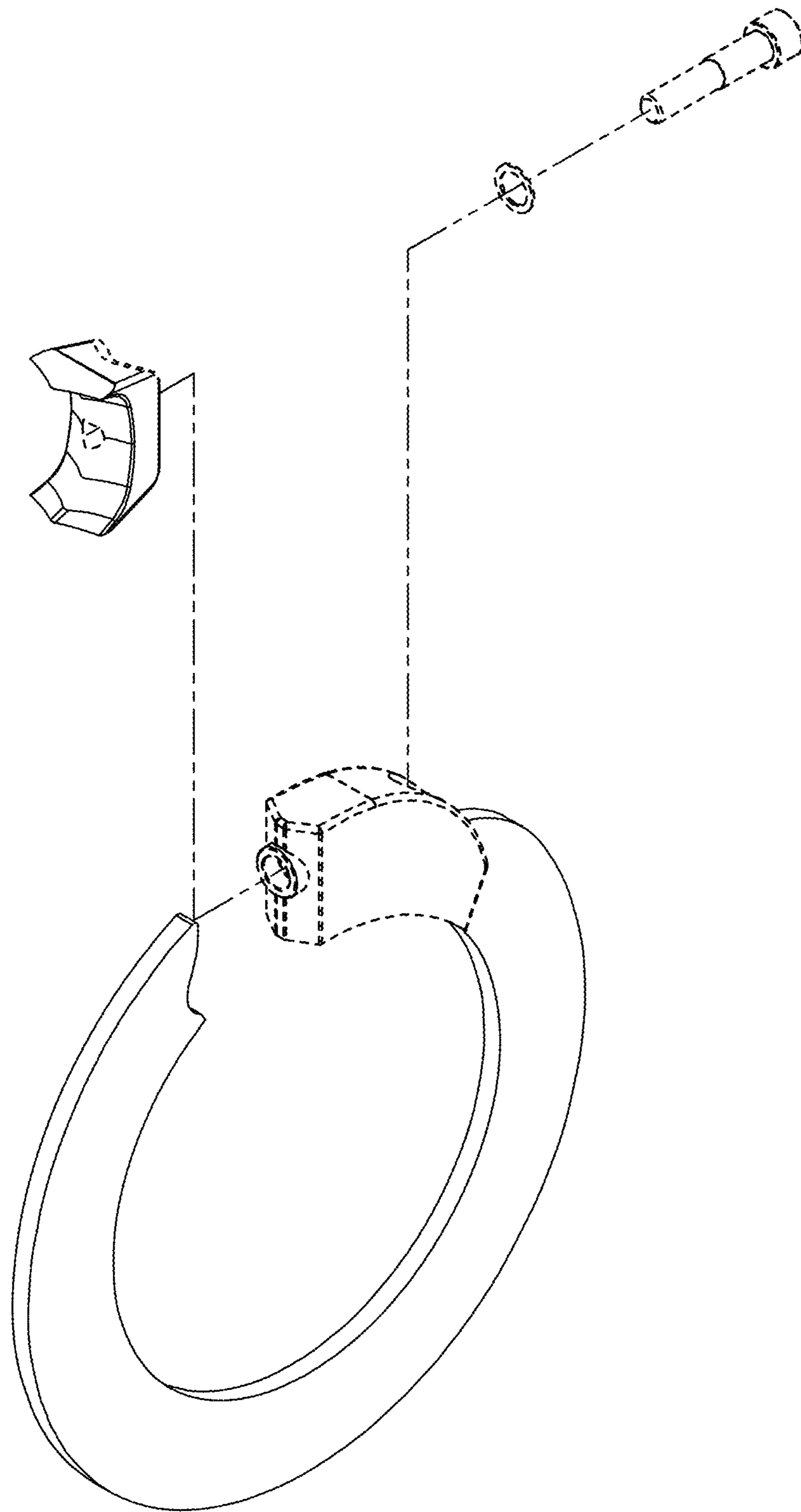


FIG. 3

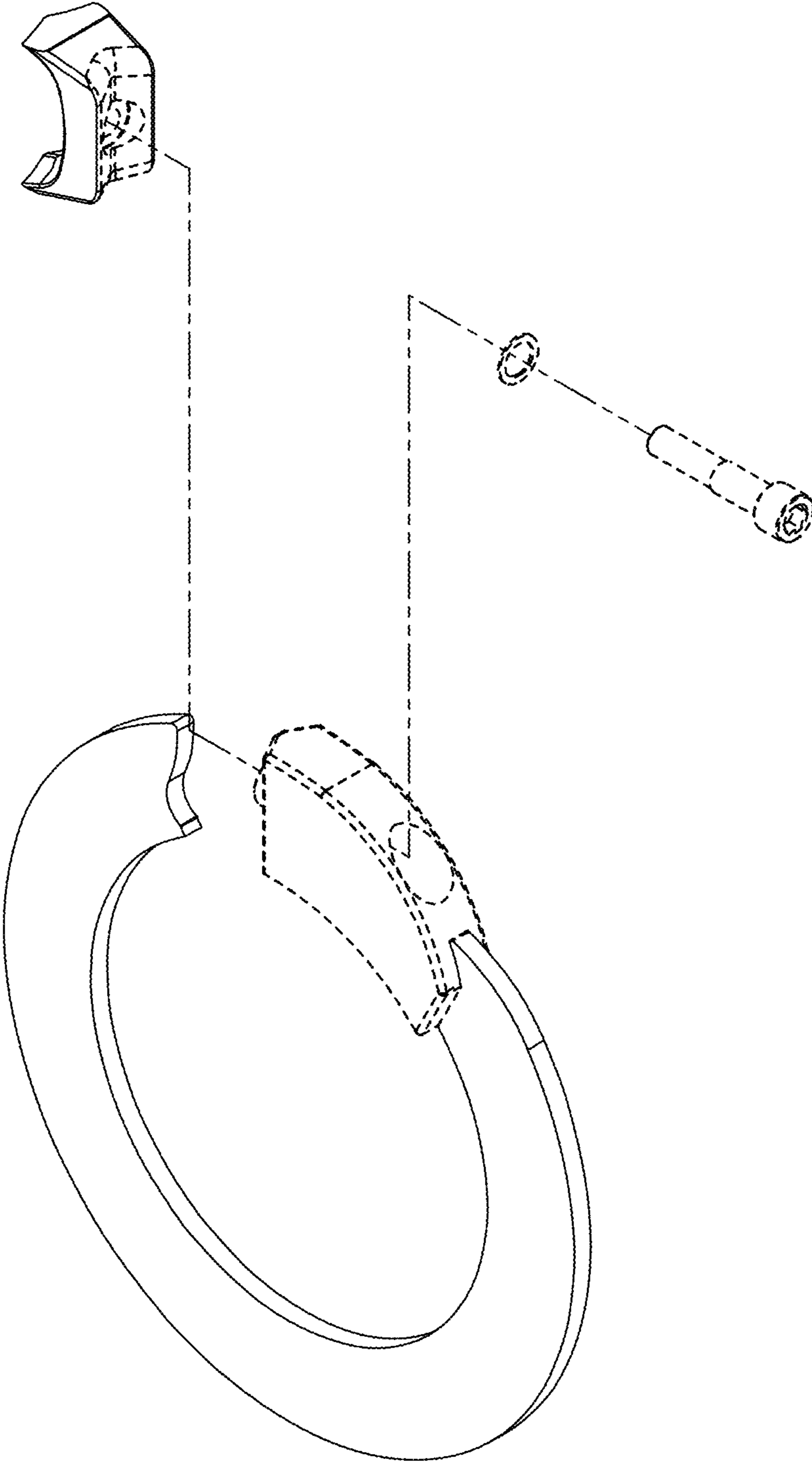


FIG. 4

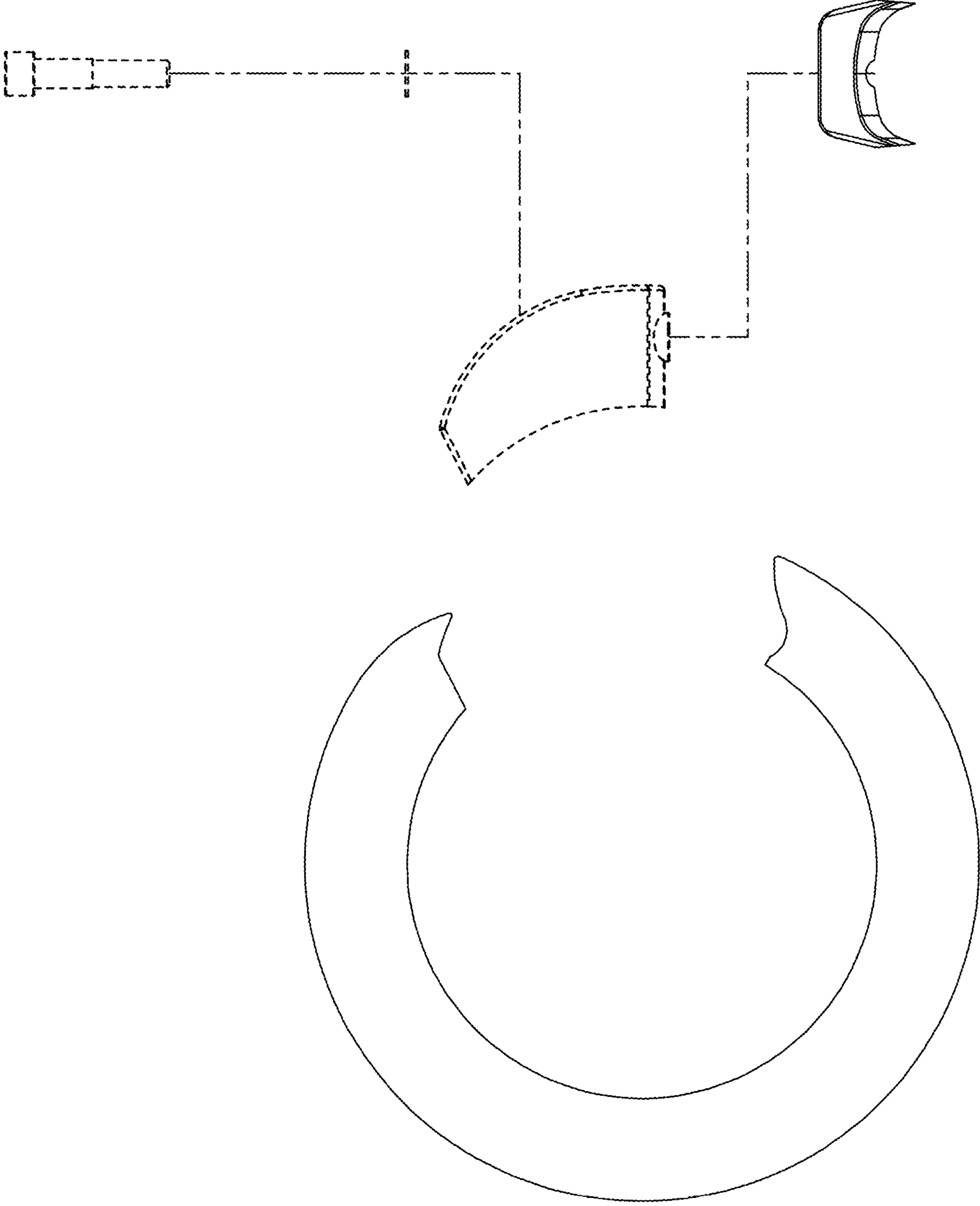


FIG. 5

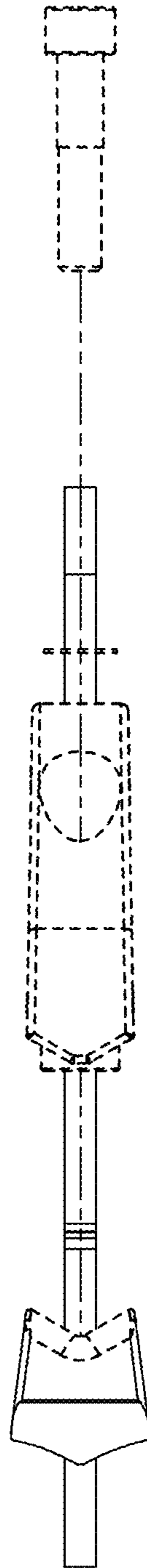


FIG. 6

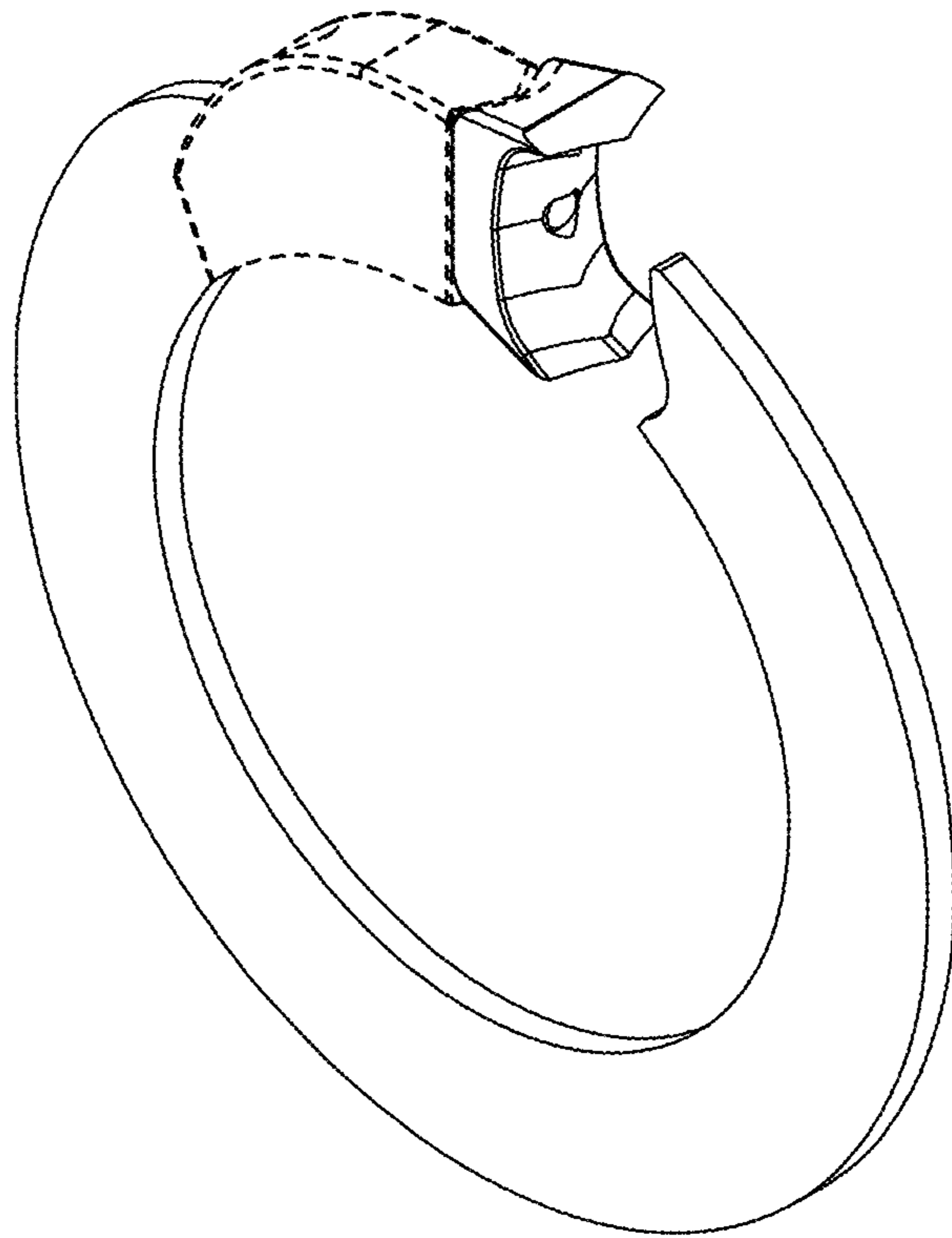


FIG. 7

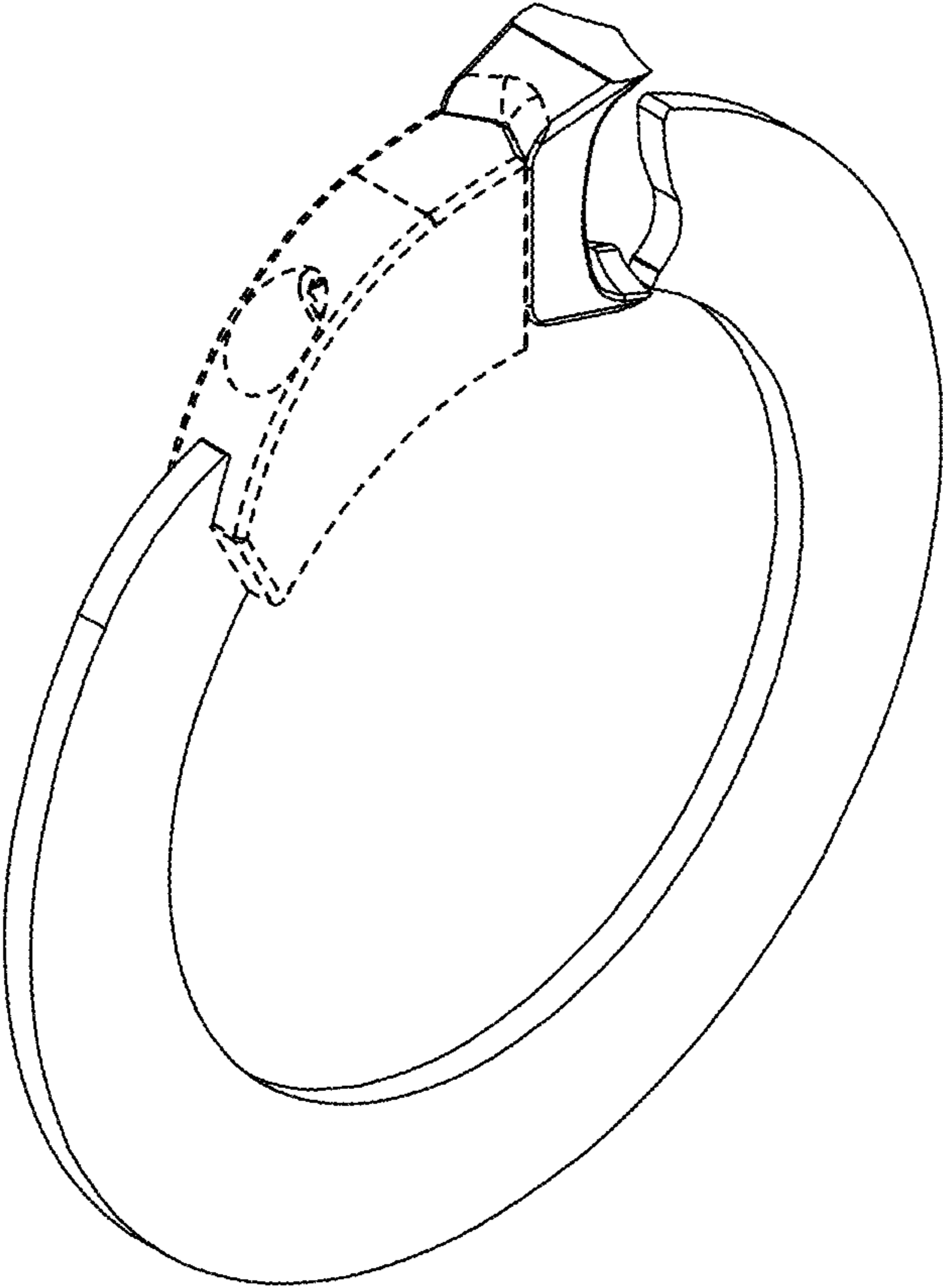


FIG. 8

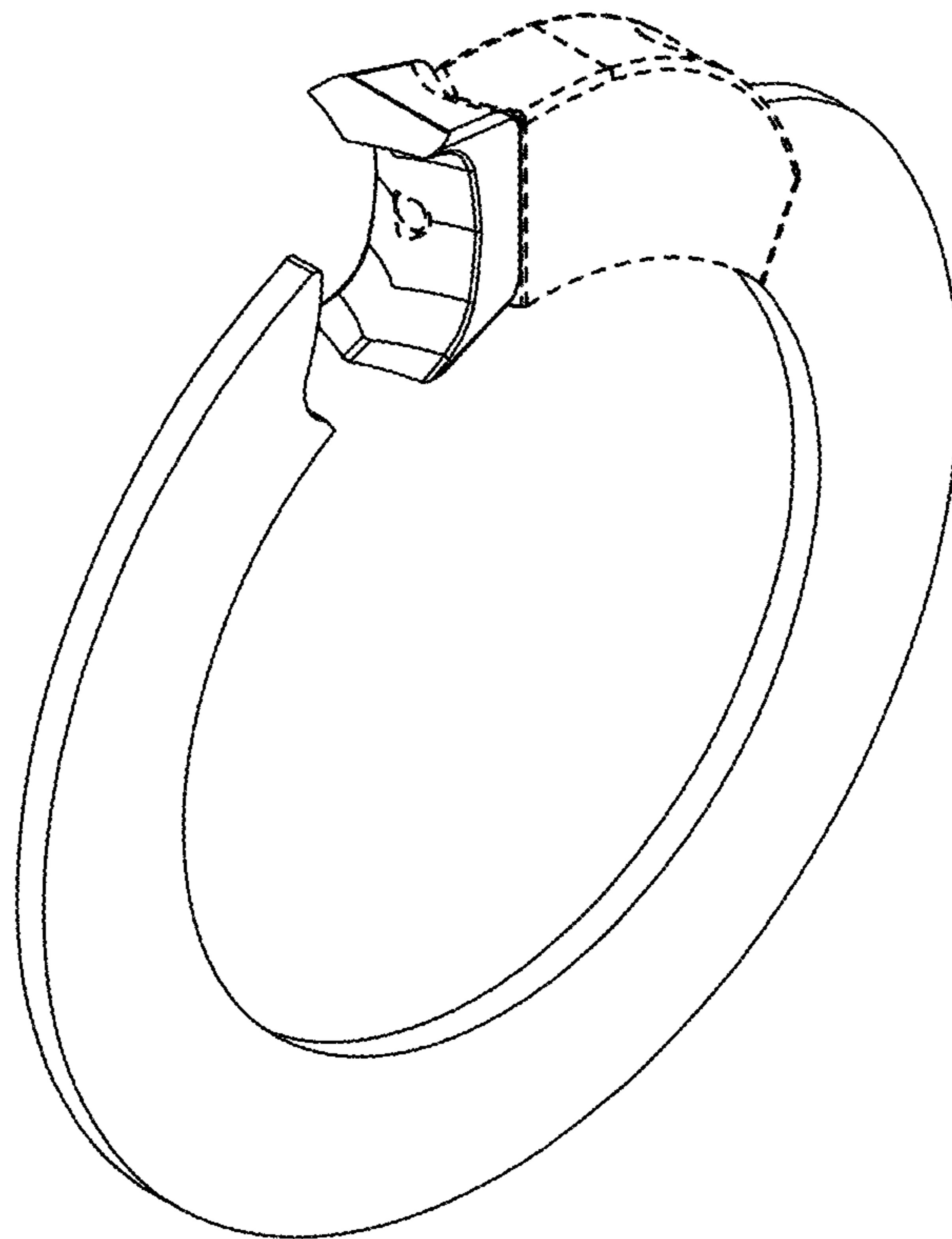


FIG. 9

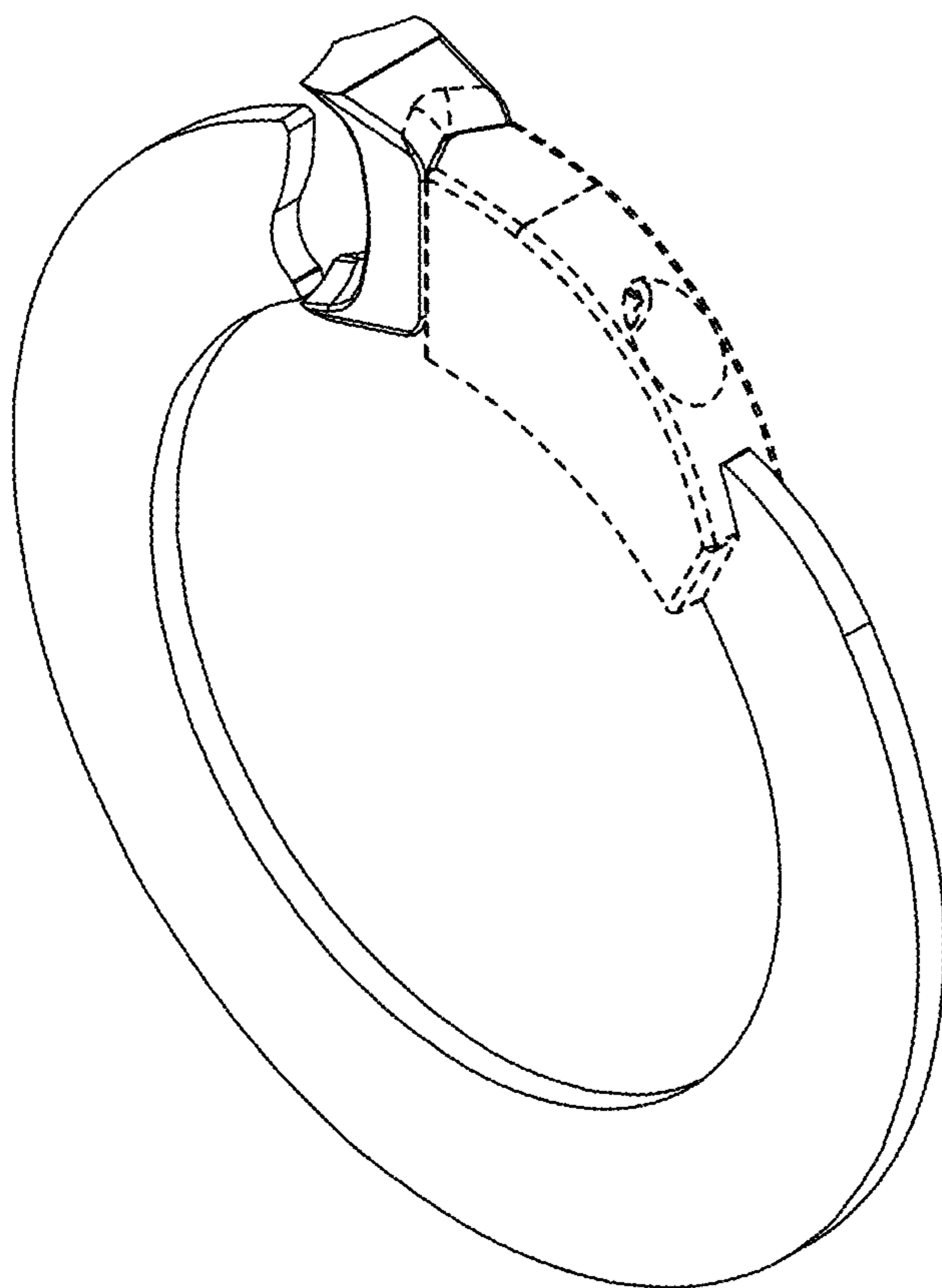


FIG. 10

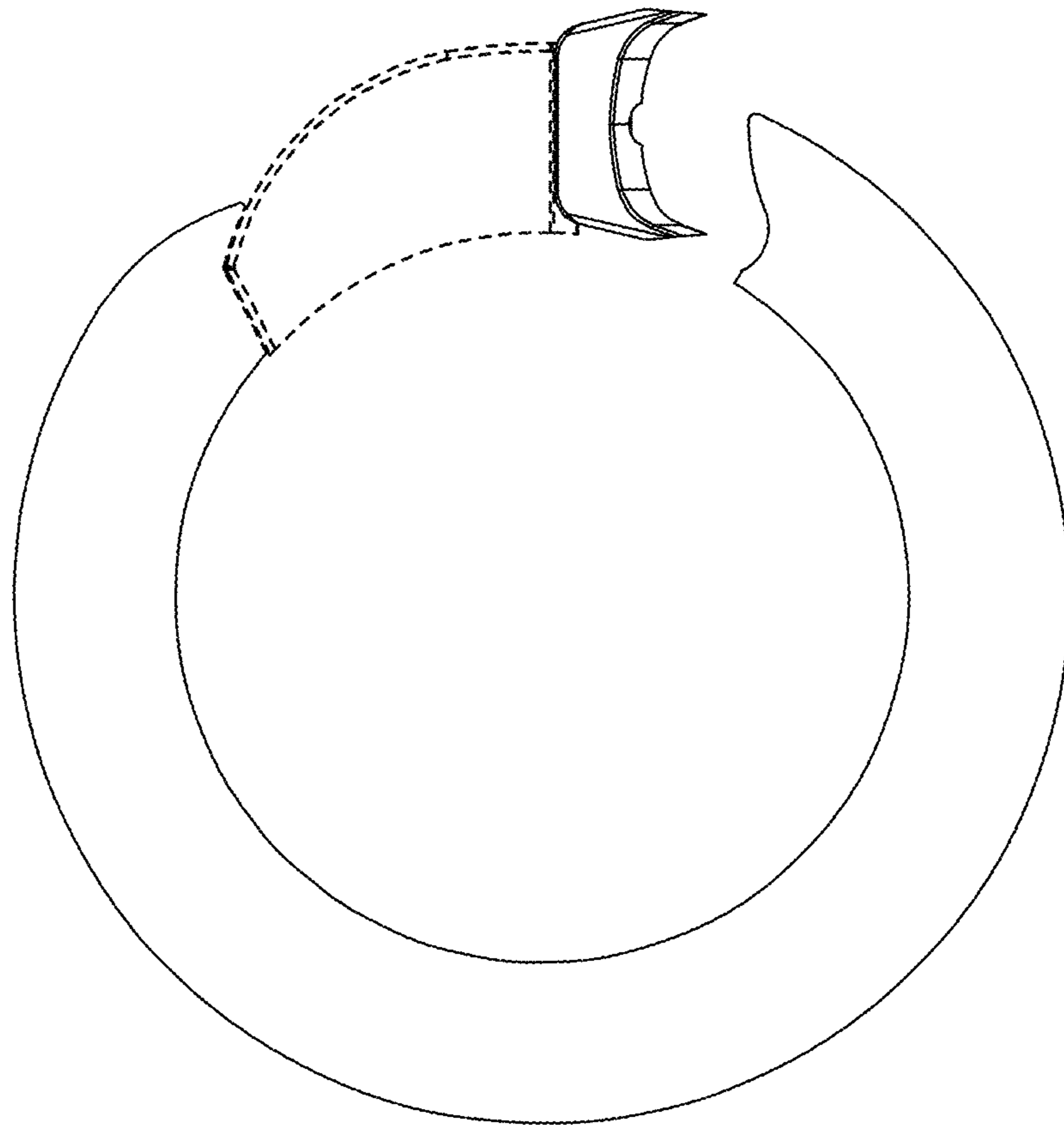


FIG. 11

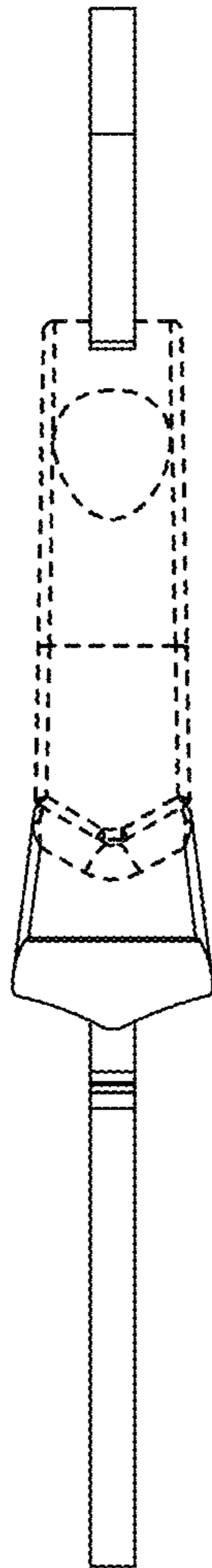


FIG. 12