



US00D772949S

(12) **United States Design Patent** (10) **Patent No.:** **US D772,949 S**
Ewringmann (45) **Date of Patent:** **** Nov. 29, 2016**

(54) **SCREED FOR A PAVING MACHINE**

(74) *Attorney, Agent, or Firm* — Fish & Richardson P.C.

(71) Applicant: **JOSEPH VOGELE AG,**
Ludwigshafen/Rhein (DE)

(57) **CLAIM**
The ornamental design for a screed for a paving machine, substantially as shown and described.

(72) Inventor: **Ulrich Ewringmann,**
Taufkirchen-Potzham (DE)

DESCRIPTION

(73) Assignee: **JOSEPH VOGELE AG,**
Ludwigshafen/Rhein (DE)

FIG. 1 is a perspective view of the screed for a paving machine of the present invention;
FIG. 2 is a further perspective view of the screed for a paving machine of the present invention;
FIG. 3 is a front view of the screed for a paving machine of the present invention;
FIG. 4 is a back view of the screed for a paving machine of the present invention;
FIG. 5 is a left side view of the screed for a paving machine of the present invention;
FIG. 6 is a right side view of the screed for a paving machine of the present invention;
FIG. 7 is a top view of the screed for a paving machine of the present invention;
FIG. 8 is a bottom view of the screed for a paving machine of the present invention;
FIG. 9 is a perspective view of a second embodiment of the screed for a paving machine of the present invention;
FIG. 10 is a further perspective view of the screed for a paving machine of the present invention;
FIG. 11 is a front view of the screed for a paving machine of the present invention;
FIG. 12 is a back view of the screed for a paving machine of the present invention;
FIG. 13 is a left side view of the screed for a paving machine of the present invention;
FIG. 14 is a right side view of the screed for a paving machine of the present invention;
FIG. 15 is a top view of the screed for a paving machine of the present invention; and,
FIG. 16 is a bottom view of the screed for a paving machine of the present invention.

(**) Term: **15 Years**

(21) Appl. No.: **29/538,062**

(22) Filed: **Aug. 31, 2015**

Related U.S. Application Data

(62) Division of application No. 29/433,491, filed on Oct. 1, 2012, now Pat. No. Des. 745,062.

(30) **Foreign Application Priority Data**

Mar. 29, 2012 (EM) 001322689

(51) **LOC (10) Cl.** **15-03**

(52) **U.S. Cl.**
USPC **D15/19; D15/28**

(58) **Field of Classification Search**
USPC D15/10, 13, 19, 22–26, 28; 404/110, 404/101, 108, 75, 102, 118, 84.08, 105
CPC E01C 19/4873; E01C 19/48; E01C 19/00
See application file for complete search history.

(56) **References Cited**

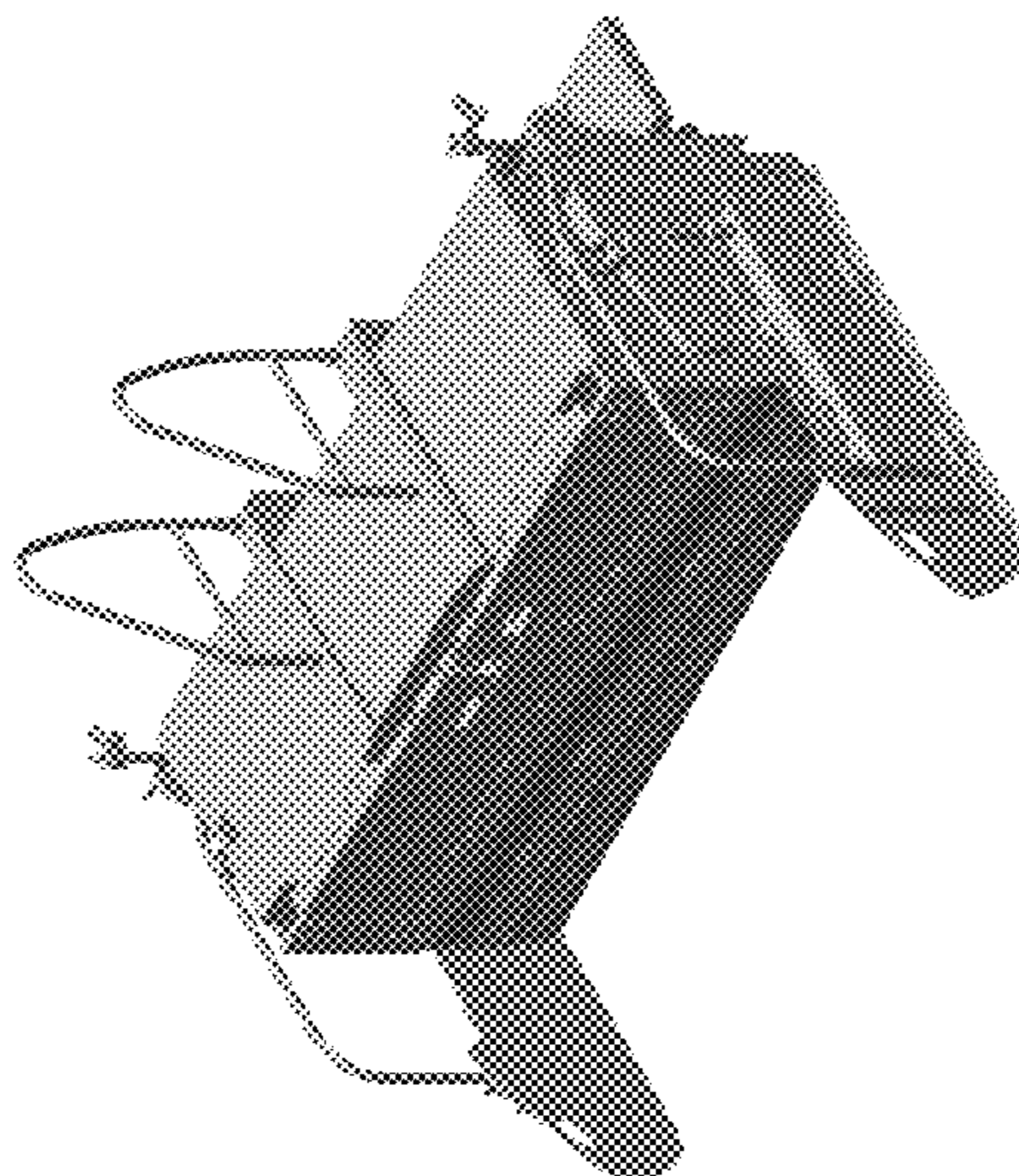
U.S. PATENT DOCUMENTS

3,557,672 A 1/1971 Shurtz et al.
3,907,451 A 9/1975 Fisher et al.
4,272,213 A 6/1981 McGovarin

(Continued)

Primary Examiner — Mark Goodwin

1 Claim, 16 Drawing Sheets



(56)

References Cited

U.S. PATENT DOCUMENTS

5,201,603	A	4/1993	Bassett et al.	6,375,386	B1	4/2002	Macku et al.
5,203,642	A	4/1993	Heller et al.	7,121,763	B1	10/2006	Young et al.
6,099,205	A	8/2000	Macku et al.	7,413,377	B2	8/2008	Pontano, III
6,203,243	B1	3/2001	Birtchet	7,651,295	B2	1/2010	Eppes et al.
6,273,636	B1	8/2001	Johanpeter	8,221,026	B2	7/2012	Munz et al.
				D672,790	S	12/2012	Kopacz et al.
				D673,981	S	1/2013	Kopacz et al.
				8,591,145	B1	11/2013	Engel et al.
				2007/0258769	A1	11/2007	Eppes

FIG. 1

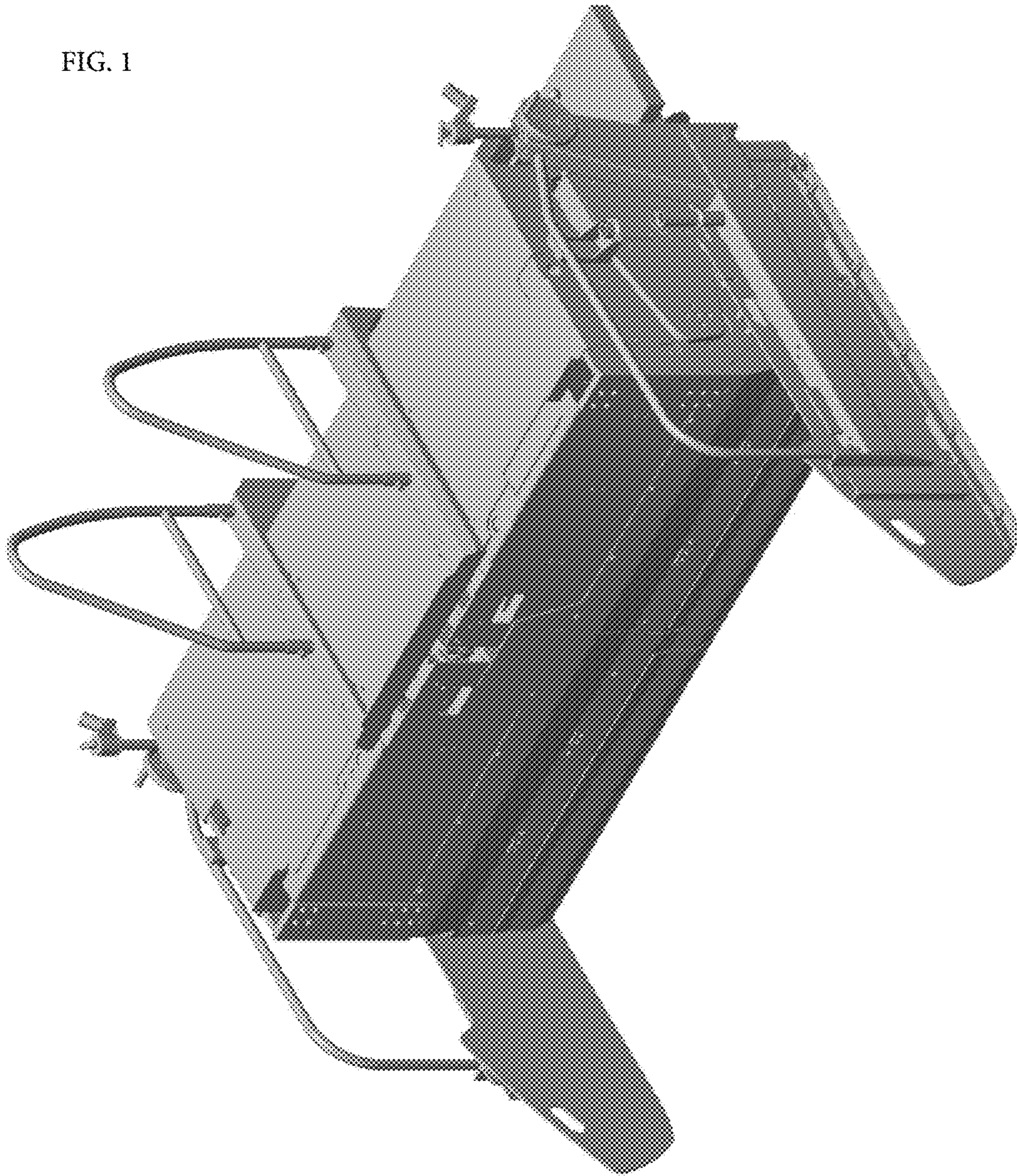


FIG. 2

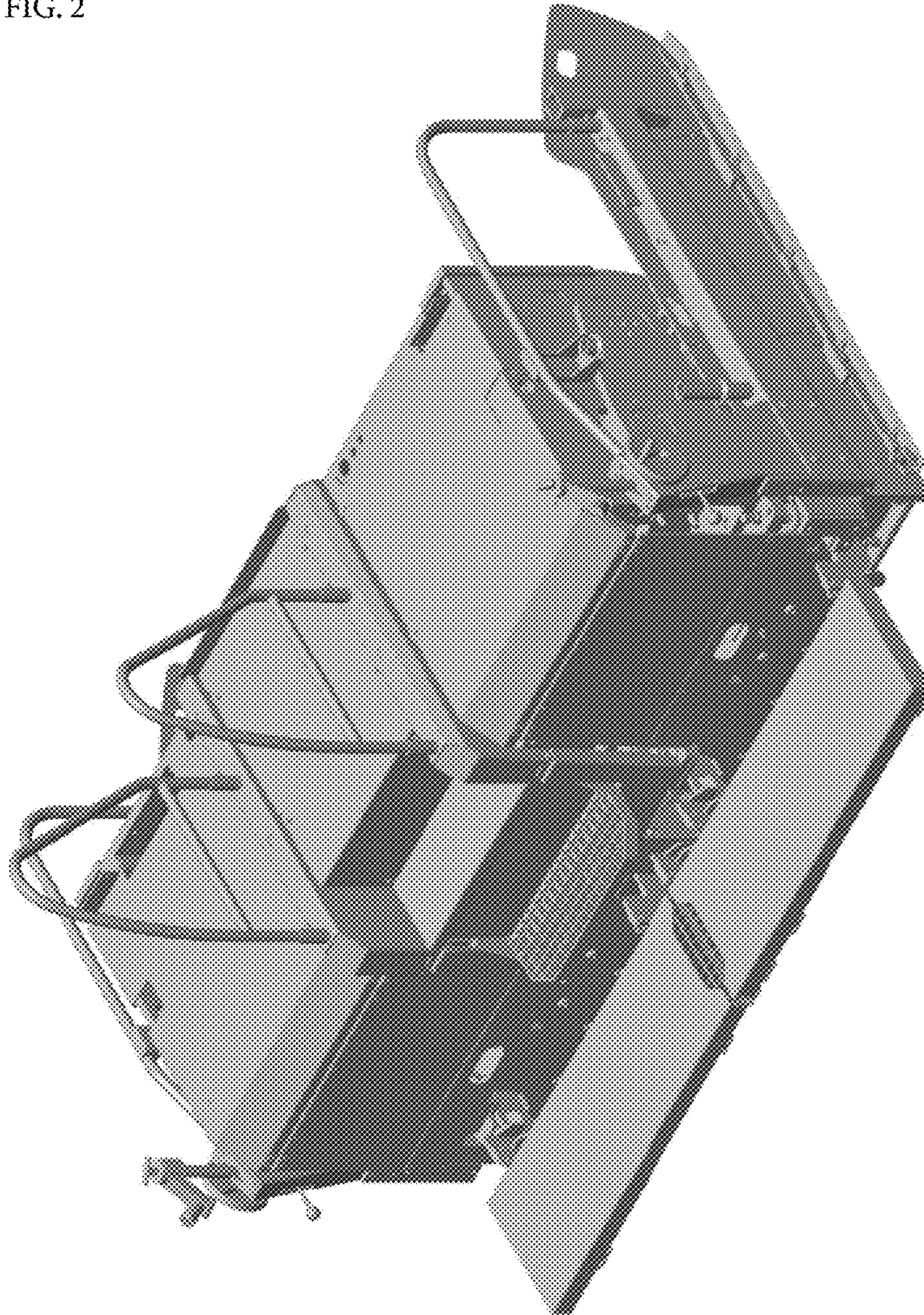


FIG. 3

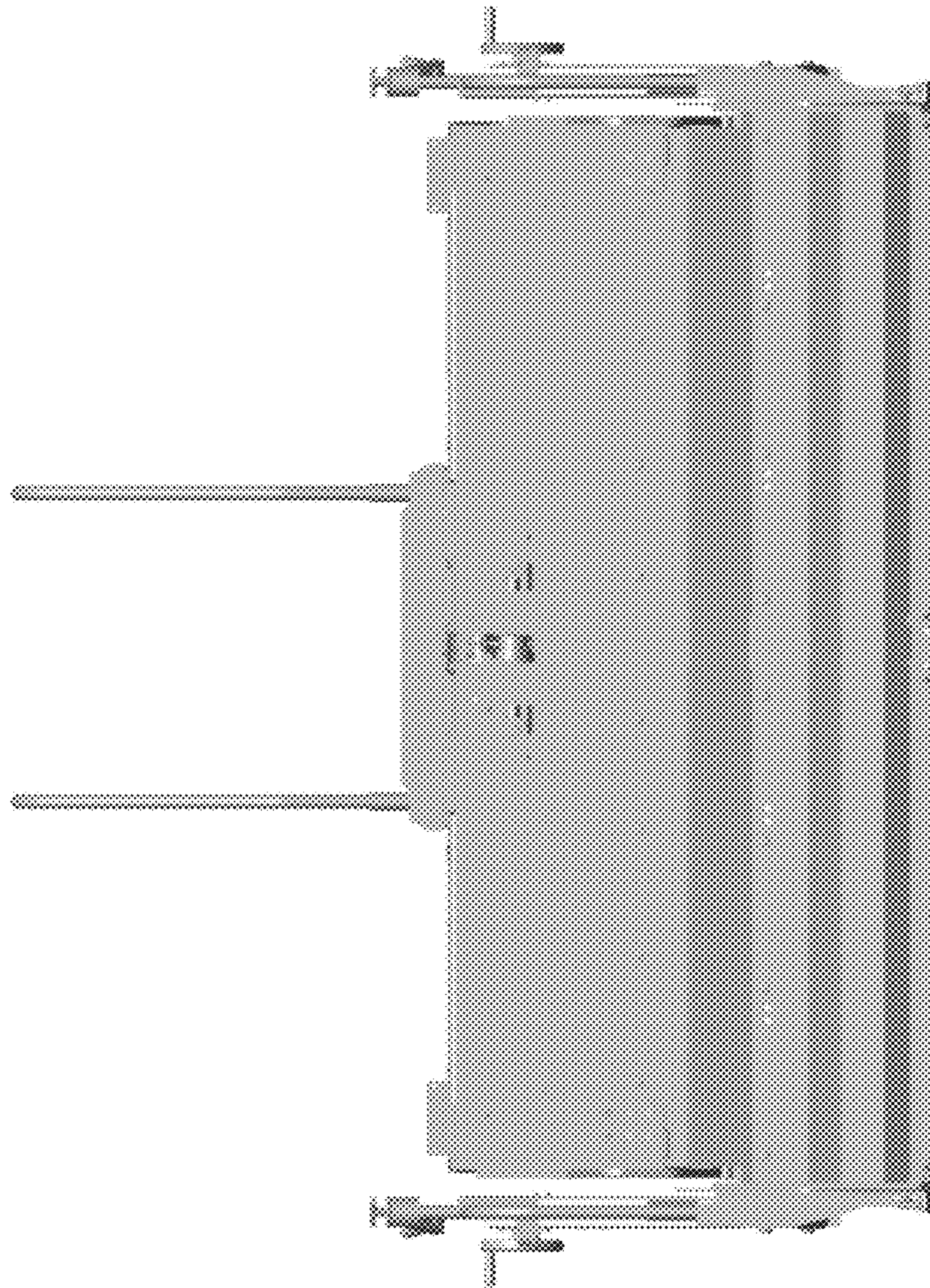


FIG. 4

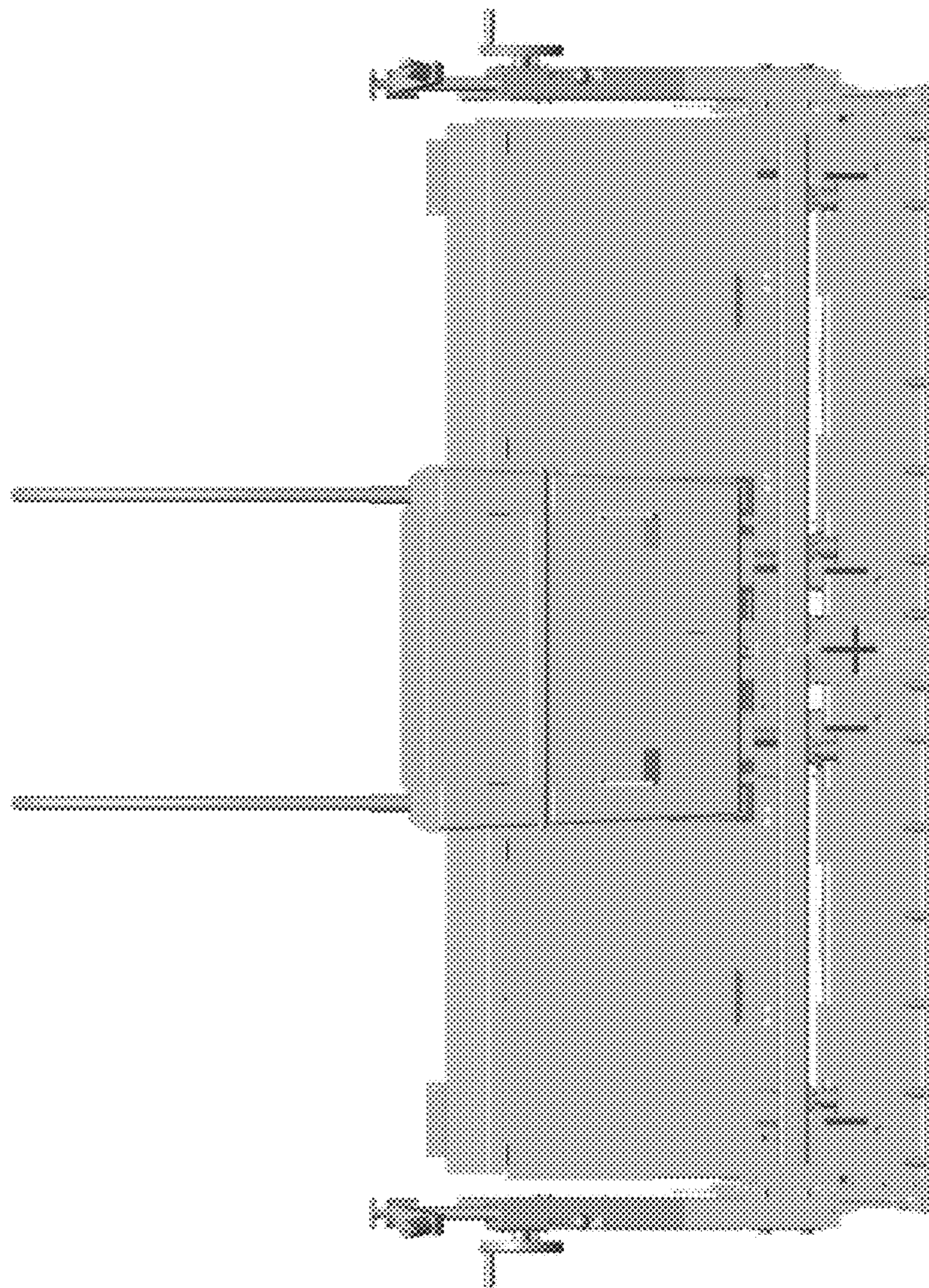


FIG. 5

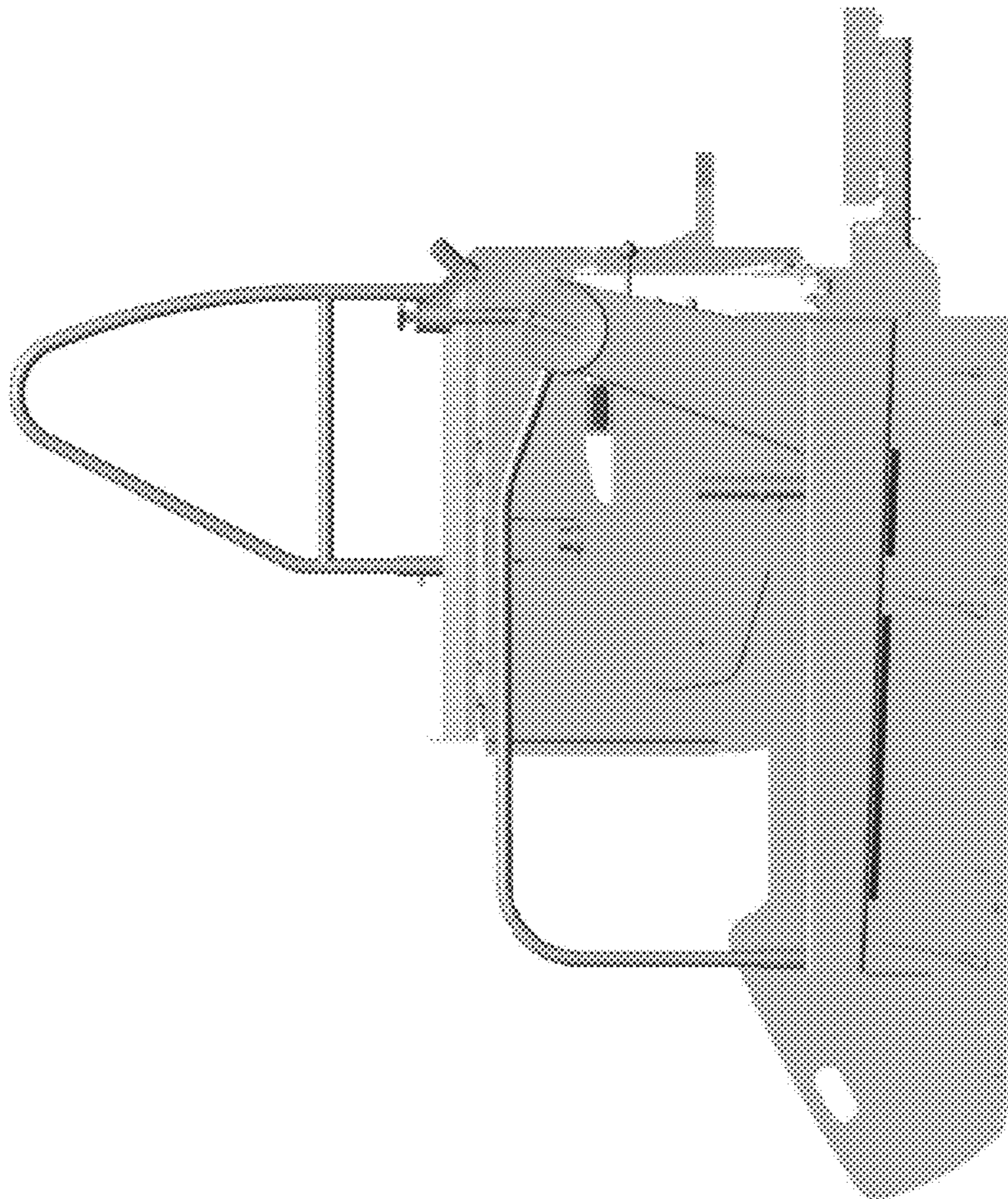


FIG. 6

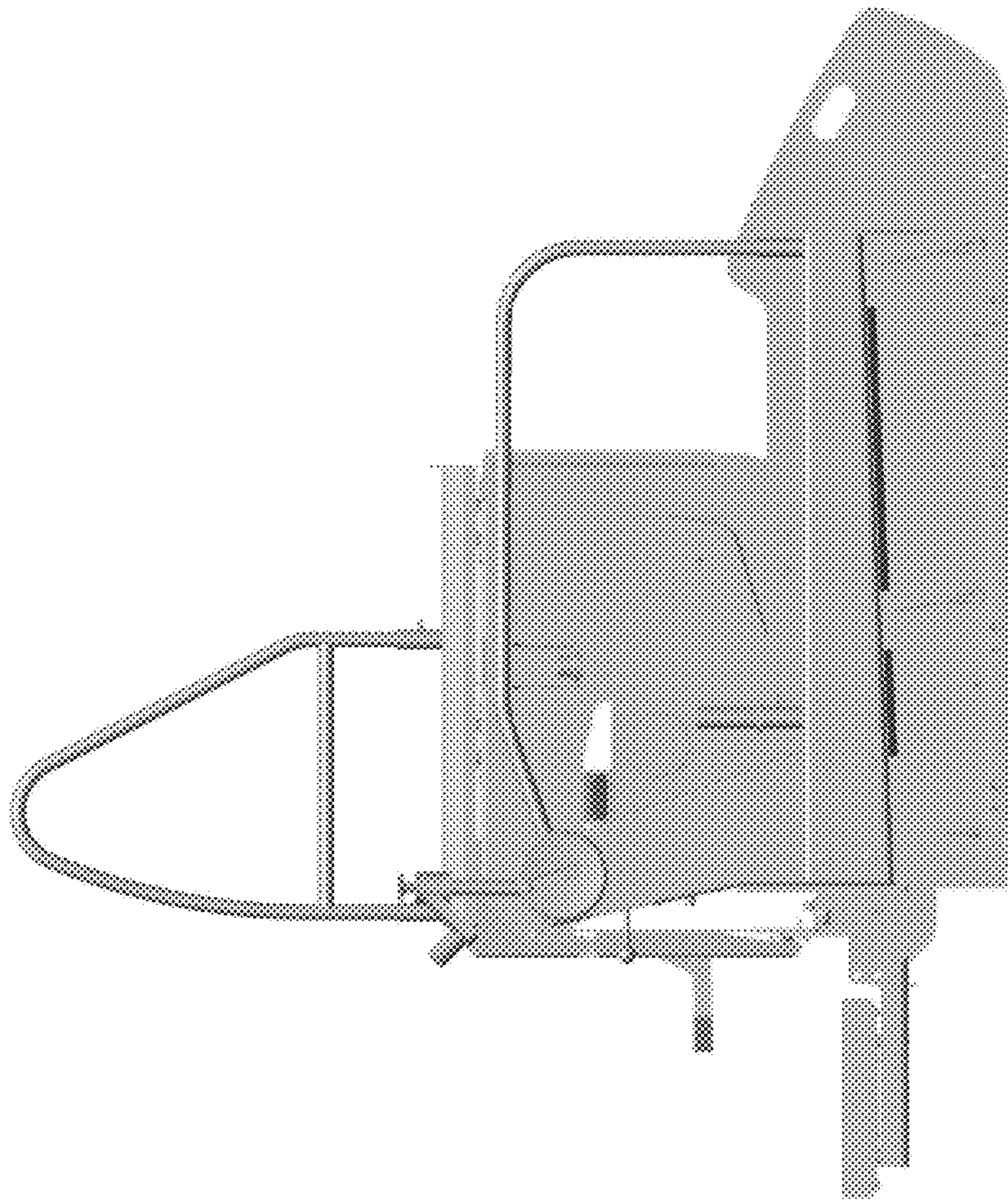


FIG. 7

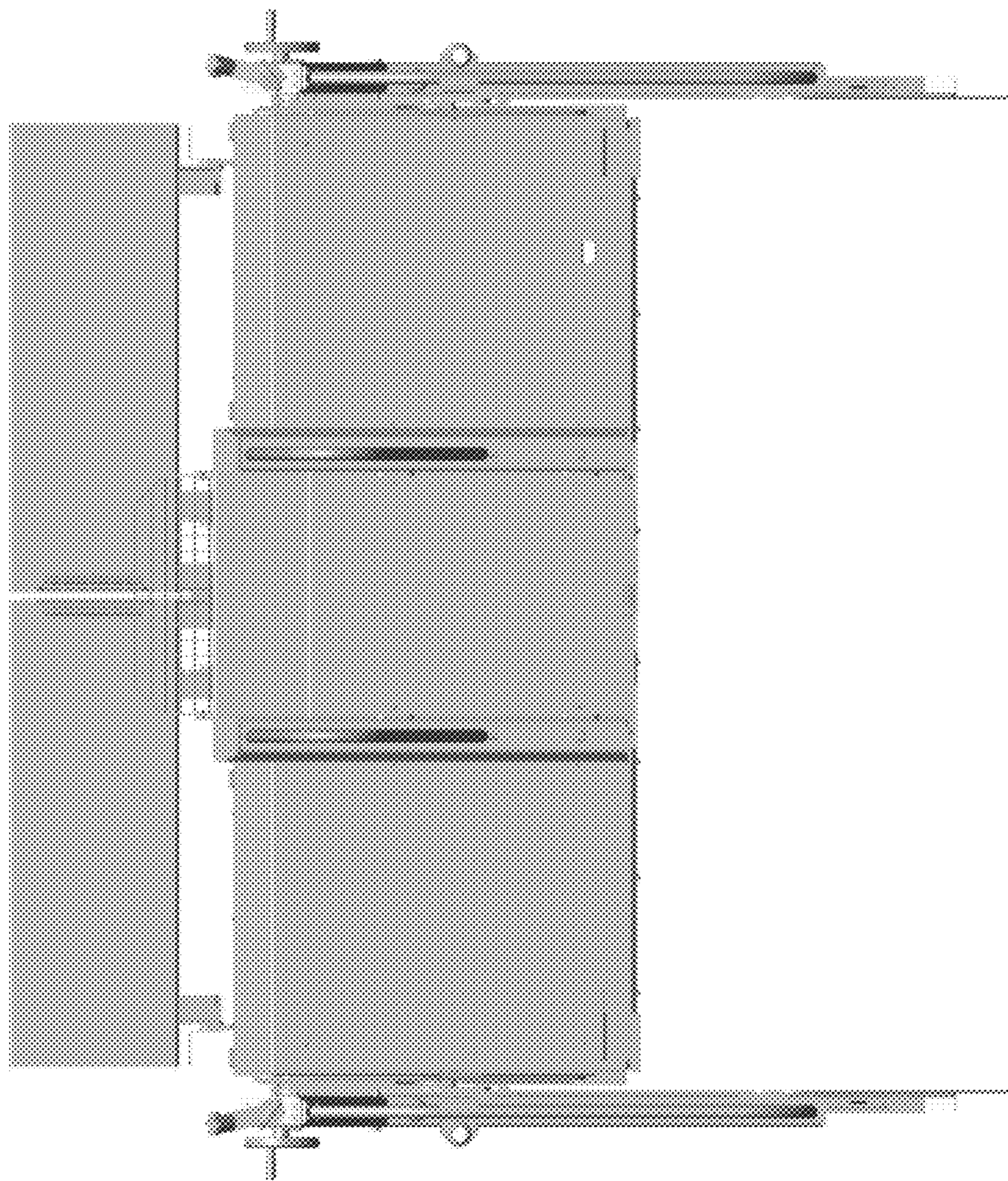


FIG. 8

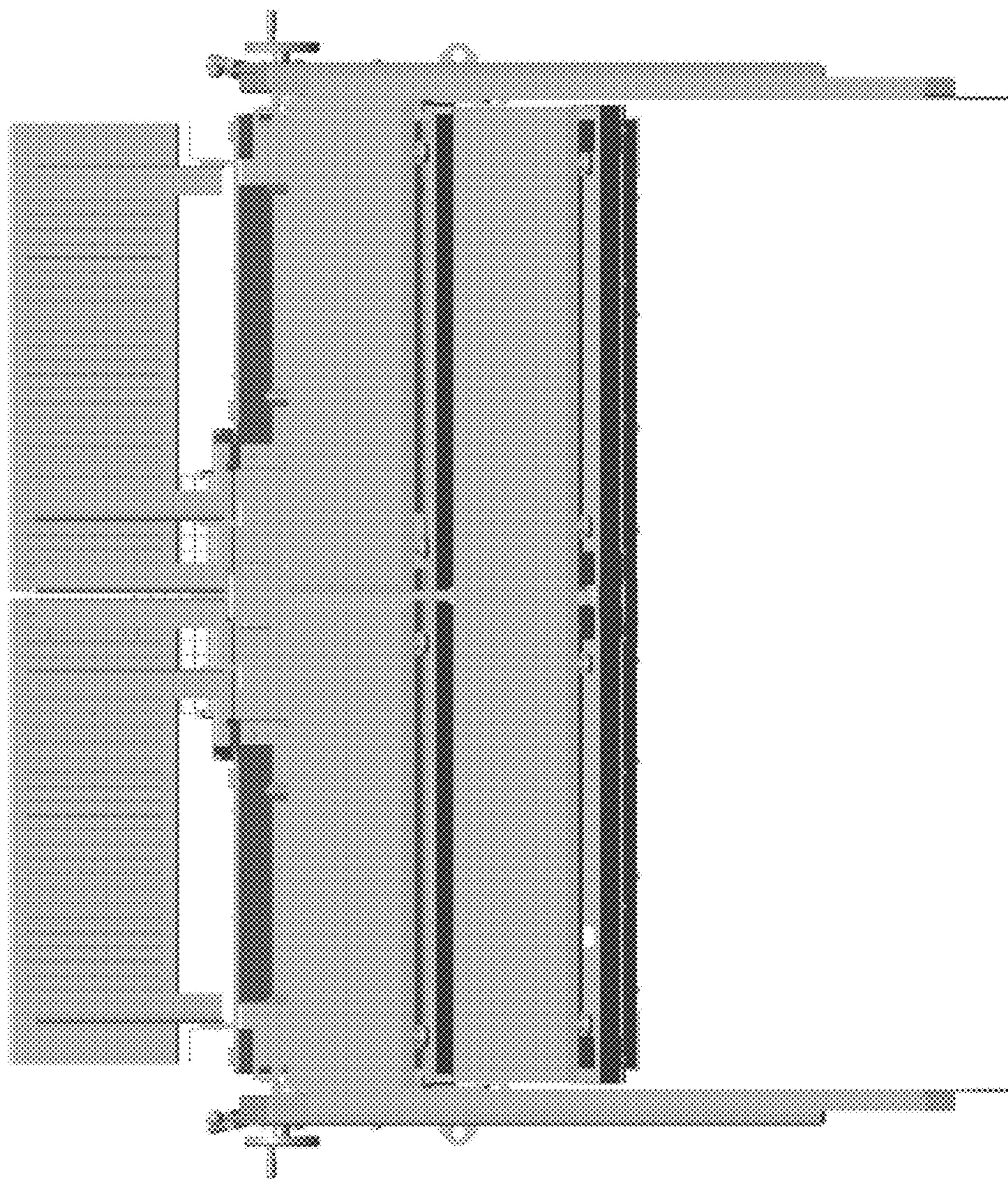


FIG. 9

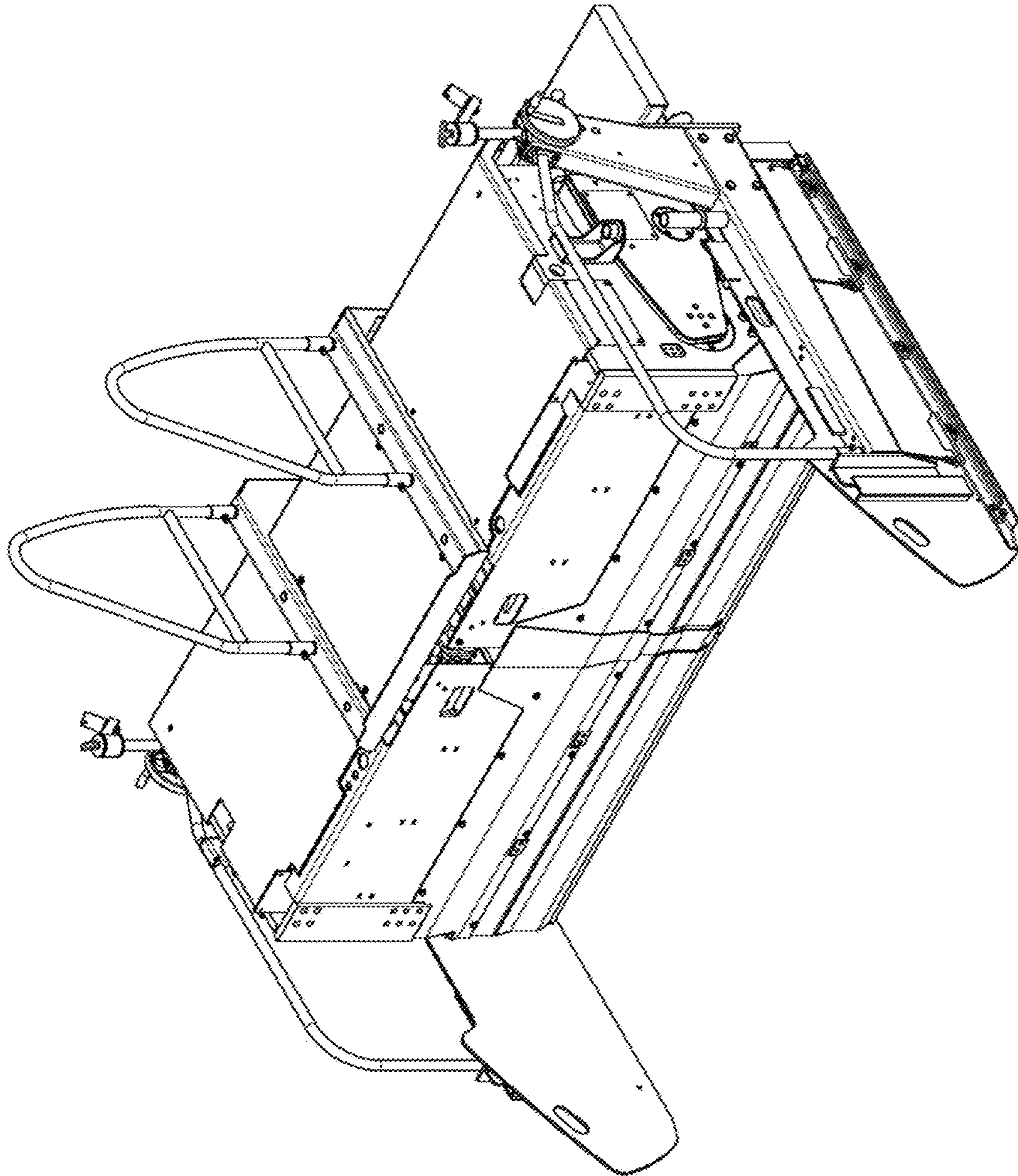


FIG. 10

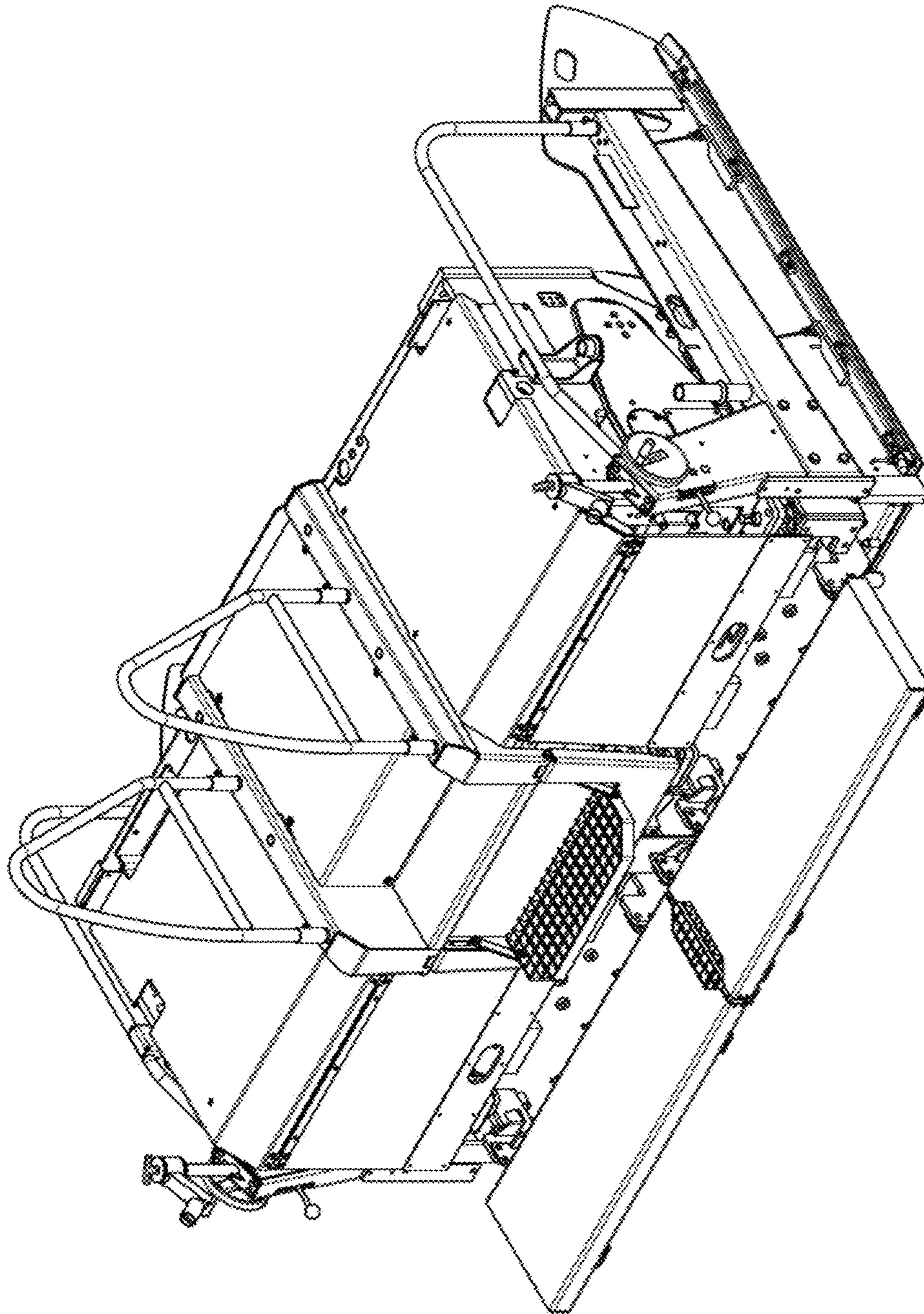


FIG. 11

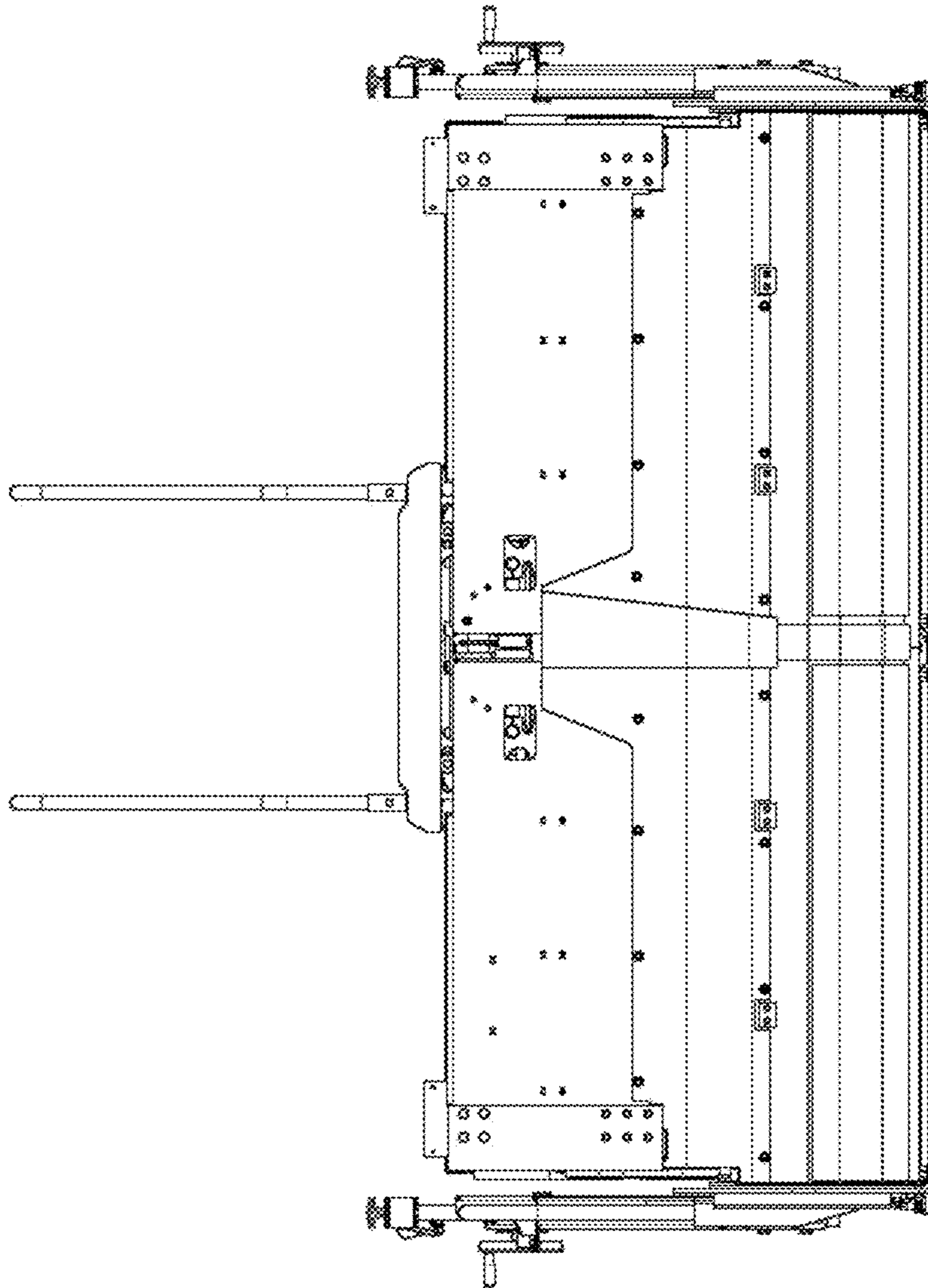


FIG. 12

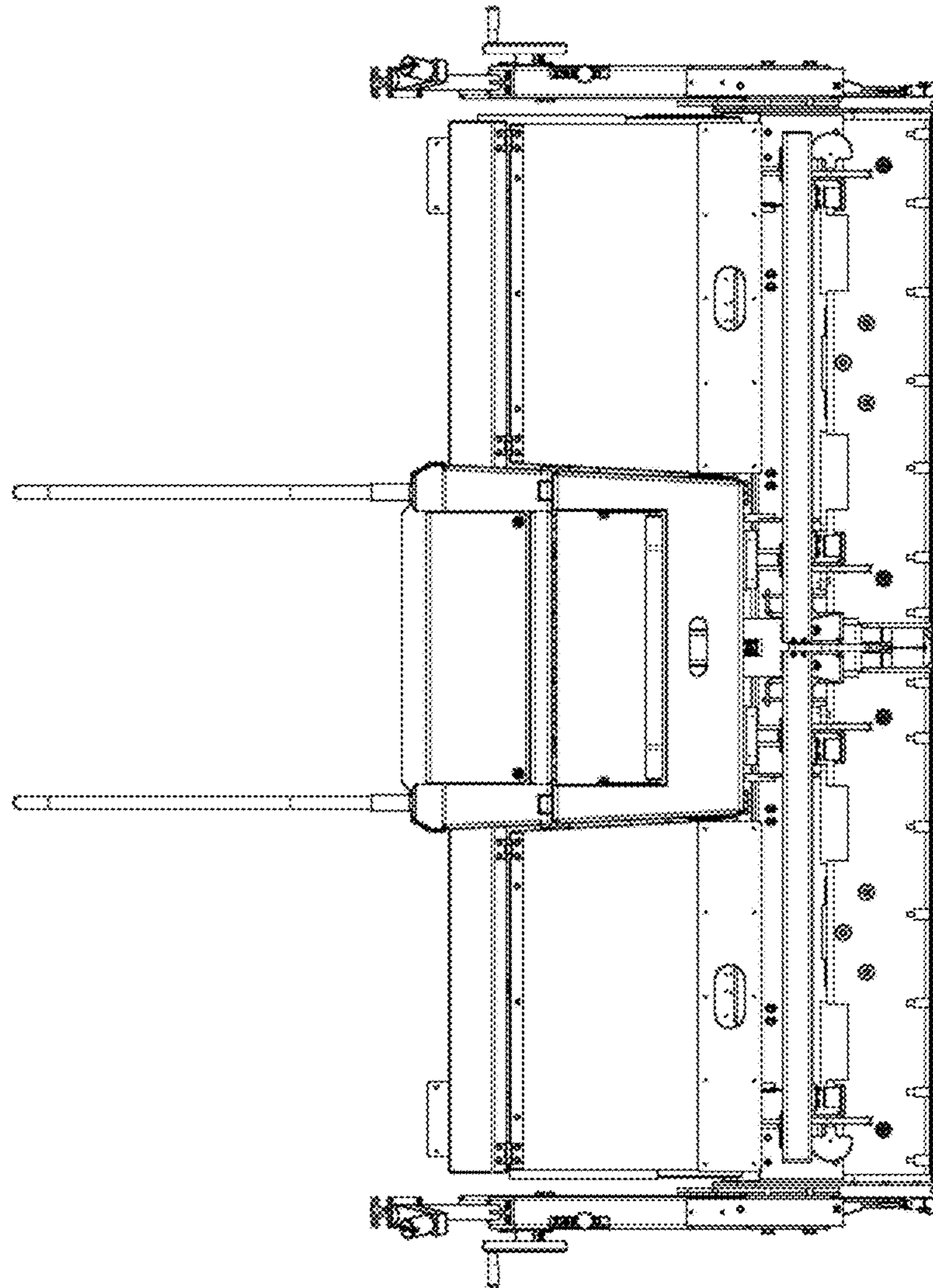


FIG. 13

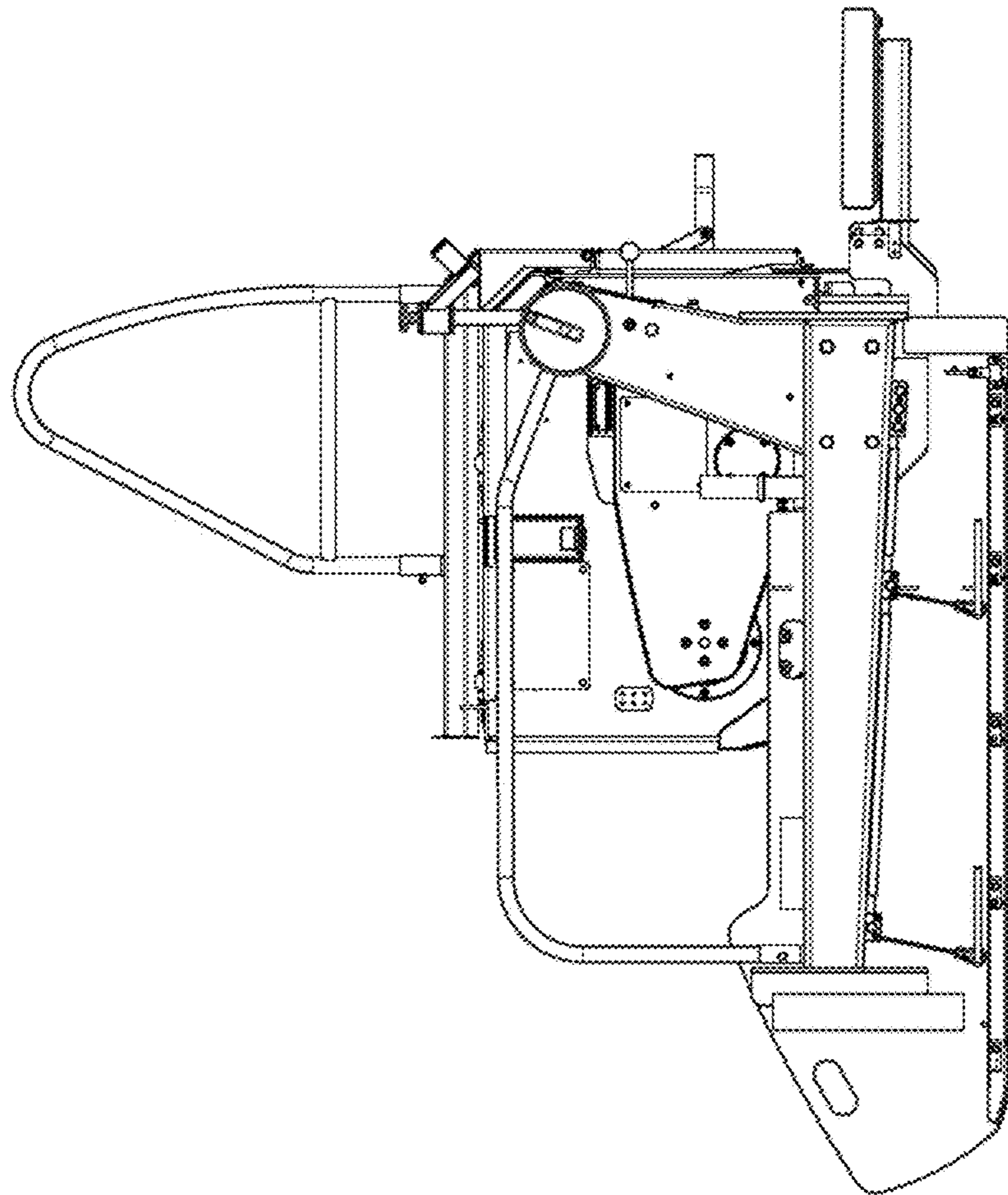


FIG. 14

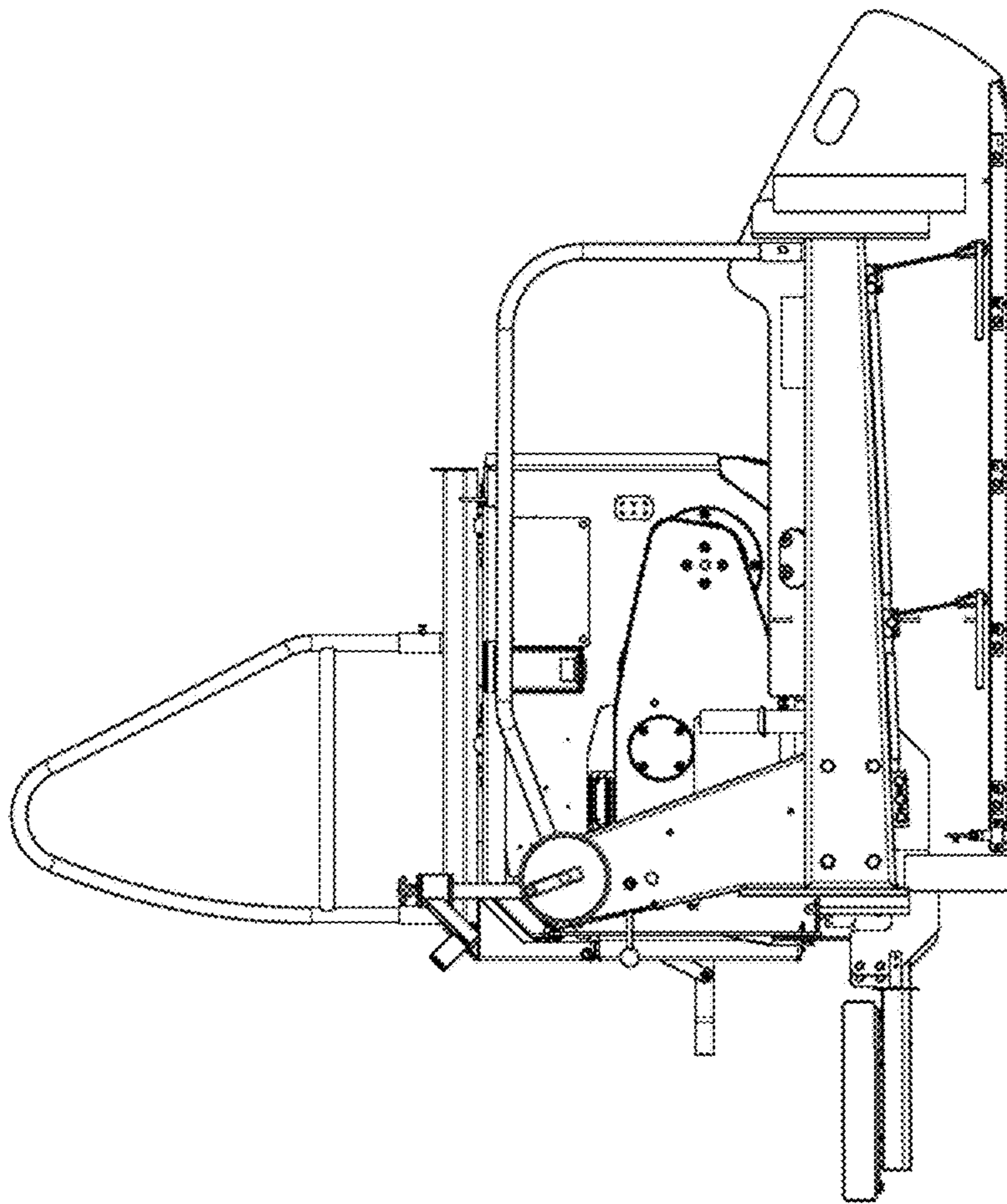


FIG. 15

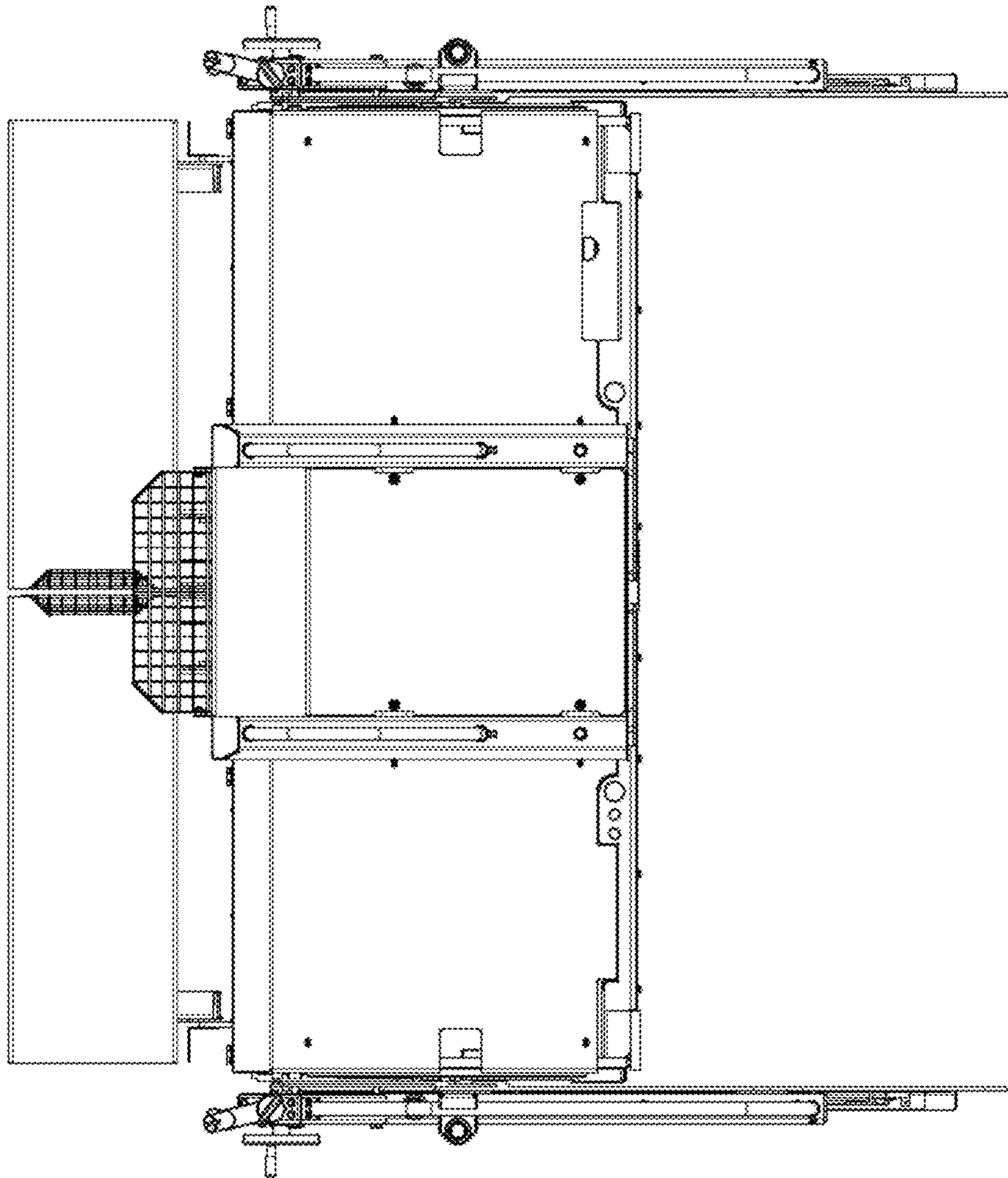


FIG. 16

