



US00D772946S

(12) **United States Design Patent**  
**Harter**

(10) **Patent No.:** **US D772,946 S**

(45) **Date of Patent:** **\*\* Nov. 29, 2016**

- (54) **BALLOON MULTI-FILL SYSTEM**
- (71) Applicant: **Hydro Toys, LLC**, Austin, TX (US)
- (72) Inventor: **Kendall D. Harter**, Spicewood, TX (US)
- (73) Assignee: **KBIDC INVESTMENTS, LLC**, Austin, TX (US)
- (\*\*) Term: **15 Years**
- (21) Appl. No.: **29/537,092**
- (22) Filed: **Aug. 21, 2015**
- (51) **LOC (10) Cl.** ..... **15-02**
- (52) **U.S. Cl.**  
USPC ..... **D15/7**
- (58) **Field of Classification Search**  
USPC ..... D15/7-9; D23/231, 232, 225; 417/60, 417/235, 265, 321, 355, 358, 363, 359, 417/410.1, 415-416, 405, 900; 60/408, 60/412; 184/26-37; 415/140-147; 123/495, 509; 53/434; D21/439, 440, D21/453; 141/313  
CPC ..... B65B 43/36; B65B 39/02; B65B 1/04  
See application file for complete search history.

- 5,588,896 A \* 12/1996 Goodman ..... A63H 27/10 124/57
- 6,478,651 B1 \* 11/2002 Weir ..... G09F 19/00 40/212
- 8,789,565 B1 \* 7/2014 Wicken ..... A63H 27/10 141/237
- 8,968,047 B1 \* 3/2015 Wicken ..... F16M 11/16 211/13.1
- 9,051,066 B1 \* 6/2015 Malone ..... A61J 1/10
- D738,402 S \* 9/2015 Nelson ..... D15/7
- D739,474 S \* 9/2015 Wicken ..... D21/453
- 9,315,282 B2 \* 4/2016 Malone ..... B65B 3/17

\* cited by examiner

*Primary Examiner* — Ralf Seifert

(74) *Attorney, Agent, or Firm* — Mark E. Scott; Conley Rose, PC

(57) **CLAIM**

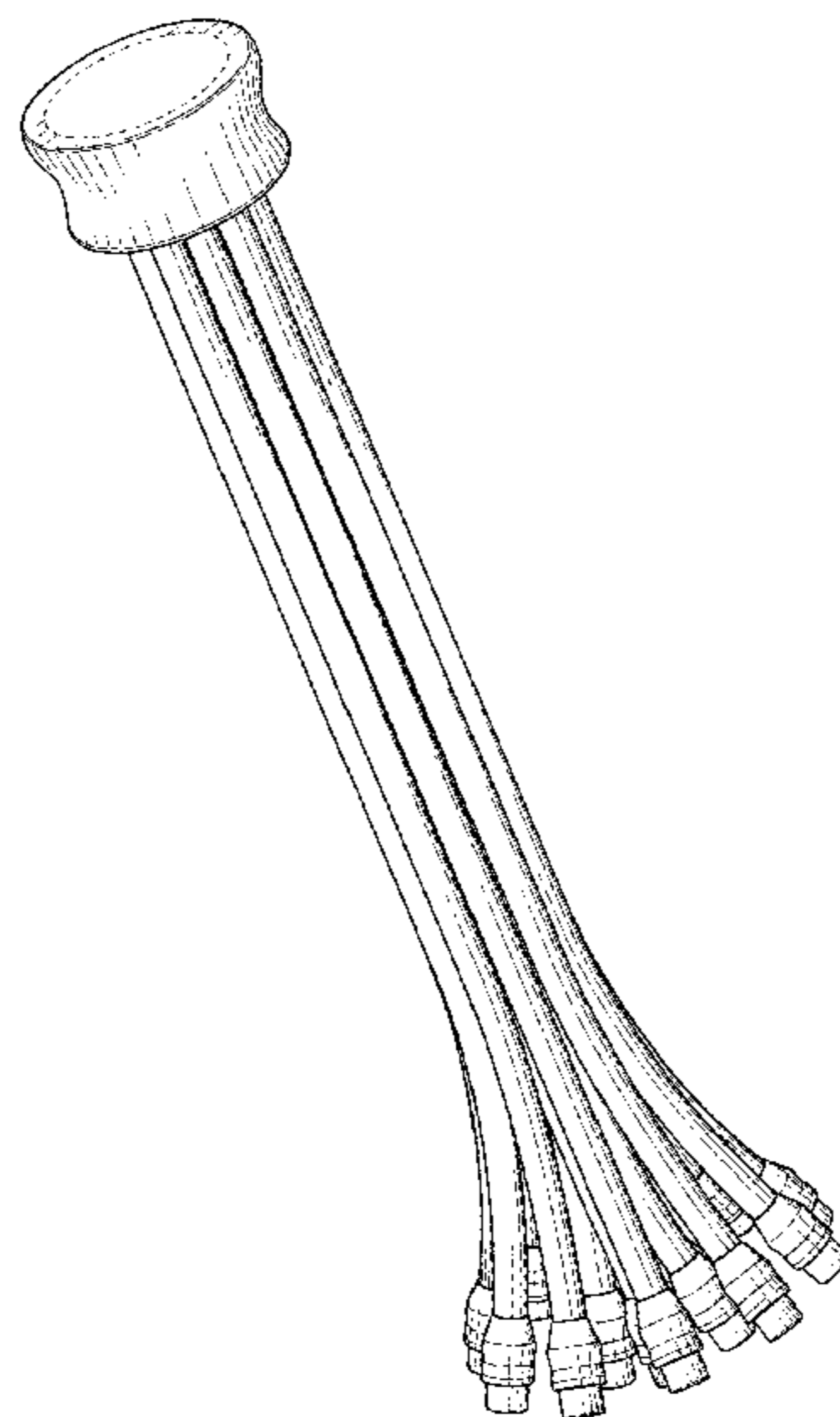
The ornamental design for a balloon multi-fill system, as shown and described.

**DESCRIPTION**

FIG. 1 is a perspective view of a balloon multi-fill system showing my new design;  
 FIG. 2 is a front elevation view thereof;  
 FIG. 3 is a first side elevation view thereof;  
 FIG. 4 is a top elevation view thereof;  
 FIG. 5 is a bottom elevation view thereof; and,  
 FIG. 6 is a magnified view of a portion of FIG. 3.  
 The portion of the balloon multi-fill system shown in broken lines forms no part of the claimed design. The back elevation view is omitted as the back elevation view is a mirror image of the front elevation view. The second side elevation view is omitted as the second side elevation view is a mirror image of the first side elevation view.  
 The broken lines are included for the purpose of illustrating portions of balloon multi-fill system that form no part of the claimed design.

**1 Claim, 3 Drawing Sheets**

- (56) **References Cited**  
U.S. PATENT DOCUMENTS
- 1,570,567 A \* 1/1926 Holycross ..... A63H 27/10 446/186
- 4,892,500 A \* 1/1990 Lau ..... A63H 27/10 285/125.1
- D311,055 S \* 10/1990 Corley ..... D15/7
- 5,029,851 A \* 7/1991 Hagen ..... A63F 9/0079 273/458
- D325,586 S \* 4/1992 Carroll ..... 137/223
- 5,127,867 A \* 7/1992 Lau ..... G09F 19/00 446/221
- D333,664 S \* 3/1993 Carroll ..... D15/7



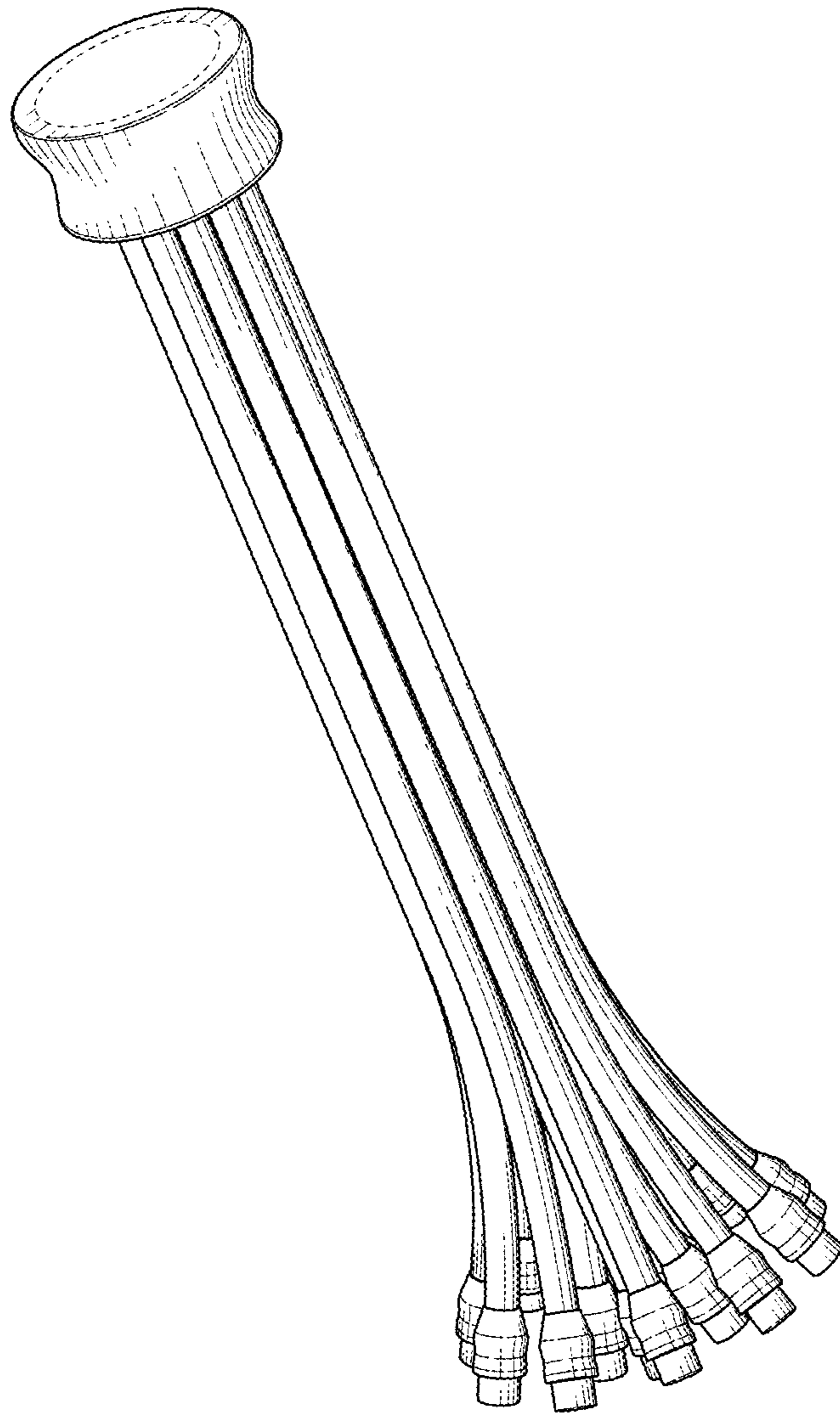


FIG. 1

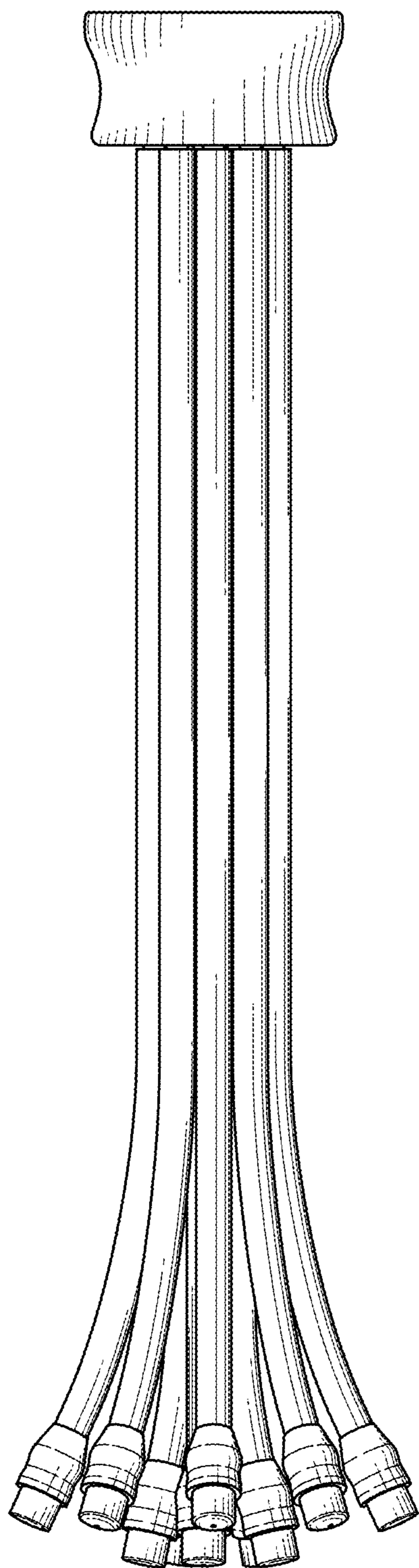


FIG. 2

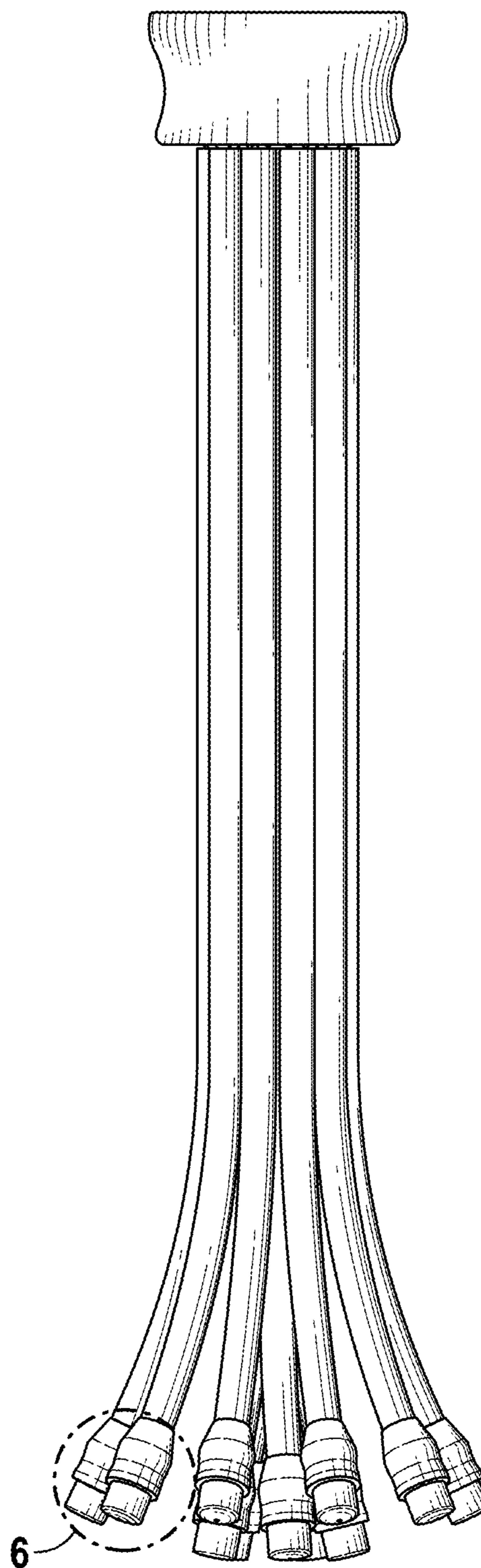


FIG. 3

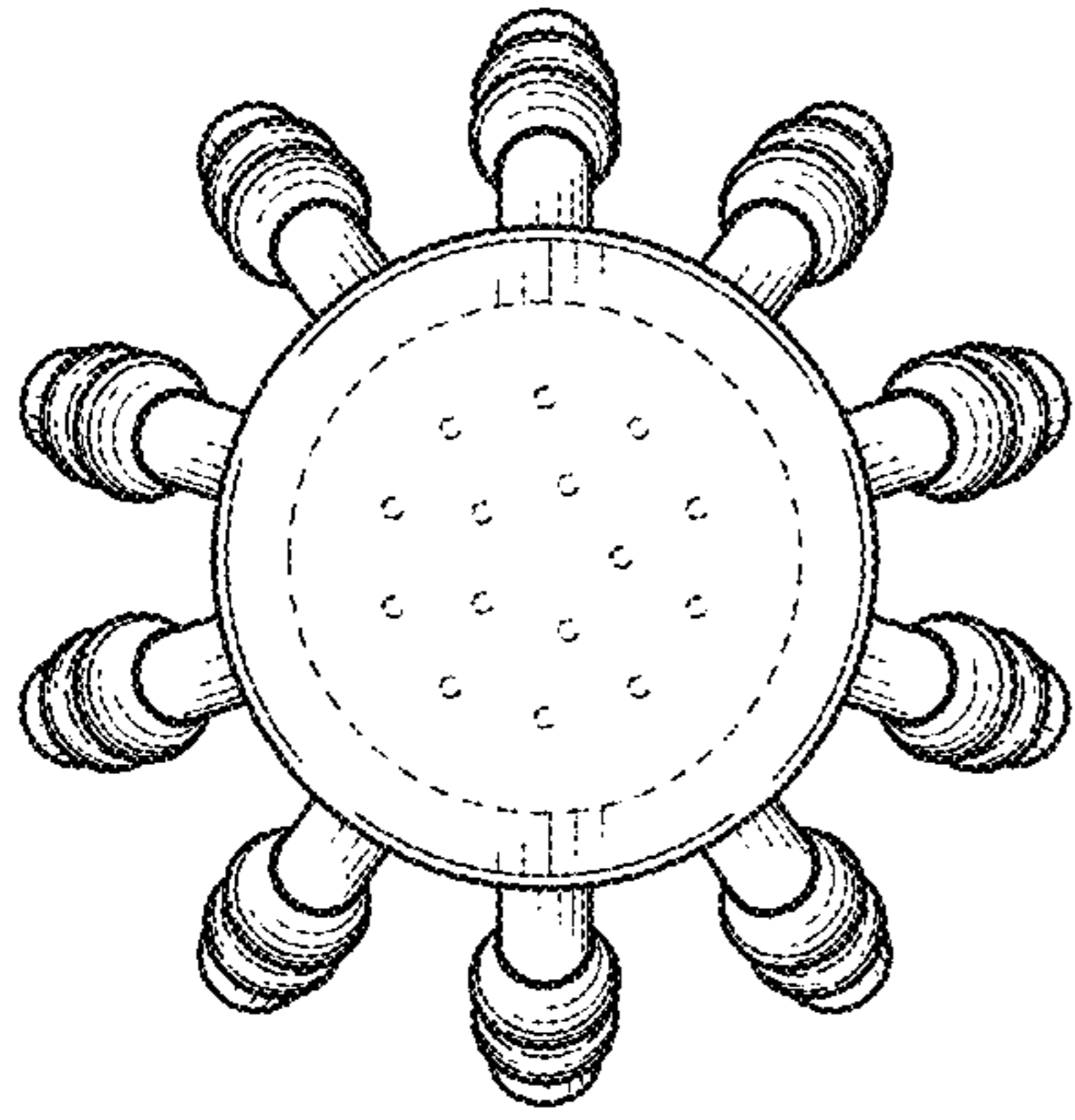


FIG. 4

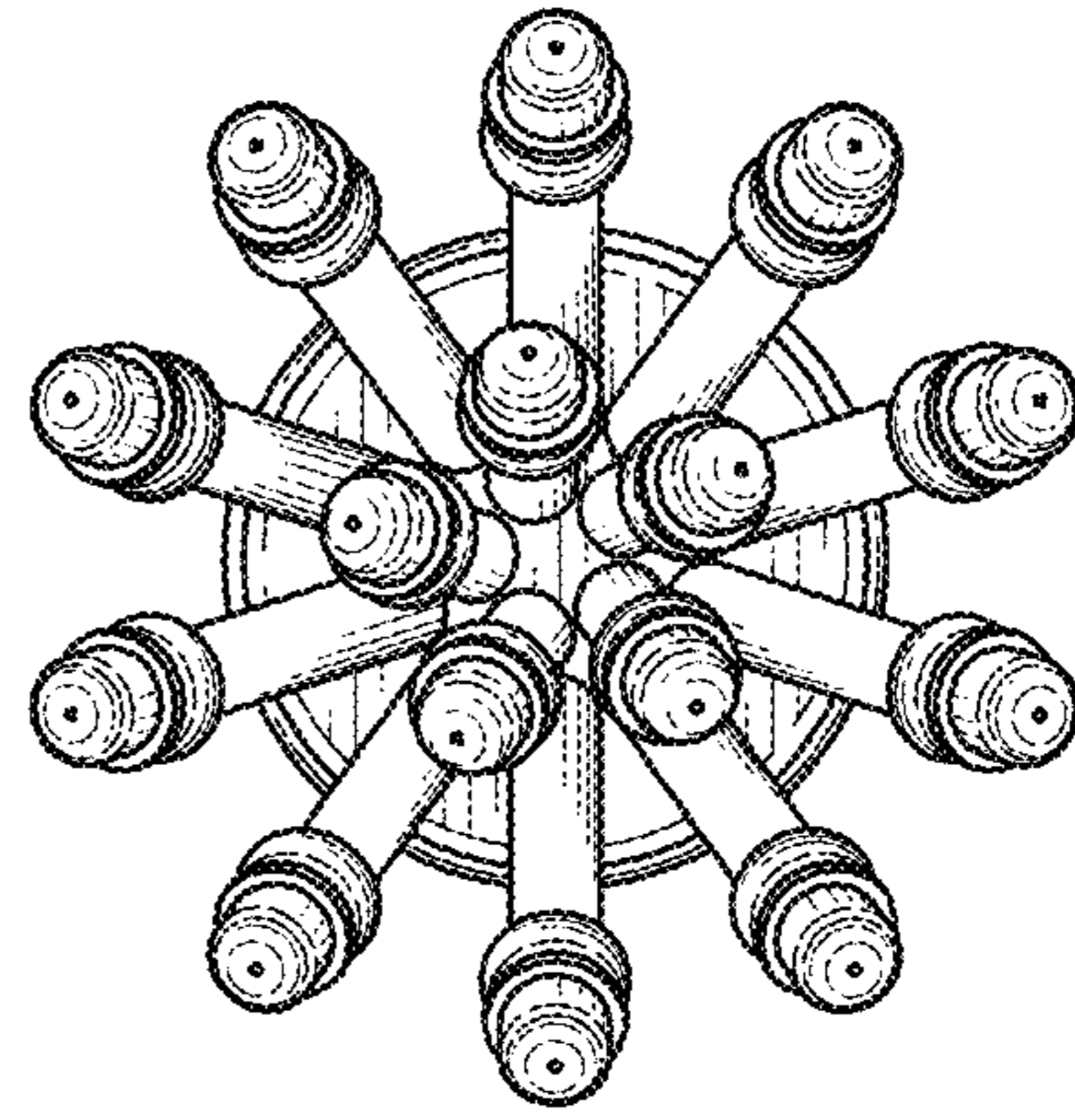


FIG. 5

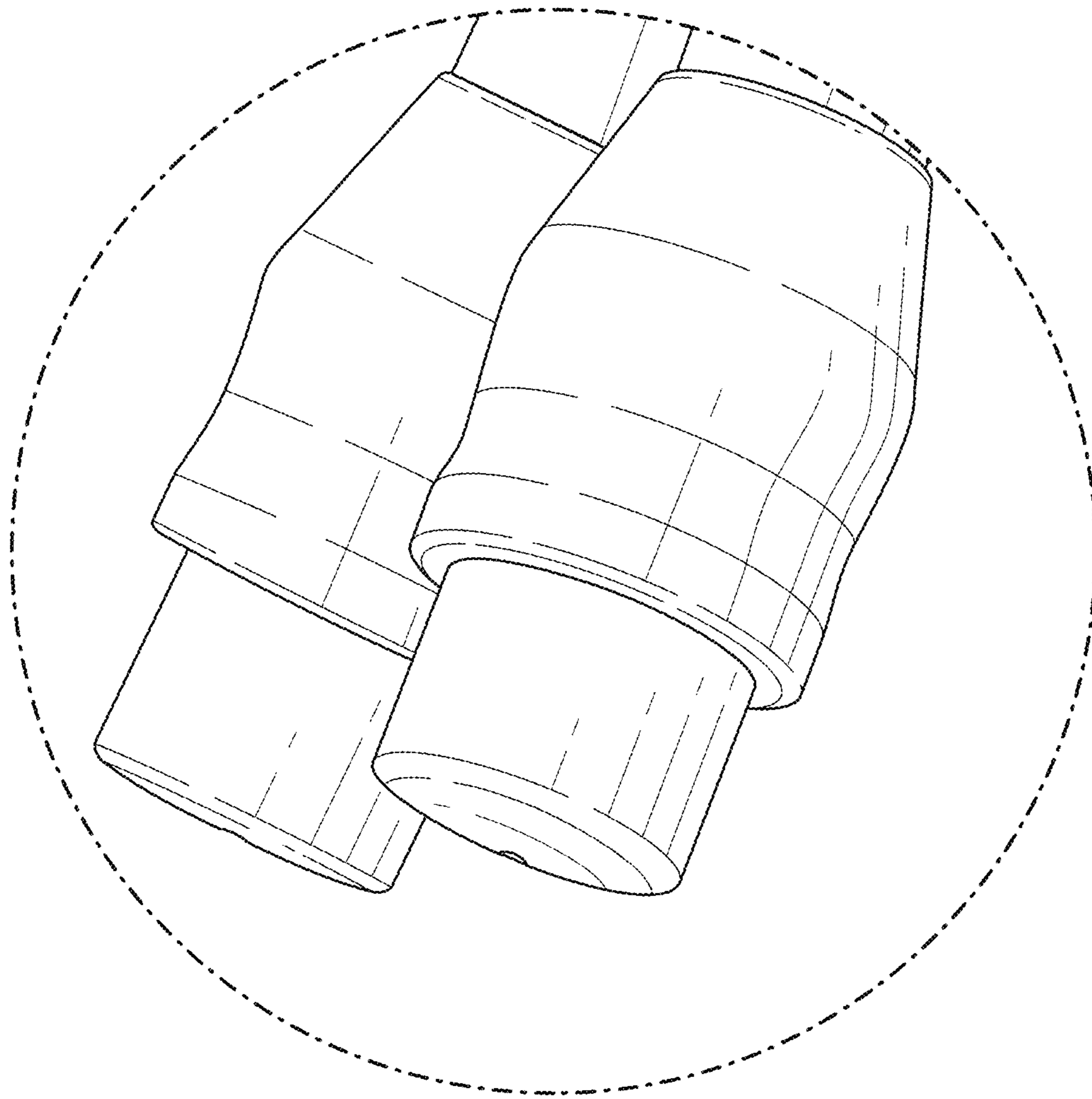


FIG. 6