



US00D772945S

(12) **United States Design Patent** (10) **Patent No.:** **US D772,945 S**
Fox (45) **Date of Patent:** **** Nov. 29, 2016**

- (54) **FRONT WHEEL DRIVE BOLT ON ELECTRONIC LIMITED SLIP DIFFERENTIAL**
- (71) Applicant: **Eaton Corporation**, Cleveland, OH (US)
- (72) Inventor: **Matthew G. Fox**, Ceresco, MI (US)
- (73) Assignee: **Eaton Corporation**, Cleveland, OH (US)
- (**) Term: **15 Years**
- (21) Appl. No.: **29/535,741**
- (22) Filed: **Aug. 10, 2015**

6,692,396	B1	2/2004	Grogg et al.	
6,733,411	B1	5/2004	Kaplan et al.	
D549,731	S	8/2007	Demirdogen	
7,318,511	B2	1/2008	Grogg	
7,341,136	B2	3/2008	Park	
8,231,494	B2	7/2012	Showalter	
D713,935	S	9/2014	Fox	
D738,934	S *	9/2015	Fox	D15/5
2006/0154776	A1	7/2006	Claussen	
2006/0270512	A1	11/2006	Pinkos	
2008/0004151	A1	1/2008	Nakajima	
2009/0215575	A1	8/2009	Schrand	
2009/0247350	A1	10/2009	Donofrio	
2010/0144478	A1	6/2010	Fan	
2011/0009223	A1	1/2011	Donofrio	
2013/0029798	A1	1/2013	Martin, III	
2014/0141921	A1	5/2014	Fox	
2015/0080166	A1 *	3/2015	Forrest	F16H 48/24 475/231

Related U.S. Application Data

- (63) Continuation of application No. 29/472,669, filed on Nov. 14, 2013, now Pat. No. Des. 736,262.
- (51) **LOC (10) Cl.** **15-01**
- (52) **U.S. Cl.**
USPC **D15/5**
- (58) **Field of Classification Search**
USPC D15/1-6; 475/231, 89, 88, 86, 84, 252, 475/235, 249, 234
CPC F16H 48/22; F16H 48/08; F16H 48/30; F16H 2048/204; F16H 48/34; F16H 2048/346; F16H 48/295; F16H 48/32; F16H 48/40; F16H 48/10; F16H 2200/2071; F16H 48/26; F16H 2048/085; F16H 2048/201; F16H 48/11; F16H 2048/385; F16H 2048/382; F16H 57/0483; F16H 2048/106; F16H 48/24
See application file for complete search history.

* cited by examiner

Primary Examiner — T. Chase Nelson
Assistant Examiner — Ania Aman
 (74) *Attorney, Agent, or Firm* — Remarck Law Group PLC

(57) **CLAIM**

The ornamental design for a front wheel drive bolt on electronic limited slip differential, as shown and described.

DESCRIPTION

FIG. 1 is a perspective view of a front wheel drive bolt on electronic limited slip differential showing my new design. FIG. 2 is a top view thereof. FIG. 3 is a first end view thereof. FIG. 4 is a first side view thereof. FIG. 5 is a bottom plan view thereof. FIG. 6 is a second end view thereof; and, FIG. 7 is a rear elevation view thereof. The broken line showing portions of the front wheel drive bolt on electronic limited slip differential form no part of the claimed design.

- (56) **References Cited**
U.S. PATENT DOCUMENTS
D285,570 S 9/1986 McInerney
5,839,327 A 11/1998 Gage

1 Claim, 7 Drawing Sheets

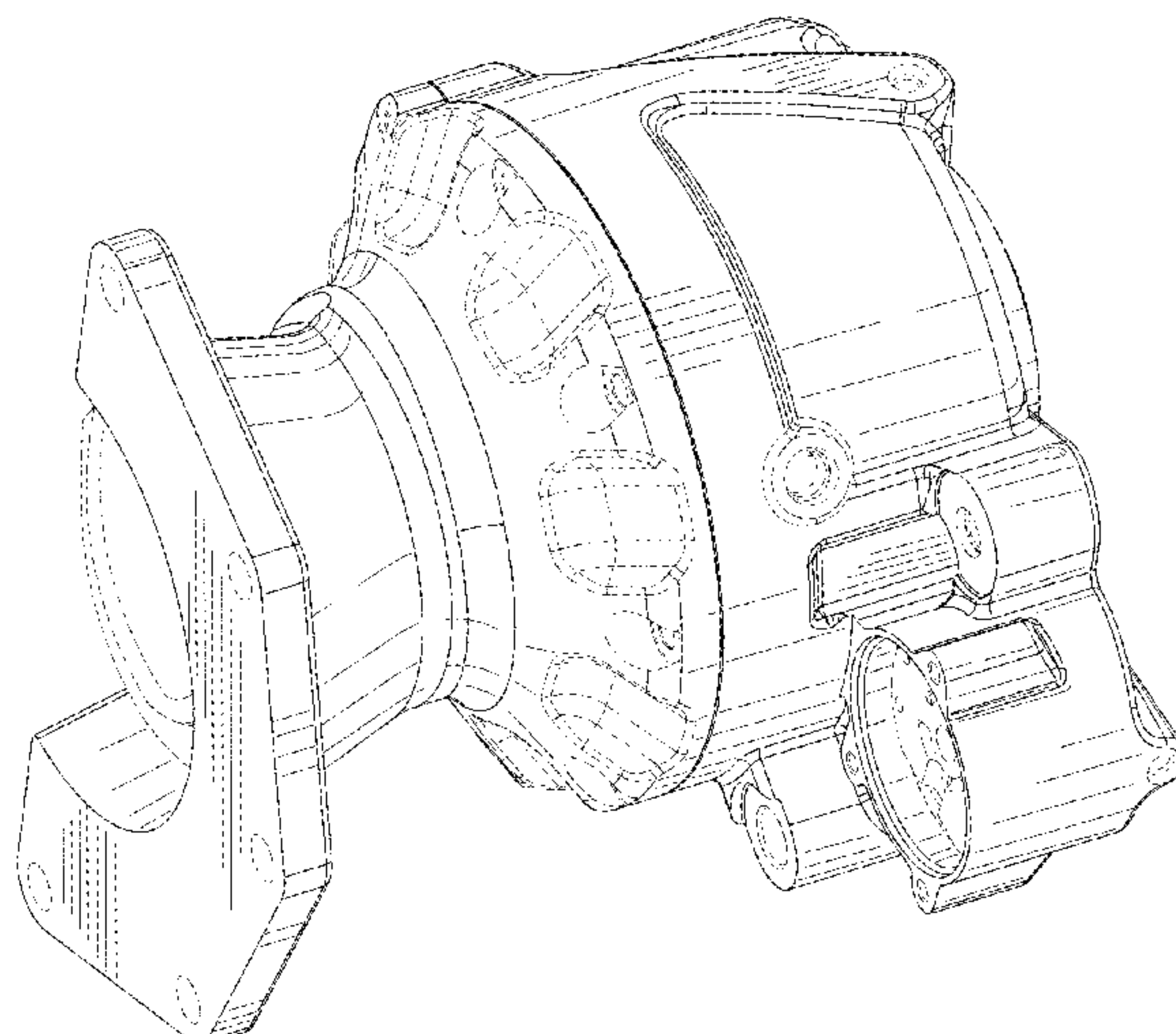
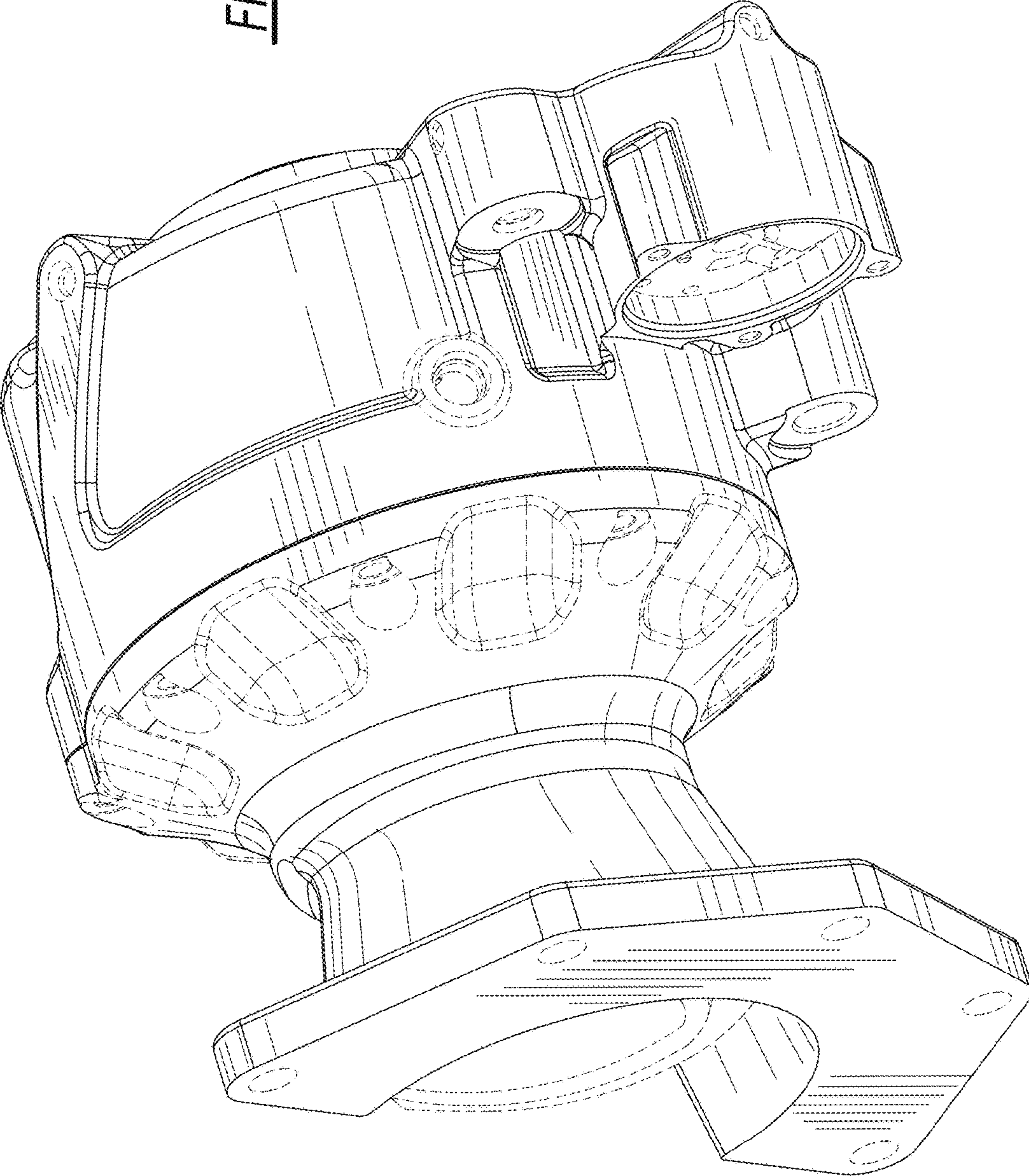


FIG-1



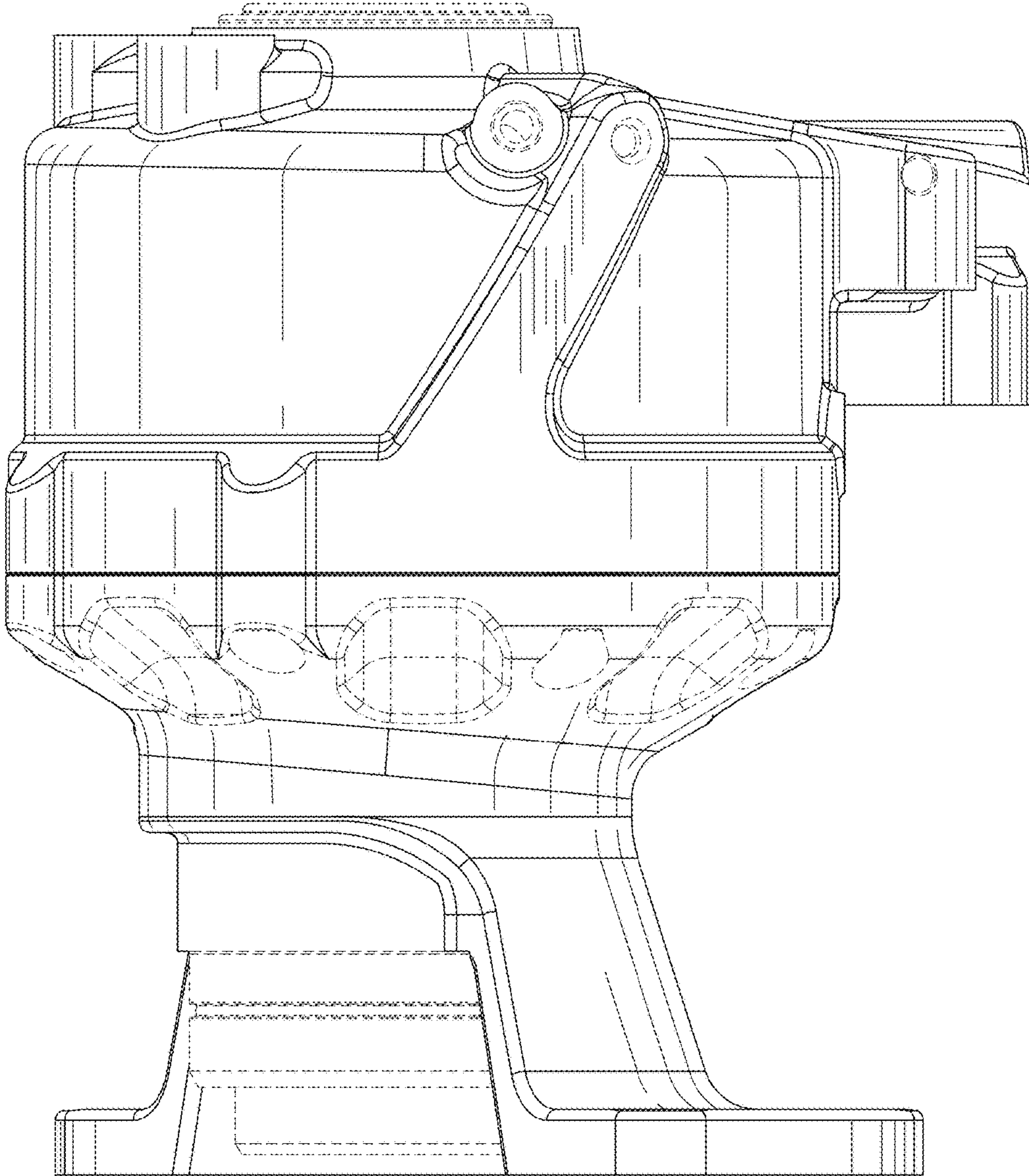


FIG - 2

FIG - 3

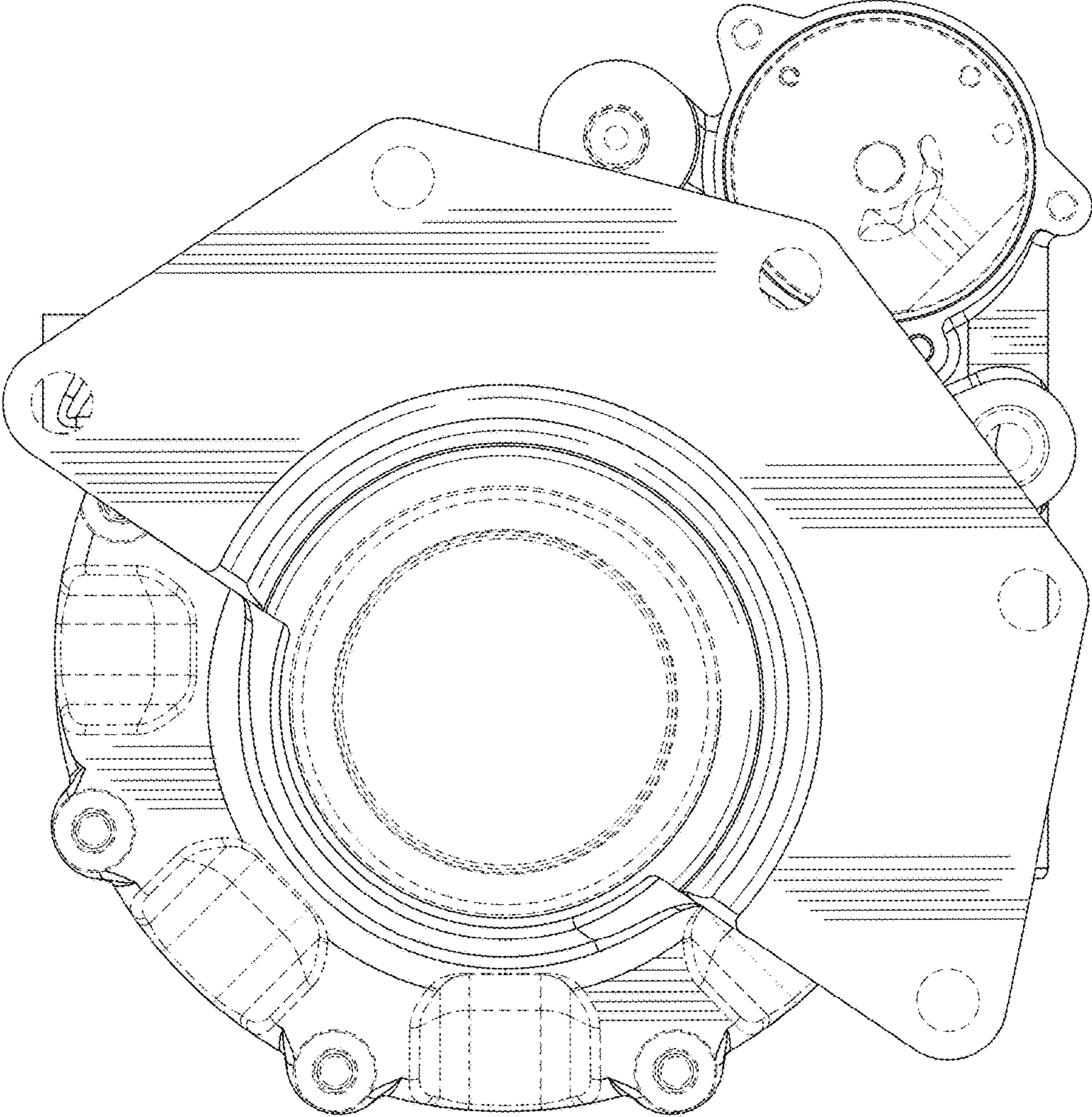


FIG - 4

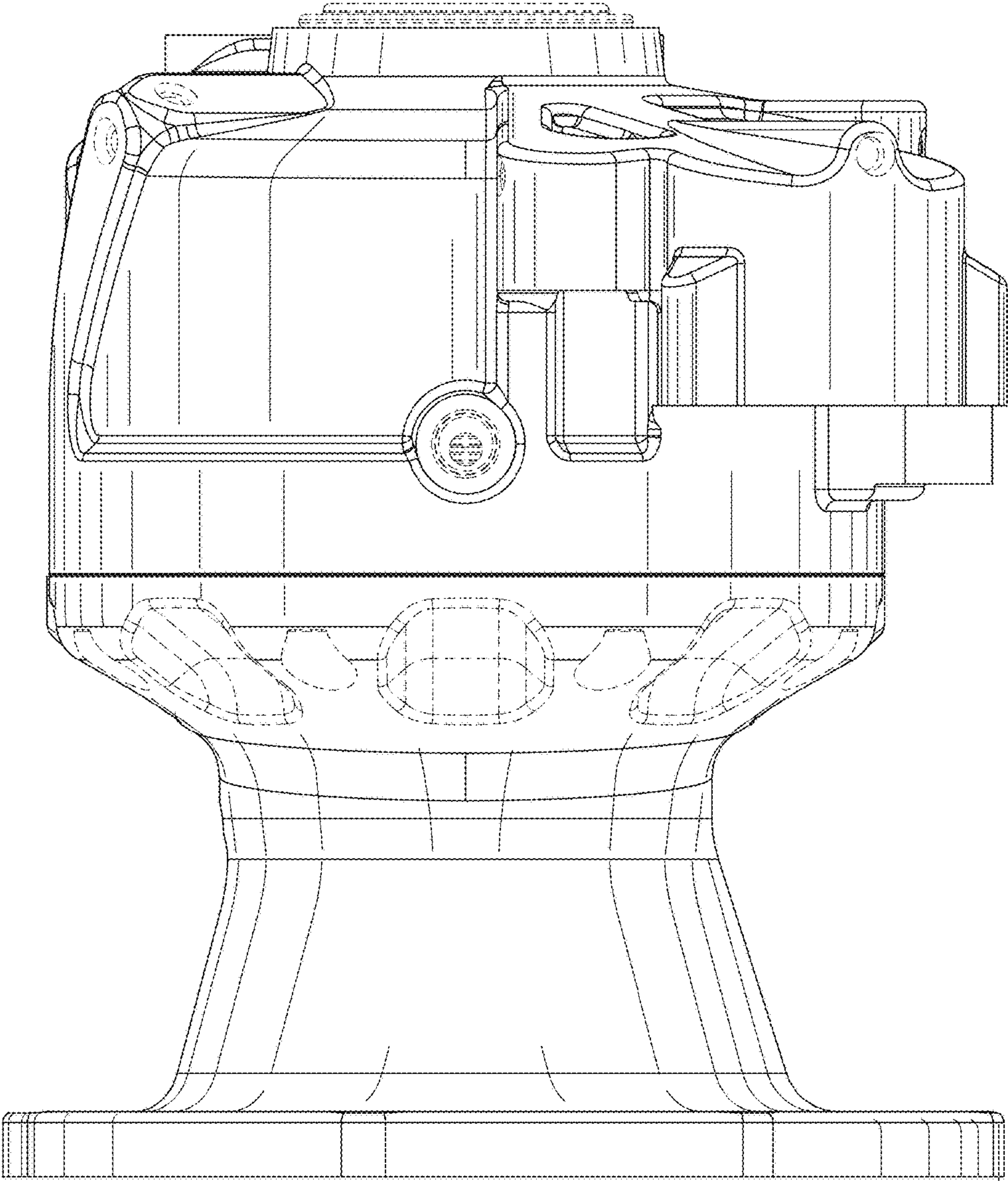


FIG - 5

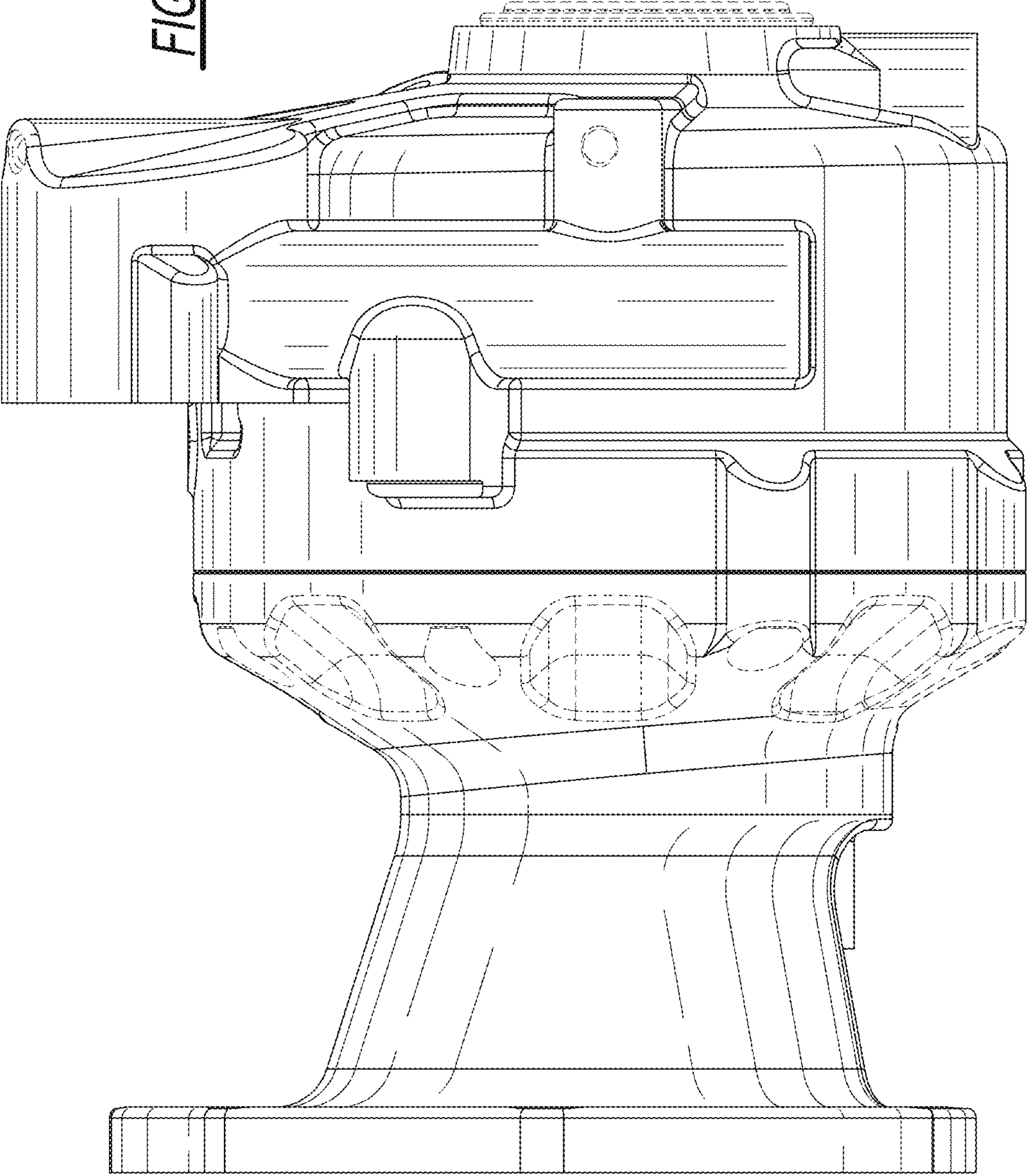


FIG - 6

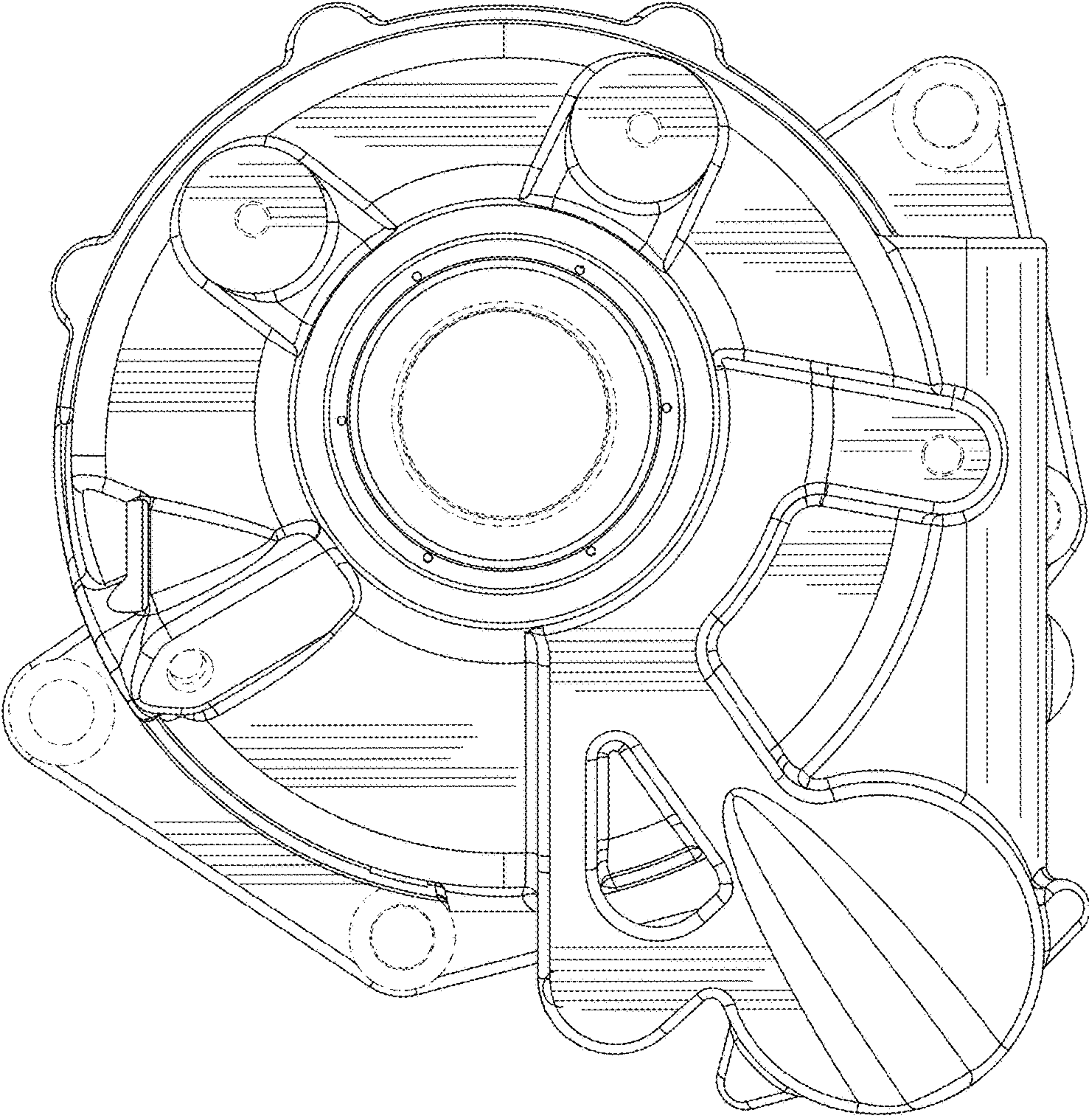


FIG. 7

