



US00D772944S

(12) **United States Design Patent** (10) **Patent No.:** **US D772,944 S**
Inoue et al. (45) **Date of Patent:** **** Nov. 29, 2016**

(54) **GENERAL PURPOSE ENGINE**
(71) Applicants: **Kubota Corporation**, Osaka-shi (JP);
IMPCO Technologies B.V., Delfgauw (NL)
(72) Inventors: **Hiroshi Inoue**, Sakai (JP); **Rudolf van Dodewaard**, Delfgauw (NL); **Maarten G. W. Witmaar**, Delfgauw (NL)
(73) Assignees: **Kubota Corporation**, Osaka (JP);
Impco Technologies B.V., Delfgauw (NL)
(**) Term: **14 Years**
(21) Appl. No.: **29/518,699**
(22) Filed: **Feb. 26, 2015**
(30) **Foreign Application Priority Data**

Sep. 29, 2014 (JP) 2014-021489

(51) **LOC (10) Cl.** **15-01**

(52) **U.S. Cl.**
USPC **D15/5; D15/6**

(58) **Field of Classification Search**
USPC D15/1-6; D12/400; 123/635, 195 C, 123/903.38; 702/35; 48/144
CPC F02M 23/00; F02M 23/003; F02M 25/00; F02M 25/089; F02M 21/0287; F02M 21/04; F02M 21/0212; F02M 21/0278; F02M 69/042; F02M 35/161; F02M 61/14; F02M 21/0281; F02B 43/10; F02B 2043/103; F02B 69/02; F02D 19/0647; F02D 19/0692; F02D 19/0697
See application file for complete search history.

(56) **References Cited**

U.S. PATENT DOCUMENTS

D482,045 S * 11/2003 Iwata D15/1
D494,191 S * 8/2004 Aketa D15/1
D584,382 S * 1/2009 Zanella D23/233
D685,819 S * 7/2013 Hataura D15/1
D685,820 S * 7/2013 Okuda et al.
D704,740 S * 5/2014 Bellinger D15/1

D708,644 S * 7/2014 Nishimura D15/1
D710,899 S * 8/2014 Kuehner D15/1
D721,097 S * 1/2015 Kosaka D15/1
D733,763 S * 7/2015 Nuta D15/1
D735,757 S * 8/2015 Nuta D15/1
2001/0039908 A1* 11/2001 Bilek F01B 1/12 114/55.5
2007/0068492 A1* 3/2007 Hataura F02M 25/0736 123/456
2009/0107450 A1* 4/2009 Olsen F02B 77/00 123/195 C
2010/0251993 A1* 10/2010 Sugiyama F02B 69/02 123/299
2014/0373821 A1* 12/2014 Kitagawa F01M 11/08 123/572
2015/0068500 A1* 3/2015 Inoue F02M 35/10177 123/525

* cited by examiner

Primary Examiner — T. Chase Nelson

Assistant Examiner — Ania Aman

(74) *Attorney, Agent, or Firm* — The Webb Law Firm

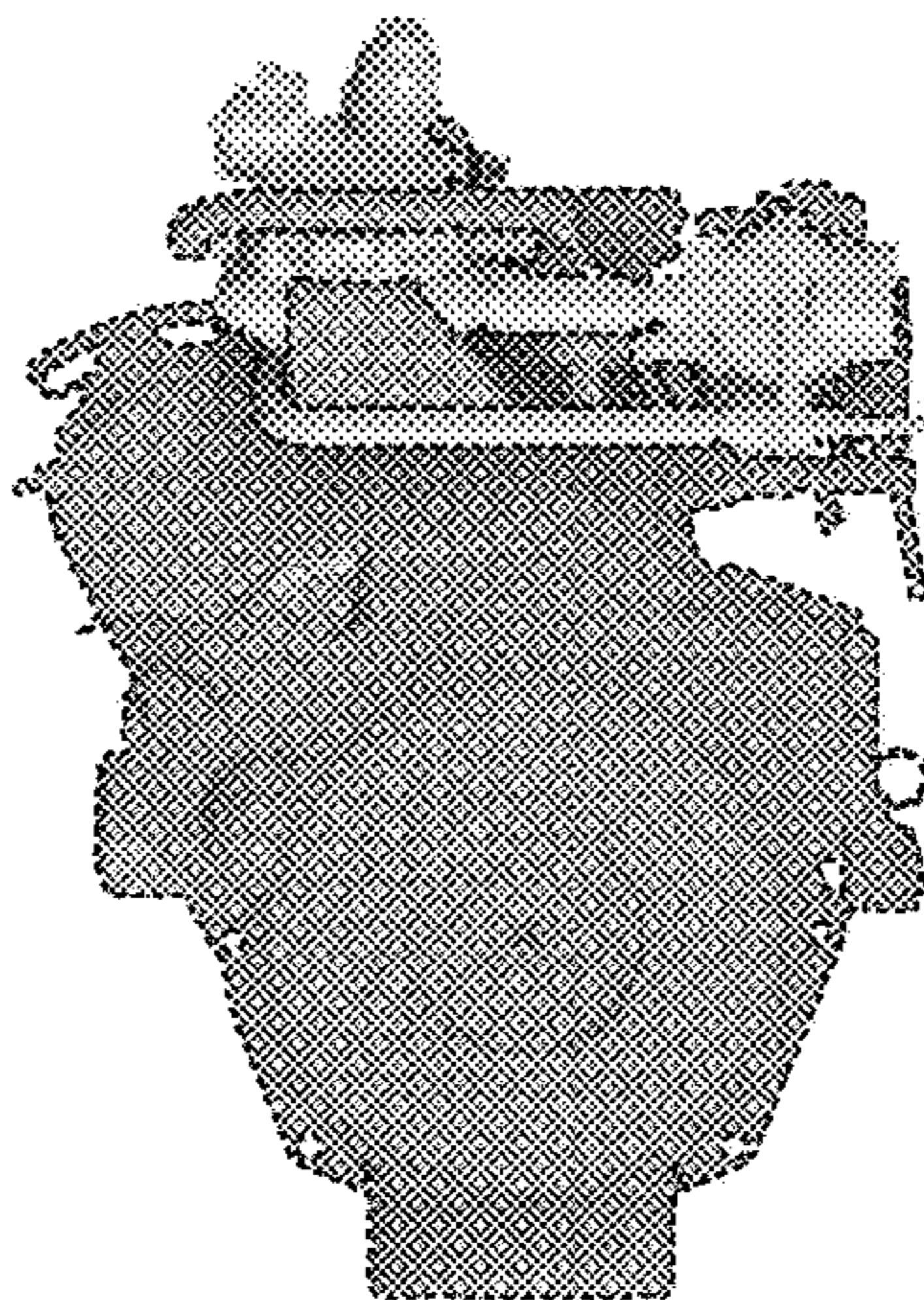
(57) **CLAIM**

The ornamental design for a general purpose engine, as shown and described.

DESCRIPTION

FIG. 1 is a front view of a general purpose engine showing our design;
FIG. 2 is a rear view thereof;
FIG. 3 is a left side view thereof;
FIG. 4 is a right side view thereof;
FIG. 5 is a top view thereof;
FIG. 6 is a bottom view thereof;
FIG. 7 is an upper left front perspective view thereof;
FIG. 8 is an upper right rear perspective view thereof;
FIG. 9 is an enlarged upper left front perspective view of a portion thereof; and,
FIG. 10 is an enlarged upper right rear perspective view of a portion thereof.
The portions of FIGS. 1-10 shown in coarse dot pattern and outlined in dashed lines form no part of the claimed design.

1 Claim, 10 Drawing Sheets



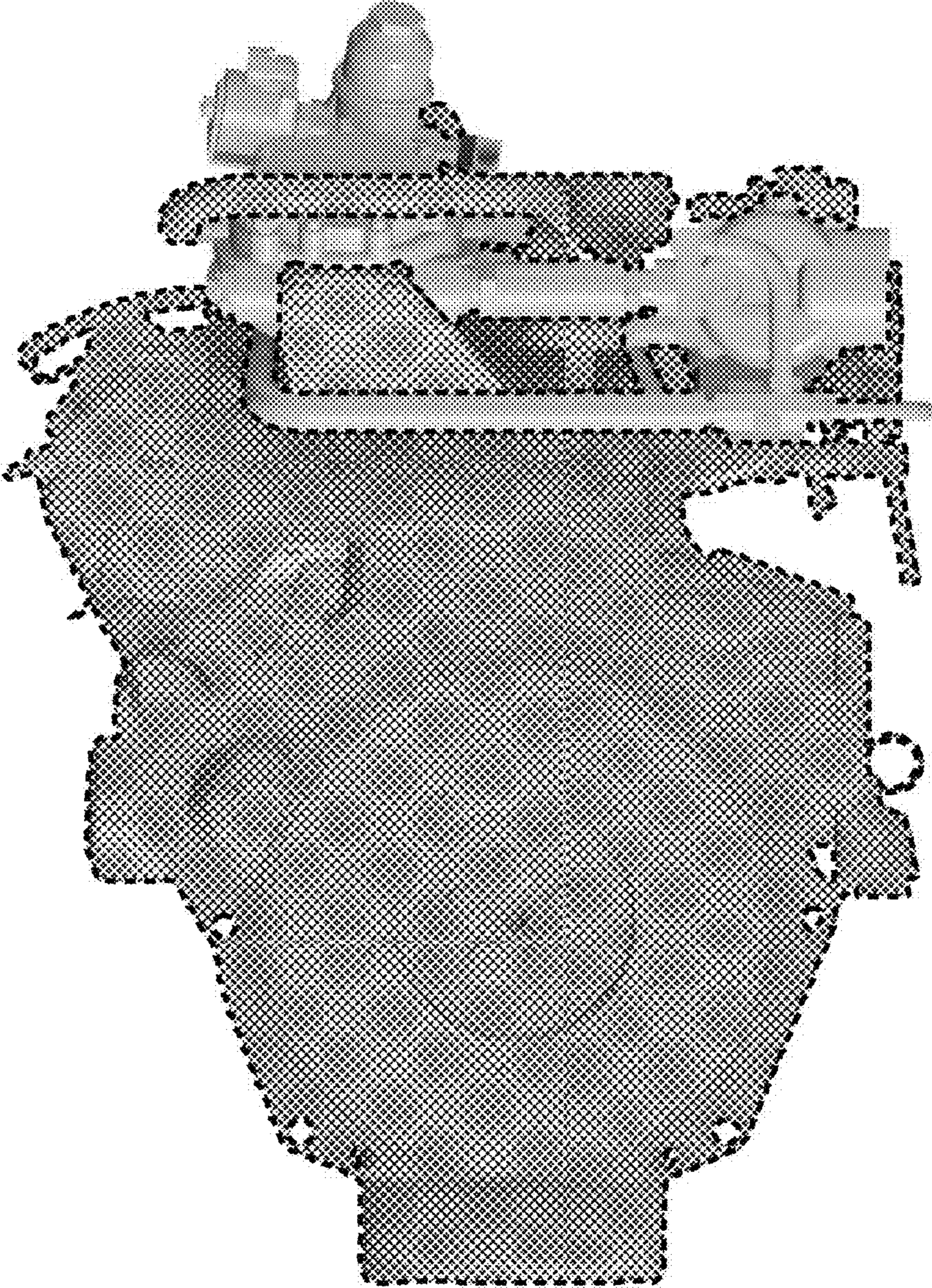


FIG. 1

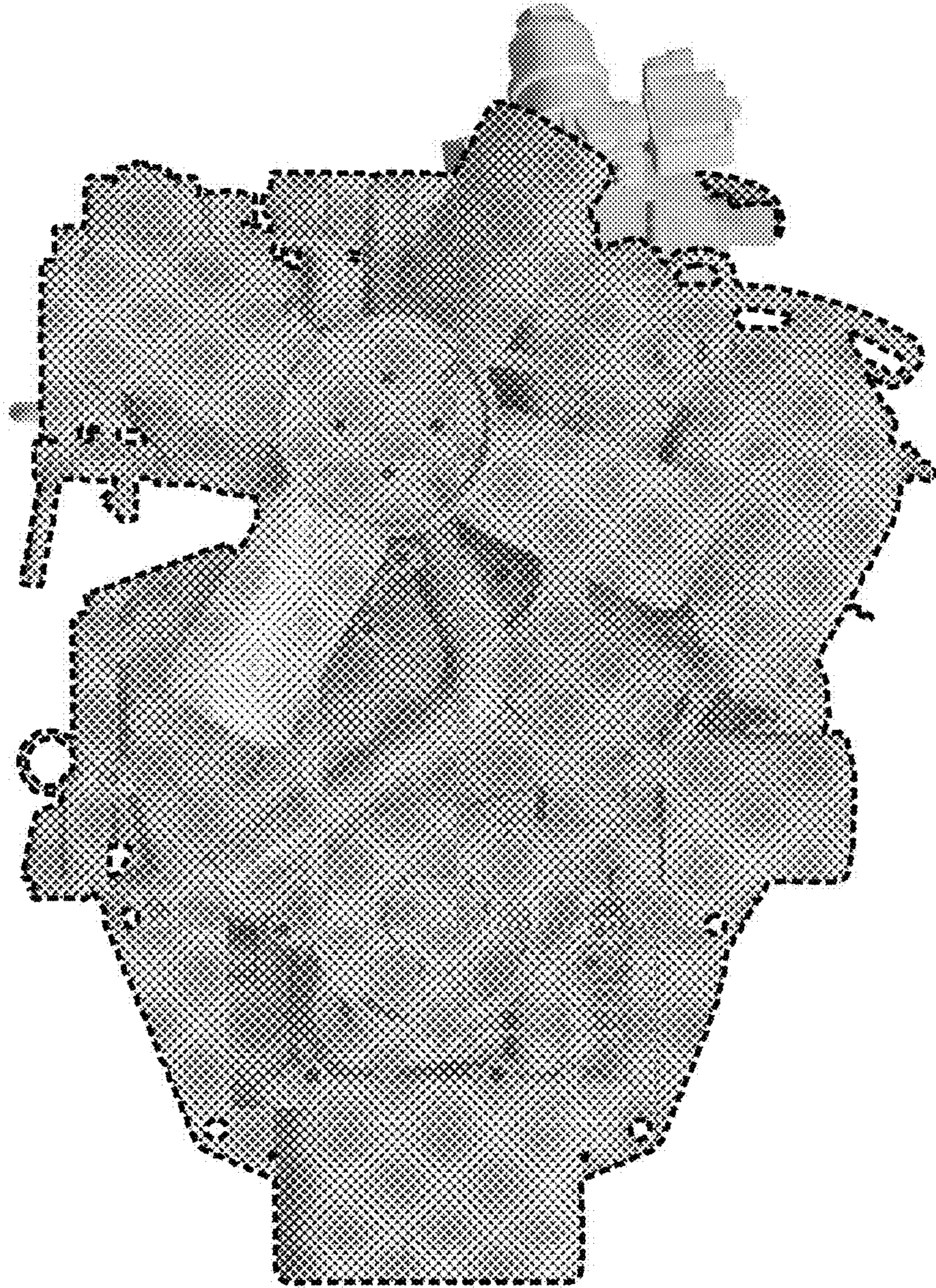


FIG. 2

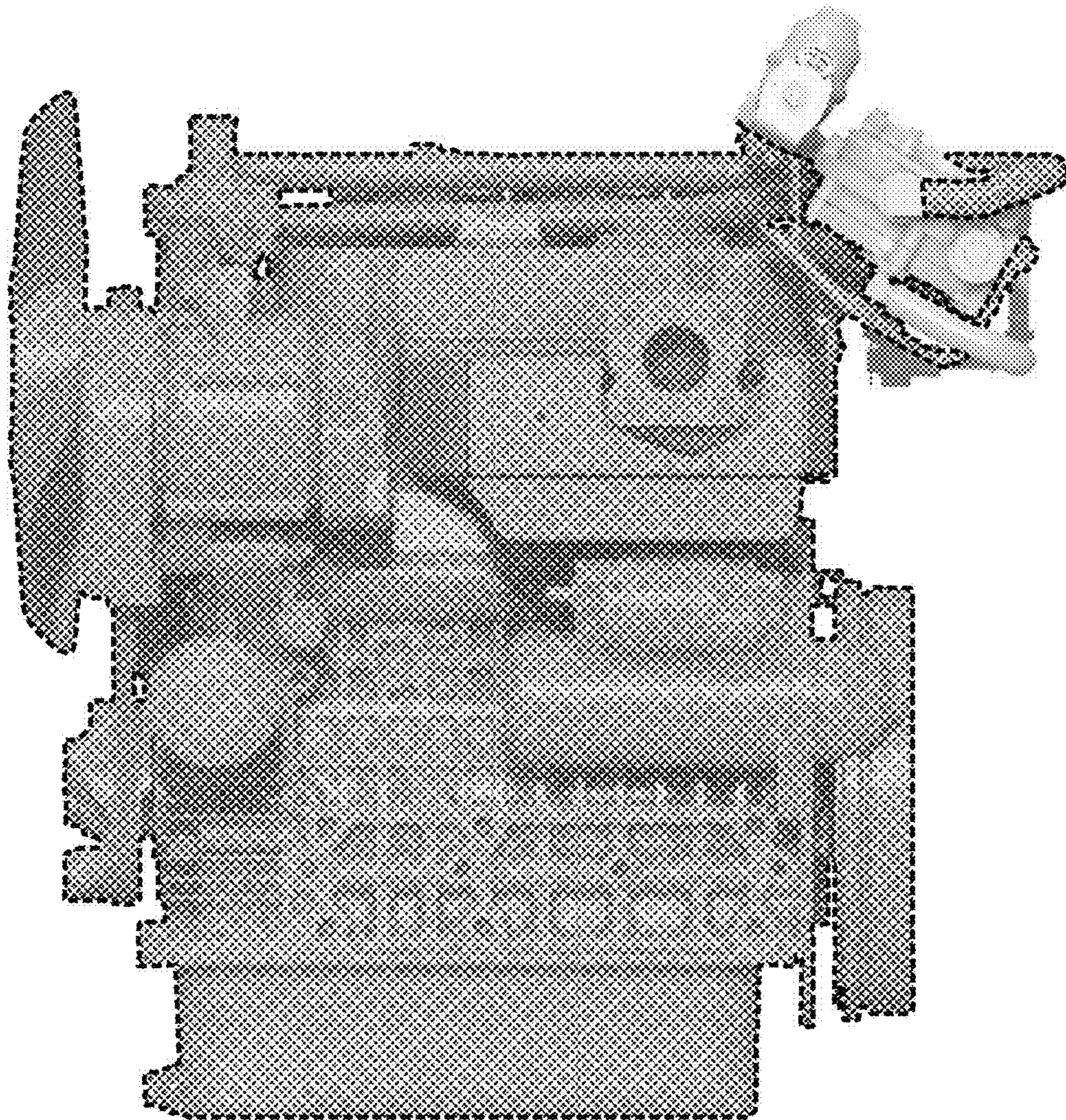


FIG. 3

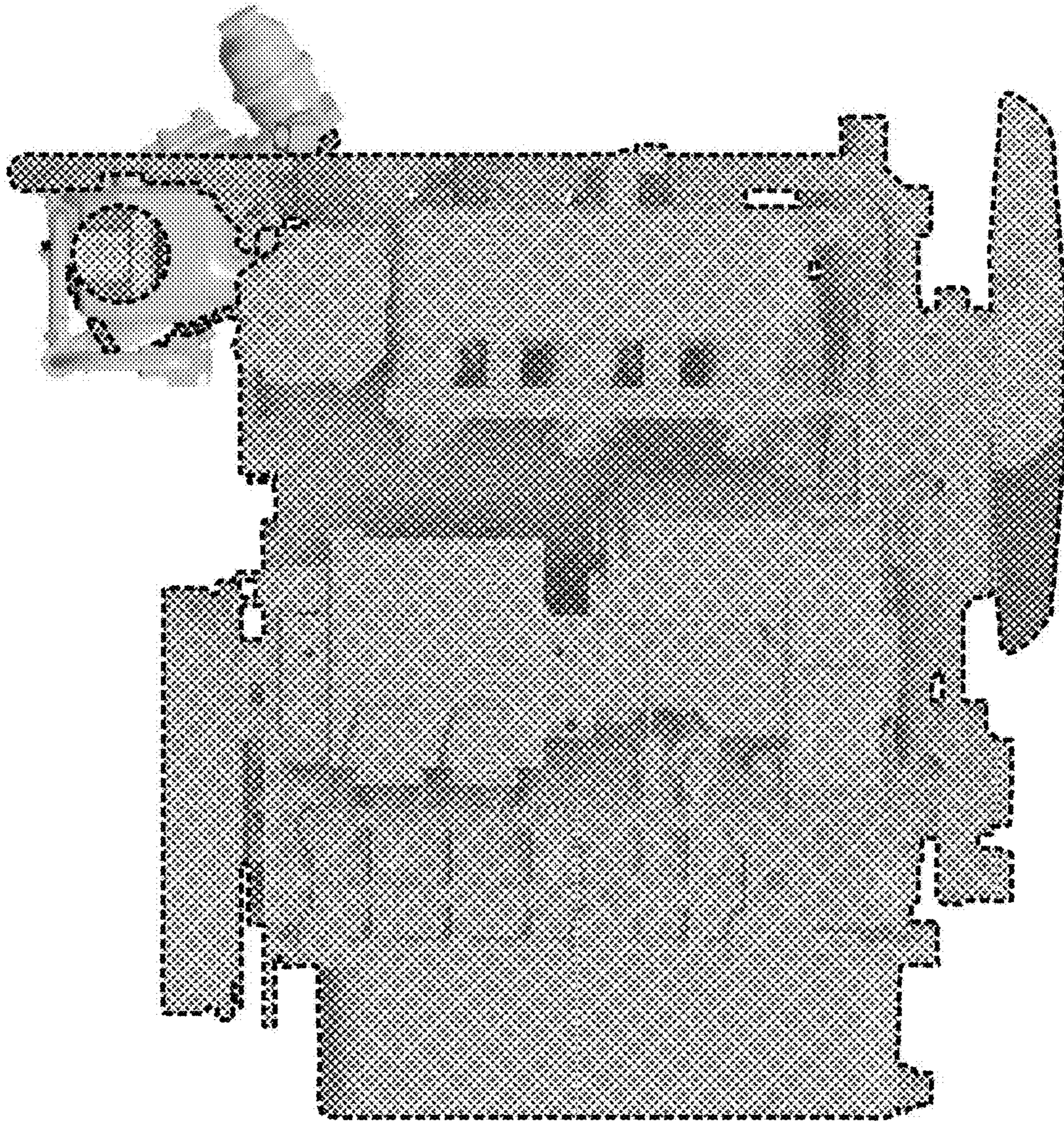


FIG. 4

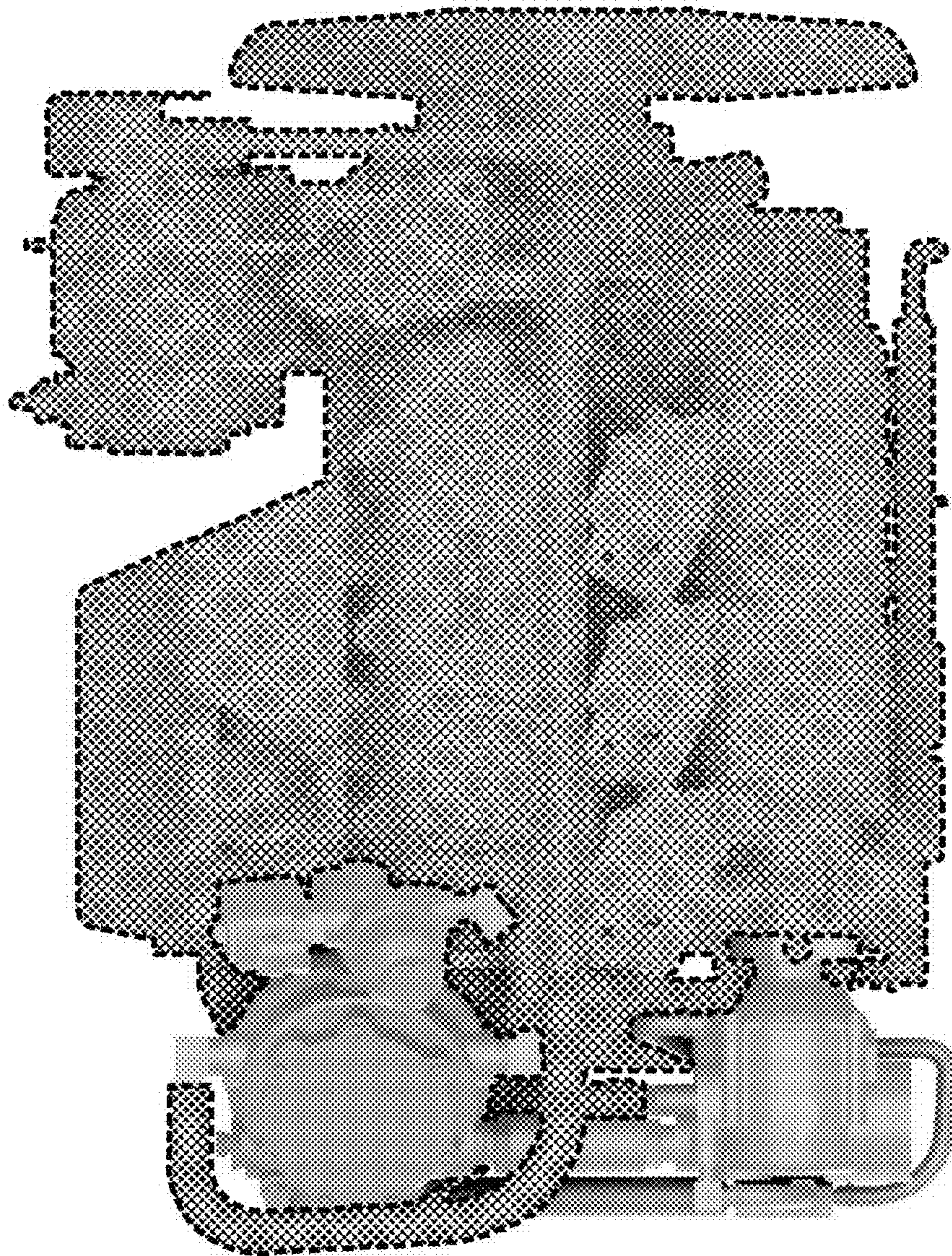


FIG. 5

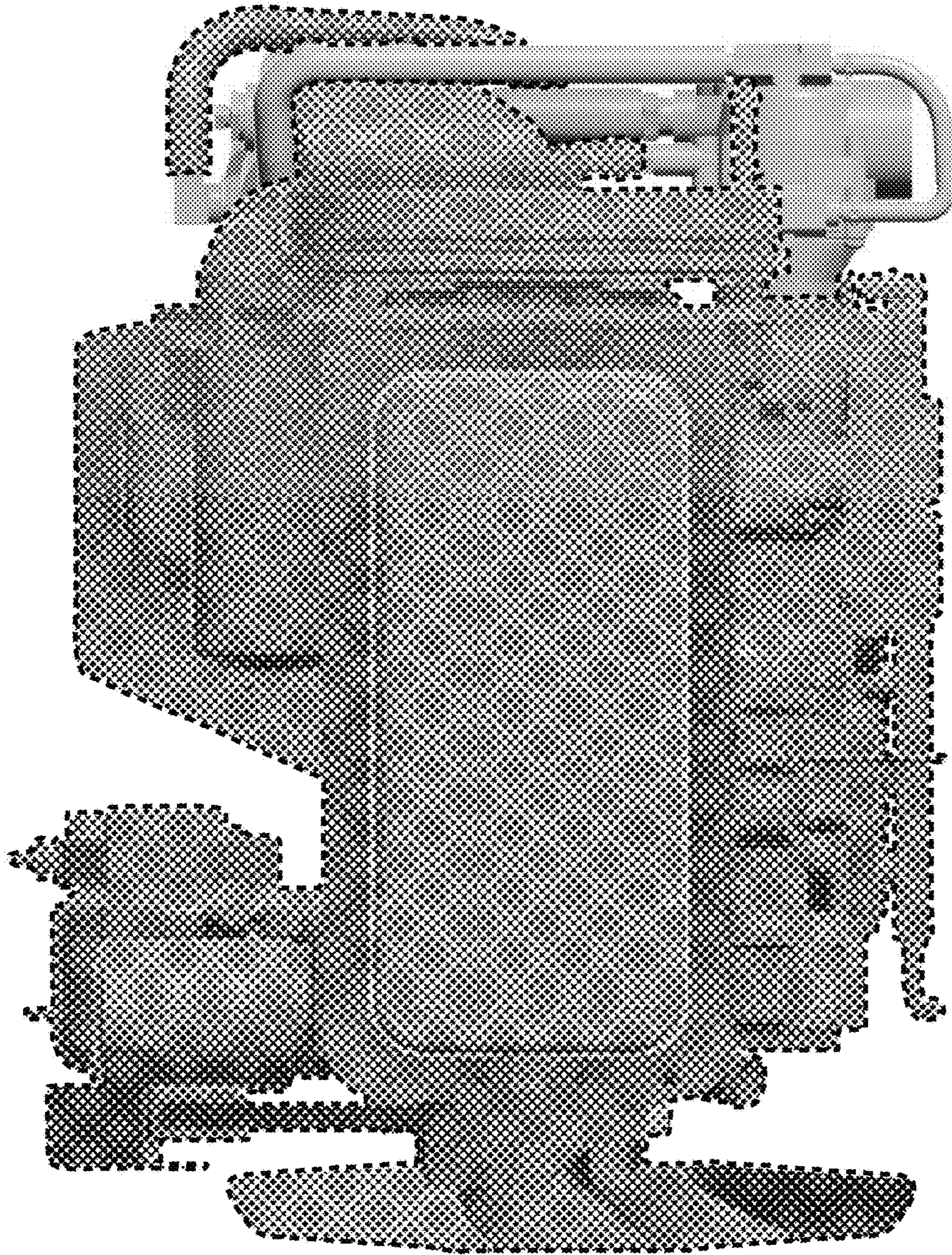


FIG. 6

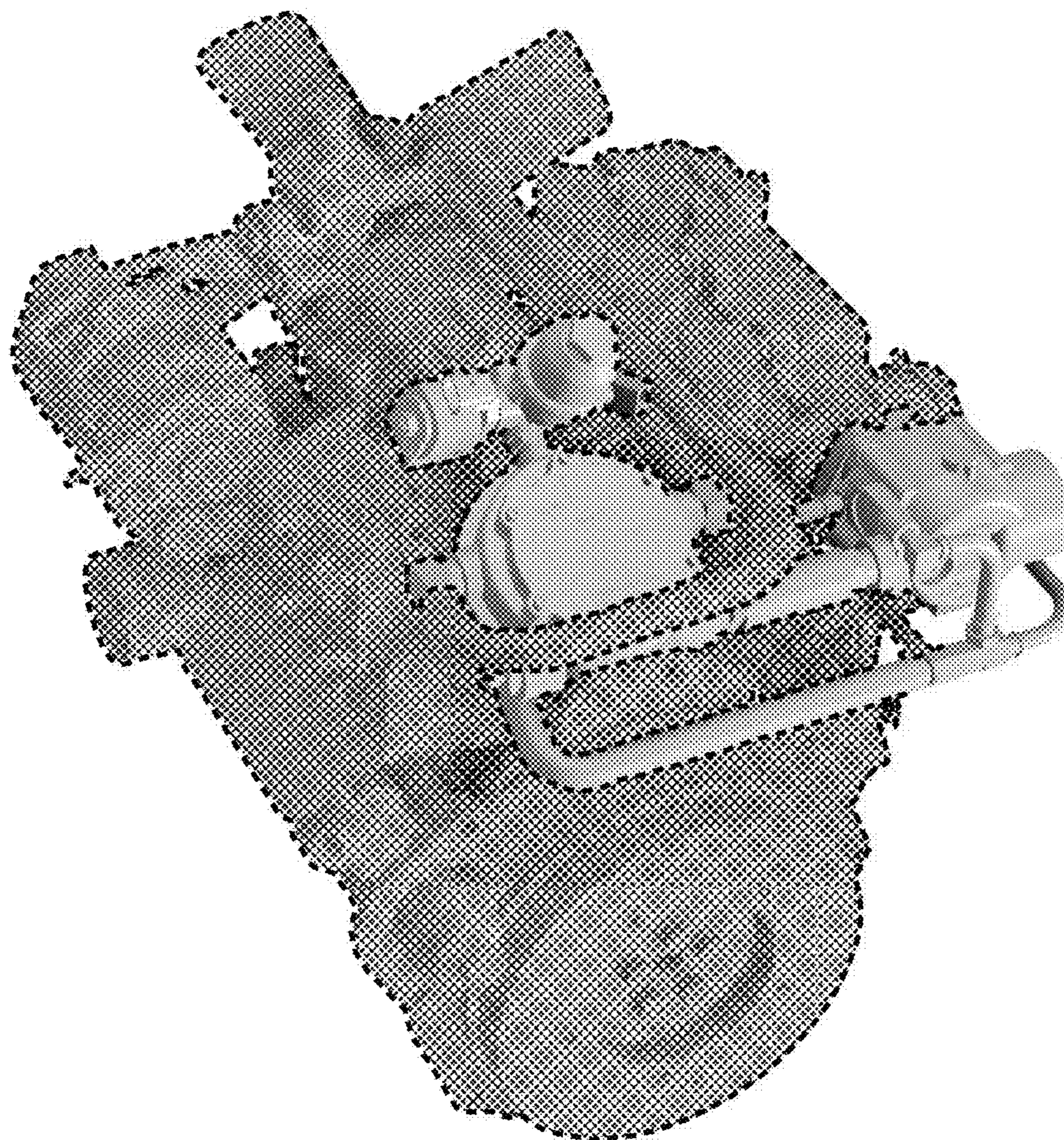


FIG. 7

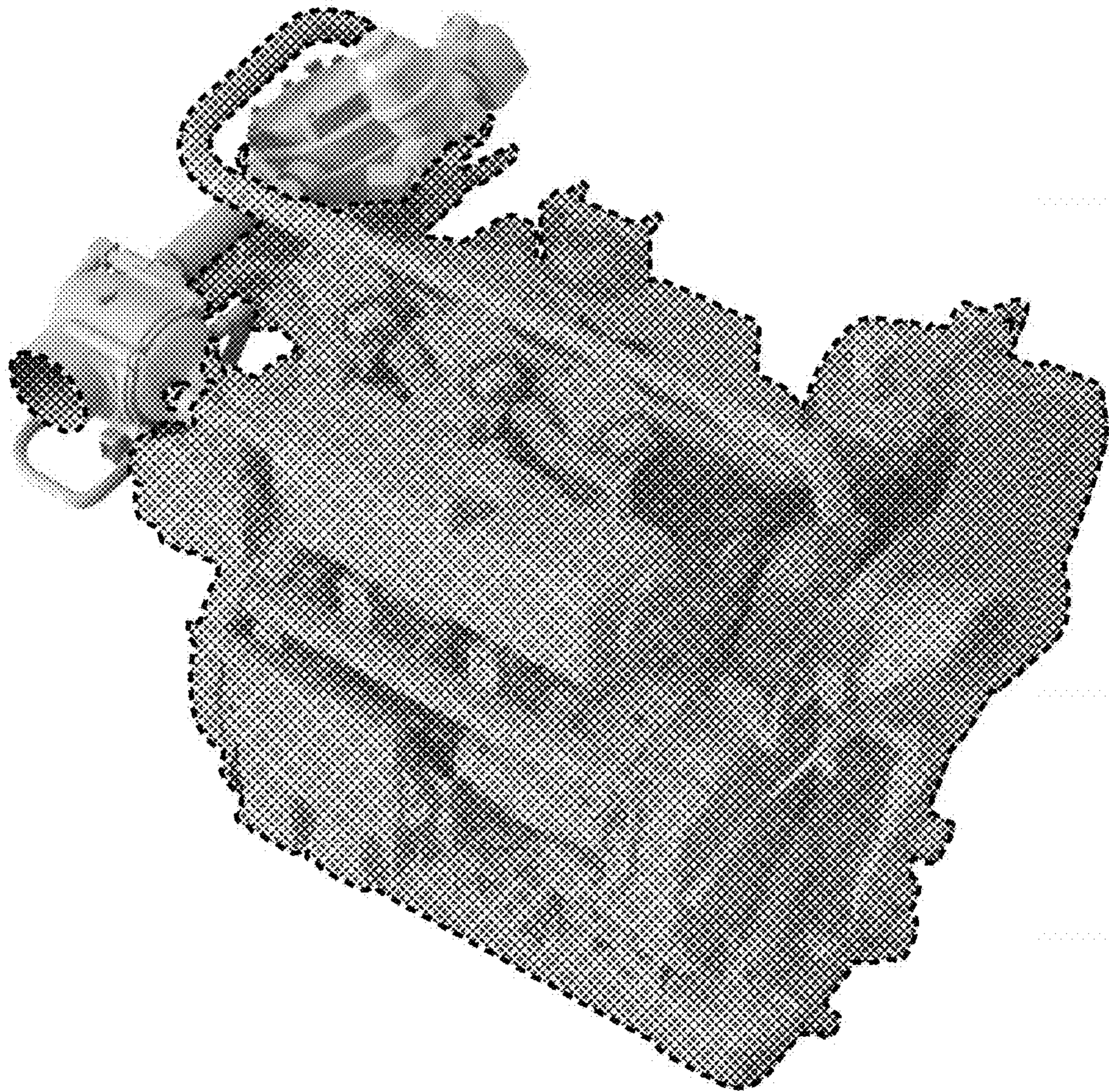


FIG. 8

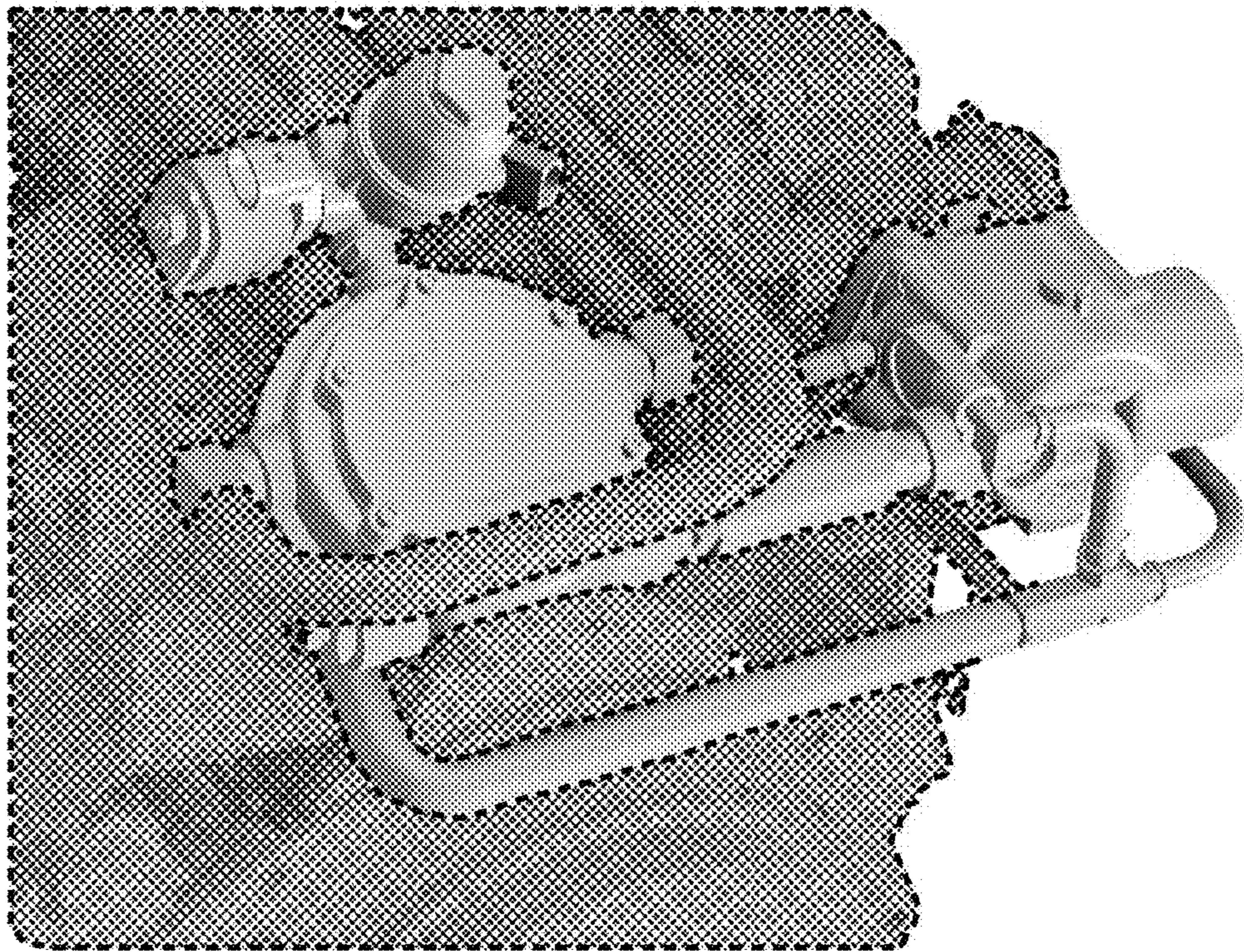


FIG. 9

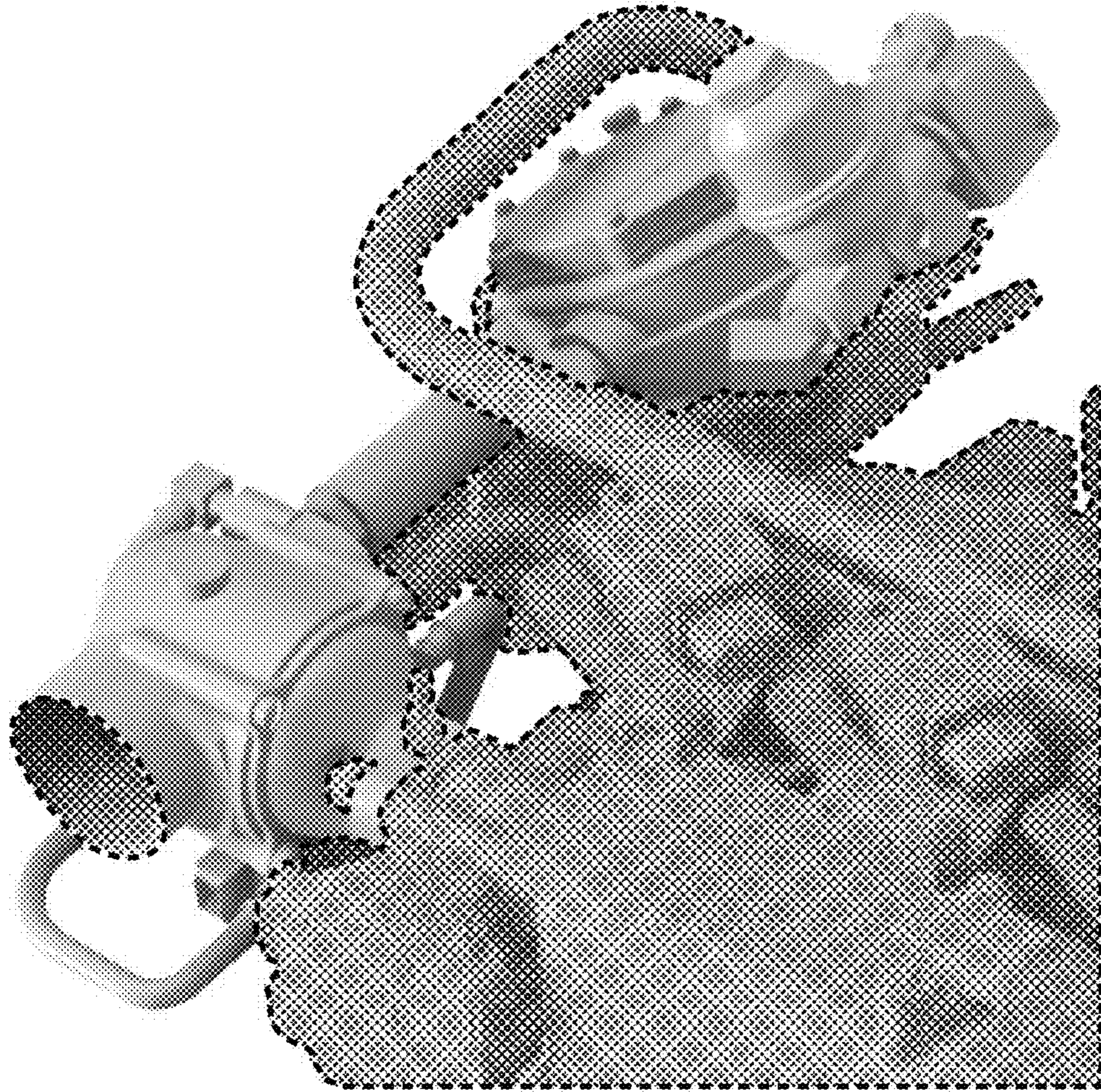


FIG. 10