



US00D772943S

(12) **United States Design Patent**
Okamoto et al.

(10) **Patent No.:** **US D772,943 S**

(45) **Date of Patent:** **** Nov. 29, 2016**

(54) **AUTOMOTIVE ENGINE COMPUTER UNIT COVER**

(71) Applicant: **DENSO CORPORATION**, Kariya, Aichi-pref. (JP)

(72) Inventors: **Akira Okamoto**, Nagoya (JP);
Masanori Tsunoo, Kasugai (JP)

(73) Assignee: **DENSO CORPORATION**, Kariya (JP)

(**) Term: **14 Years**

(21) Appl. No.: **29/510,996**

(22) Filed: **Dec. 5, 2014**

(30) **Foreign Application Priority Data**

Jun. 27, 2014 (JP) 2014-14169

(51) **LOC (10) Cl.** **15-01**

(52) **U.S. Cl.**
USPC **D15/5**

(58) **Field of Classification Search**
USPC D15/1-6; D24/224, 225, 226, 227, 228,
D24/229; D9/737, 424, 416, 425, 347, 761;
D7/553.1, 555; 361/752, 714, 730;
D13/184
CPC F02D 29/00; F02D 41/20; F02D 2400/18;
F02D 2400/21; F02D 2041/285; H01L
25/162; H05K 5/0091; H05K 5/0204; B60R
16/0239

See application file for complete search history.

(56) **References Cited**

U.S. PATENT DOCUMENTS

D196,884 S * 11/1963 Furlong D19/83
D352,868 S * 11/1994 Breen D7/637
D353,078 S * 12/1994 Davis D7/637
5,747,733 A * 5/1998 Woods H02G 3/14
174/481
D402,137 S * 12/1998 Blazeovich D6/682.4

5,877,576 A * 3/1999 CoChimin B22C 9/046
310/418
D411,202 S * 6/1999 Flanagan, III D14/459
6,065,457 A * 5/2000 Hoffmann F01M 13/0416
123/572
6,302,190 B1 * 10/2001 Clamp B60R 16/0239
165/169
D451,087 S * 11/2001 Moro D14/221
D481,888 S * 11/2003 Coran D6/681.2
D489,682 S * 5/2004 Guillarme D13/110
D493,806 S * 8/2004 Csiki D15/1
D493,995 S * 8/2004 Chen D6/553

(Continued)

OTHER PUBLICATIONS

U.S. Appl. No. 29/510,993, filed Dec. 5, 2014, Okamoto et al.

(Continued)

Primary Examiner — T. Chase Nelson

Assistant Examiner — Ania Aman

(74) *Attorney, Agent, or Firm* — Posz Law Group, PLC

(57) **CLAIM**

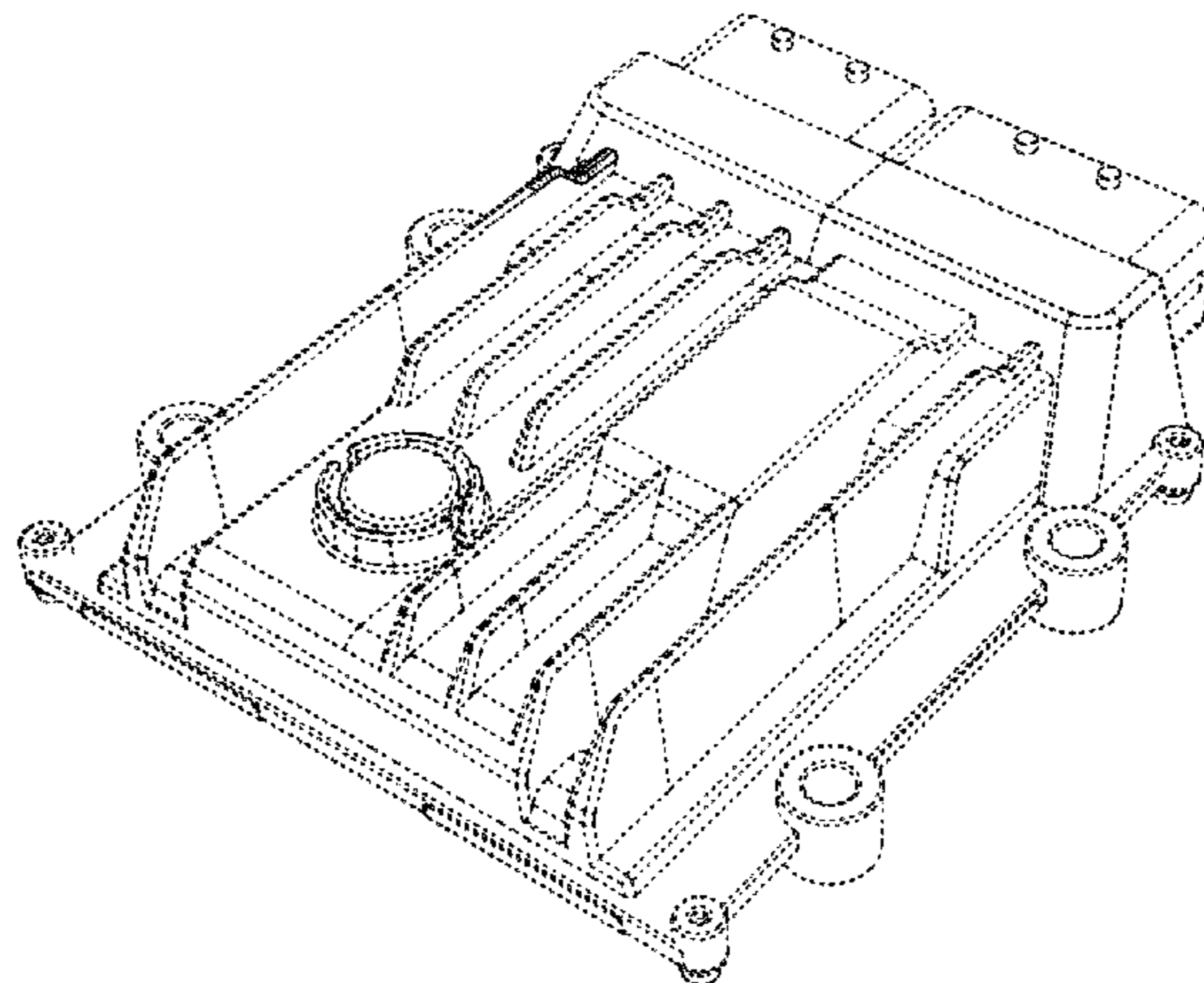
The ornamental design for an automotive engine computer unit cover, as shown and described.

DESCRIPTION

FIG. 1 is a front view of an automotive engine computer unit cover, showing our new design;
FIG. 2 is a rear view of the unit cover shown in FIG. 1;
FIG. 3 is a top plan view of the unit cover shown in FIG. 1;
FIG. 4 is a bottom plan view of the unit cover shown in FIG. 1;
FIG. 5 is a left side view of the unit cover shown in FIG. 1;
FIG. 6 is a right side view of the unit cover shown in FIG. 1; and,
FIG. 7 is a perspective view of the unit cover shown in FIG. 1.

The article of the present design relates to an automotive engine computer unit cover. The parts shown by broken lines in the drawings form no part of the claimed design.

1 Claim, 3 Drawing Sheets



(56)

References Cited

U.S. PATENT DOCUMENTS

D497,368 S * 10/2004 Csiki D15/5
7,278,646 B2 * 10/2007 Chuang B25H 1/14
108/115
D603,806 S * 11/2009 Yamashita D13/154
D605,144 S * 12/2009 Von Arx D13/123
D650,912 S * 12/2011 Tomes D24/227
8,448,786 B2 * 5/2013 Tomes A61M 25/00
206/366
D684,733 S * 6/2013 Altoon D30/161
D686,165 S * 7/2013 Bullock D13/158
8,631,935 B2 * 1/2014 Tomes A61M 25/00
206/364
D708,123 S * 7/2014 Ilzhofer D13/102
D720,470 S * 12/2014 Lober D24/227
D728,478 S * 5/2015 Vaccaro D13/133

D729,292 S * 5/2015 Hawa D15/123
D744,427 S * 12/2015 Yamashita D13/146
2002/0118520 A1 * 8/2002 Baker H05K 9/0037
361/752
2002/0166519 A1 * 11/2002 Skrzypchak F01P 3/12
123/41.31
2006/0163826 A1 * 7/2006 Huntimer B62B 17/02
280/11.18
2011/0096497 A1 * 4/2011 Huang G06F 1/203
361/692
2014/0321045 A1 * 10/2014 Sinha H05K 9/0015
361/679.33

OTHER PUBLICATIONS

U.S. Appl. No. 29/510,995, filed Dec. 5, 2014, Okamoto et al.

* cited by examiner

FIG. 1

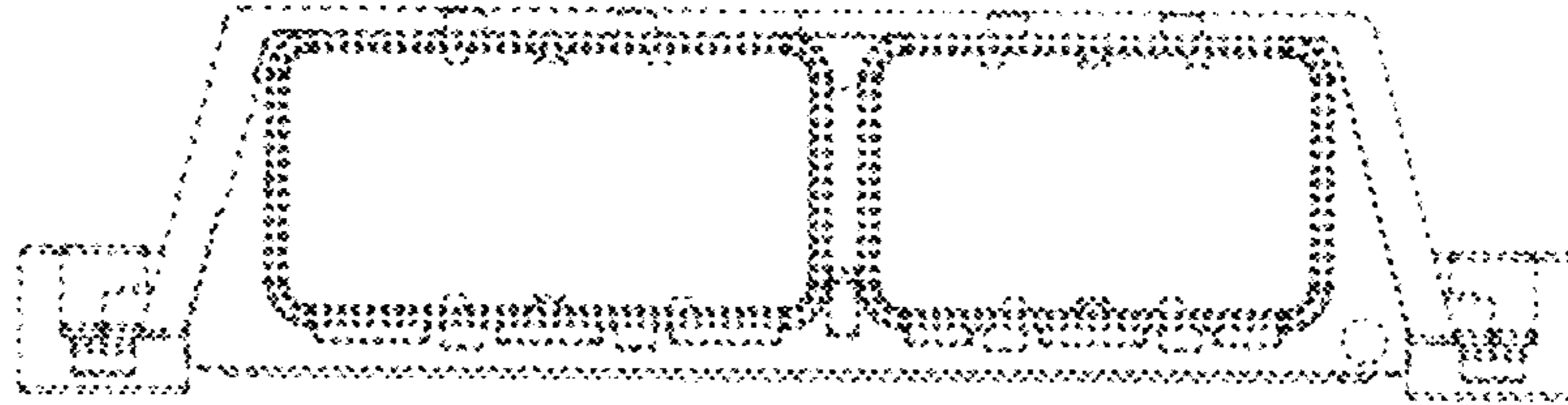


FIG. 2

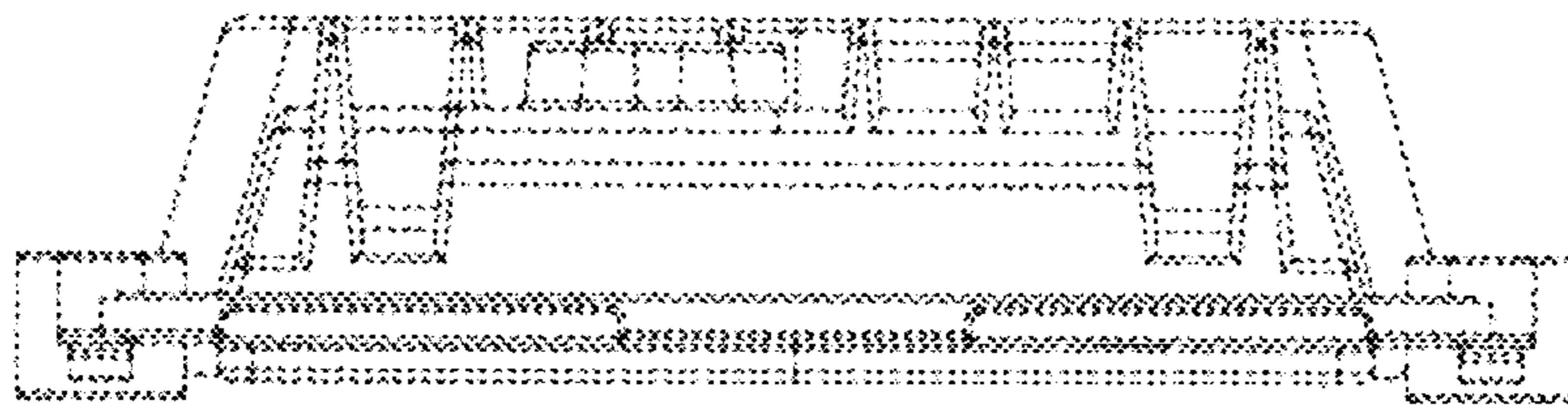


FIG. 3

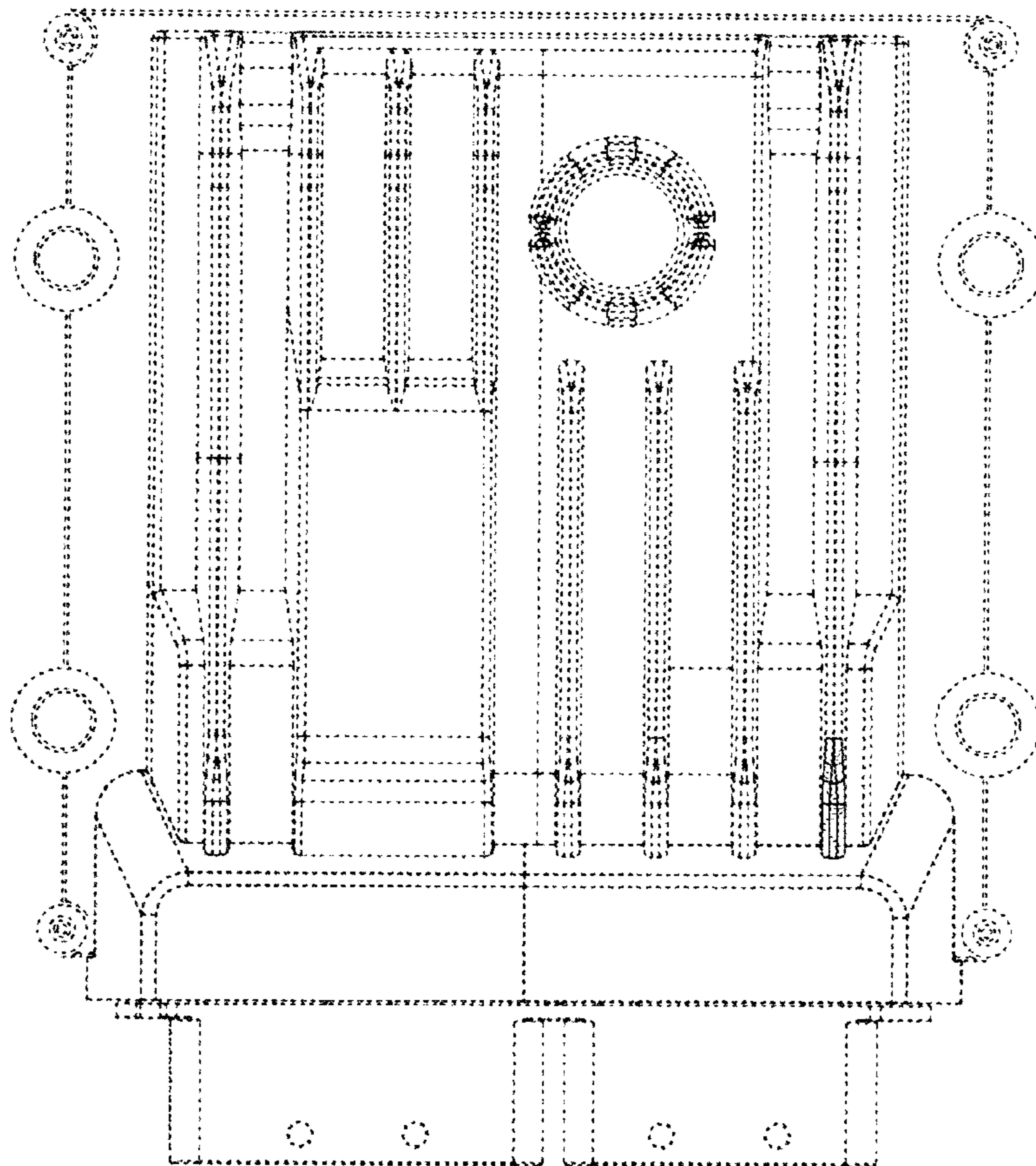


FIG. 4

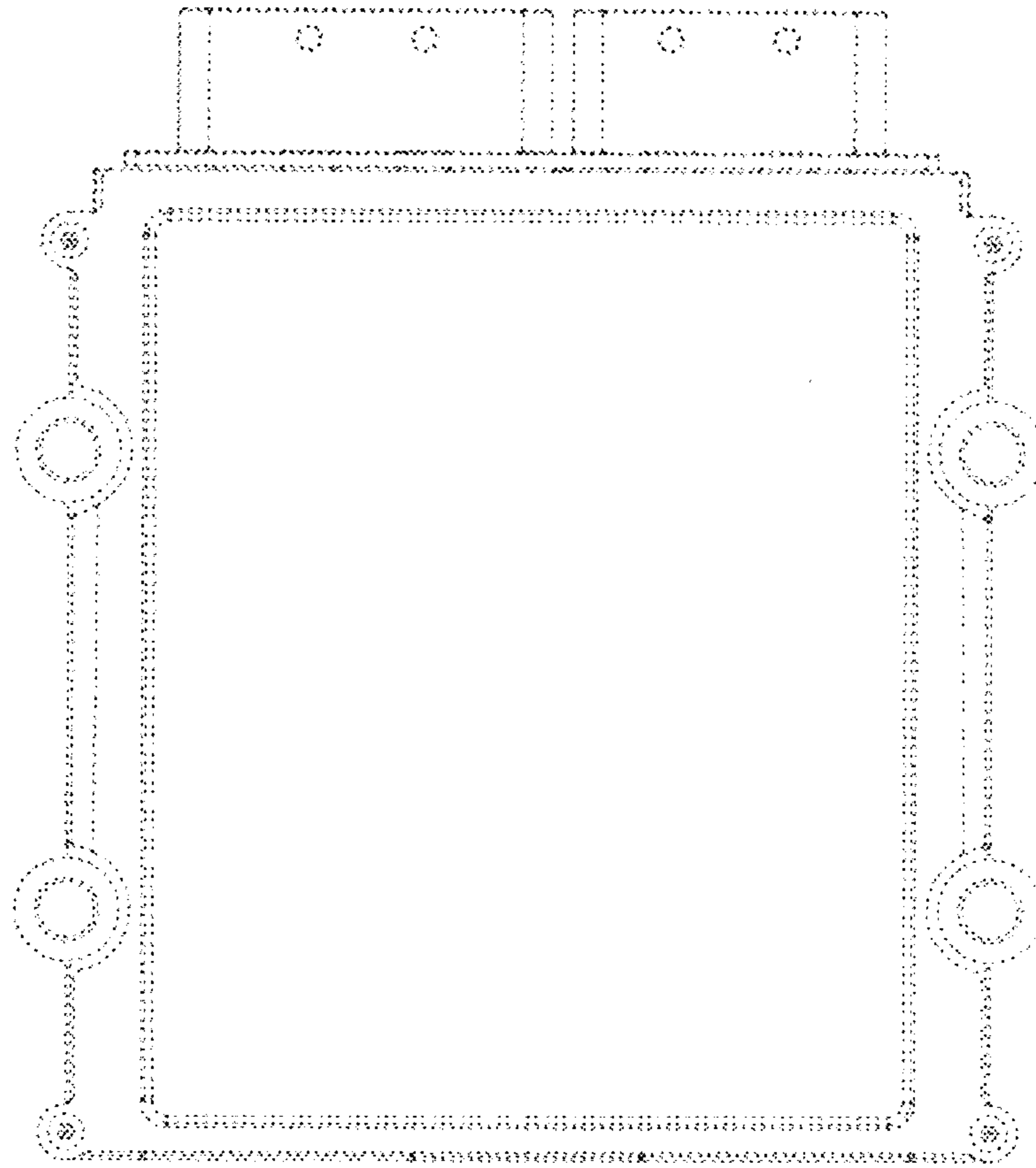


FIG. 5

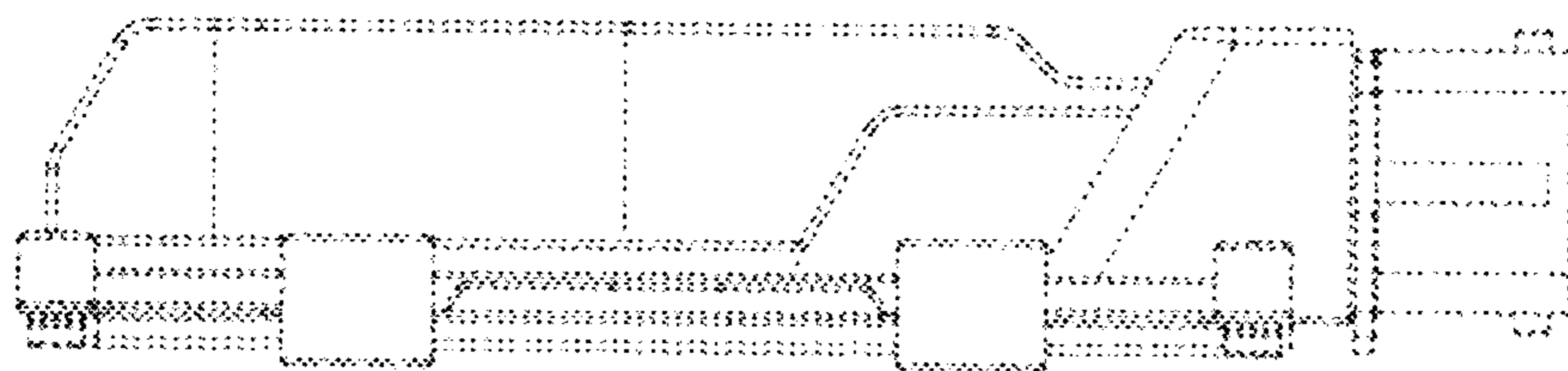


FIG. 6

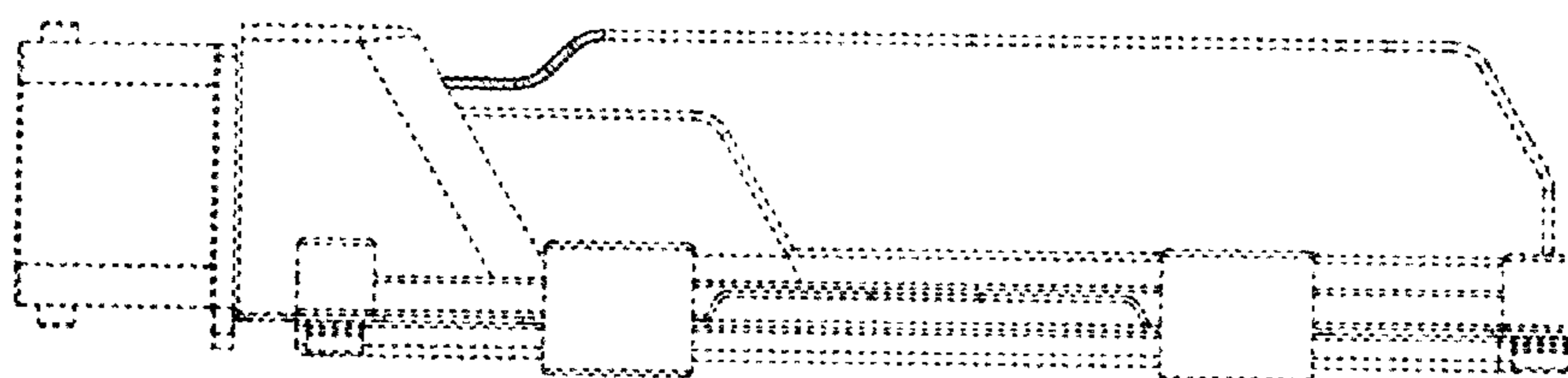


FIG. 7

