



US00D772886S

(12) **United States Design Patent** (10) **Patent No.:** **US D772,886 S**  
**Akana et al.** (45) **Date of Patent:** **\*\* Nov. 29, 2016**

(54) **ELECTRONIC DEVICE**  
(71) Applicant: **Apple Inc.**, Cupertino, CA (US)  
(72) Inventors: **Jody Akana**, San Francisco, CA (US);  
**Bartley K. Andre**, Palo Alto, CA (US);  
**Jeremy Bataillou**, San Francisco, CA (US);  
**Daniel J. Coster**, San Francisco, CA (US);  
**Daniele De Iuliis**, San Francisco, CA (US);  
**M. Evans Hankey**, San Francisco, CA (US);  
**Julian Hoenig**, San Francisco, CA (US);  
**Richard P. Howarth**, San Francisco, CA (US);  
**Jonathan P. Ive**, San Francisco, CA (US);  
**Duncan Robert Kerr**, San Francisco, CA (US);  
**Matthew Dean Rohrbach**, San Francisco, CA (US);  
**Peter Russell-Clarke**, San Francisco, CA (US);  
**Benjamin Andrew Shaffer**, San Jose, CA (US);  
**Mikael Silvanto**, San Francisco, CA (US);  
**Christopher J. Stringer**, Woodside, CA (US);  
**Eugene Antony Whang**, San Francisco, CA (US);  
**Rico Zörkendörfer**, San Francisco, CA (US)

(73) Assignee: **Apple Inc.**, Cupertino, CA (US)  
(\*\*) Term: **15 Years**  
(21) Appl. No.: **29/560,693**  
(22) Filed: **Apr. 8, 2016**

**Related U.S. Application Data**

(63) Continuation of application No. 29/533,837, filed on Jul. 22, 2015.  
(51) **LOC (10) Cl.** ..... **14-02**  
(52) **U.S. Cl.**  
USPC ..... **D14/455**  
(58) **Field of Classification Search**  
USPC ..... D14/137, 138, 144, 147, 148, 218, 247,  
D14/248, 329, 331, 333, 338-339, 341-347,  
D14/387, 390-392, 396-399, 432, 454, 455,  
D14/456; D18/1, 2, 6, 7, 12.2, 25, 52;  
D21/329; 235/145 R; 341/22, 27, 28;

345/168, 169, 170, 171, 172, 947, 948;  
379/368, 433.07; 400/109, 484, 485,  
400/110, 111, 472, 489, 490; 455/186.2,  
455/556.2; 200/5 A  
CPC ..... E05B 65/0067  
See application file for complete search history.

(56) **References Cited**

**U.S. PATENT DOCUMENTS**

D293,467 S 12/1987 Elkerbout  
D303,111 S 8/1989 Paley

(Continued)

**FOREIGN PATENT DOCUMENTS**

KR 30-2008-0007143 10/2008

**OTHER PUBLICATIONS**

Sony Vaio X505, available at least as early as May 8, 2005.

(Continued)

*Primary Examiner* — Lakiya Rogers  
*Assistant Examiner* — Harold Blackwell, II  
(74) *Attorney, Agent, or Firm* — Saidman DesignLaw Group, LLC

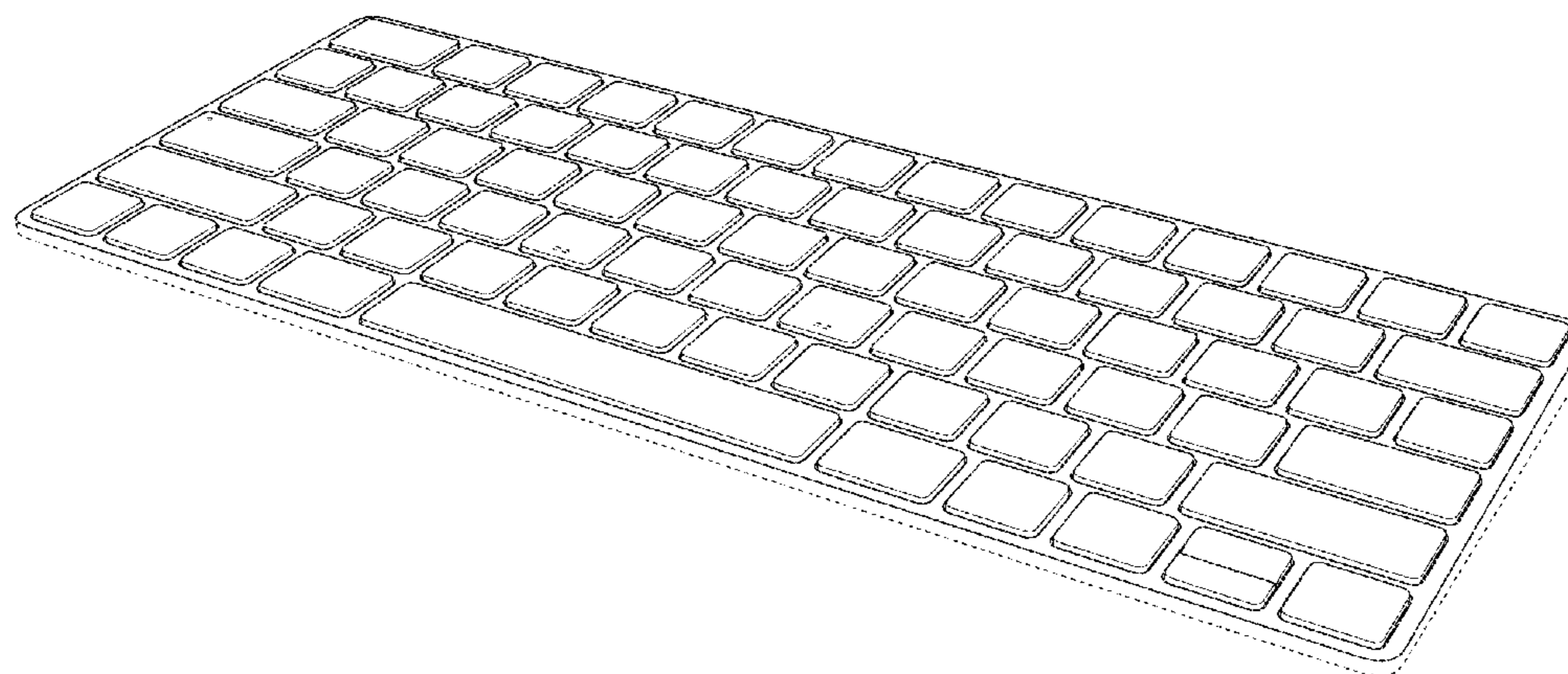
(57) **CLAIM**

The ornamental design for an electronic device, as shown and described.

**DESCRIPTION**

FIG. 1 is a top front perspective view of an electronic device showing our new design;  
FIG. 2 is a top rear perspective view thereof;  
FIG. 3 is a front view thereof;  
FIG. 4 is a rear view thereof;  
FIG. 5 is a left side view thereof;  
FIG. 6 is a right side view thereof; and,  
FIG. 7 is a top view thereof.  
The broken lines in the drawings illustrate portions of an electronic device which form no part of the claimed design.

**1 Claim, 4 Drawing Sheets**



(56)

References Cited

U.S. PATENT DOCUMENTS

D310,209 S 8/1990 Kasprzycki  
 D316,549 S 4/1991 Hampf  
 D334,398 S 3/1993 Conard  
 D335,660 S 5/1993 Busch  
 D338,452 S 8/1993 Allgeier  
 D344,724 S 3/1994 Pangburn  
 D346,161 S 4/1994 Oh et al.  
 D348,875 S 7/1994 Wang  
 5,439,304 A 8/1995 Phillips et al.  
 5,717,430 A 2/1998 Copland et al.  
 D420,997 S 2/2000 Jordan  
 D430,875 S 9/2000 Beecroft  
 D436,951 S 1/2001 Andresen  
 D445,793 S 7/2001 Ji  
 D446,520 S 8/2001 Ji  
 D447,136 S 8/2001 Groves et al.  
 D454,566 S 3/2002 Andre et al.  
 D485,271 S 1/2004 Kamegi  
 D490,812 S 6/2004 Andre et al.  
 D501,472 S 2/2005 Kumano  
 D501,660 S 2/2005 Kumano  
 D514,098 S 1/2006 Huang et al.  
 D518,053 S 3/2006 Chen  
 D526,319 S 8/2006 Ohno  
 D529,910 S 10/2006 Ota  
 7,167,158 B2 1/2007 Silverbrook  
 D543,544 S 5/2007 Cheng  
 D556,758 S 12/2007 Nguyen et al.  
 D558,753 S 1/2008 Andre et al.  
 D572,246 S 7/2008 Andre et al.  
 D574,378 S 8/2008 Andre et al.  
 D579,450 S 10/2008 Ozolins et al.  
 D580,433 S 11/2008 Chiang et al.  
 D588,126 S 3/2009 Chiang et al.  
 7,548,220 B2 6/2009 Silverbrook  
 7,567,221 B2 7/2009 Silverbrook  
 D598,451 S 8/2009 Andre et al.  
 D600,688 S 9/2009 Andre et al.  
 D603,861 S 11/2009 Hong et al.  
 D604,289 S 11/2009 Andre et al.  
 D604,294 S 11/2009 Andre et al.  
 D604,300 S 11/2009 Andre et al.  
 D604,736 S 11/2009 Andre et al.  
 D606,068 S 12/2009 Hong et al.  
 D606,534 S 12/2009 Hong et al.  
 D607,450 S 1/2010 Morishita et al.  
 D611,469 S 3/2010 Andre et al.  
 D612,843 S 3/2010 Andre et al.  
 D612,844 S 3/2010 Andre et al.  
 D613,284 S 4/2010 Solomon et al.  
 D616,880 S 6/2010 Andre et al.  
 D616,881 S 6/2010 Andre et al.  
 D616,886 S 6/2010 Andre et al.  
 D621,402 S 8/2010 Andre et al.  
 D625,310 S 10/2010 Andre et al.  
 D625,717 S 10/2010 Andre et al.  
 D633,093 S 2/2011 Andre et al.  
 D633,498 S 3/2011 Andre et al.  
 D635,566 S 4/2011 Andre et al.  
 D640,695 S 6/2011 Andre et al.

D641,021 S 7/2011 Andre et al.  
 D642,172 S 7/2011 Akana et al.  
 D642,560 S 8/2011 Akana et al.  
 D649,549 S 11/2011 Andre et al.  
 D652,032 S 1/2012 Akana et al.  
 D655,704 S 3/2012 Akana et al.  
 D661,296 S 6/2012 Akana et al.  
 D662,497 S 6/2012 Akana et al.  
 D662,935 S 7/2012 Andre et al.  
 D664,144 S 7/2012 Akana et al.  
 D664,537 S 7/2012 Hu et al.  
 D667,404 S 9/2012 Akana et al.  
 D676,048 S \* 2/2013 McManigal ..... D14/392  
 D681,031 S 4/2013 Lee et al.  
 D685,784 S 7/2013 Ma  
 D687,030 S 7/2013 Andre et al.  
 D687,031 S 7/2013 Chen et al.  
 D691,129 S 10/2013 Akana et al.  
 D695,291 S 12/2013 Andre et al.  
 D696,244 S 12/2013 Akana et al.  
 D696,659 S 12/2013 Chen et al.  
 D696,660 S 12/2013 Chen et al.  
 D696,661 S 12/2013 Chen et al.  
 D706,772 S 6/2014 Koyama et al.  
 D708,179 S 7/2014 Andre et al.  
 D729,227 S 5/2015 Fukuoka  
 D735,196 S \* 7/2015 Son ..... D14/392  
 9,128,532 B2 \* 9/2015 Yu ..... H01H 13/705  
 D740,831 S \* 10/2015 Colby ..... D14/455  
 D745,521 S \* 12/2015 Jiang ..... D14/392  
 D758,377 S \* 6/2016 Warren ..... D14/392  
 D760,226 S \* 6/2016 Bailey ..... D14/392  
 2011/0043985 A1 \* 2/2011 Yang ..... G06F 1/1662  
 361/679.02  
 2012/0099264 A1 4/2012 Degner et al.

OTHER PUBLICATIONS

Sony X505 Keyboard, available at least as early as May 8, 2005.  
 Sony VAIO PCG-4G1L, available at least as early as May 8, 2006.  
 Olidata Altro, available at least as early as Jun. 1, 2009.  
 Olidata Altro, <http://notebookitalia.it/olidata-altro-italian-style-notebook-culv-5674.html>, published Mar. 3, 2009.  
 Rudi, 13-inch MacBook Air has a modern interior, Nov. 2, 2011, prohardver, 2pgs.  
 U.S. Appl. No. 29/361,525 to Jody Akana et al., titled "Electronic Device", filed May 12, 2010 (unpublished).  
 U.S. Appl. No. 29/476,137 to Jody Akana et al., titled "Electronic Device", filed Dec. 11, 2013 (unpublished).  
 U.S. Appl. No. 29/533,837 to Jody Akana et al., titled "Electronic Device", filed Jul. 22, 2015 (unpublished).  
 U.S. Appl. No. 29/560,697 to Jody Akana et al., titled "Electronic Device", filed Apr. 8, 2016 (unpublished).  
 U.S. Appl. No. 29/533,841 to Jody Akana et al., titled "Electronic Device", filed Jul. 22, 2015 (unpublished).  
 U.S. Appl. No. 29/560,682 to Jody Akana et al., titled "Electronic Device", filed Apr. 8, 2016 (unpublished).  
 Onkyo Corporation Japan, Keyboard, available as early as Jul. 22, 2015.  
 Lenovo Group Ltd., Keyboard, available as early as Jul. 22, 2015.

\* cited by examiner

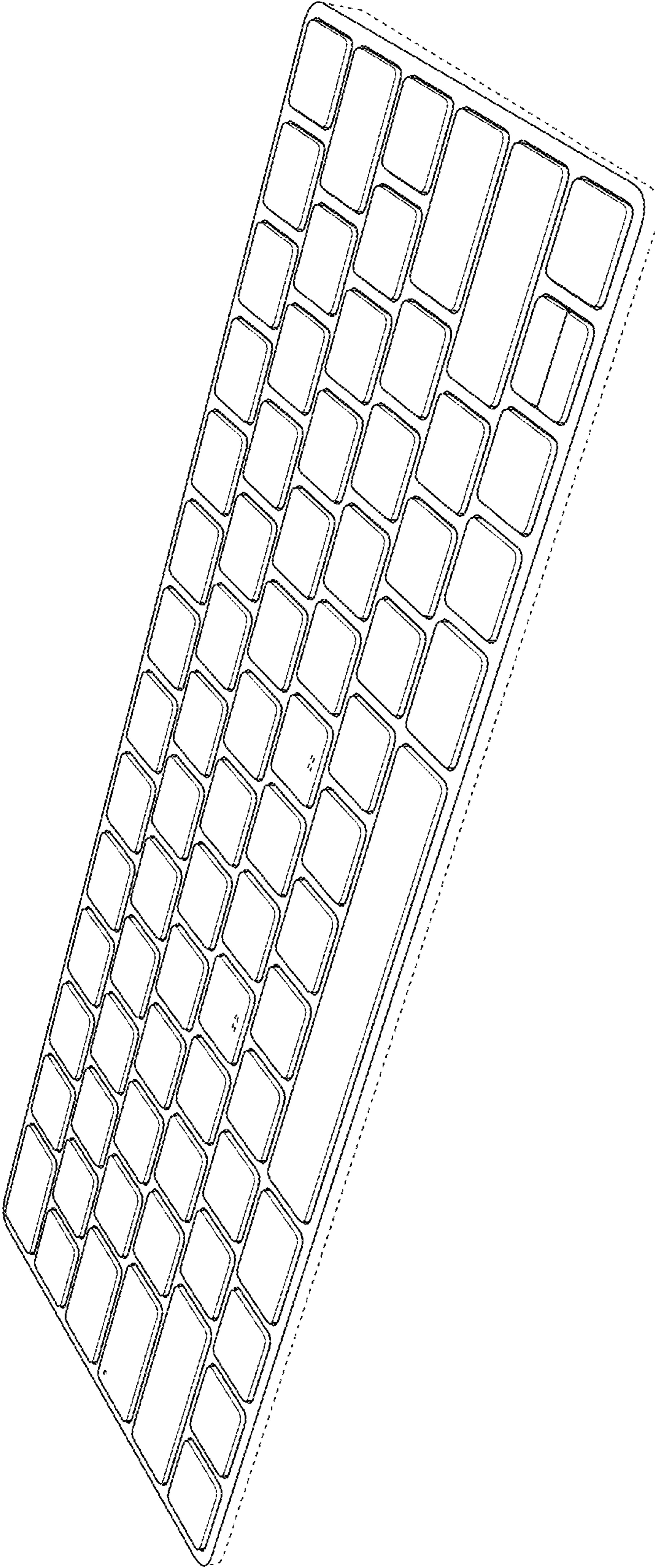


Fig. 1

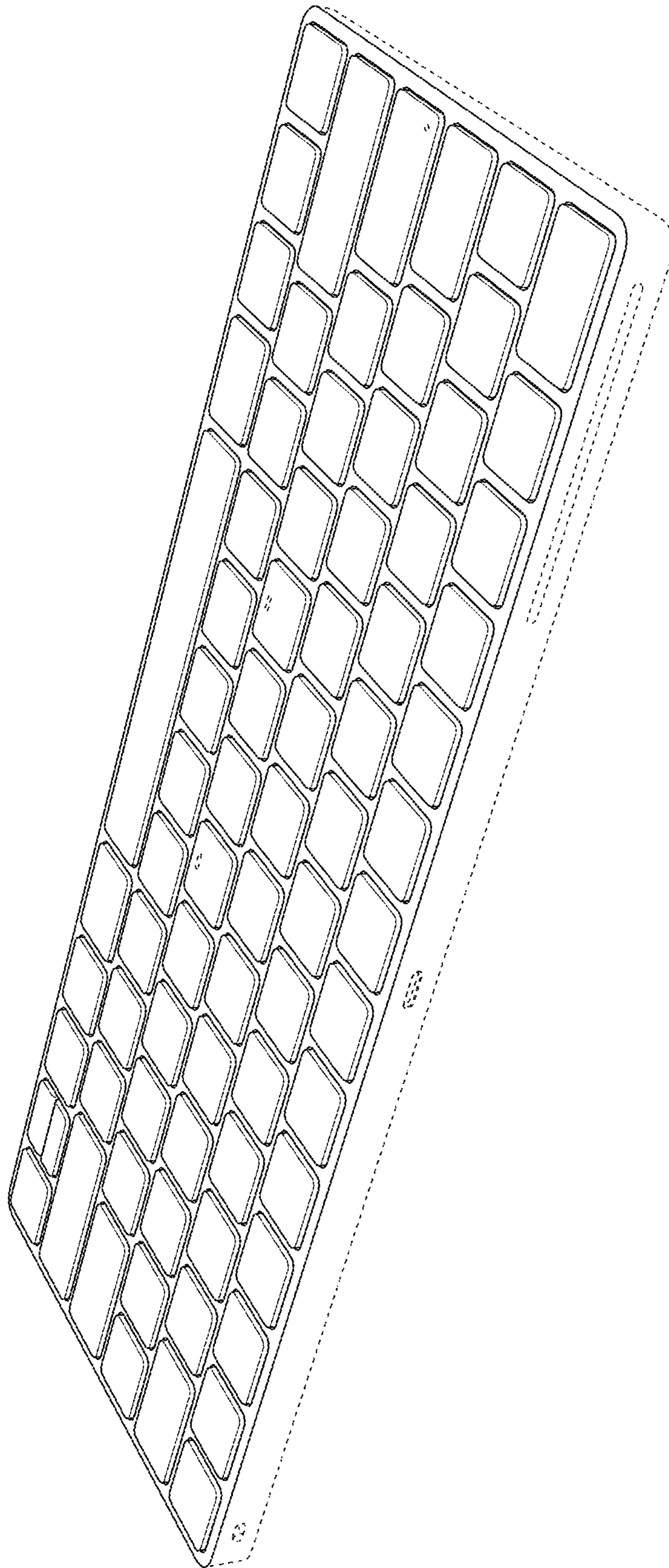
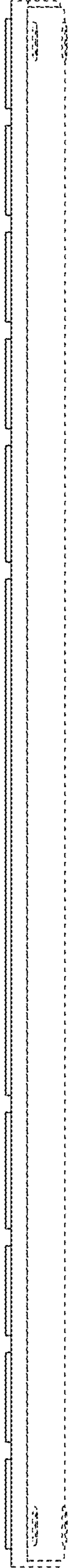
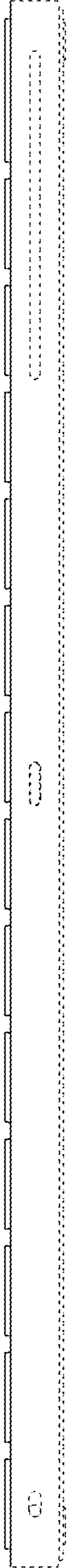


Fig. 2



*Fig. 3*



*Fig. 4*



*Fig. 5*

*Fig. 6*

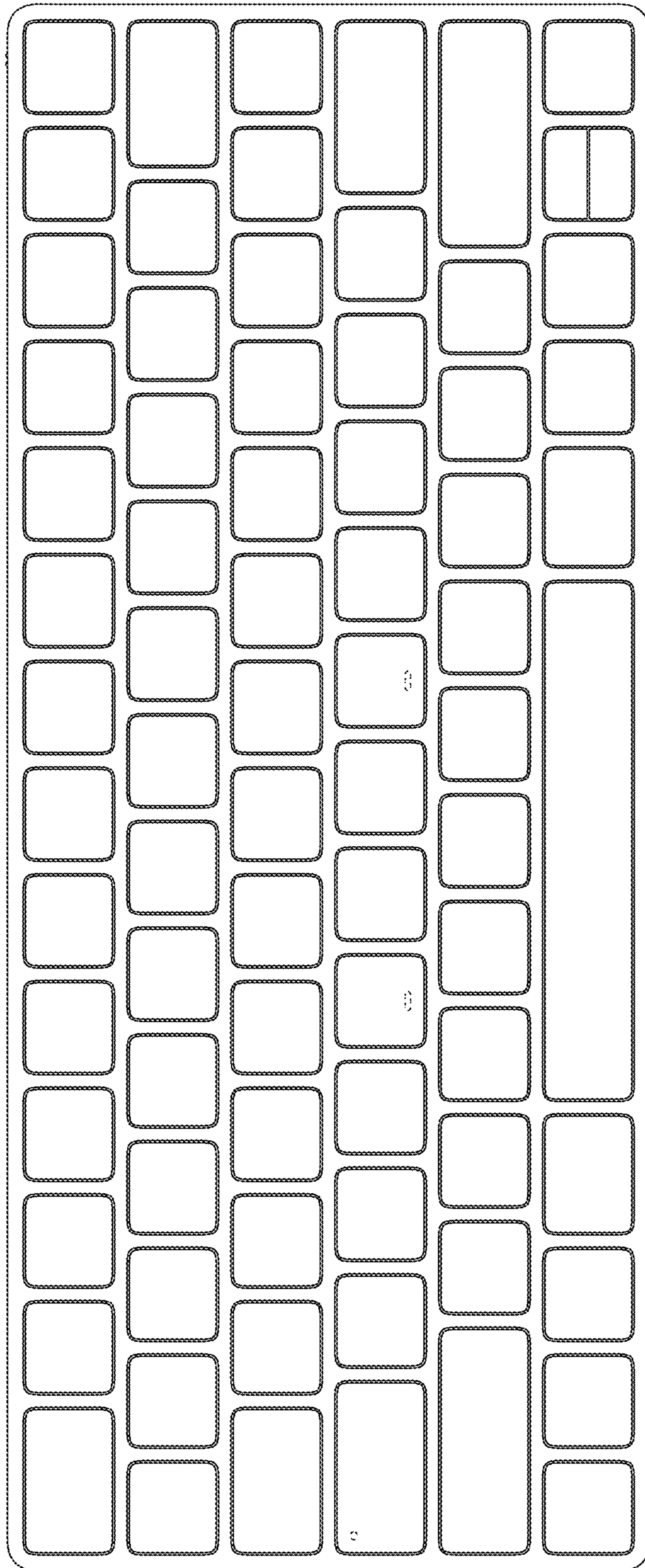


Fig. 7