



US00D772885S

(12) **United States Design Patent** (10) **Patent No.:** **US D772,885 S**
Akana et al. (45) **Date of Patent:** **** Nov. 29, 2016**

(54) **ELECTRONIC DEVICE**

(71) Applicant: **Apple Inc.**, Cupertino, CA (US)

(72) Inventors: **Jody Akana**, San Francisco, CA (US);
Bartley K. Andre, Palo Alto, CA (US);
Jeremy Bataillou, San Francisco, CA (US);
Daniel J. Coster, San Francisco, CA (US);
Daniele De Iuliis, San Francisco, CA (US);
M. Evans Hankey, San Francisco, CA (US);
Julian Hoenig, San Francisco, CA (US);
Richard P. Howarth, San Francisco, CA (US);
Jonathan P. Ive, San Francisco, CA (US);
Duncan Robert Kerr, San Francisco, CA (US);
Matthew Dean Rohrbach, San Francisco, CA (US);
Peter Russell-Clarke, San Francisco, CA (US);
Benjamin Andrew Shaffer, San Jose, CA (US);
Mikael Silvano, San Francisco, CA (US);
Christopher J. Stringer, Woodside, CA (US);
Eugene Antony Whang, San Francisco, CA (US);
Rico Zörkendörfer, San Francisco, CA (US)

(73) Assignee: **Apple Inc.**, Cupertino, CA (US)

(**) Term: **15 Years**

(21) Appl. No.: **29/533,837**

(22) Filed: **Jul. 22, 2015**

(51) **LOC (10) Cl.** **14-02**

(52) **U.S. Cl.**
USPC **D14/455**

(58) **Field of Classification Search**
USPC D14/137, 138, 144, 147, 148, 218, 247,
D14/248, 329, 331, 333, 338-339, 341-347,
D14/387, 390-392, 396-399, 432, 454, 455,
D14/456; D18/1, 2, 6, 7, 12.2, 25, 52;
D21/329; 235/145 R; 341/22, 27, 28;

345/168, 169, 170, 171, 172, 947, 948;
379/368, 433.07; 400/109, 484, 485,
400/110, 111, 472, 489, 490; 455/186.2,
455/556.2; 200/5 A

CPC E05B 65/0067
See application file for complete search history.

(56) **References Cited**

U.S. PATENT DOCUMENTS

D293,467 S 12/1987 Elkerbout
D303,111 S 8/1989 Paley

(Continued)

FOREIGN PATENT DOCUMENTS

KR 30-2008-0007143 10/2008

OTHER PUBLICATIONS

Sony Vaio X505, available at least as early as May 8, 2005.

(Continued)

Primary Examiner — Lakiya Rogers
Assistant Examiner — Harold Blackwell, II
(74) *Attorney, Agent, or Firm* — Saidman DesignLaw Group, LLC

(57) **CLAIM**

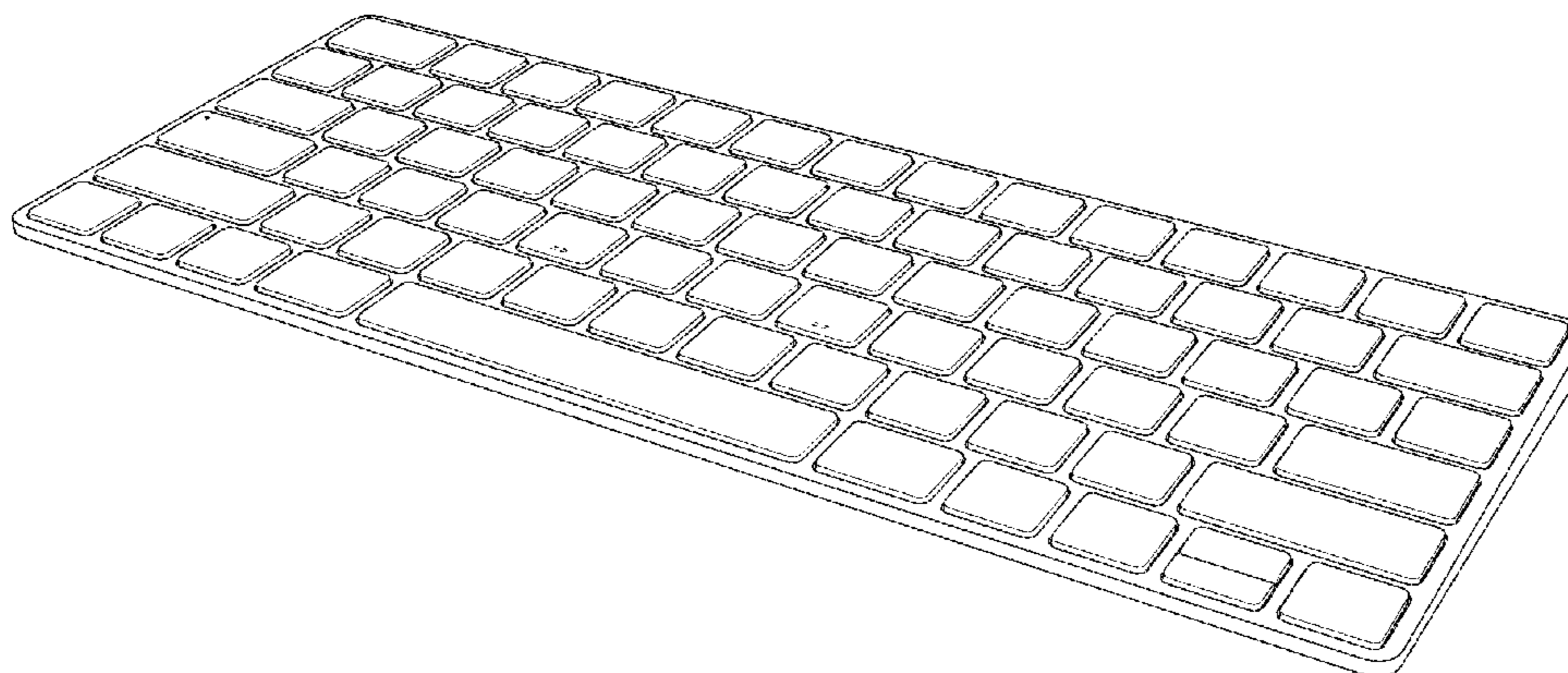
The ornamental design for an electronic device, as shown and described.

DESCRIPTION

FIG. 1 is a top front perspective view of an electronic device showing our new design;
FIG. 2 is a top rear perspective view thereof;
FIG. 3 is a bottom rear perspective view thereof;
FIG. 4 is a bottom front perspective view thereof;
FIG. 5 is a front view thereof;
FIG. 6 is a rear view thereof;
FIG. 7 is a left side view thereof;
FIG. 8 is a right side view thereof;
FIG. 9 is a top view thereof; and,
FIG. 10 is a bottom view thereof.

The broken lines in the drawings illustrate portions of an electronic device which form no part of the claimed design.

1 Claim, 7 Drawing Sheets



(56)

References Cited

U.S. PATENT DOCUMENTS

D310,209 S 8/1990 Kasprzycki
 D316,549 S 4/1991 Hampf
 D334,398 S 3/1993 Conard
 D335,660 S 5/1993 Busch
 D338,452 S 8/1993 Allgeier
 D344,724 S 3/1994 Pangburn
 D346,161 S 4/1994 Oh et al.
 D348,875 S 7/1994 Wang
 5,439,304 A 8/1995 Phillips et al.
 5,717,430 A 2/1998 Copland et al.
 D420,997 S 2/2000 Jordan
 D430,875 S 9/2000 Beecroft
 D436,951 S 1/2001 Andresen
 D445,793 S 7/2001 Ji
 D446,520 S 8/2001 Ji
 D447,136 S 8/2001 Groves et al.
 D454,566 S 3/2002 Andre et al.
 D485,271 S 1/2004 Kamegi
 D490,812 S 6/2004 Andre et al.
 D501,472 S 2/2005 Kumano
 D501,660 S 2/2005 Kumano
 D514,098 S 1/2006 Huang et al.
 D518,053 S 3/2006 Chen
 D526,319 S 8/2006 Ohno
 D529,910 S 10/2006 Ota
 7,167,158 B2 1/2007 Silverbrook
 D543,544 S 5/2007 Cheng
 D556,758 S 12/2007 Nguyen et al.
 D558,753 S 1/2008 Andre et al.
 D572,246 S 7/2008 Andre et al.
 D574,378 S 8/2008 Andre et al.
 D579,450 S 10/2008 Ozolins et al.
 D580,433 S 11/2008 Chiang et al.
 D588,126 S 3/2009 Chiang et al.
 7,548,220 B2 6/2009 Silverbrook
 7,567,221 B2 7/2009 Silverbrook
 D598,451 S 8/2009 Andre et al.
 D600,688 S 9/2009 Andre et al.
 D603,861 S 11/2009 Hong et al.
 D604,289 S 11/2009 Andre et al.
 D604,294 S 11/2009 Andre et al.
 D604,300 S 11/2009 Andre et al.
 D604,736 S 11/2009 Andre et al.
 D606,068 S 12/2009 Hong et al.
 D606,534 S 12/2009 Hong et al.
 D607,450 S 1/2010 Morishita et al.
 D611,469 S 3/2010 Andre et al.
 D612,843 S 3/2010 Andre et al.
 D612,844 S 3/2010 Andre et al.
 D613,284 S 4/2010 Solomon et al.
 D616,880 S 6/2010 Andre et al.
 D616,881 S 6/2010 Andre et al.
 D616,886 S 6/2010 Andre et al.
 D621,402 S 8/2010 Andre et al.
 D625,310 S 10/2010 Andre et al.
 D625,717 S 10/2010 Andre et al.
 D633,093 S 2/2011 Andre et al.
 D633,498 S 3/2011 Andre et al.
 D635,566 S 4/2011 Andre et al.
 D640,695 S 6/2011 Andre et al.

D641,021 S 7/2011 Andre et al.
 D642,172 S 7/2011 Akana et al.
 D642,560 S 8/2011 Akana et al.
 D649,549 S 11/2011 Andre et al.
 D652,032 S 1/2012 Akana et al.
 D655,704 S 3/2012 Akana et al.
 D661,296 S 6/2012 Akana et al.
 D662,497 S 6/2012 Akana et al.
 D662,935 S 7/2012 Andre et al.
 D664,144 S 7/2012 Akana et al.
 D664,537 S 7/2012 Hu et al.
 D667,404 S 9/2012 Akana et al.
 D676,048 S * 2/2013 McManigal D14/392
 D681,031 S 4/2013 Lee et al.
 D685,784 S 7/2013 Ma
 D687,030 S 7/2013 Andre et al.
 D687,031 S 7/2013 Chen et al.
 D691,129 S 10/2013 Akana et al.
 D695,291 S 12/2013 Andre et al.
 D696,244 S 12/2013 Akana et al.
 D696,659 S 12/2013 Chen et al.
 D696,660 S 12/2013 Chen et al.
 D696,661 S 12/2013 Chen et al.
 D706,772 S 6/2014 Koyama et al.
 D708,179 S 7/2014 Andre et al.
 D729,227 S 5/2015 Fukuoka
 D735,196 S * 7/2015 Son D14/392
 9,128,532 B2 * 9/2015 Yu H01H 13/705
 D740,831 S * 10/2015 Colby D14/455
 D745,521 S * 12/2015 Jiang D14/392
 D758,377 S * 6/2016 Warren D14/392
 D760,226 S * 6/2016 Bailey D14/392
 2011/0043985 A1 * 2/2011 Yang G06F 1/1662
 361/679.02
 2012/0099264 A1 4/2012 Degner et al.

OTHER PUBLICATIONS

Sony X505 Keyboard, available at least as early as May 8, 2005.
 Sony Vaio PCG-4G1L, available at least as early as May 8, 2006.
 Olidata Altro, available at least as early as Jun. 1, 2009.
 Olidata Altro, <http://notebookitalia.it/olidata-altro-italian-style-notebook-culv-5674.html>, published Mar. 3, 2009.
 Rudi, 13-inch MacBook Air has a modern interior, Nov. 2, 2011, prohardver, 2pgs.
 U.S. Appl. No. 29/361,525 to Jody Akana et al., titled "Electronic Device", filed May 12, 2010 (unpublished).
 U.S. Appl. No. 29/476,137 to Jody Akana et al., titled "Electronic Device", filed Dec. 11, 2013 (unpublished).
 U.S. Appl. No. 29/560,697 to Jody Akana et al., titled "Electronic Device", filed Apr. 8, 2016 (unpublished).
 U.S. Appl. No. 29/560,693 to Jody Akana et al., titled "Electronic Device", filed Apr. 8, 2016 (unpublished).
 U.S. Appl. No. 29/533,841 to Jody Akana et al., titled "Electronic Device", filed Jul. 22, 2015 (unpublished).
 U.S. Appl. No. 29/560,682 to Jody Akana et al., titled "Electronic Device", filed Apr. 8, 2016 (unpublished).
 Onkyo Corporation Japan, Keyboard, available as early as Jul. 22, 2015.
 Lenovo Group Ltd., Keyboard, available as early as Jul. 22, 2015.

* cited by examiner

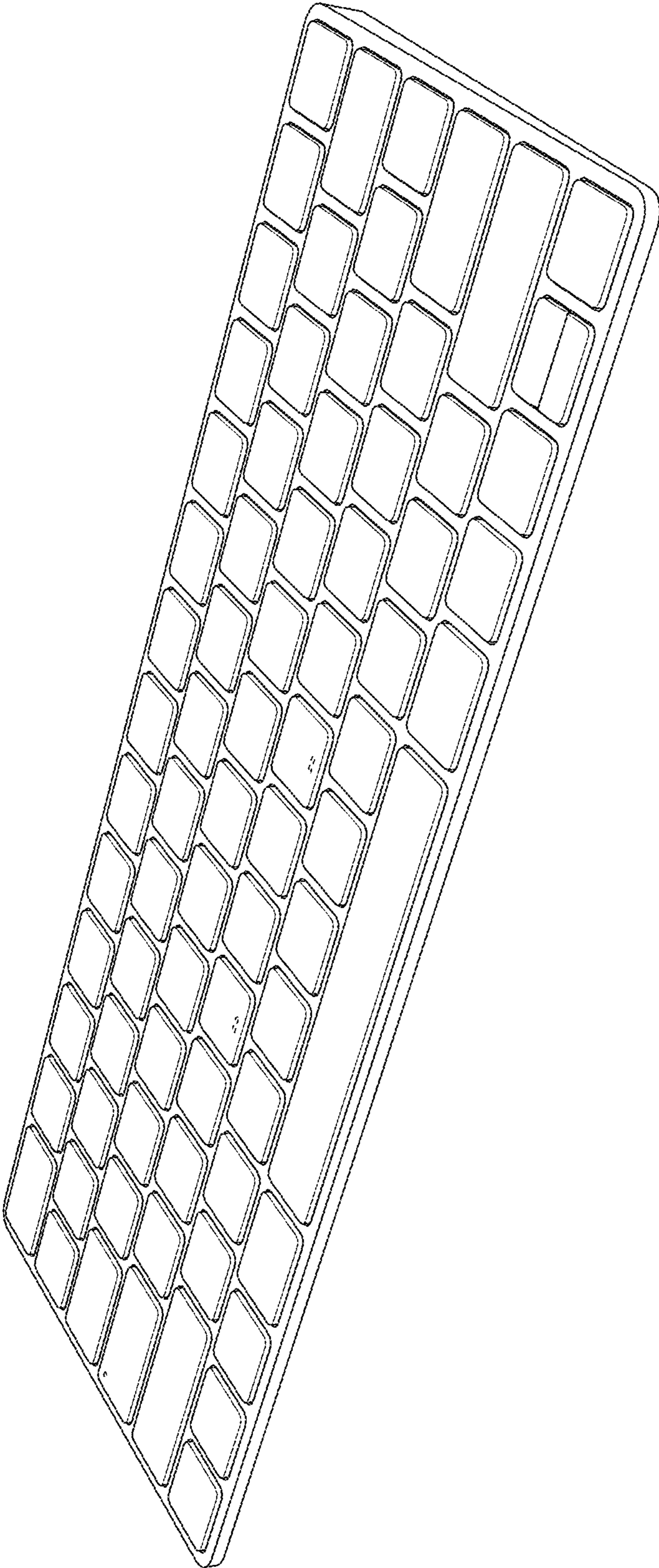


Fig. 1

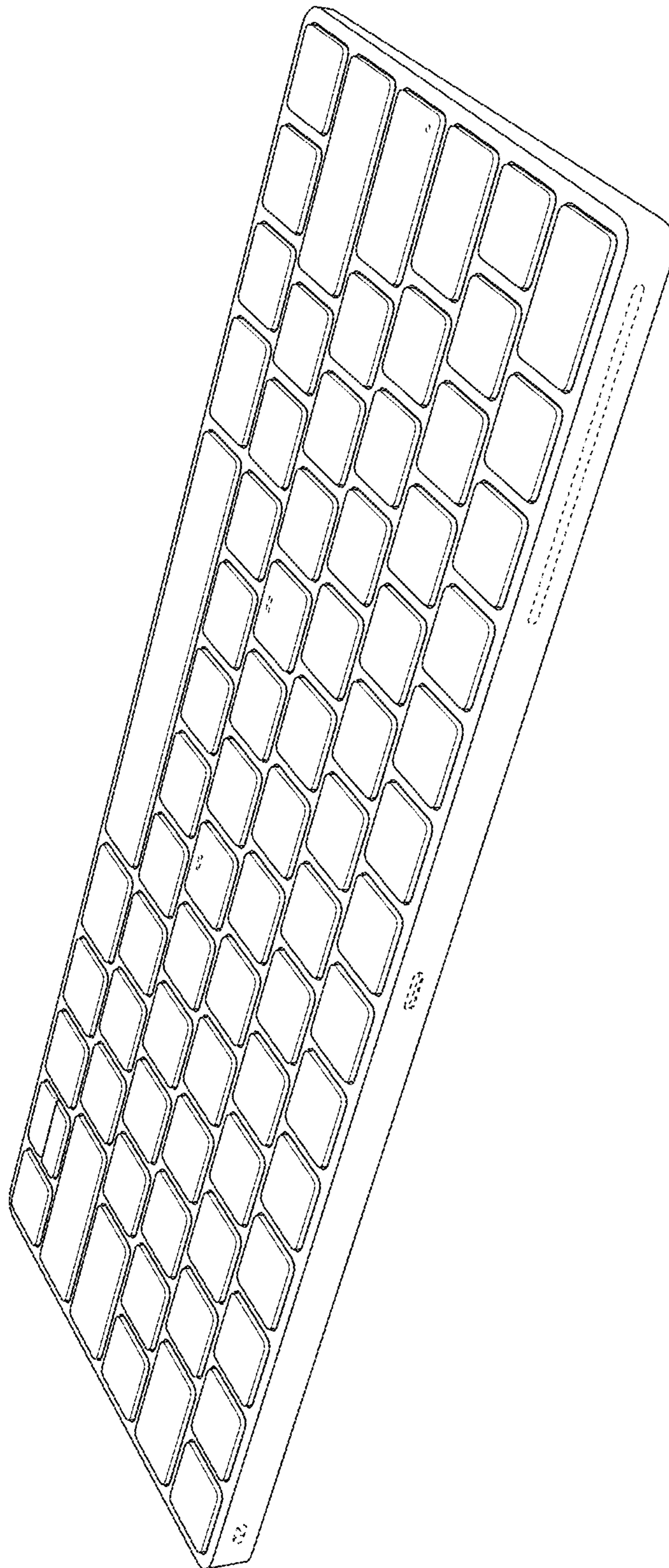


Fig. 2

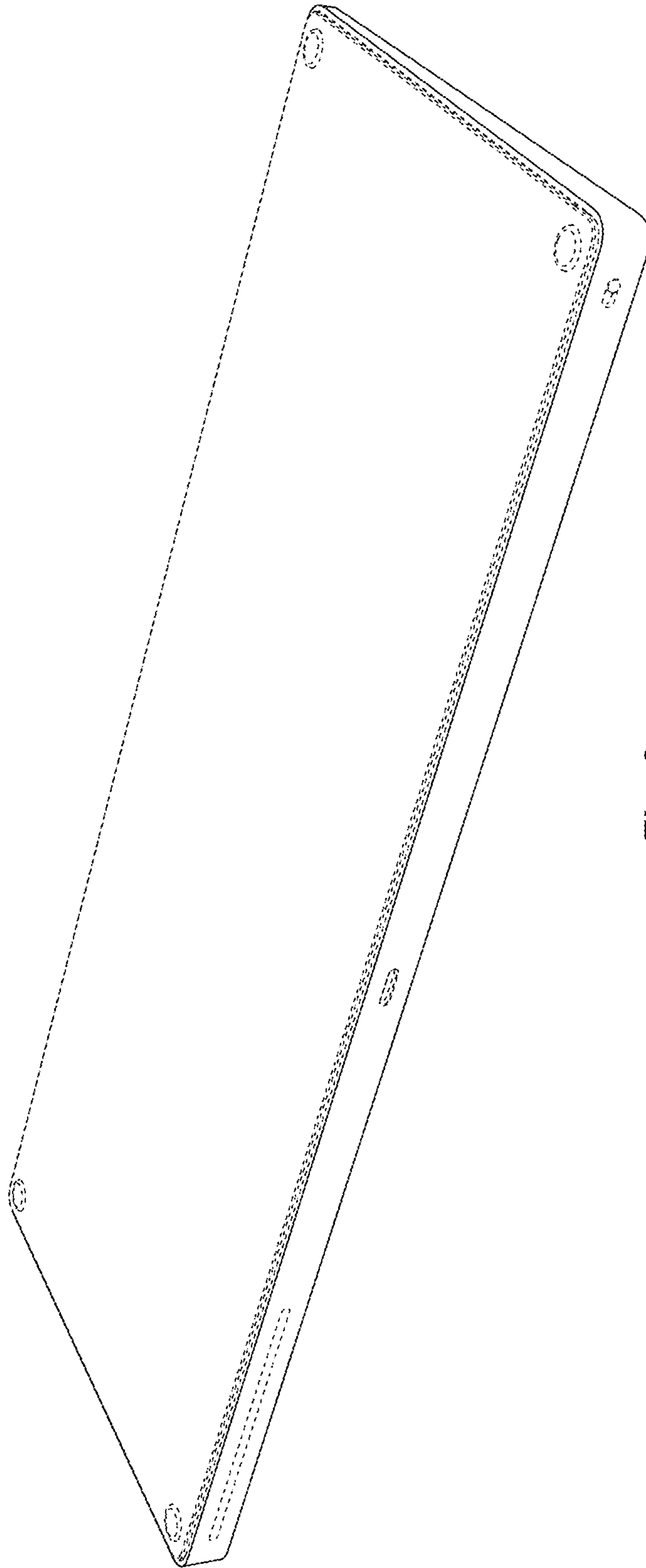


Fig. 3

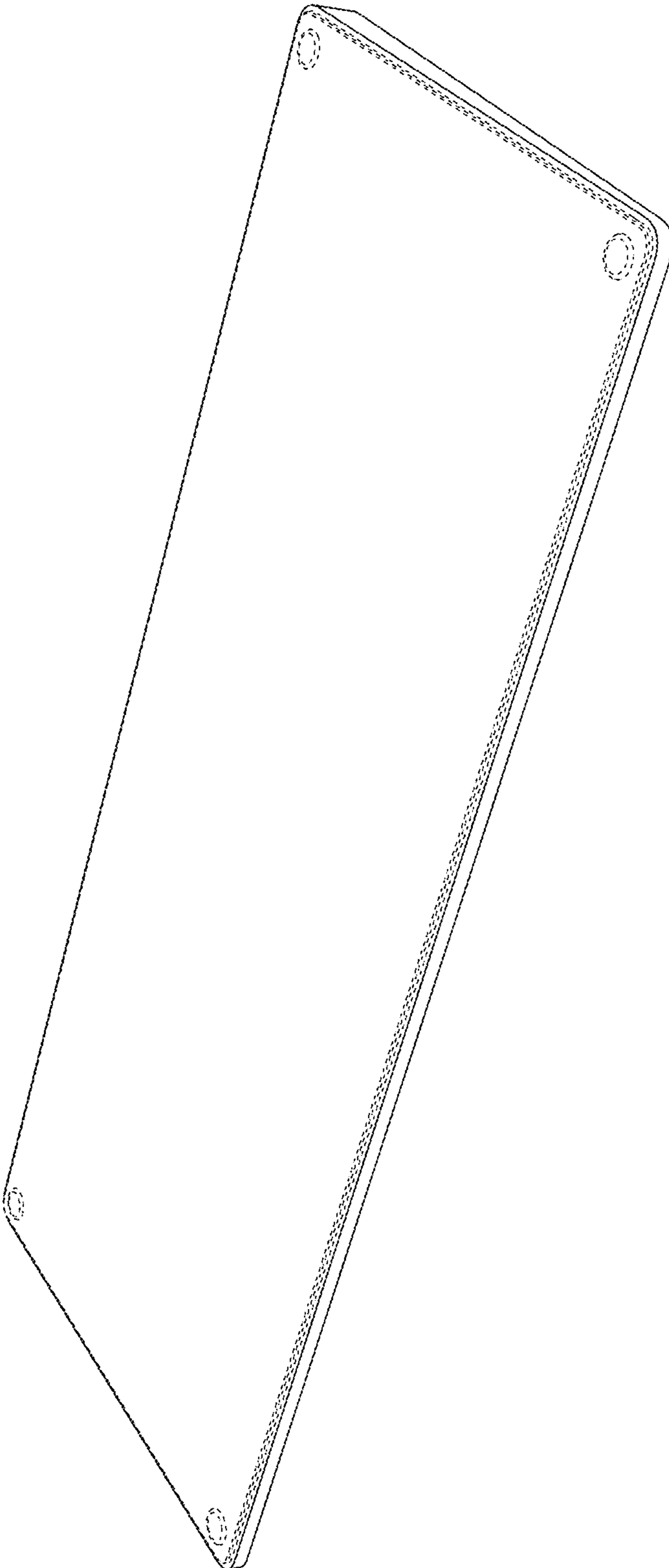


Fig. 4

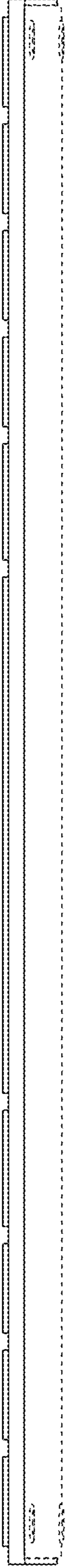


Fig. 5

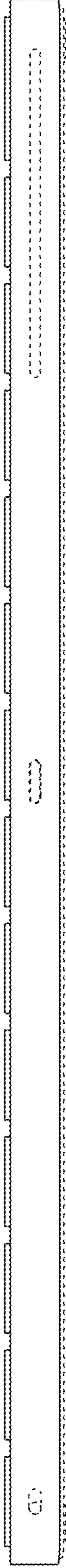


Fig. 6



Fig. 7

Fig. 8

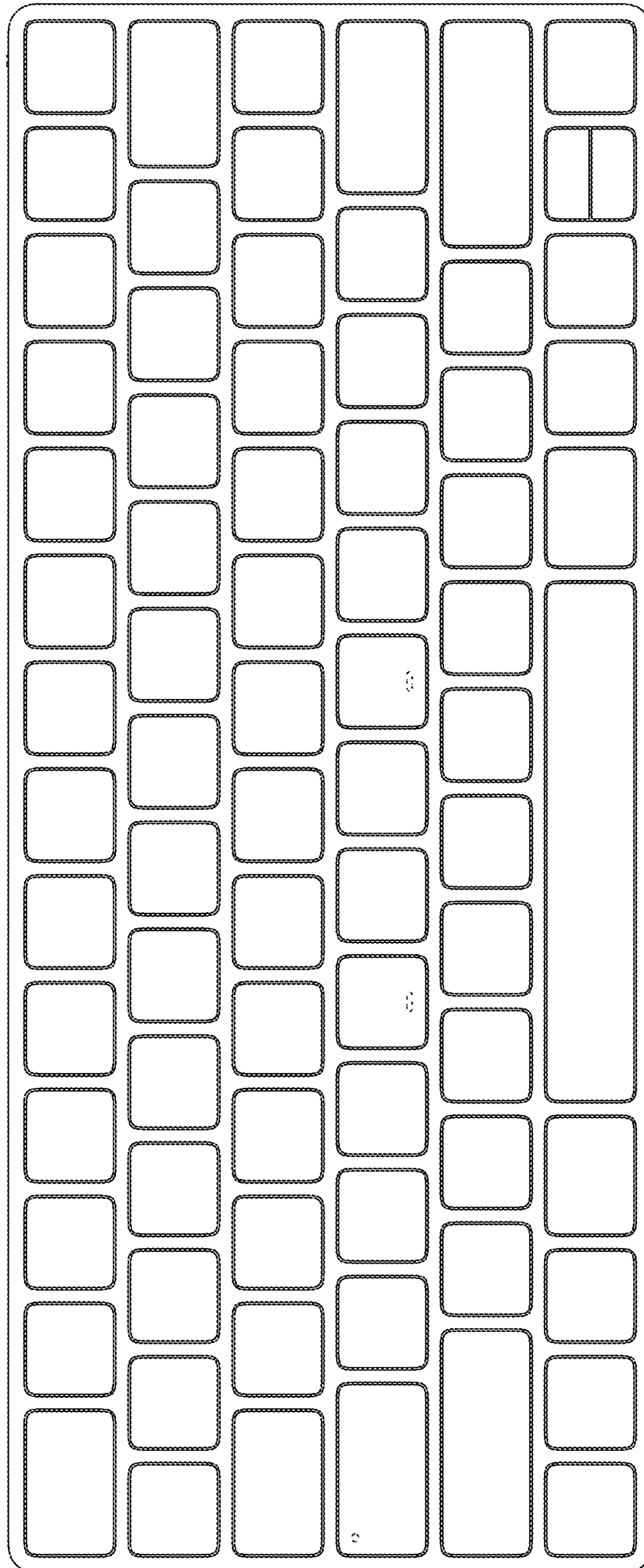


Fig. 9

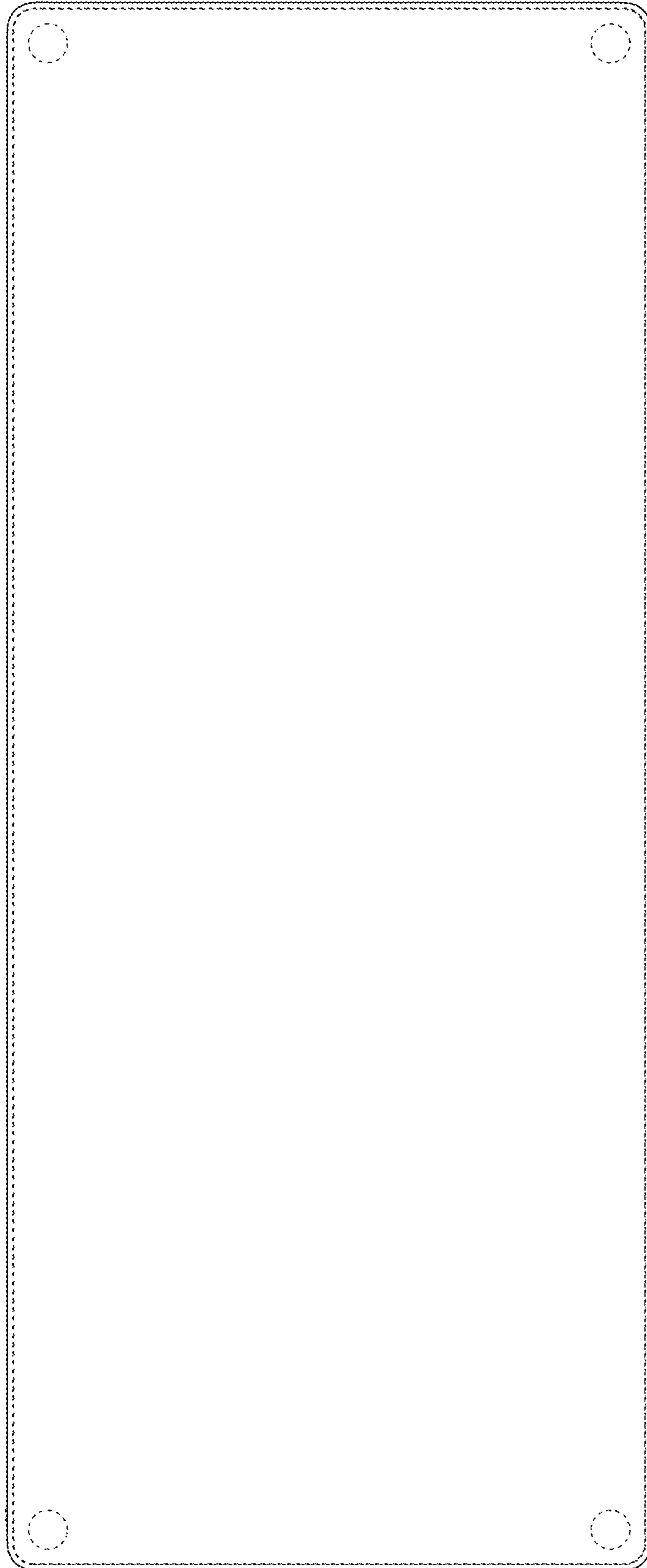


Fig. 10