



US00D772882S

(12) **United States Design Patent**  
**Paschke et al.**

(10) **Patent No.:** **US D772,882 S**

(45) **Date of Patent:** **\*\* Nov. 29, 2016**

- (54) **CONTAINER FOR A HANDHELD ELECTRONIC DEVICE**
- (71) Applicant: **BlackBerry Limited**, Waterloo (CA)
- (72) Inventors: **Brian Dennis Paschke**, Toronto (CA); **Christopher Duy-Liem Dang**, Montreal (CA); **Conroy Nachtigall**, Vancouver (CA); **Alison Phillips**, Toronto (CA)

D719,145 S *	12/2014	Barfoot	.....	D14/250
D721,370 S *	1/2015	Barfoot	.....	D14/400
9,026,181 B2 *	5/2015	Tani	.....	G01C 21/20 455/456.6
D731,494 S *	6/2015	Barfoot	.....	D14/440
D734,760 S *	7/2015	Brunner	.....	D14/440
D736,211 S *	8/2015	Kirkpatrick	.....	D14/434
D745,505 S *	12/2015	Barfoot	.....	D14/250
D745,525 S *	12/2015	Bates	.....	D14/440
2009/0201254 A1 *	8/2009	Rais	.....	G06F 1/1613 345/168
2012/0140396 A1 *	6/2012	Zeliff	.....	G06F 1/1628 361/679.09

(73) Assignee: **BlackBerry Limited**, Waterloo, Ontario (CA)

\* cited by examiner

(\*\*) Term: **15 Years**

*Primary Examiner* — Cynthia Underwood

(21) Appl. No.: **29/534,791**

(74) *Attorney, Agent, or Firm* — Jon Gibbons; Fleit Gibbons Gutman Bongini & Bianco P.L.

(22) Filed: **Jul. 31, 2015**

(51) **LOC (10) Cl.** ..... **14-02**

(52) **U.S. Cl.**  
USPC ..... **D14/440**

(58) **Field of Classification Search**  
USPC ..... D14/250, 440, 447  
CPC ..... G06F 1/1628; G06F 1/1613  
See application file for complete search history.

(57) **CLAIM**

The ornamental design for a container for a handheld electronic device, as shown and described.

**DESCRIPTION**

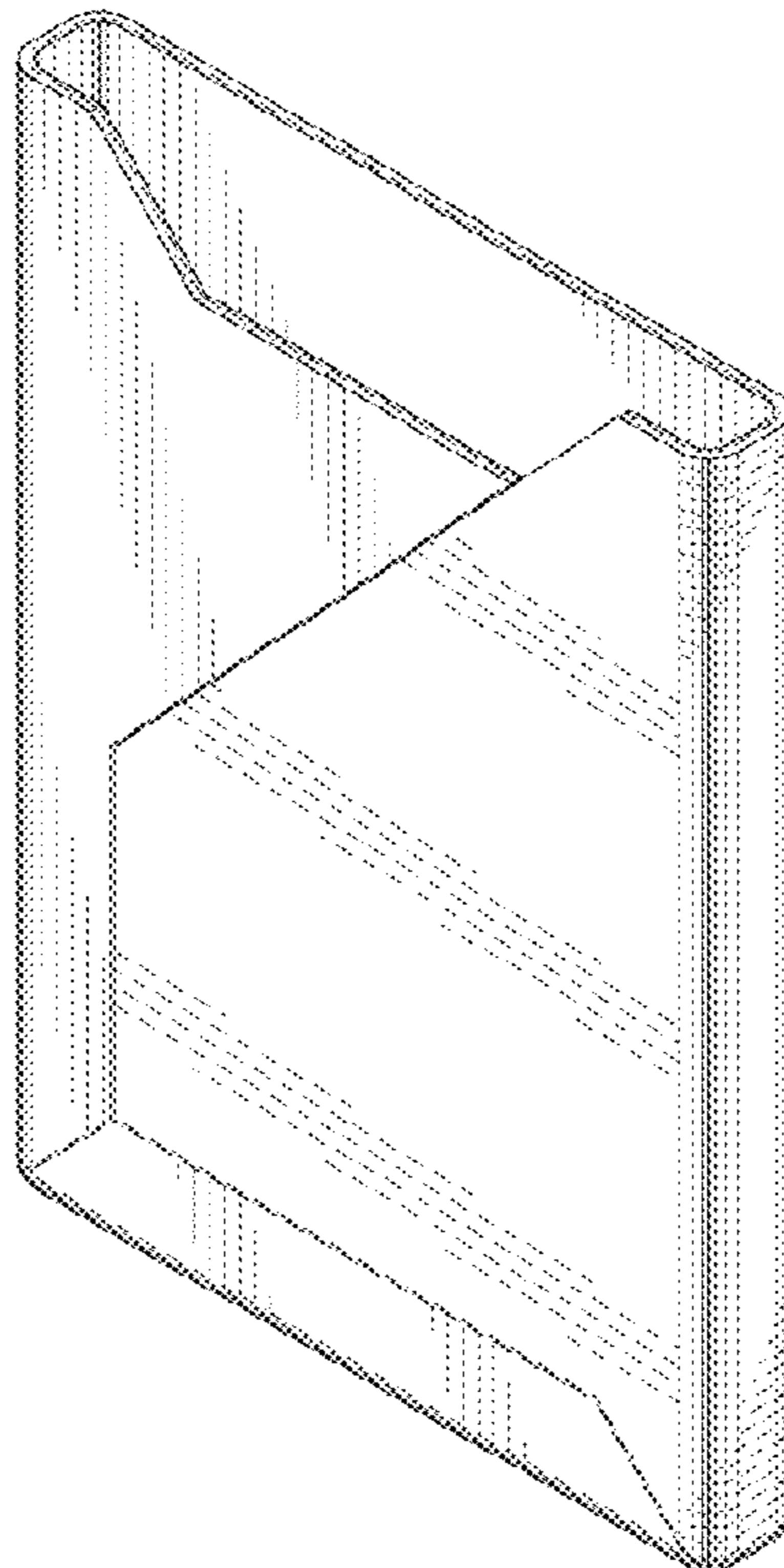
FIG. 1 is a first perspective view of the container for a handheld electronic device;  
FIG. 2 is a second perspective view thereof;  
FIG. 3 is a first elevational view thereof;  
FIG. 4 is a second elevational view thereof;  
FIG. 5 is a first side elevational view thereof;  
FIG. 6 is a second side elevational view thereof;  
FIG. 7 is a top plan view thereof; and,  
FIG. 8 is a bottom plan view thereof.

(56) **References Cited**

U.S. PATENT DOCUMENTS

D639,296 S *	6/2011	Tseng	.....	D14/345
D718,294 S *	11/2014	Barfoot	.....	D14/250
D718,756 S *	12/2014	Barfoot	.....	D14/250

**1 Claim, 6 Drawing Sheets**



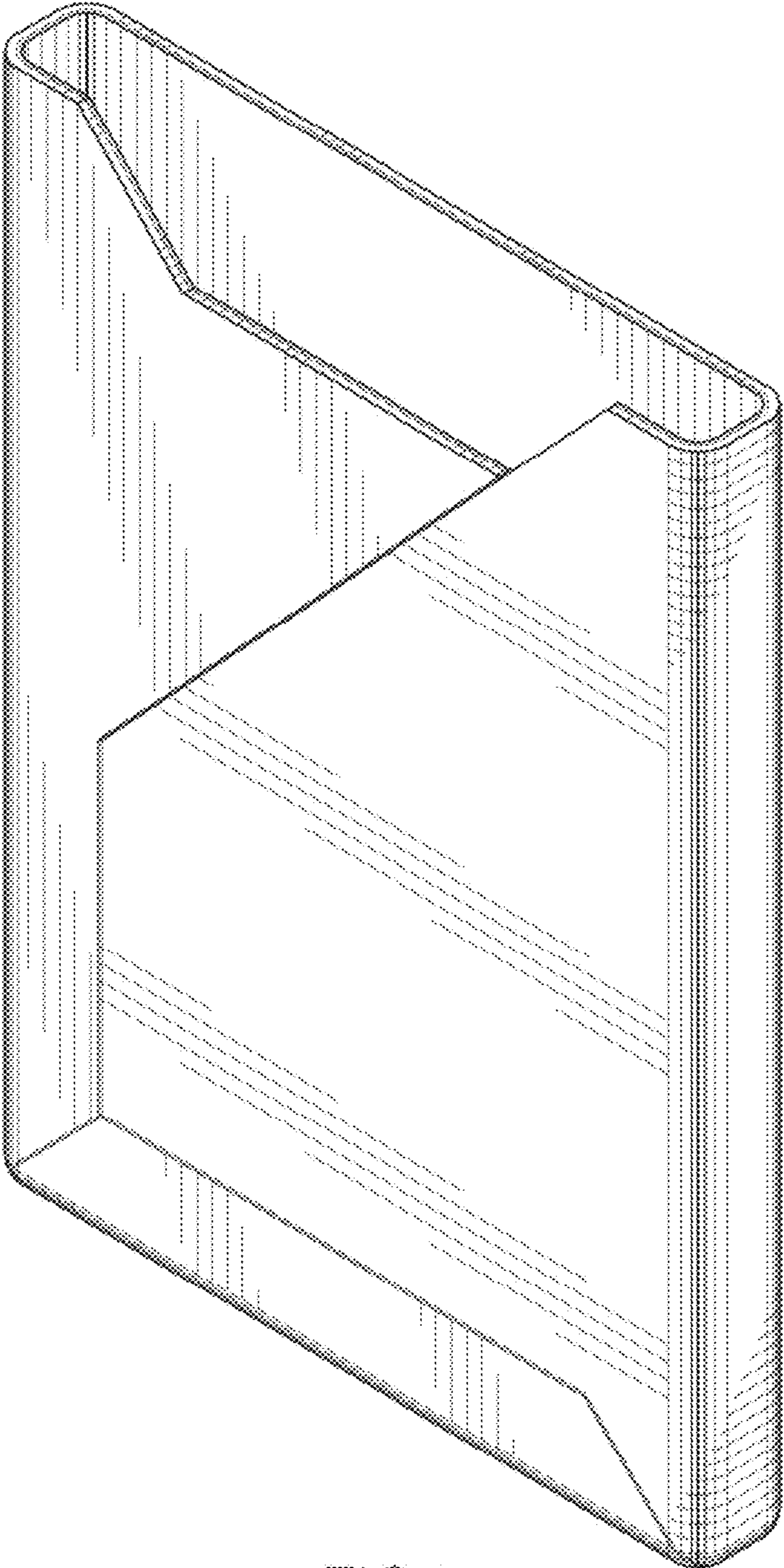


FIG.1

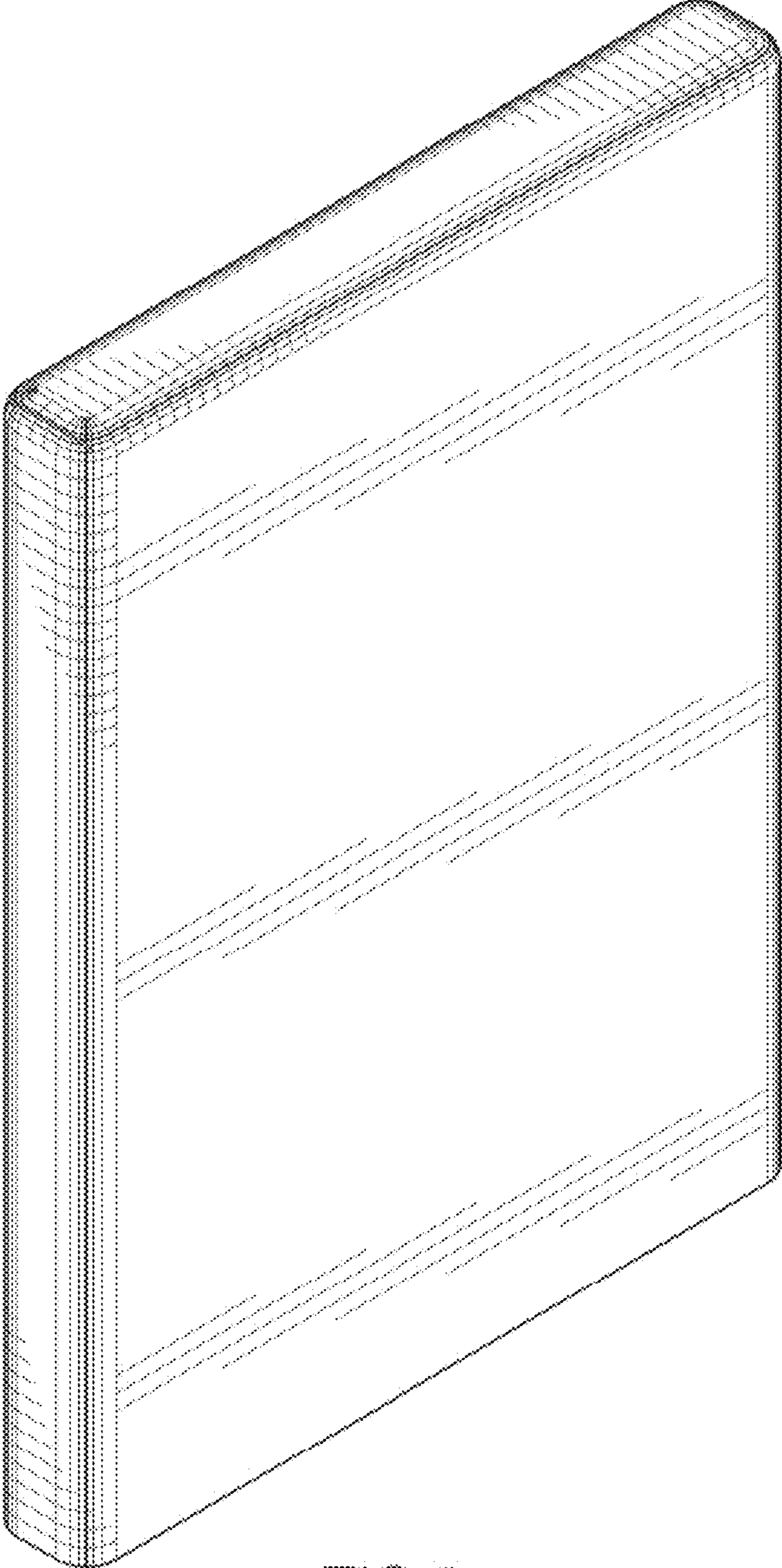


FIG.2

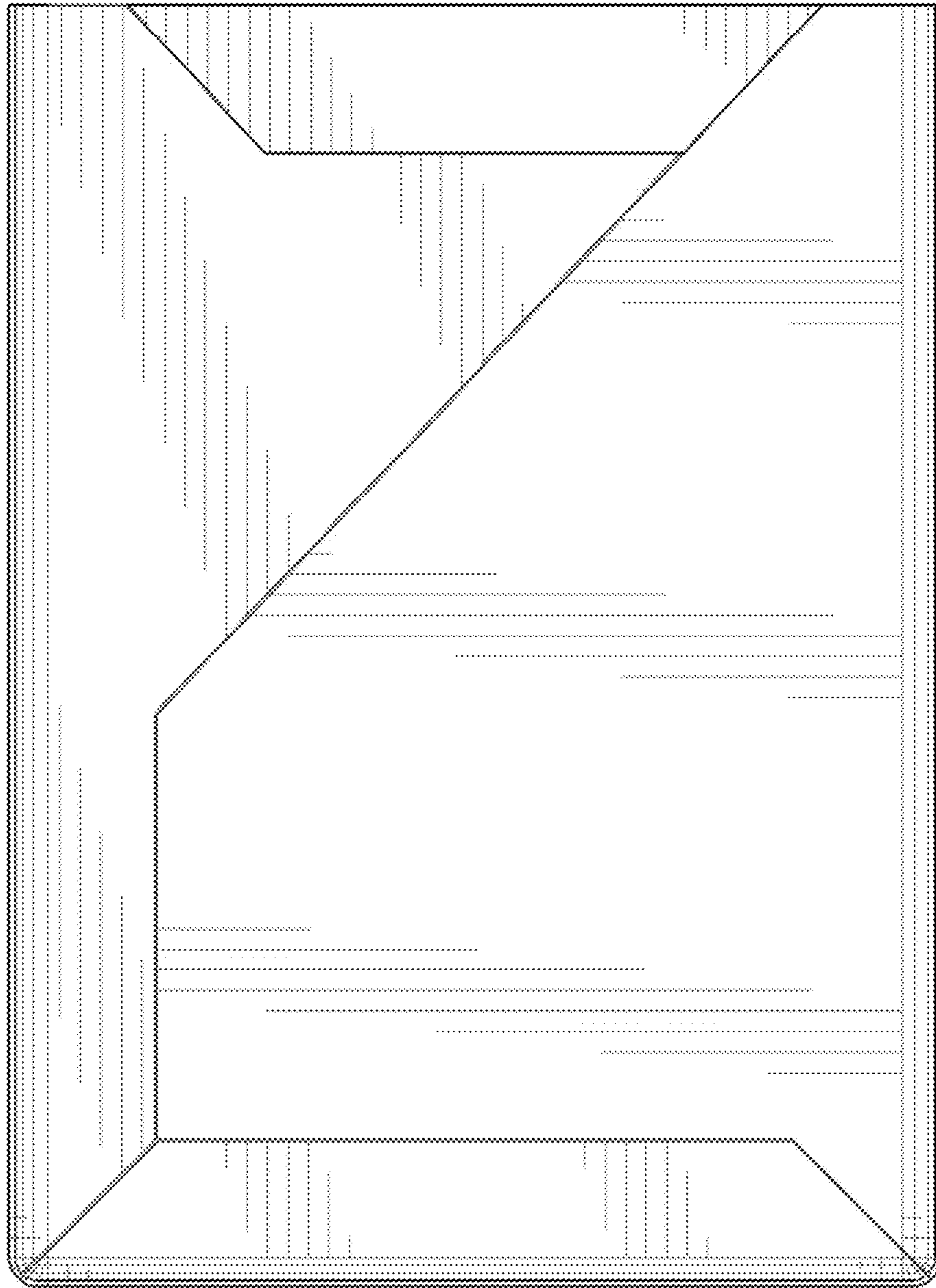


FIG.3

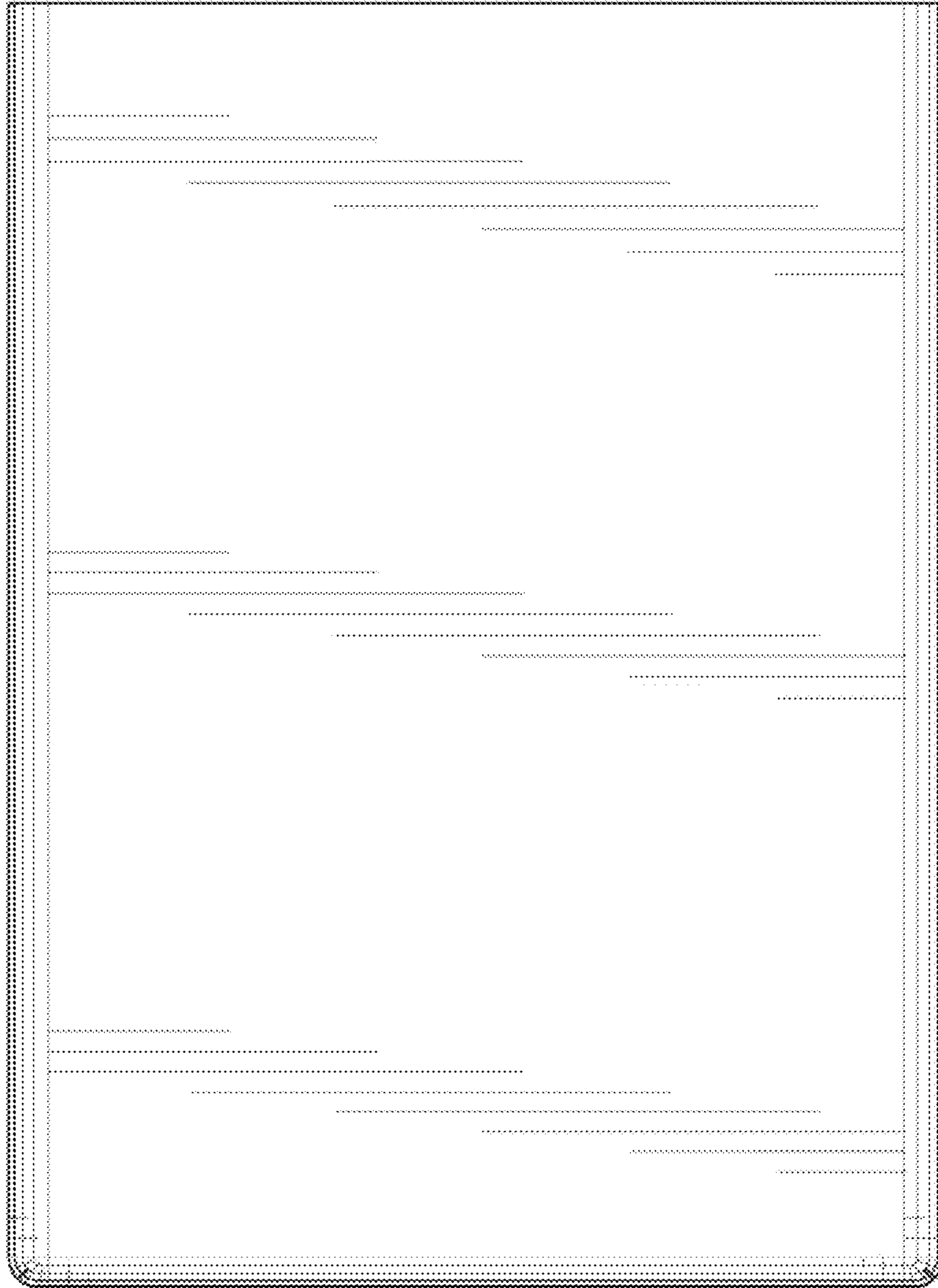


FIG. 4

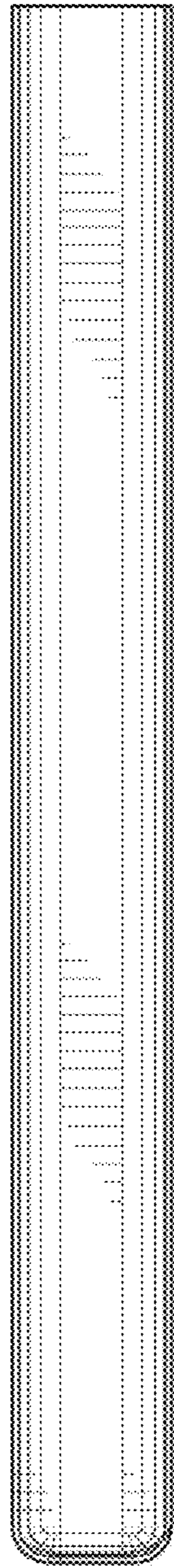


FIG. 5

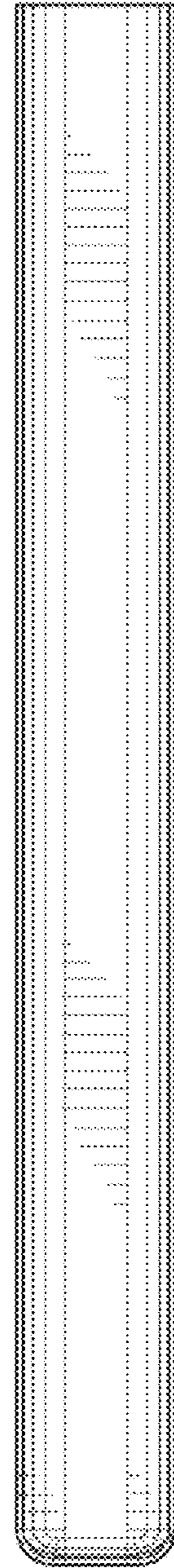


FIG. 6

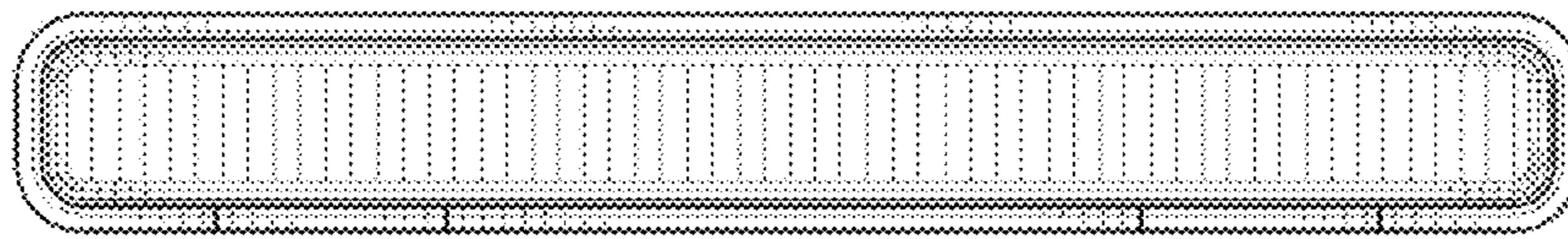


FIG. 7

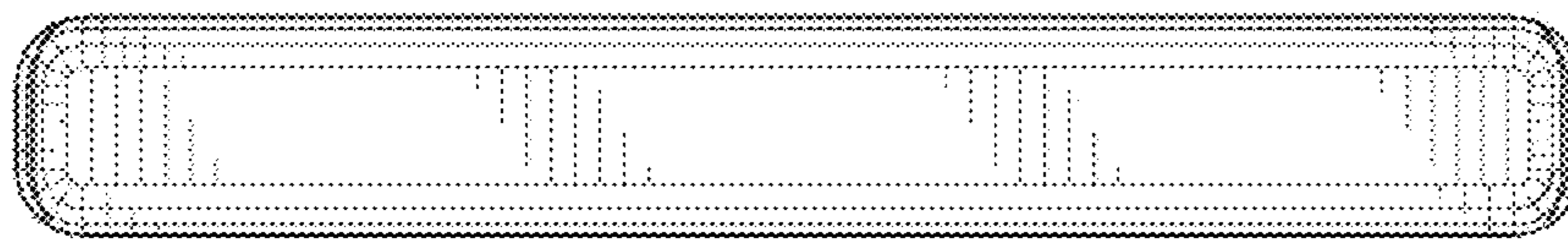


FIG. 8