



US00D772881S

(12) **United States Design Patent**
Chang et al.

(10) **Patent No.:** **US D772,881 S**

(45) **Date of Patent:** **** Nov. 29, 2016**

(54) **CASE FOR ELECTRONIC DEVICE**

(71) Applicant: **OTTER PRODUCTS, LLC**, Fort Collins, CO (US)

(72) Inventors: **Tao-Wei Chang**, San Diego, CA (US); **Lucas B. Weller**, Fort Collins, CO (US); **Richard Rodriguez**, Fort Collins, CO (US); **John P. Fitzgerald**, Fort Collins, CO (US)

(73) Assignee: **Otter Products, LLC**, Fort Collins, CO (US)

(**) Term: **15 Years**

(21) Appl. No.: **29/534,415**

(22) Filed: **Jul. 28, 2015**

(51) **LOC (10) Cl.** **14-02**

(52) **U.S. Cl.**

USPC **D14/440**

(58) **Field of Classification Search**

USPC D14/440, 250, 447; 206/45.23, 320, 206/45.2; 361/679.55; 294/25; 224/218

CPC .. G06F 1/1628; G06F 1/1626; G06F 1/1667; A47B 23/044; H04B 1/3888; A45C 11/00; A45C 3/02; H05K 5/0217

See application file for complete search history.

(56) **References Cited**

U.S. PATENT DOCUMENTS

D356,120 S	3/1995	Allen
D364,191 S	11/1995	Allen
D467,429 S	12/2002	Bone et al.
D539,259 S	3/2007	Wang et al.
7,337,565 B2	3/2008	Tsutsumi et al.
D574,819 S	8/2008	Andre et al.
D575,056 S	8/2008	Tan
D582,405 S	12/2008	Andre et al.
D597,089 S	7/2009	Khan et al.

D602,894 S	10/2009	Lepoultier et al.
7,609,512 B2	10/2009	Richardson et al.
D603,603 S	11/2009	Laine et al.
D606,532 S	12/2009	Jong et al.
D609,463 S	2/2010	Bullen
D615,536 S	5/2010	Richardson et al.
D617,787 S	6/2010	Richardson et al.
D618,230 S	6/2010	Brown et al.
D619,361 S	7/2010	Andre et al.
D623,180 S	9/2010	Diebel
D623,640 S	9/2010	Freeman
D624,304 S	9/2010	Danze et al.
D624,909 S	10/2010	Huskinson
D626,538 S	11/2010	Brown et al.
D628,567 S	12/2010	Du et al.
D638,005 S	5/2011	Richardson et al.
D641,348 S	7/2011	Kim et al.
D643,433 S	8/2011	Hsieh et al.
D647,892 S	11/2011	Ragde
D652,829 S	1/2012	Kim et al.
D654,043 S	2/2012	Pan et al.
D657,354 S	4/2012	Kim
D658,188 S	4/2012	Diebel

(Continued)

Primary Examiner — Cynthia Underwood

(57) **CLAIM**

The ornamental design for a case for electronic device, as shown and described.

DESCRIPTION

FIG. 1 is a front isometric view of a case for electronic device;

FIG. 2 is a rear isometric view thereof;

FIG. 3 is a front view thereof;

FIG. 4 is a rear view thereof;

FIG. 5 is a left view thereof;

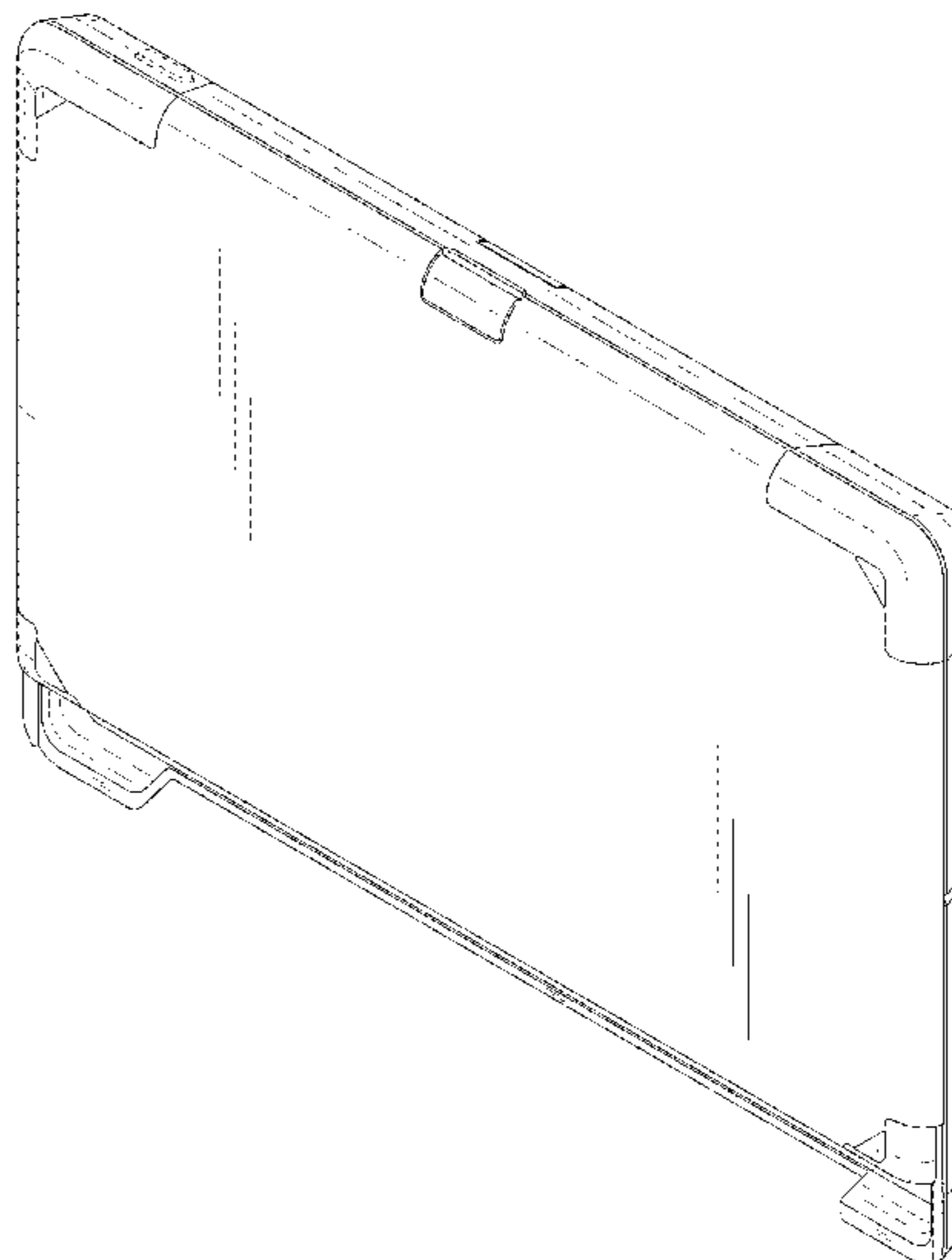
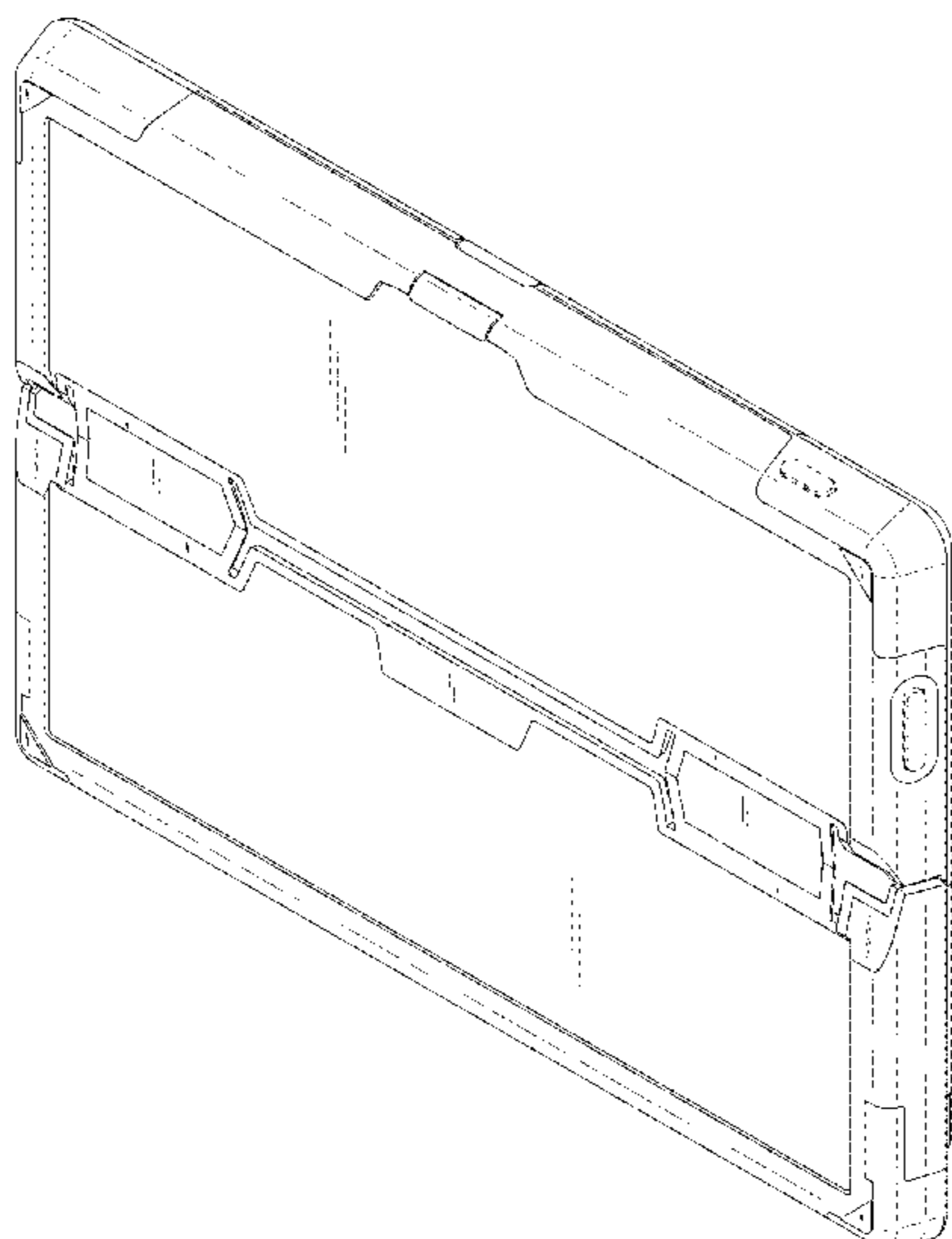
FIG. 6 is a right view thereof;

FIG. 7 is a top view thereof; and,

FIG. 8 is a bottom view thereof.

The broken lines depict unclaimed environment. The broken lines form no part of the claimed design.

1 Claim, 6 Drawing Sheets



(56)

References Cited

U.S. PATENT DOCUMENTS

8,186,514 B2	5/2012	Bowers	D711,312 S	8/2014	Tien
D663,304 S	7/2012	Akana et al.	D711,861 S	8/2014	Mei
D667,783 S	9/2012	Zhang et al.	D712,389 S	9/2014	Namminga
D668,245 S	10/2012	Bau	D712,393 S	9/2014	Kim et al.
D669,458 S	10/2012	Wilson et al.	D712,890 S	9/2014	McCormac et al.
8,286,789 B2	10/2012	Wilson et al.	D713,834 S	9/2014	Almstrom
D671,493 S	11/2012	Hasbrook et al.	D713,848 S	9/2014	Akana et al.
D671,745 S	12/2012	Wyner	D714,550 S	10/2014	Yoo
D671,932 S	12/2012	Azoulay	D714,791 S	10/2014	Liu
D672,353 S *	12/2012	Liu D14/440	D716,280 S	10/2014	Macrina et al.
D672,781 S	12/2012	Lu	D716,284 S	10/2014	Melanson et al.
D673,159 S	12/2012	McCarthy et al.	D719,950 S	12/2014	Smith et al.
D673,551 S	1/2013	Chang et al.	D720,342 S	12/2014	Starrett et al.
D674,792 S	1/2013	Magness	D720,740 S	1/2015	Wicks et al.
D674,801 S	1/2013	Wharram	D721,068 S	1/2015	Melanson et al.
D675,211 S	1/2013	Rouser	D721,071 S	1/2015	Nelson et al.
D675,604 S	2/2013	Limber et al.	D722,952 S	2/2015	Hu et al.
D676,449 S	2/2013	Probst et al.	D725,643 S	3/2015	Lee et al.
D676,845 S	2/2013	Melanson et al.	D726,704 S	4/2015	Park et al.
D678,260 S	3/2013	Bau	D726,731 S	4/2015	Kim
D679,279 S	4/2013	Yang et al.	D734,761 S	7/2015	Ballou et al.
D679,715 S	4/2013	Akana et al.	D735,184 S	7/2015	Lee et al.
D680,522 S	4/2013	Melanson	D737,522 S	8/2015	Lavigne et al.
D681,020 S	4/2013	Magness et al.	D740,798 S	10/2015	Poon et al.
D681,022 S	4/2013	Chang et al.	D741,844 S	10/2015	Rayner et al.
D681,621 S	5/2013	Magness	D741,845 S	10/2015	Kim
D681,622 S	5/2013	Melanson et al.	D742,220 S	11/2015	Eyerman et al.
D681,641 S	5/2013	Van Den Nieuwenhuizen et al.	D742,868 S	11/2015	Odhwani et al.
D682,239 S	5/2013	Yeh et al.	D742,869 S	11/2015	Odhwani et al.
8,443,971 B1	5/2013	Green et al.	D744,472 S	12/2015	Lerenthal
D684,149 S	6/2013	Chang et al.	D744,489 S *	12/2015	Sirichai D14/440
D684,357 S	6/2013	Pegg	D744,995 S	12/2015	Lerenthal
D684,358 S	6/2013	Pegg	D745,780 S	12/2015	Feng
D685,358 S	7/2013	Armstrong et al.	D746,801 S	1/2016	Pan
D685,785 S	7/2013	Seoc et al.	D746,805 S	1/2016	Kim
D686,607 S	7/2013	Hong	D747,303 S	1/2016	Su et al.
D687,027 S	7/2013	Melanson et al.	D748,083 S	1/2016	Peterson
D687,427 S	8/2013	Peterson	D749,066 S	2/2016	Park et al.
D687,438 S	8/2013	Lu	D749,553 S	2/2016	Park et al.
8,504,126 B1	8/2013	Maravilla et al.	D751,808 S	3/2016	Agbeyo
D691,142 S	10/2013	Diebel	9,295,174 B2	3/2016	Witter et al.
D694,244 S	11/2013	Magness et al.	D753,123 S	4/2016	Probst et al.
D694,743 S	12/2013	Monaco et al.	D756,343 S	5/2016	Wall et al.
D695,297 S	12/2013	Sun et al.	D756,977 S	5/2016	Schriefer et al.
D696,253 S	12/2013	Akana et al.	D764,472 S *	8/2016	Corcoran D14/440
D696,256 S *	12/2013	Piedra D14/440	D766,907 S *	9/2016	Veltz D14/440
D696,669 S	12/2013	Akana et al.	2009/0107858 A1	4/2009	Huang
D697,060 S	1/2014	Yang	2011/0095033 A1	4/2011	Hung
D697,903 S	1/2014	Witter et al.	2011/0259664 A1	10/2011	Freeman
D698,345 S	1/2014	Chang et al.	2012/0043235 A1	2/2012	Klement
D702,673 S	4/2014	Murchison et al.	2012/0244920 A1	9/2012	Lee
D703,653 S	4/2014	Brubaker et al.	2012/0303520 A1	11/2012	Huang
D703,654 S	4/2014	Melanson et al.	2013/0020216 A1	1/2013	Chiou
D703,656 S	4/2014	Witter et al.	2013/0048520 A1	2/2013	Garrett et al.
D704,182 S	5/2014	Smith	2013/0098788 A1	4/2013	McCarville et al.
D704,684 S	5/2014	Yeh et al.	2013/0118934 A1	5/2013	Green et al.
D704,685 S	5/2014	Yeh et al.	2013/0157730 A1	6/2013	McCormac et al.
D705,534 S	5/2014	Manjerico	2013/0233762 A1	9/2013	Balaji et al.
D706,256 S	6/2014	Ward et al.	2013/0257240 A1	10/2013	Hong
D709,058 S	7/2014	Hemesath et al.	2014/0049142 A1	2/2014	Magness
D709,869 S	7/2014	Witter et al.	2014/0078671 A1	3/2014	Hong
8,774,881 B2	7/2014	Johnson	2014/0216976 A1	8/2014	Conarro
8,777,003 B2	7/2014	Hong et al.	2014/0357330 A1	12/2014	Lin
D710,346 S	8/2014	Smith et al.	2015/0189963 A1	7/2015	Lai et al.
			2015/0195938 A1	7/2015	Witter et al.
			2015/0270734 A1	9/2015	Davison et al.

* cited by examiner

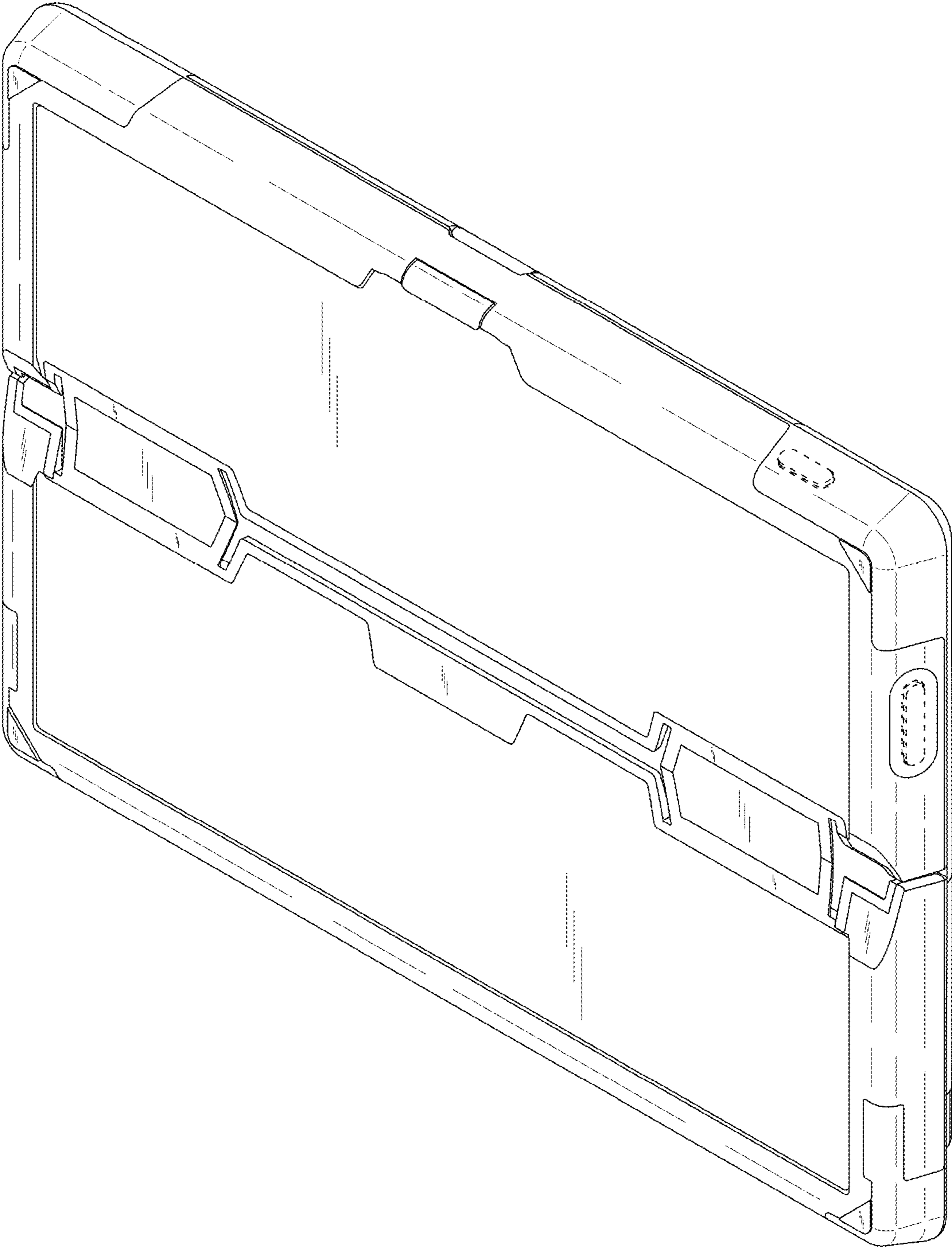


FIG. 1

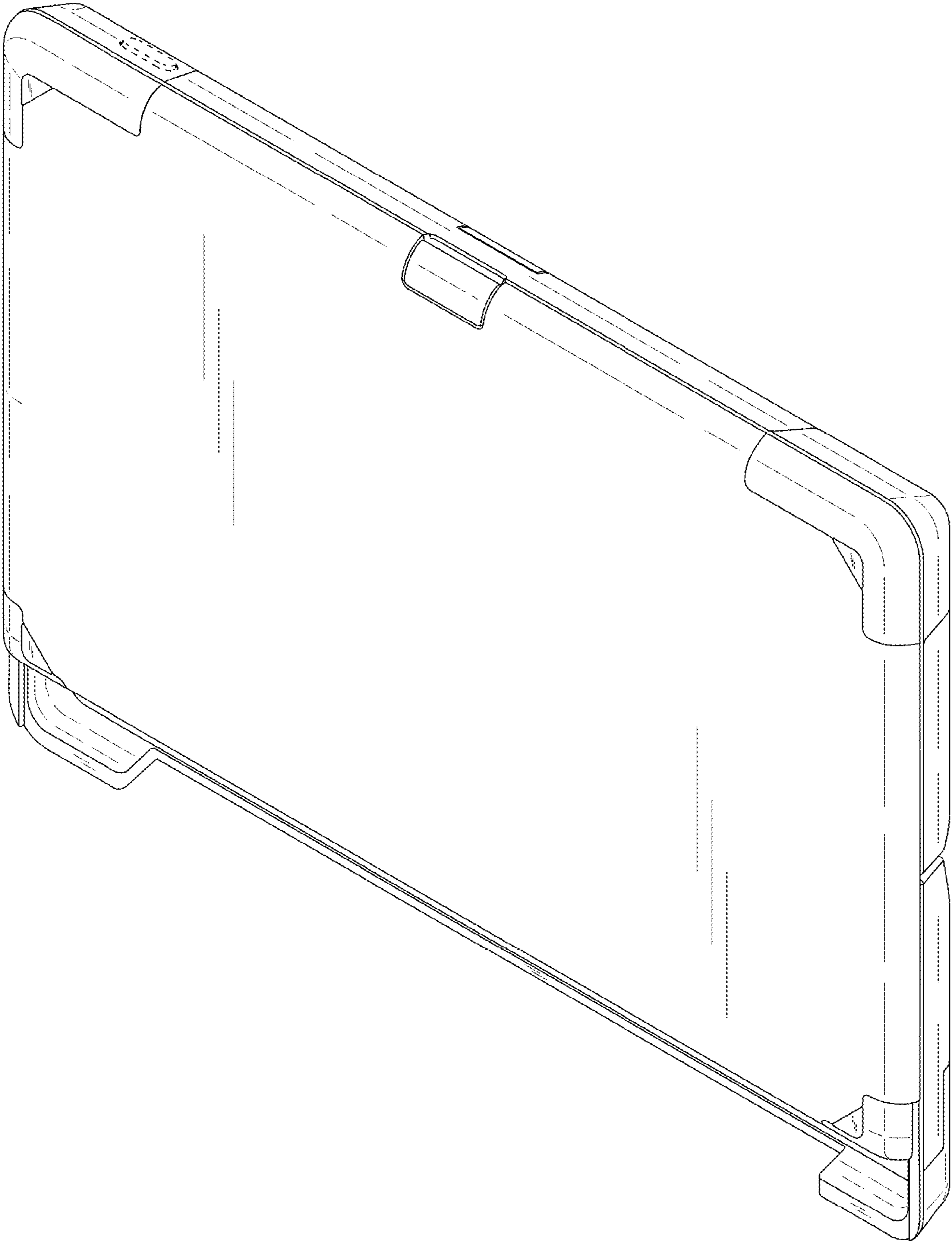


FIG. 2

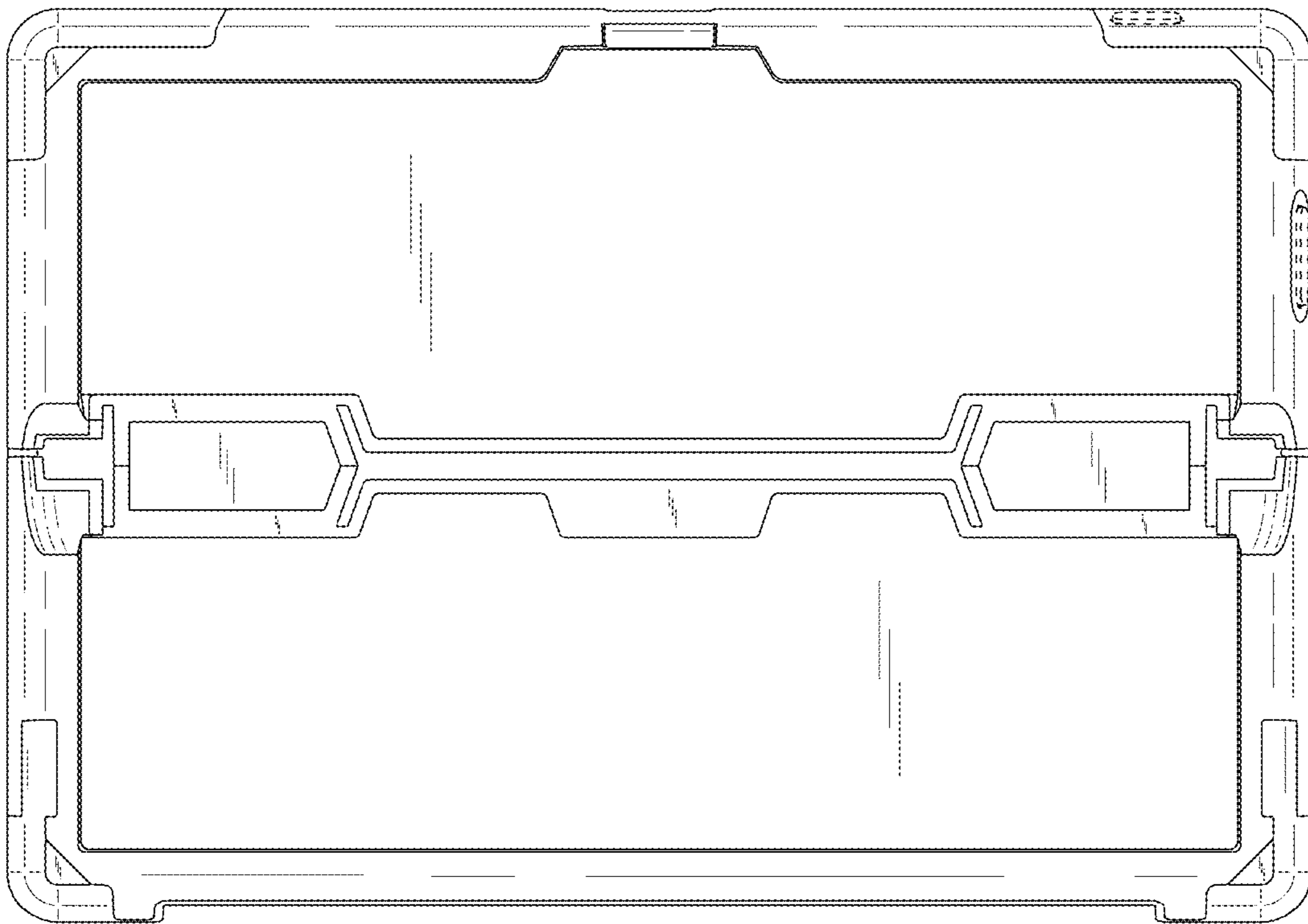


FIG. 3

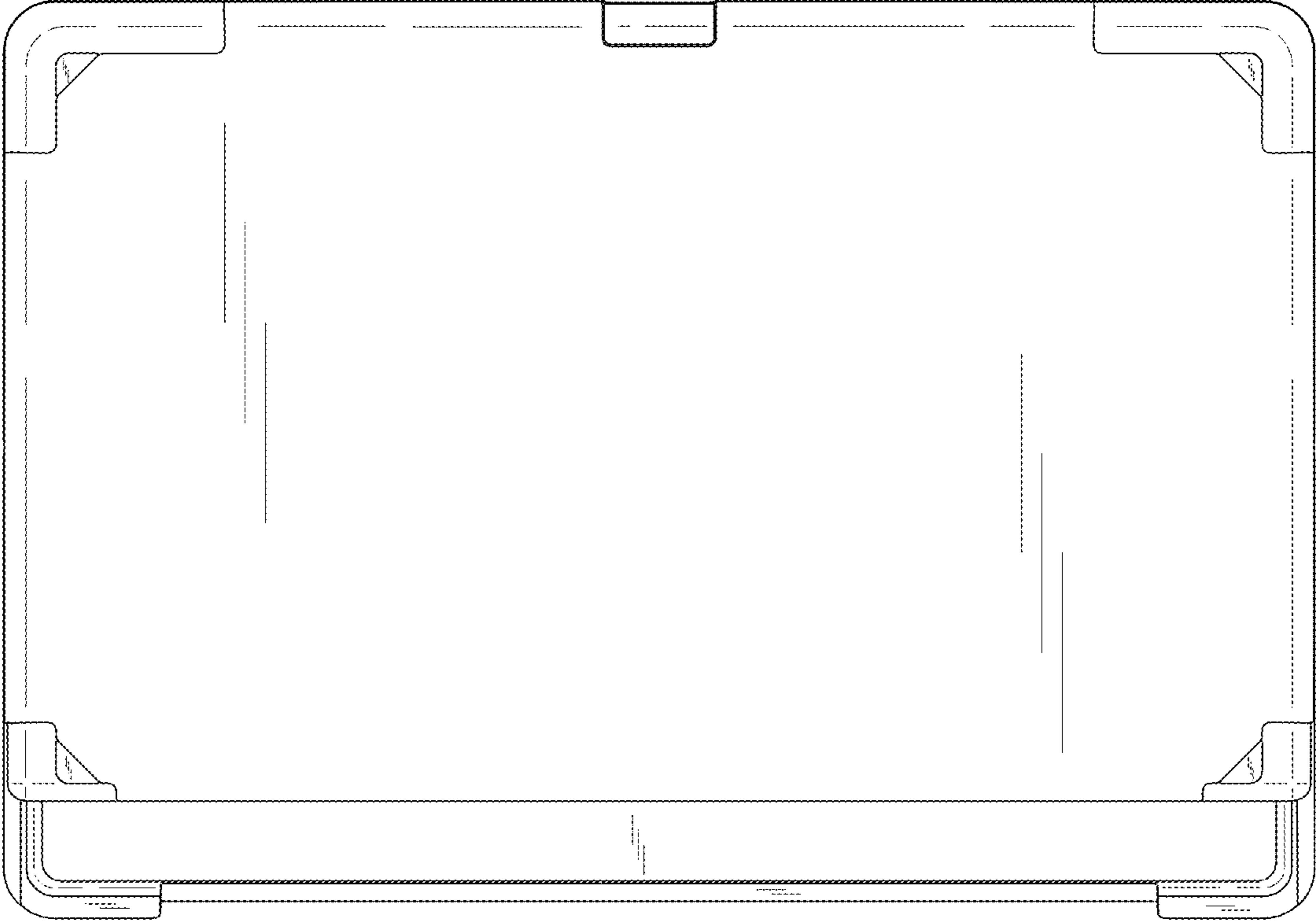


FIG. 4

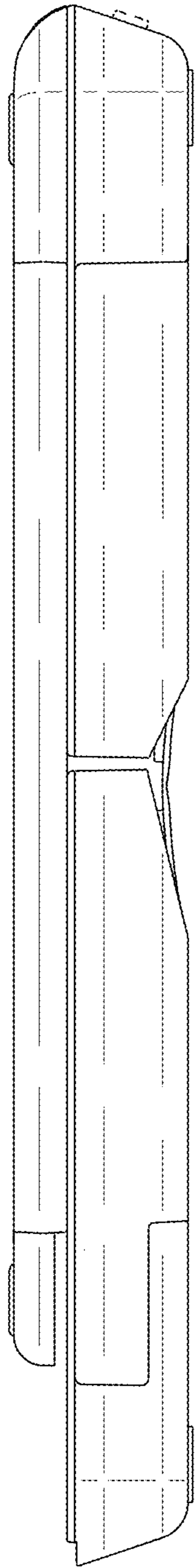


FIG. 5

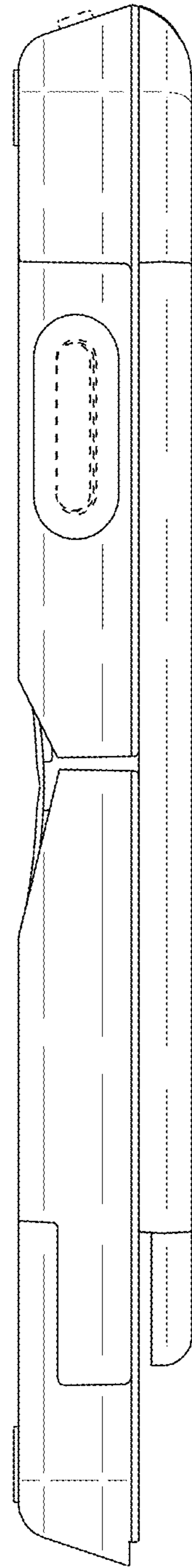


FIG. 6

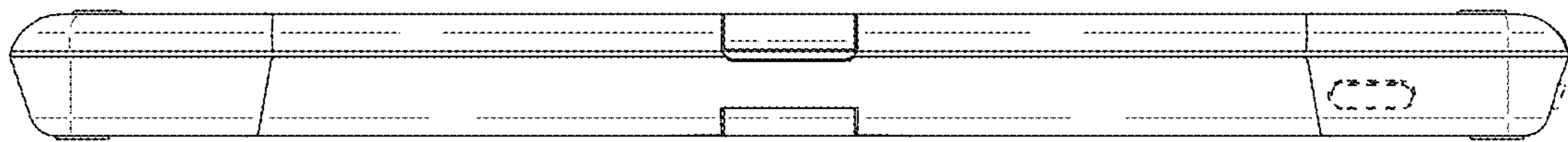


FIG. 7

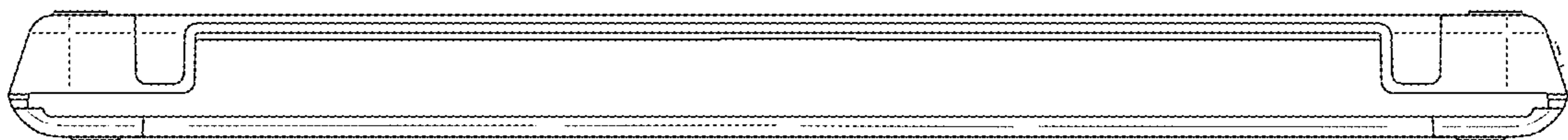


FIG. 8