



US00D772880S

(12) **United States Design Patent**
Corcoran et al.

(10) **Patent No.: US D772,880 S**

(45) **Date of Patent: ** Nov. 29, 2016**

(54) **PROTECTIVE CASE AND SUPPORT FOR A MOBILE DISPLAY DEVICE**

(71) Applicant: **Logitech Europe S.A.**, Lausanne (CH)

(72) Inventors: **Fergal Corcoran**, County Cork (IE);
Padraig Murphy, County Monogham (IE); **Ken Delaney**, County Cork (IE)

(73) Assignee: **Logitech Europe S.A.**, Lausanne (CH)

(**) Term: **14 Years**

(21) Appl. No.: **29/513,790**

(22) Filed: **Jan. 5, 2015**

(51) **LOC (10) Cl. 14-02**

(52) **U.S. Cl.**
USPC **D14/440**

(58) **Field of Classification Search**
USPC D14/440, 439, 432, 203.4, 203.8, 341;
D3/218, 215, 201, 294, 289, 900
CPC .. G06F 1/1601; G06F 1/1626; G06F 1/1633;
G06F 1/1675; G06F 1/167; G02F 1/1306;
G02F 1/133308; G02F 1/153; G02F
2001/133317; H04M 1/185; H04M 1/0252;
H04B 1/3888

See application file for complete search history.

(56) **References Cited**

U.S. PATENT DOCUMENTS

D230,376 S *	2/1974	Andrew	D19/91
8,312,991 B2 *	11/2012	Diebel	A45C 11/00 206/305
D672,353 S *	12/2012	Liu	D14/440
D672,781 S *	12/2012	Lu	D14/440
D675,625 S *	2/2013	Hasbrook	D14/440
D678,260 S *	3/2013	Bau	D14/132
D679,279 S *	4/2013	Yang	D14/440
8,424,830 B2 *	4/2013	Yang	A47B 23/044 248/459
D687,438 S *	8/2013	Lu	D14/440
D690,305 S *	9/2013	Wen	D14/440
D690,702 S *	10/2013	Chung	D14/440
D692,434 S *	10/2013	Kim	D14/440

D693,823 S *	11/2013	Chen	D14/440
D695,296 S *	12/2013	Hsu	D14/440
D696,256 S *	12/2013	Piedra	D14/440
D696,669 S *	12/2013	Akana	D14/440
D702,673 S *	4/2014	Murchison	D14/250
D704,689 S *	5/2014	Chang	D14/250
D706,783 S *	6/2014	Almodova	D14/440
D707,229 S *	6/2014	Almodova	D14/440
8,757,375 B2 *	6/2014	Huang	A47B 23/043 206/320
D708,838 S *	7/2014	Lee	D14/440
8,763,795 B1 *	7/2014	Oten	A45C 11/00 206/320
8,766,921 B2 *	7/2014	Ballagas	G06F 1/1626 345/168

(Continued)

Primary Examiner — Cynthia Underwood

(74) *Attorney, Agent, or Firm* — Kilpatrick Townsend & Stockton LLP

(57) **CLAIM**

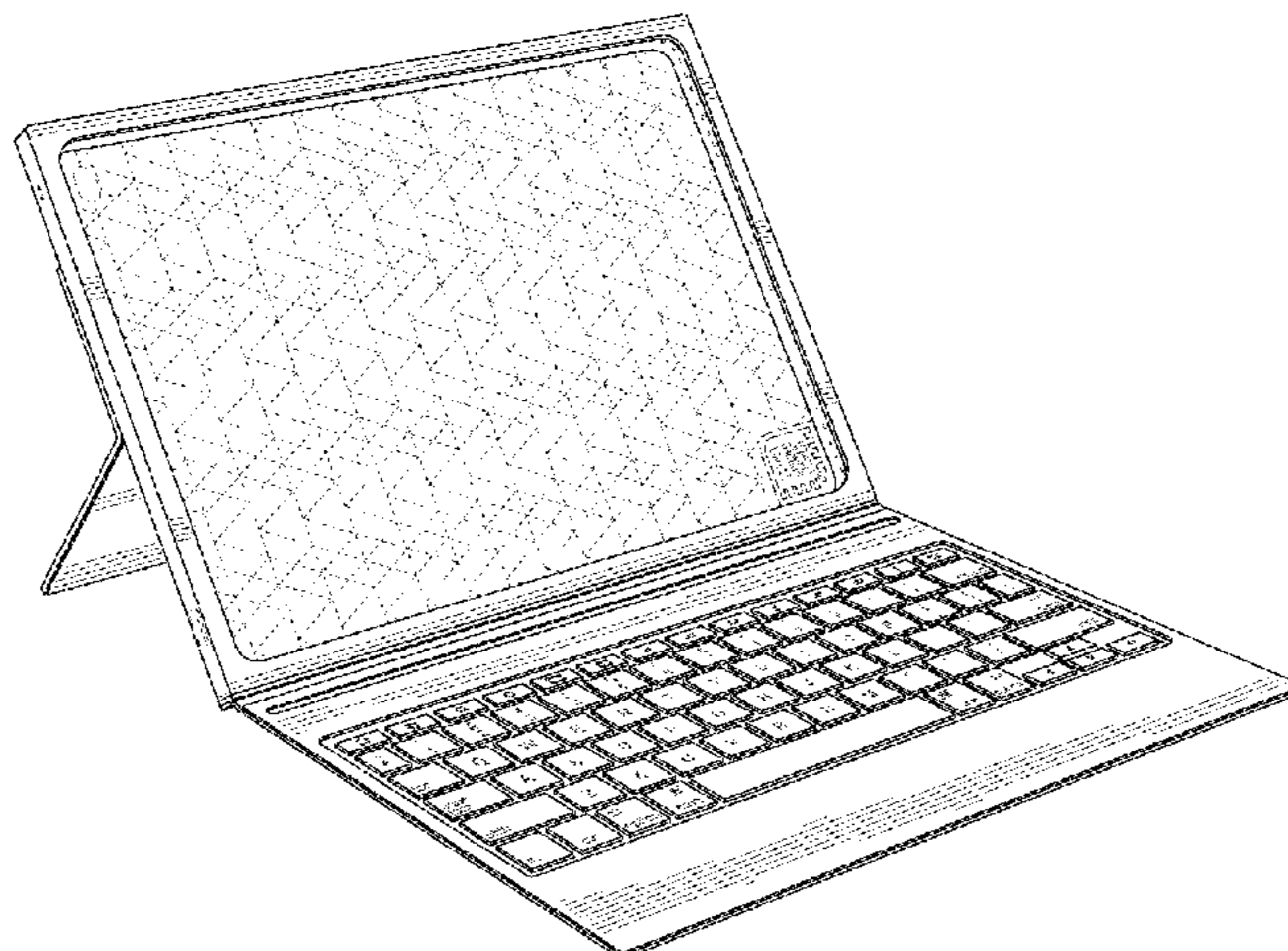
The ornamental design for a protective case and support for a mobile display device, as shown and described.

DESCRIPTION

FIG. 1 is a front perspective view of our protective case and support for a mobile display device showing our new design in an open configuration;
 FIG. 2 is a second front perspective view thereof shown disconnected from an input device;
 FIG. 3 is a third front perspective thereof shown connected to an input device;
 FIG. 4 is a fourth back perspective view thereof;
 FIG. 5 is a fifth front perspective view thereof shown in a closed configuration;
 FIG. 6 is a sixth front perspective view thereof shown in a closed configuration; and,
 FIG. 7 is an seventh perspective view thereof shown in a closed configuration.

The broken lines in the drawings depict environmental subject matter or parts of protective case and support for a mobile display device that form no part of the claimed design.

1 Claim, 7 Drawing Sheets



(56)

References Cited

U.S. PATENT DOCUMENTS

8,783,458 B2 *	7/2014	Gallagher	F16M 11/105	206/320	2011/0266194 A1 *	11/2011	Bau	A45C 11/00	206/736
8,797,132 B2 *	8/2014	Childs	A45C 11/00	206/320	2011/0290687 A1 *	12/2011	Han	A45C 3/02	206/320
D729,253 S *	5/2015	Nyholm	D14/440		2012/0211377 A1 *	8/2012	Sajid	G06F 1/1628	206/216
D730,913 S *	6/2015	Shao	D14/440		2012/0211613 A1 *	8/2012	Yang	A45C 11/00	248/174
D733,150 S *	6/2015	Sirichai	D14/440		2012/0305413 A1 *	12/2012	Chung	A45C 11/00	206/45.23
D733,152 S *	6/2015	Sirichai	D14/440		2012/0308981 A1 *	12/2012	Libin	G09B 3/00	434/362
D734,340 S *	7/2015	Kim	D14/440		2013/0213838 A1 *	8/2013	Tsai	G06F 1/1633	206/320
2003/0034263 A1 *	2/2003	D'Hoste	A45C 9/00	206/320	2013/0214661 A1 *	8/2013	McBroom	G06F 1/1667	312/325
2008/0302687 A1 *	12/2008	Sirichai	A45F 5/02	206/320						
2009/0159763 A1 *	6/2009	Kim	F16M 13/00	248/174						

* cited by examiner

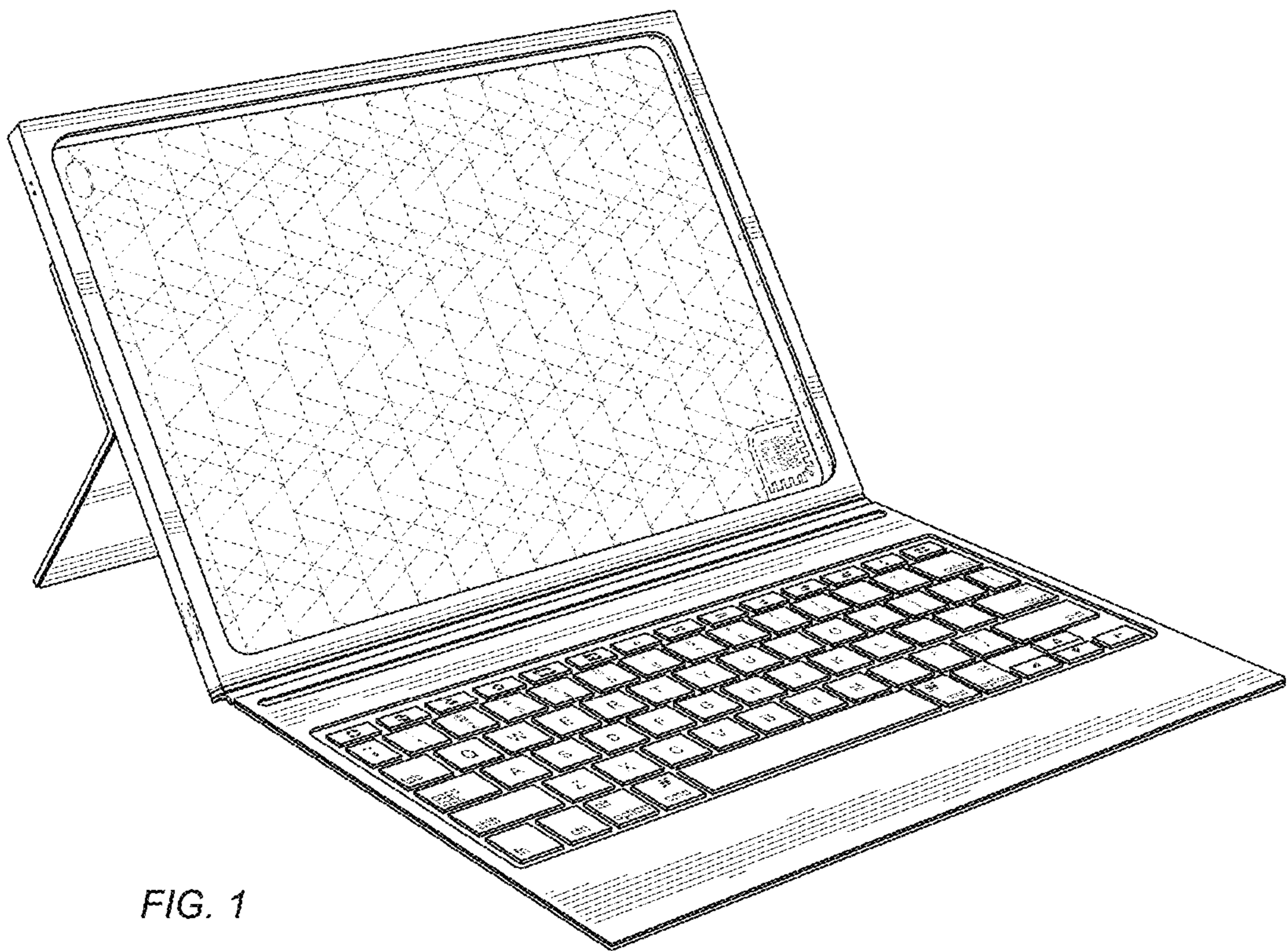


FIG. 1

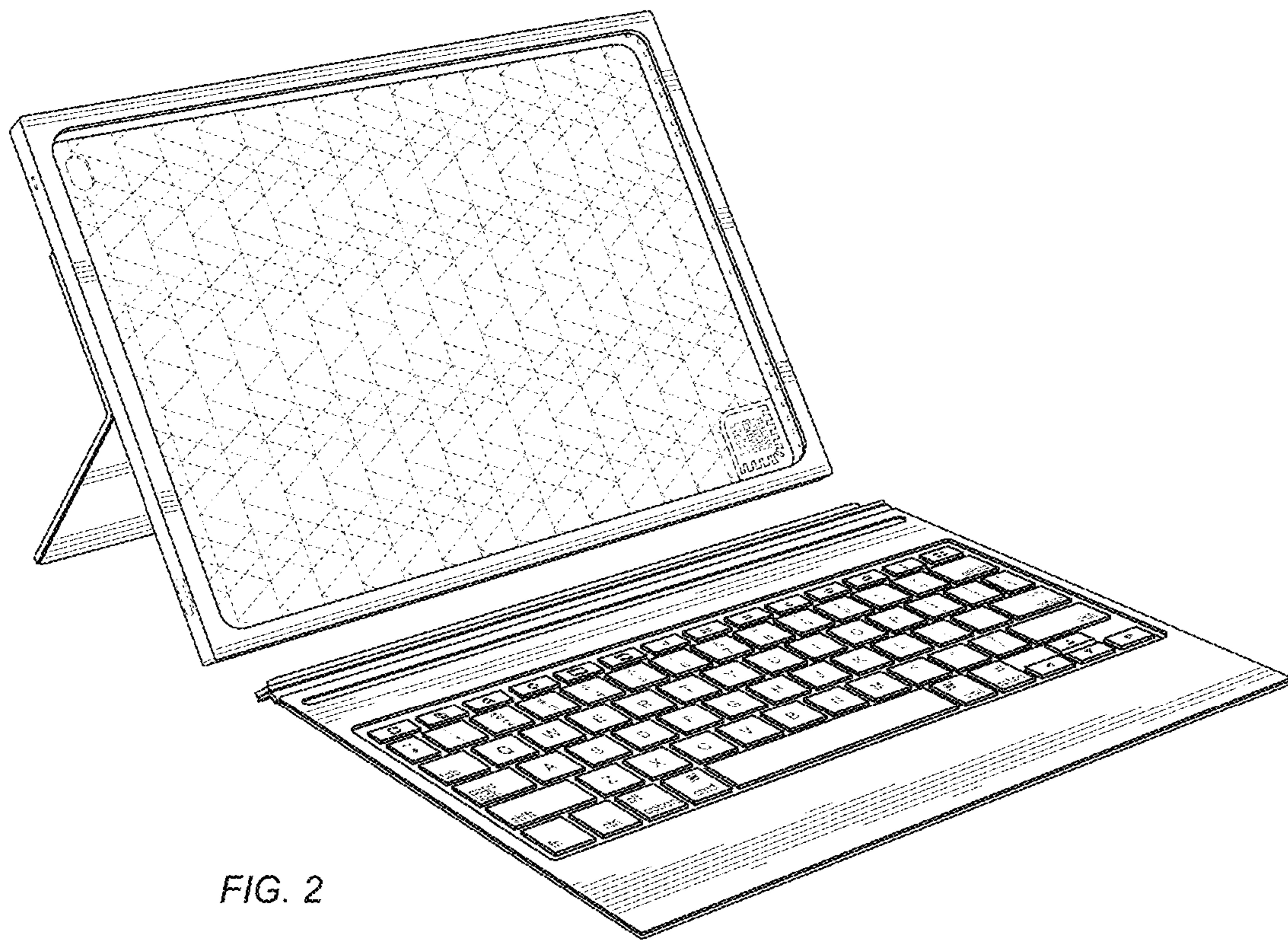


FIG. 2

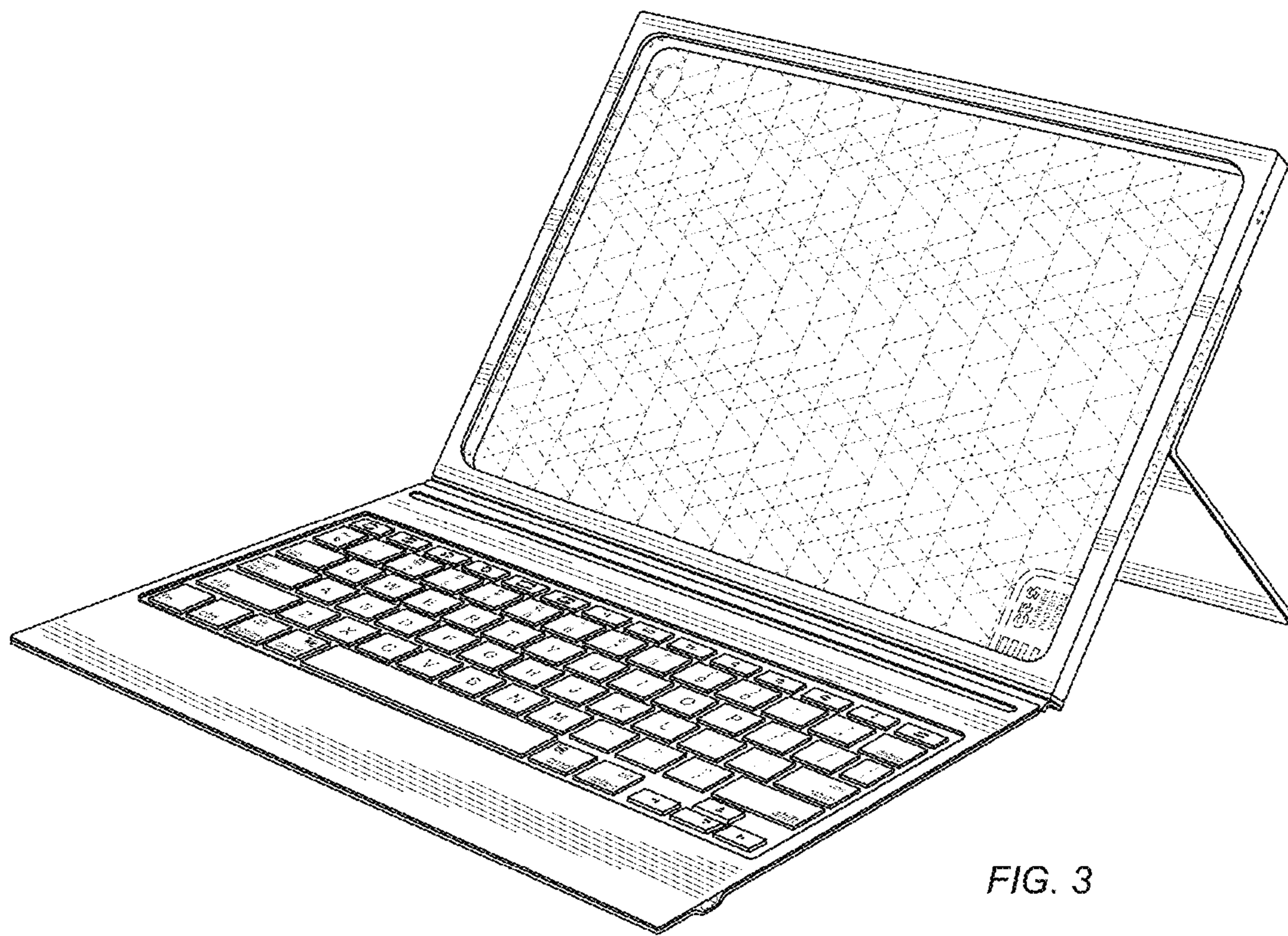


FIG. 3

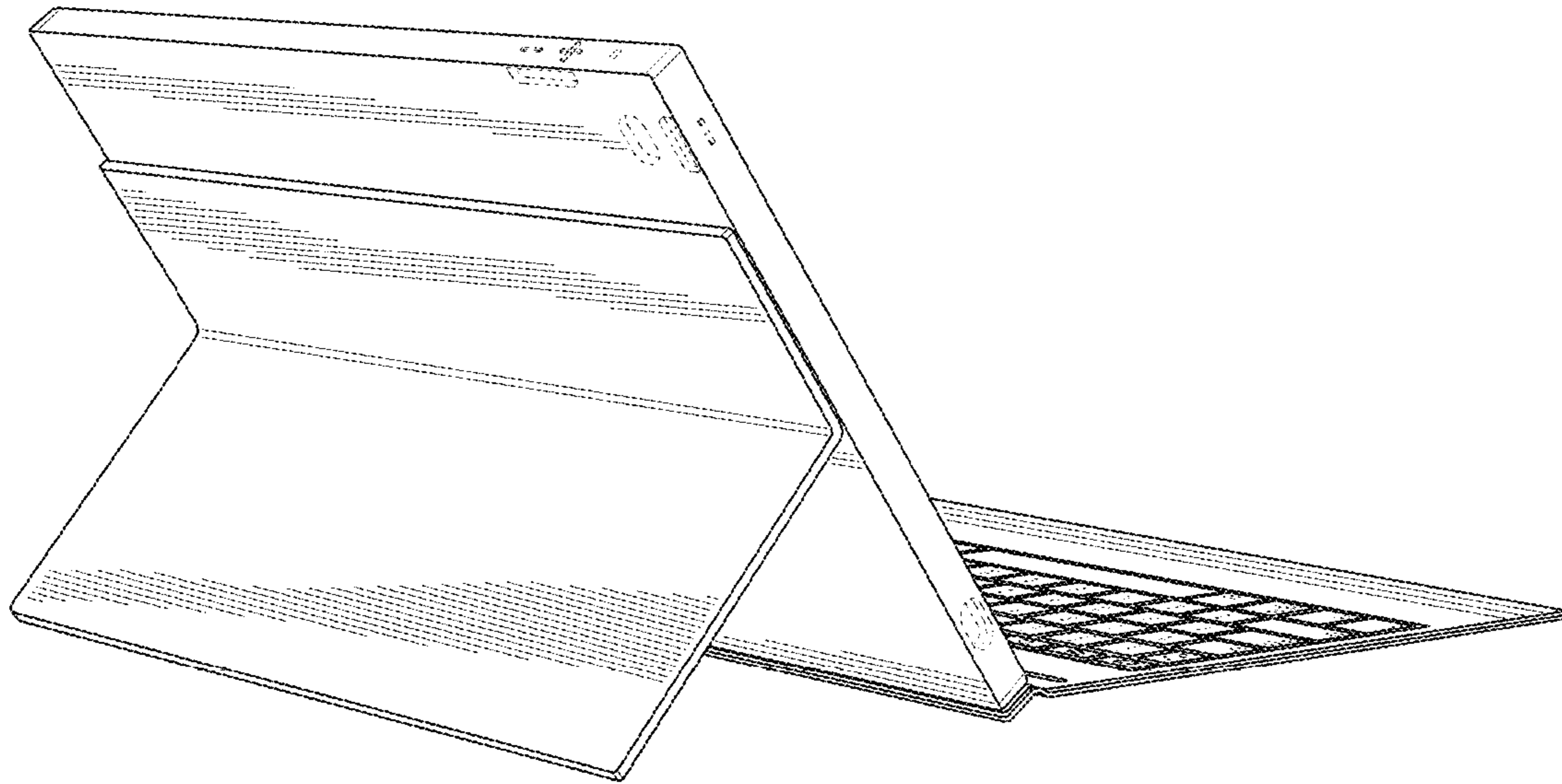


FIG. 4

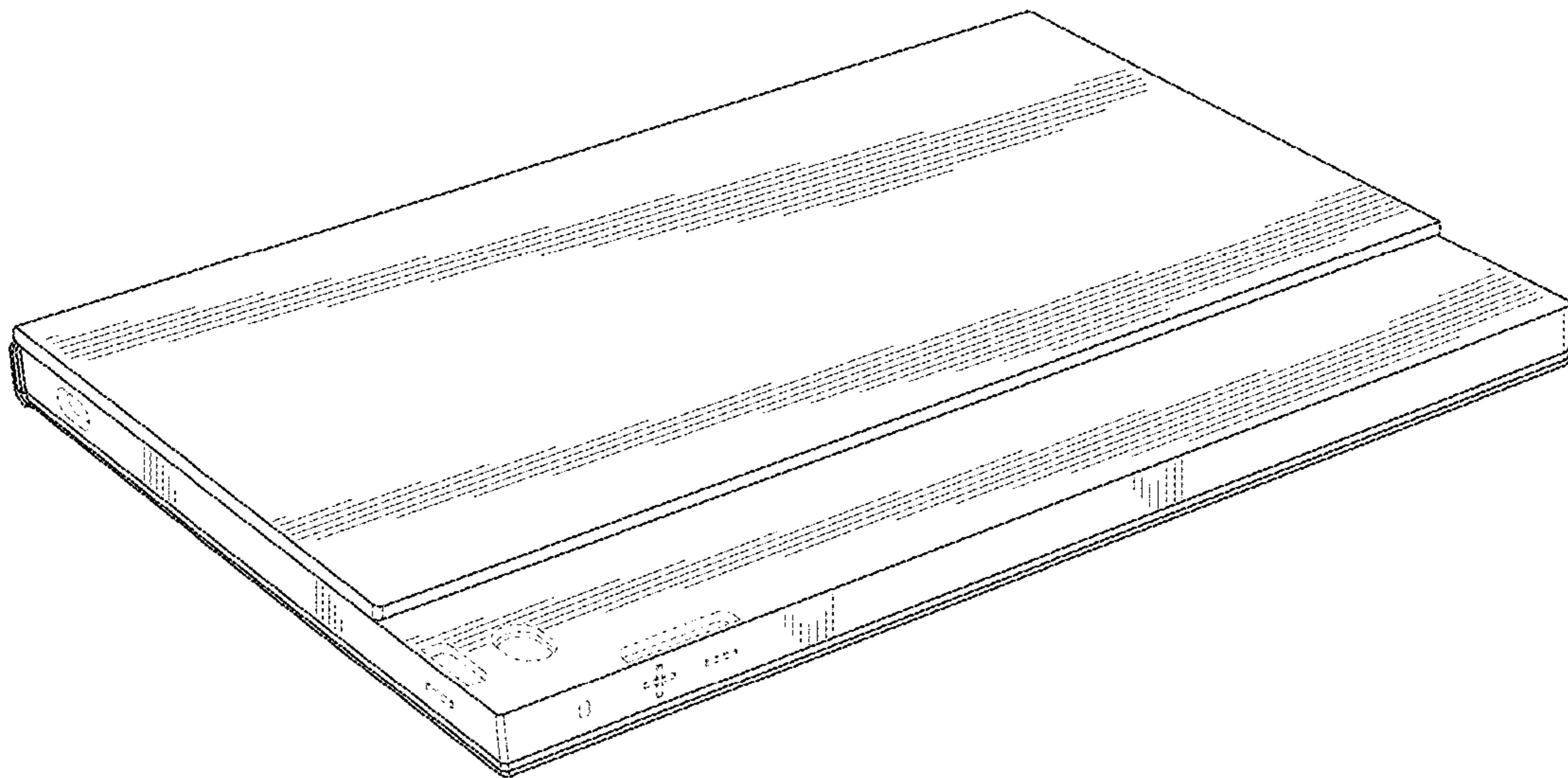


FIG. 5

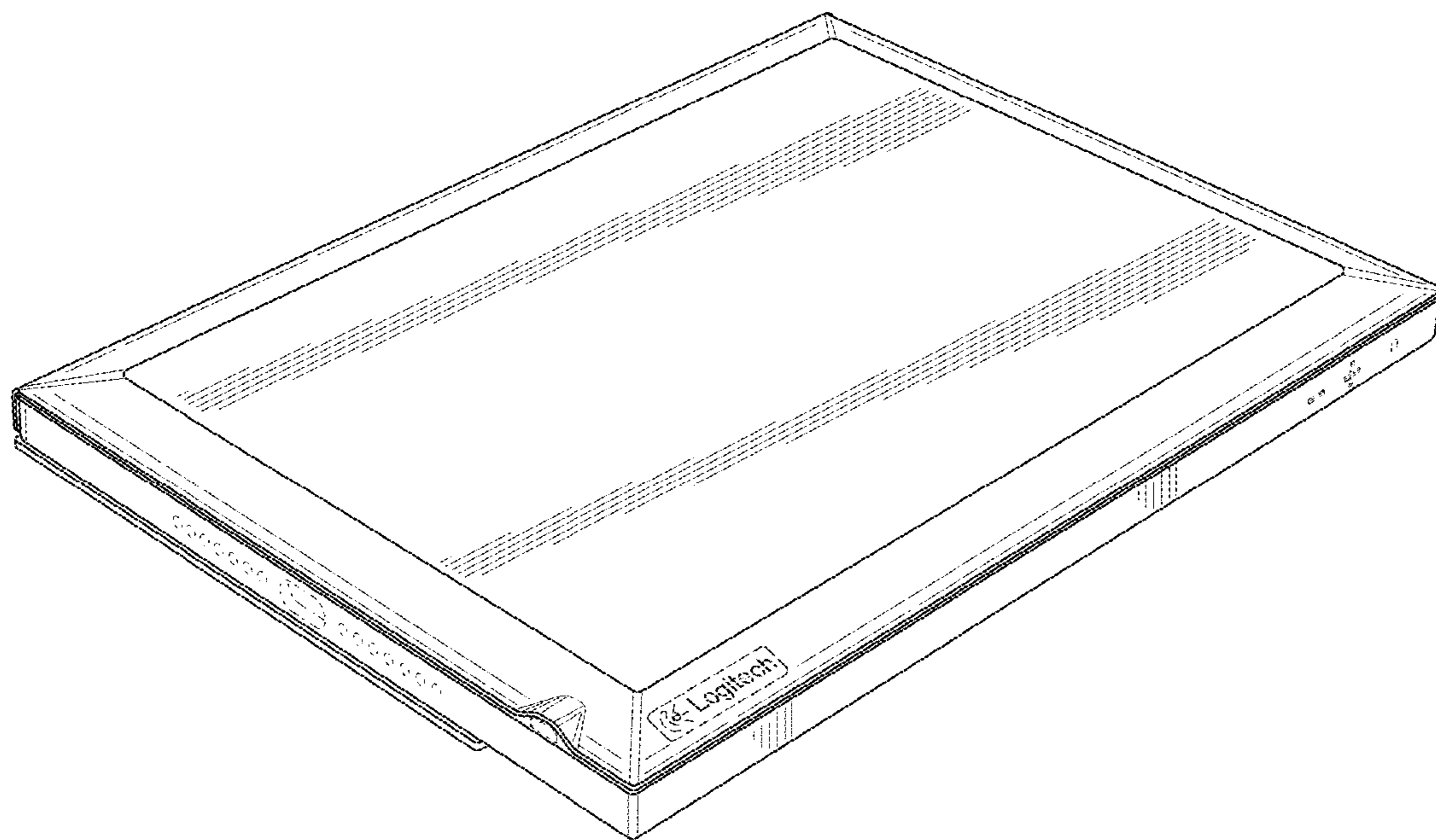


FIG. 6

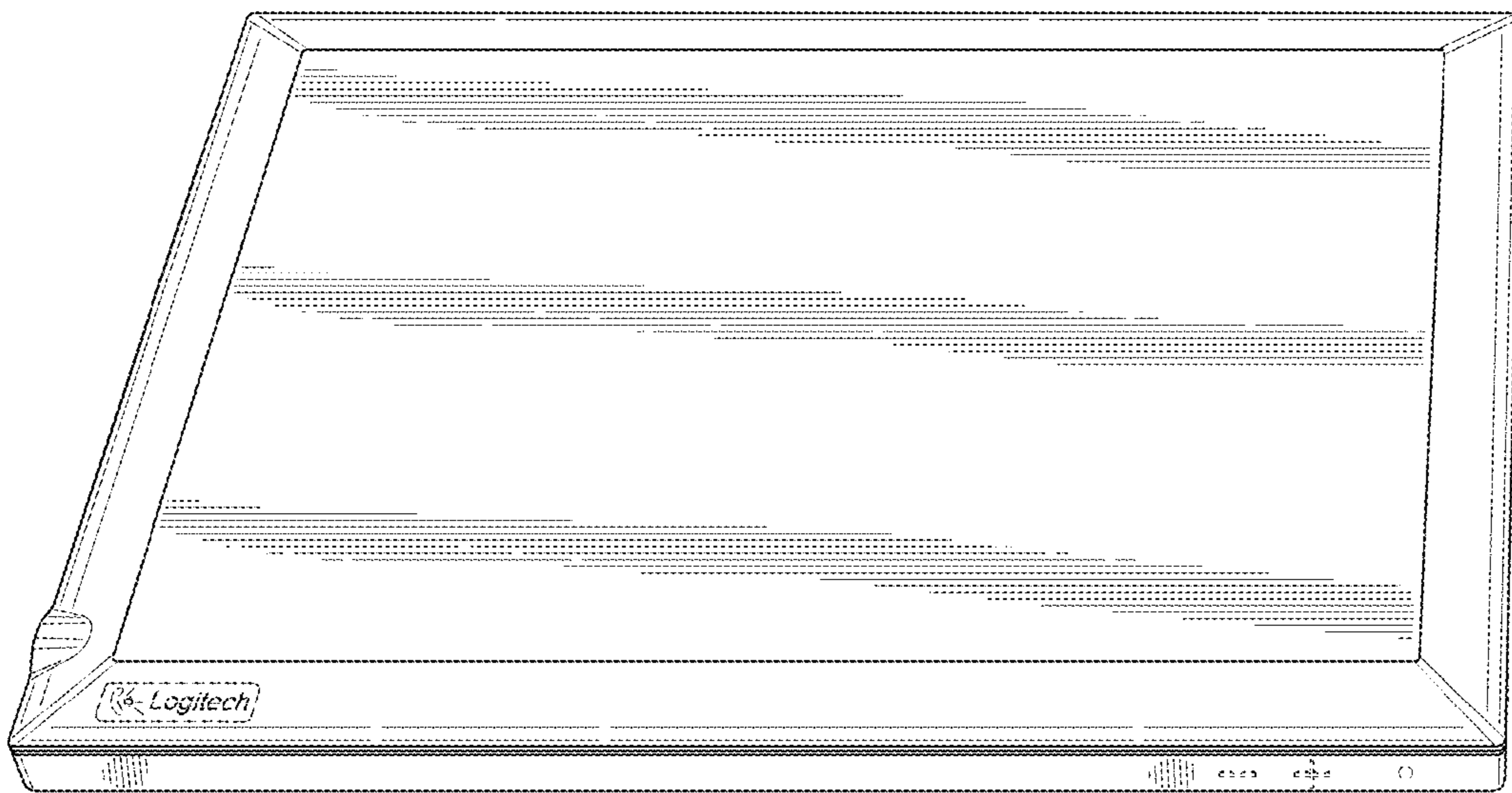


FIG. 7