



US00D772879S

(12) **United States Design Patent**
Eliyahu

(10) **Patent No.:** **US D772,879 S**

(45) **Date of Patent:** **** Nov. 29, 2016**

(54) **USB ROTATABLE HUB**

(71) Applicant: **Nexark, Inc.**, Los Angeles, CA (US)

(72) Inventor: **Menachem Eliyahu**, Los Angeles, CA (US)

(73) Assignee: **NEXARK, INC.**, Los Angeles, CA (US)

(**) Term: **15 Years**

(21) Appl. No.: **29/536,425**

(22) Filed: **Aug. 17, 2015**

(51) **LOC (10) Cl.** **14-02**

(52) **U.S. Cl.**
USPC **D14/433**

(58) **Field of Classification Search**
USPC D14/356, 432-434, 453, 454, 511,
D14/203.8, 209.1, 238.1, 240, 125;
439/638, 928, 105, 502; 710/303, 304;
361/679.41, 679.55, 679.56; D13/110,
D13/133, 146
CPC H01R 24/64; H01R 24/62; H01R 12/714;
H01R 13/506; H01R 13/6658
See application file for complete search history.

(56) **References Cited**

U.S. PATENT DOCUMENTS

D537,036 S * 2/2007 Chen D14/433
D575,785 S * 8/2008 Chang D14/432

D627,784 S * 11/2010 Yamamoto D14/433
D680,539 S * 4/2013 Kim D14/433
D709,892 S * 7/2014 Lui D14/433
D714,293 S * 9/2014 Kelly D14/433
D727,907 S * 4/2015 Higashi D14/433
D740,291 S * 10/2015 Turksu D14/433
D746,291 S * 12/2015 Solomon D14/433

* cited by examiner

Primary Examiner — Austin Murphy

(74) *Attorney, Agent, or Firm* — Leason Ellis LLP

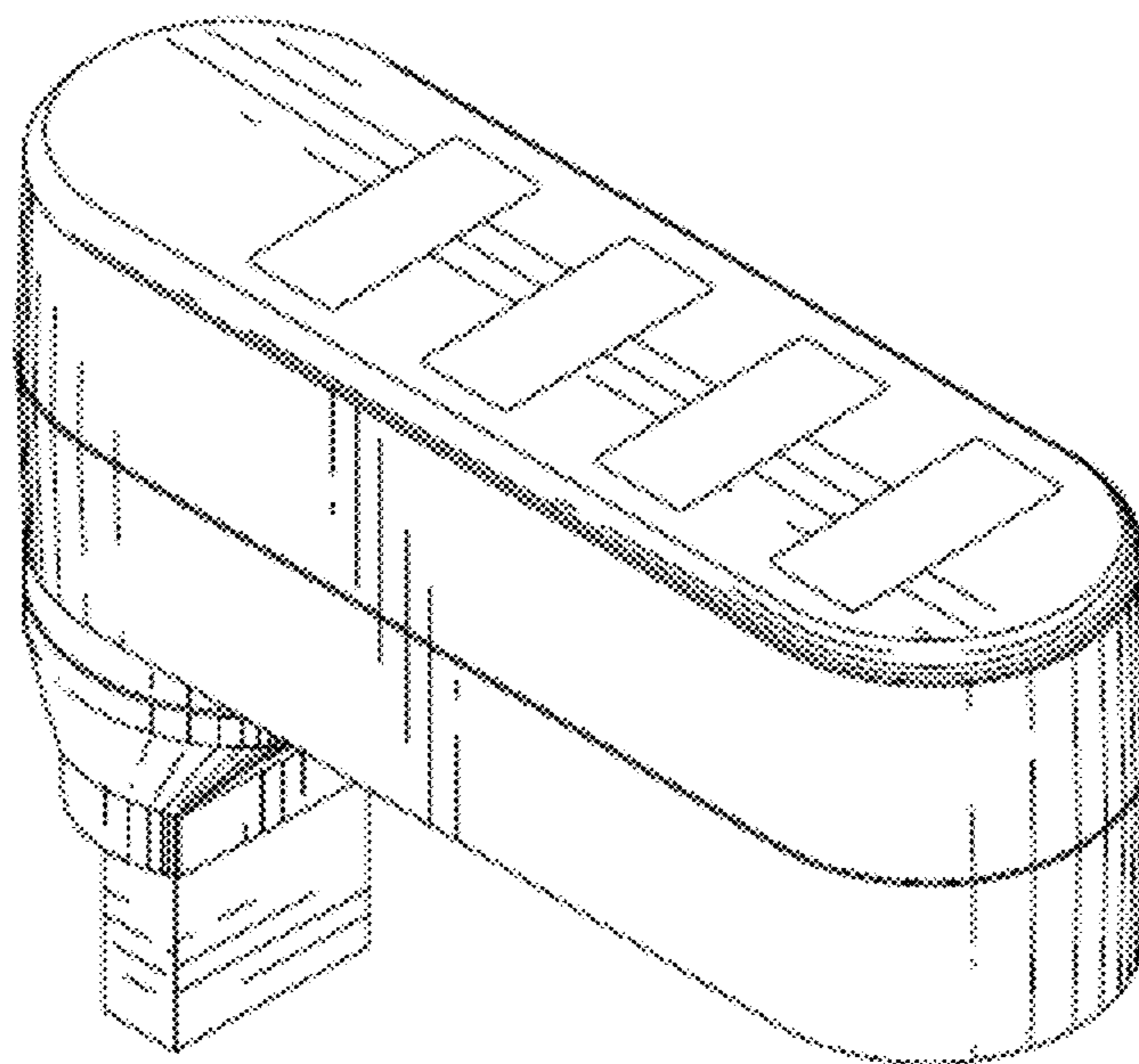
(57) **CLAIM**

I claim the ornamental design of a USB rotatable hub, as shown.

DESCRIPTION

FIG. 1 a top, front right-side perspective of my new design for a USB rotatable hub,
FIG. 2 a front elevation thereof,
FIG. 3 a rear elevation thereof,
FIG. 4 a right-side elevation thereof,
FIG. 5 a left-side elevation thereof,
FIG. 6 a top plan view thereof; and,
FIG. 7 a bottom plan view thereof.

1 Claim, 3 Drawing Sheets



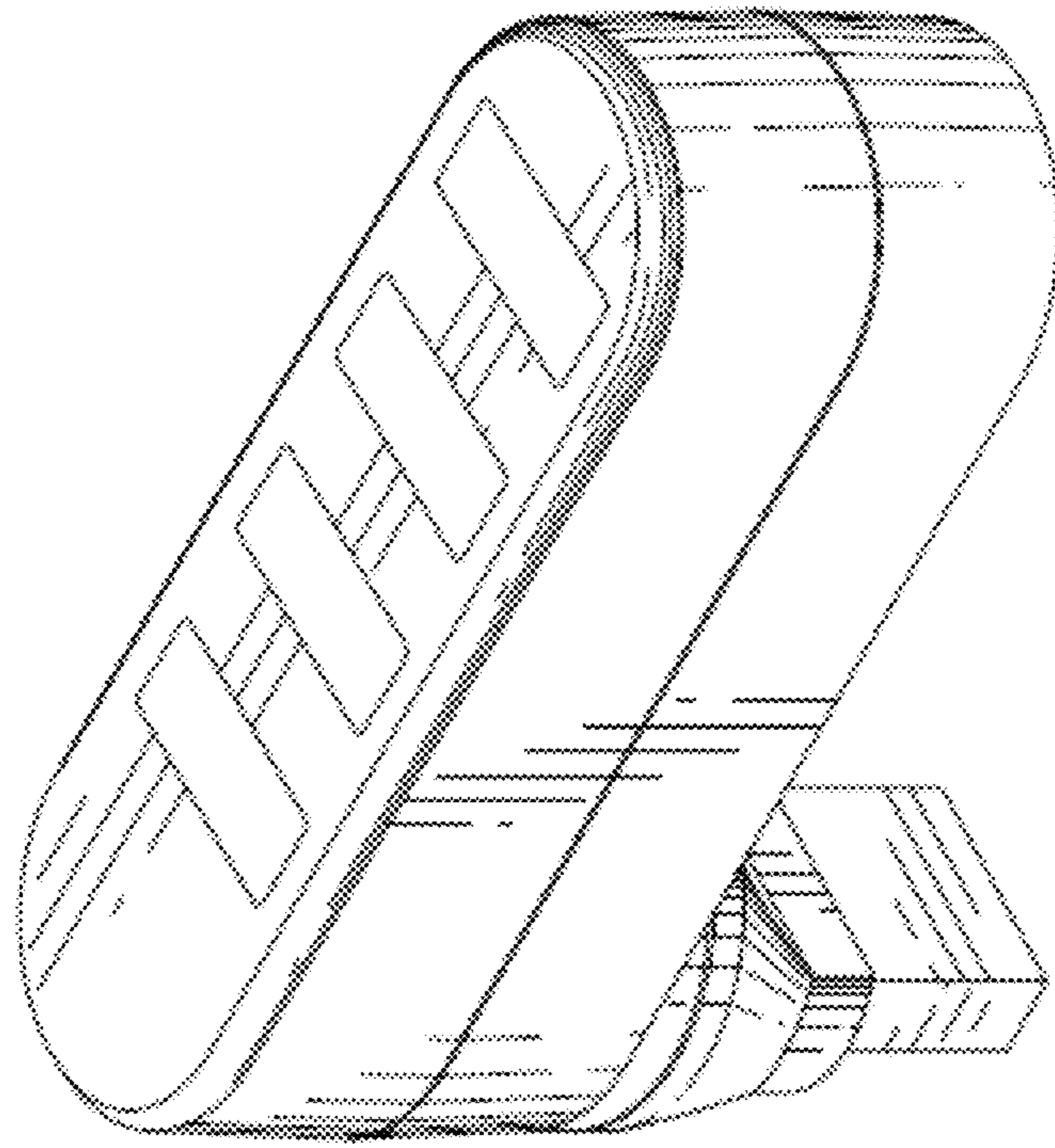


Fig. 1

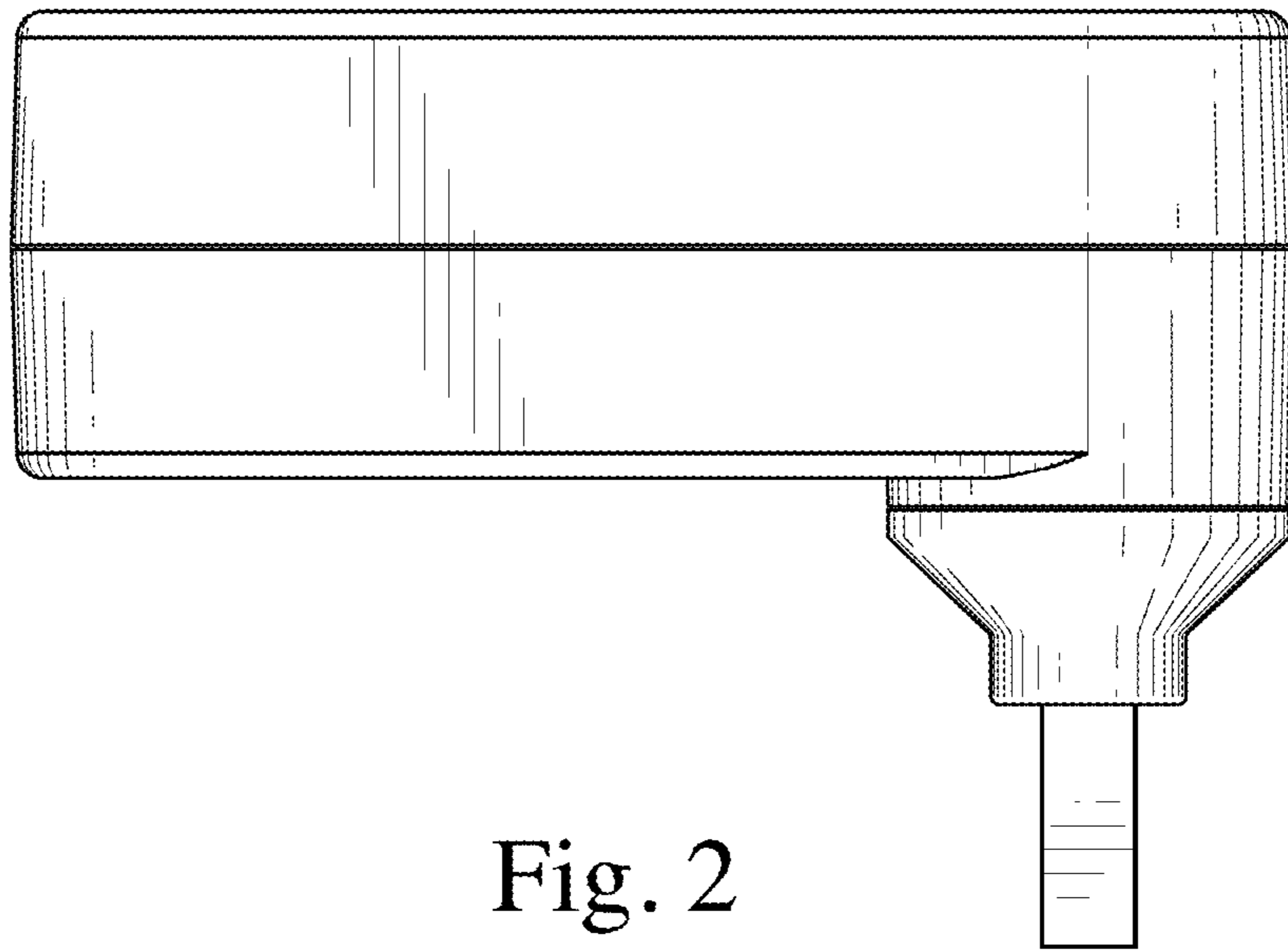


Fig. 2

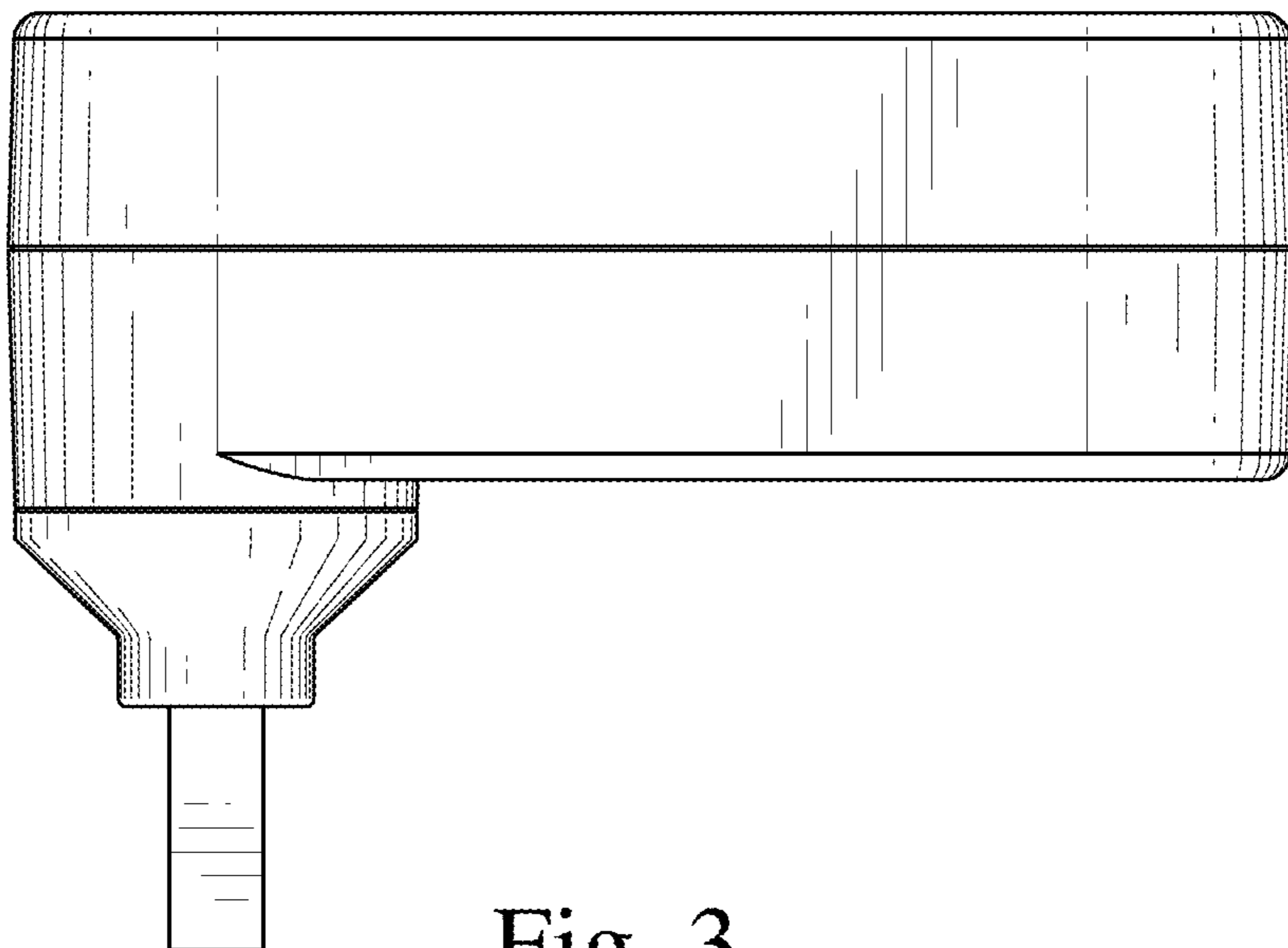


Fig. 3

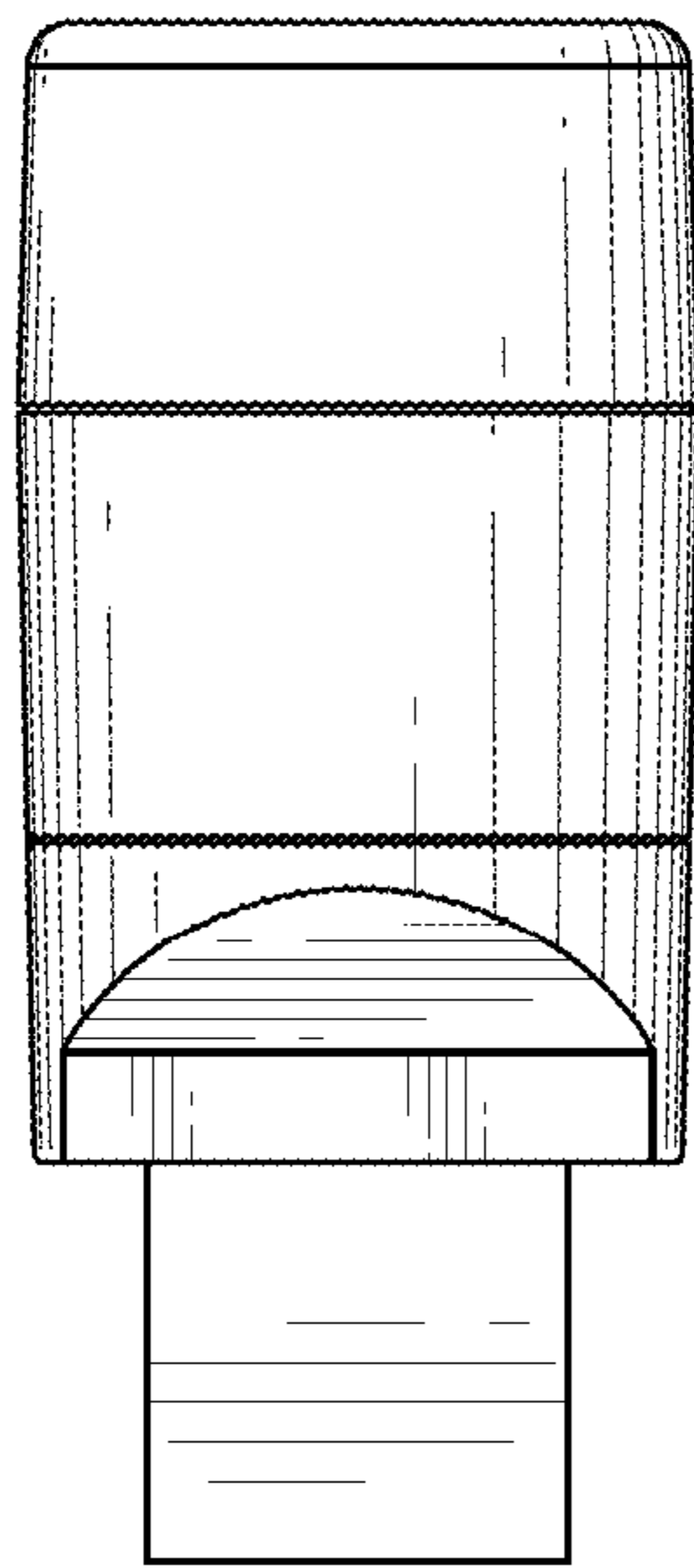


Fig. 4

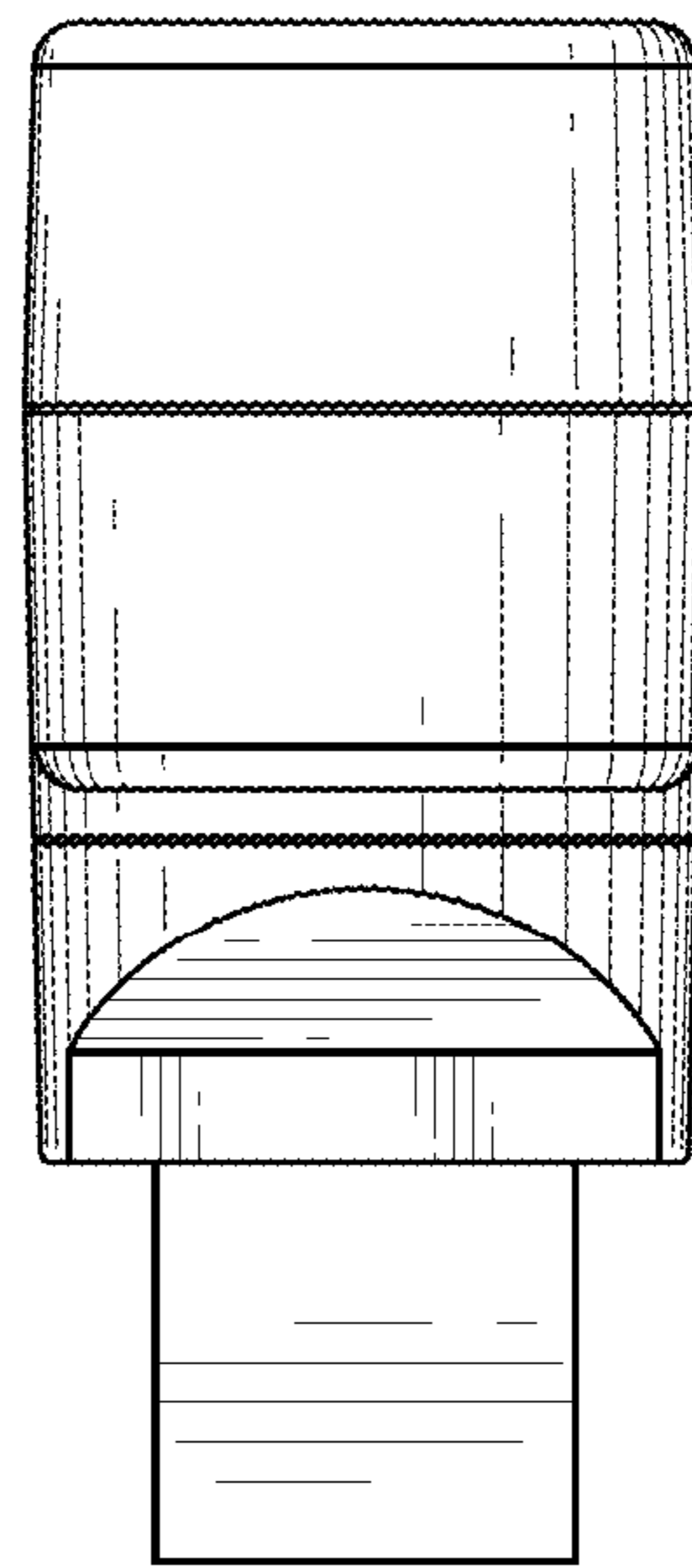


Fig. 5

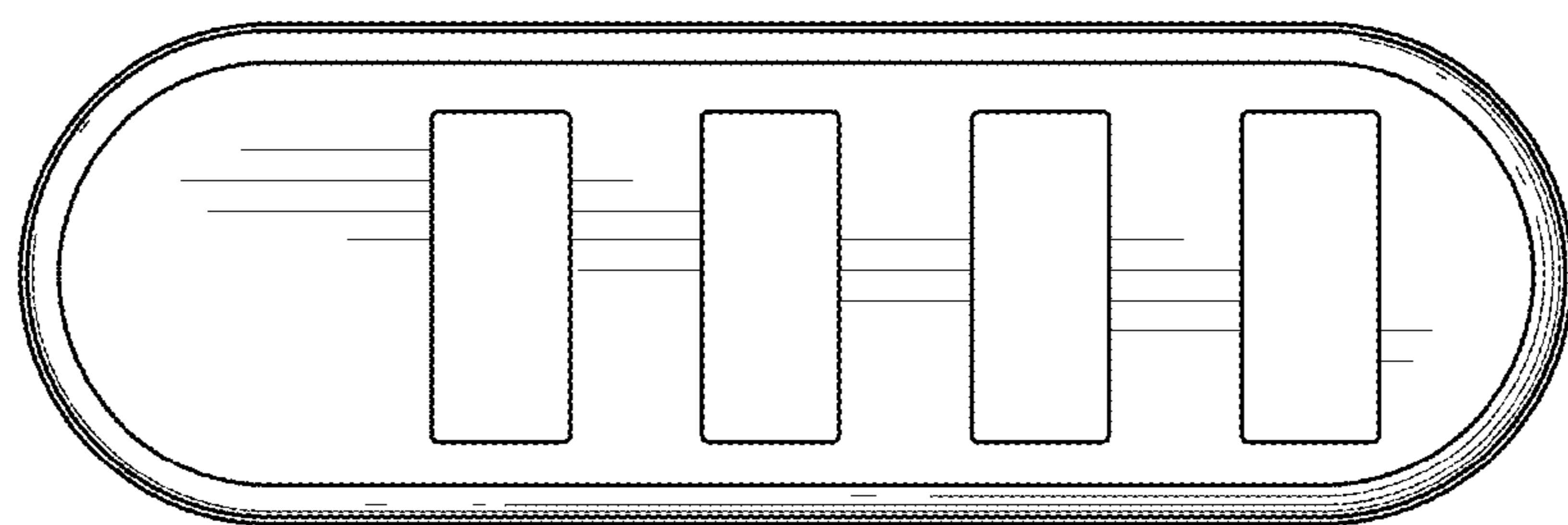


Fig. 6

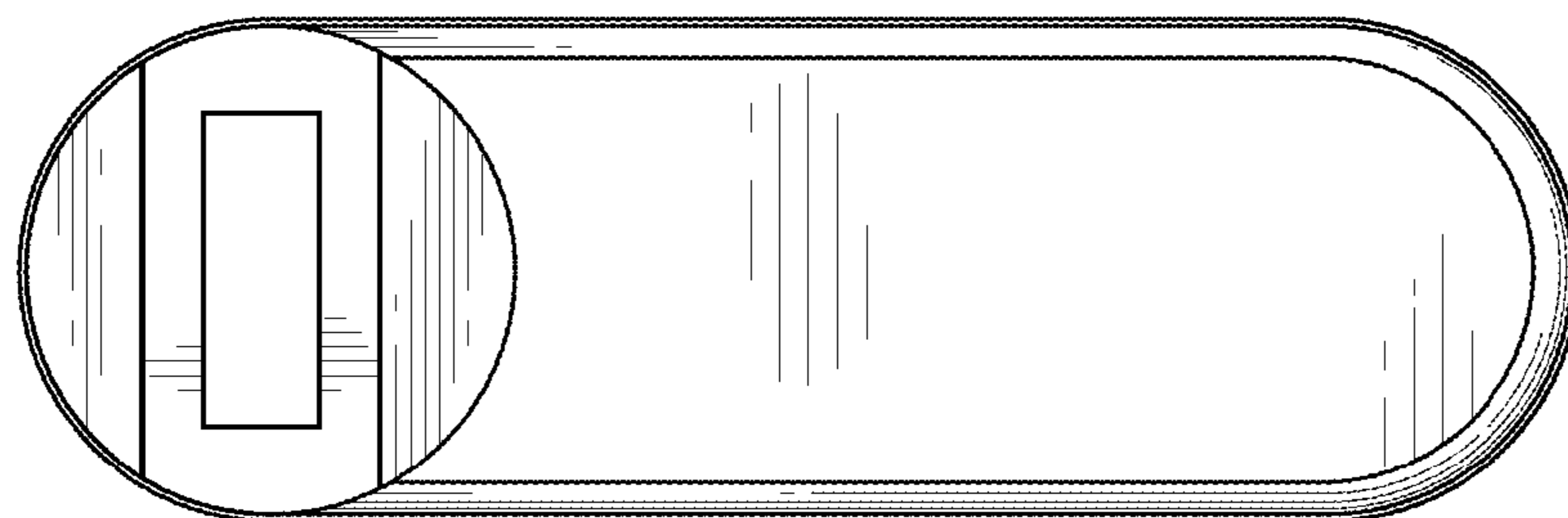


Fig. 7