



US00D772878S

(12) **United States Design Patent**
Chiang

(10) **Patent No.:** **US D772,878 S**

(45) **Date of Patent:** **** Nov. 29, 2016**

(54) **DONGLE**

(71) Applicant: **Getac Technology Corporation,**
Hsinchu County (TW)

(72) Inventor: **Cheng-Hung Chiang,** Taipei (TW)

(73) Assignee: **GETAC TECHNOLOGY CORPORATION,** Hsinchu County (TW)

(**) Term: **14 Years**

(21) Appl. No.: **29/516,306**

(22) Filed: **Jan. 30, 2015**

(51) **LOC (10) Cl.** **14-02**

(52) **U.S. Cl.**
USPC **D14/433**

(58) **Field of Classification Search**
USPC D14/356, 432-434, 453, 454, 511,
D14/203.8, 209.1, 238.1, 240, 125;
439/638, 928, 105, 502; 710/303, 304;
361/679.41, 679.55, 679.56; D13/110,
D13/133, 146

CPC .. G06Q 20/202; G06Q 20/322; G06Q 20/32;
G06Q 20/20; G06Q 20/327

See application file for complete search history.

(56) **References Cited**

U.S. PATENT DOCUMENTS

D483,372 S * 12/2003 Watanabe D13/133
D496,653 S * 9/2004 Townsend D14/240

D571,809 S * 6/2008 Liu D14/433
D576,166 S * 9/2008 Mori D14/433
D741,865 S * 10/2015 Sundermeyer D14/433
D745,523 S * 12/2015 Magi D14/433
D753,662 S * 4/2016 Arrington D14/433
D755,183 S * 5/2016 Patel D14/433
D759,017 S * 6/2016 Schwalbach D14/433

* cited by examiner

Primary Examiner — Austin Murphy

(74) *Attorney, Agent, or Firm* — Locke Lord LLP; Tim Tingkang Xia, Esq.

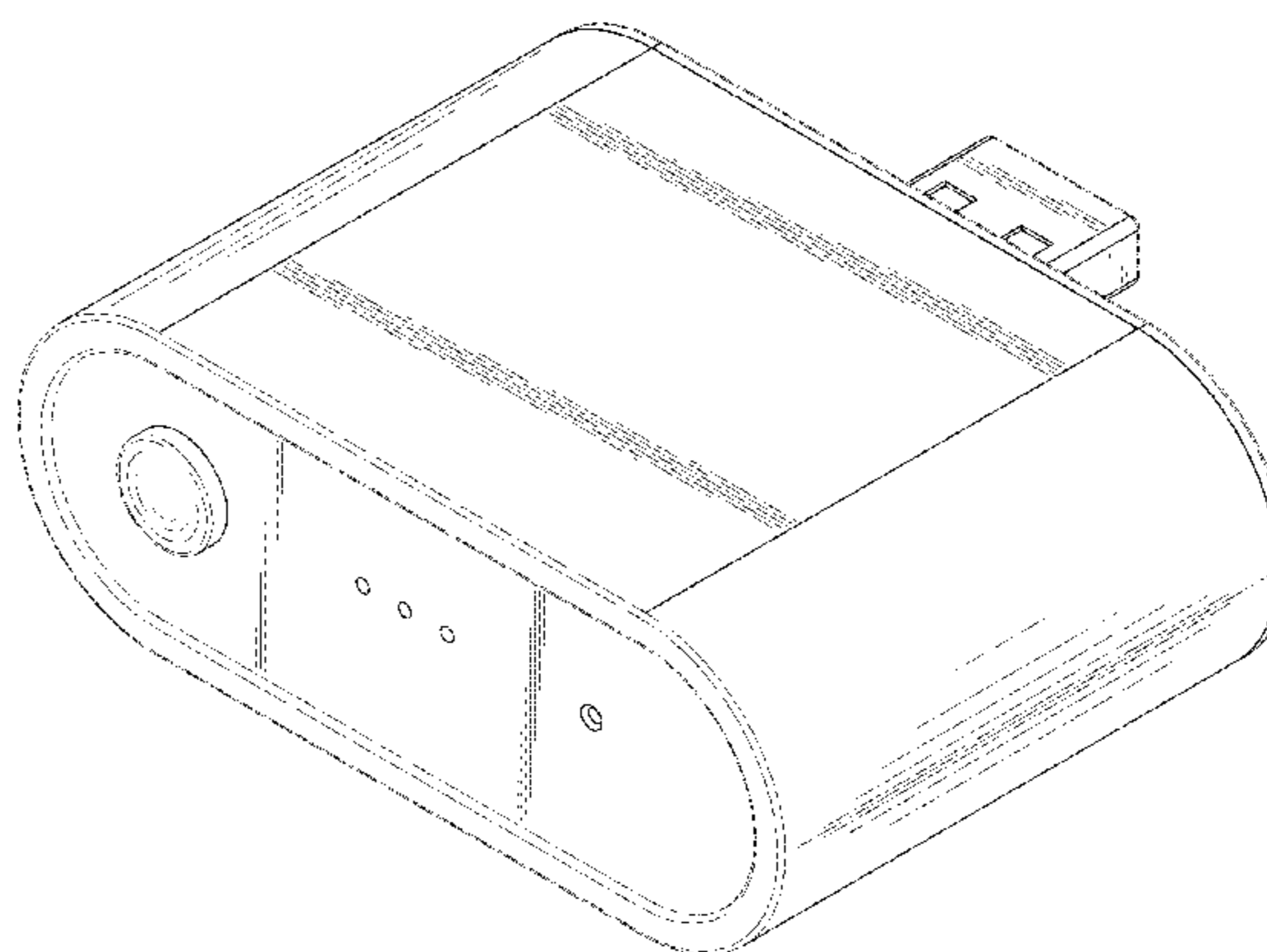
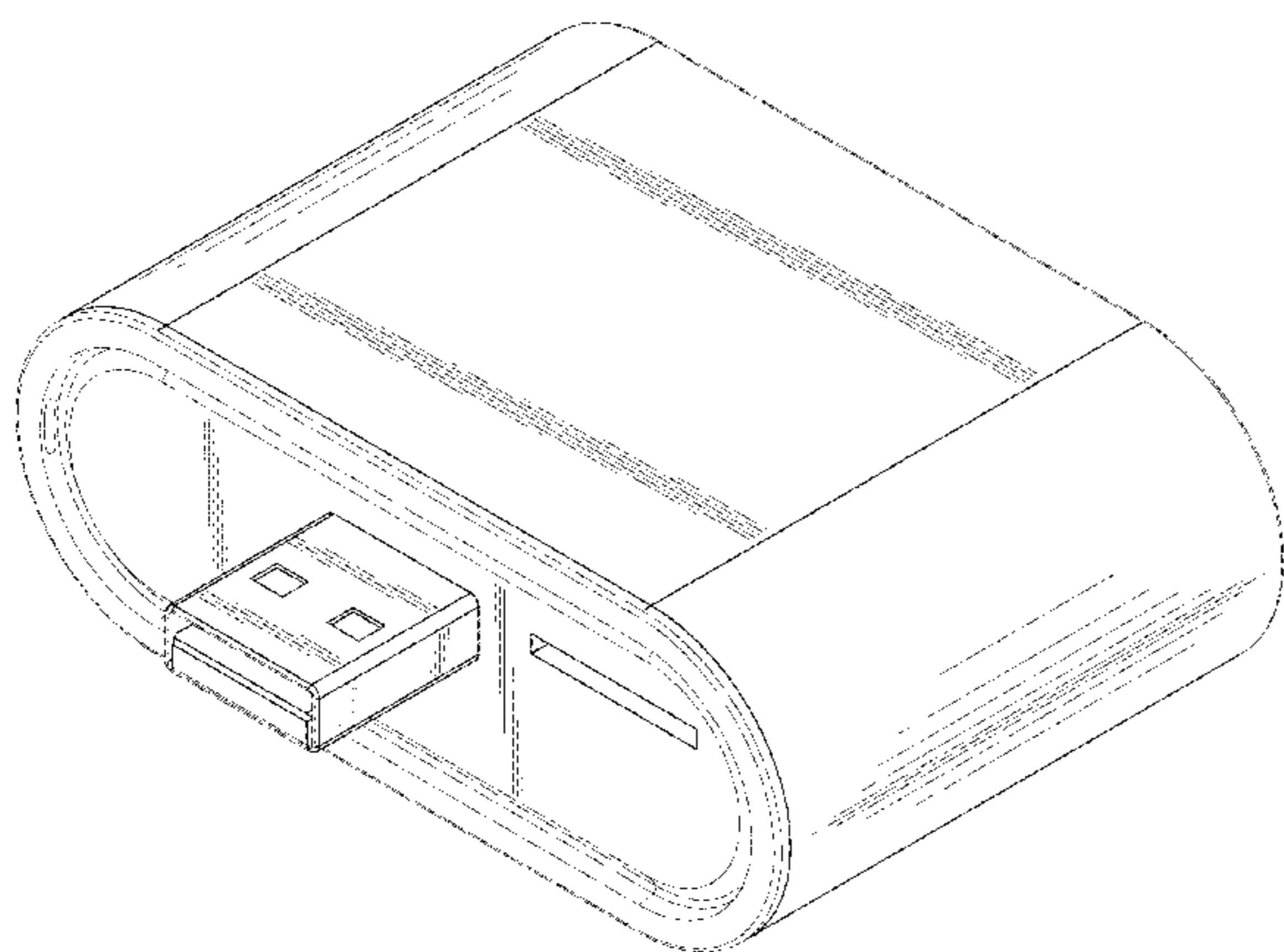
(57) **CLAIM**

The ornamental design for a dongle, as shown and described.

DESCRIPTION

FIG. 1 is a top front and right perspective view showing my new design;
FIG. 2 is a bottom front and left perspective view thereof;
FIG. 3 is a top rear and left perspective view thereof;
FIG. 4 is a front view thereof;
FIG. 5 is a rear view thereof;
FIG. 6 is a left side view thereof;
FIG. 7 is a right side view thereof;
FIG. 8 is a top view thereof; and,
FIG. 9 is a bottom view thereof.

1 Claim, 7 Drawing Sheets



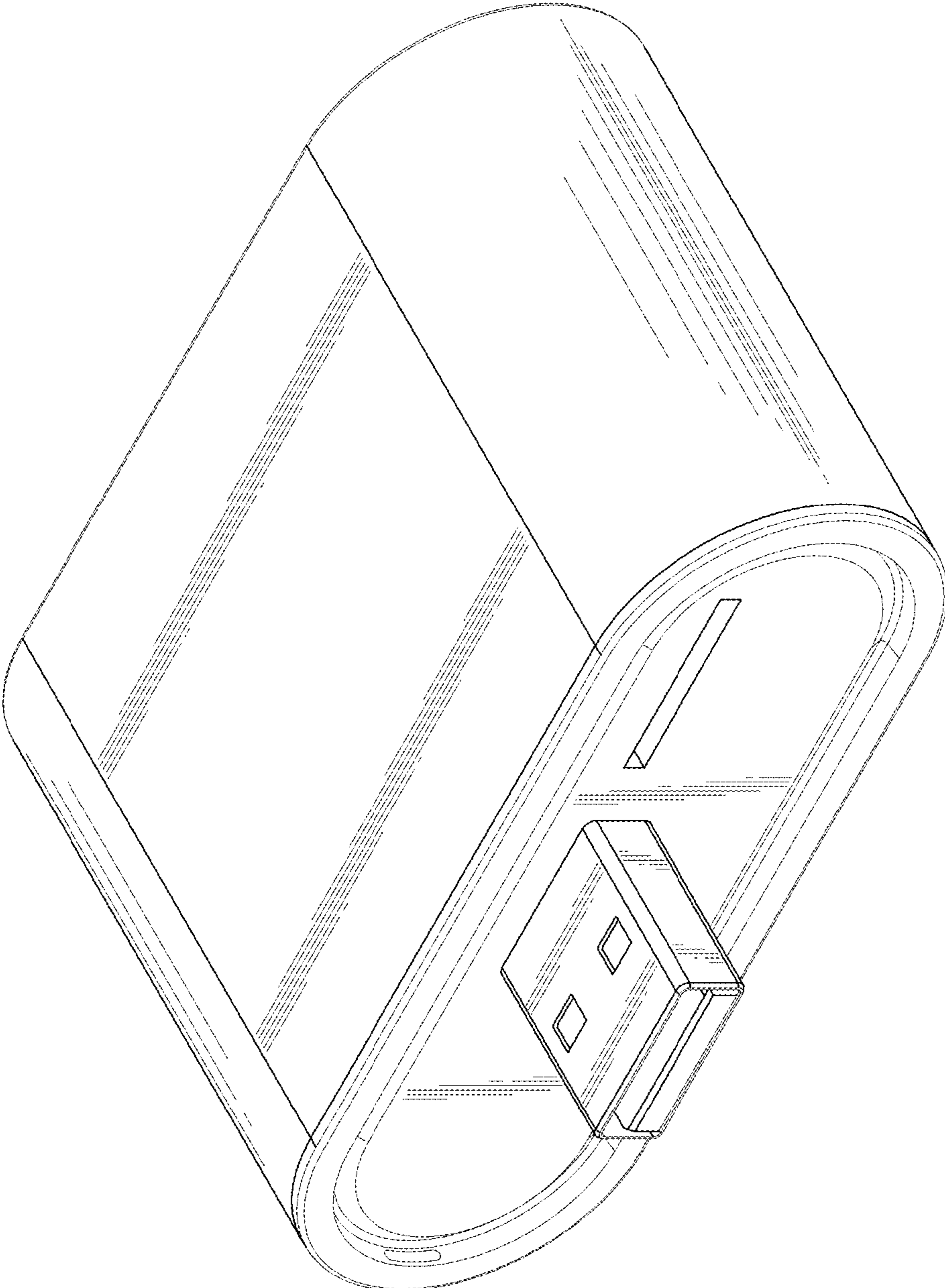


FIG. 1

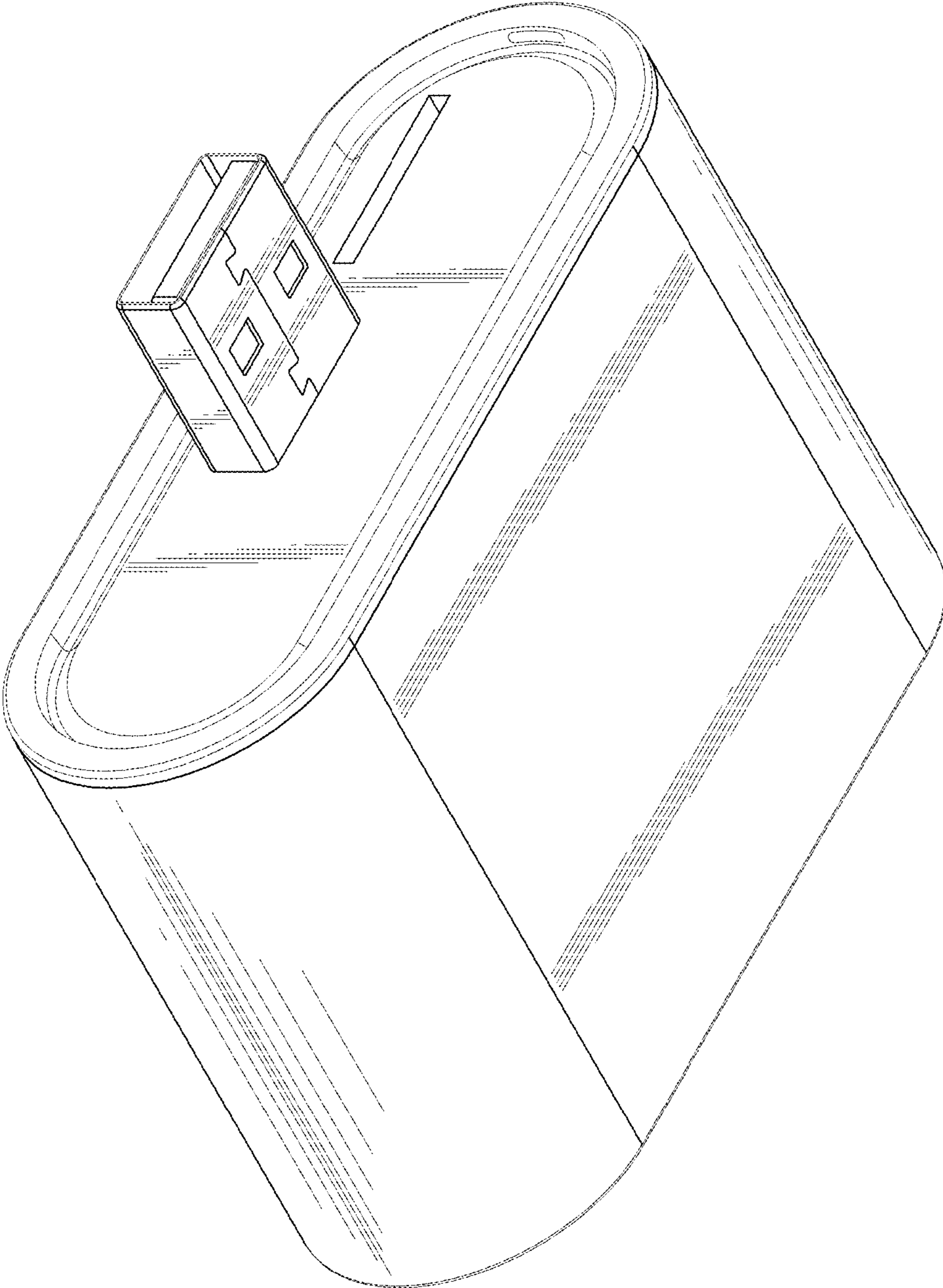


FIG.2

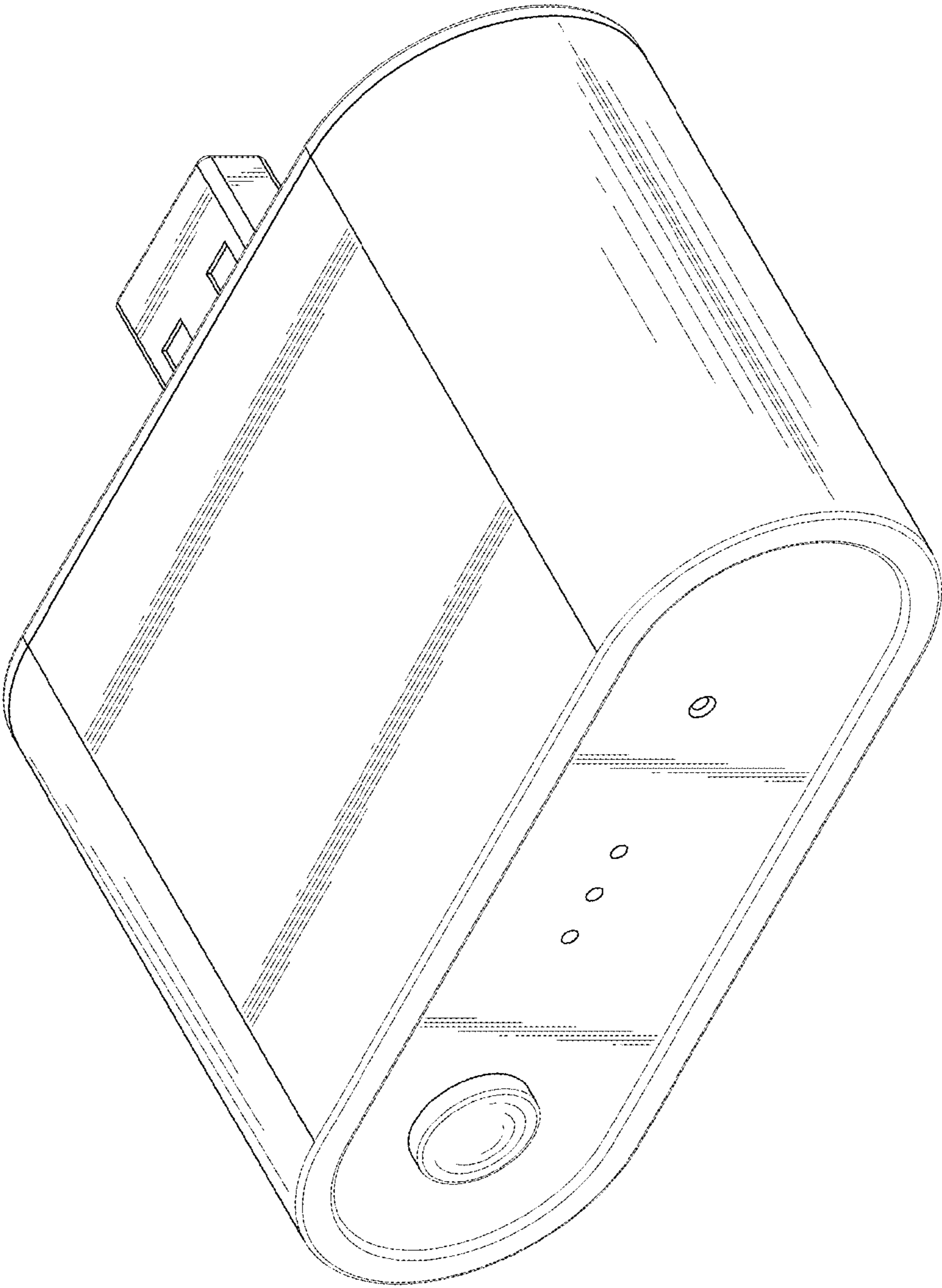


FIG.3

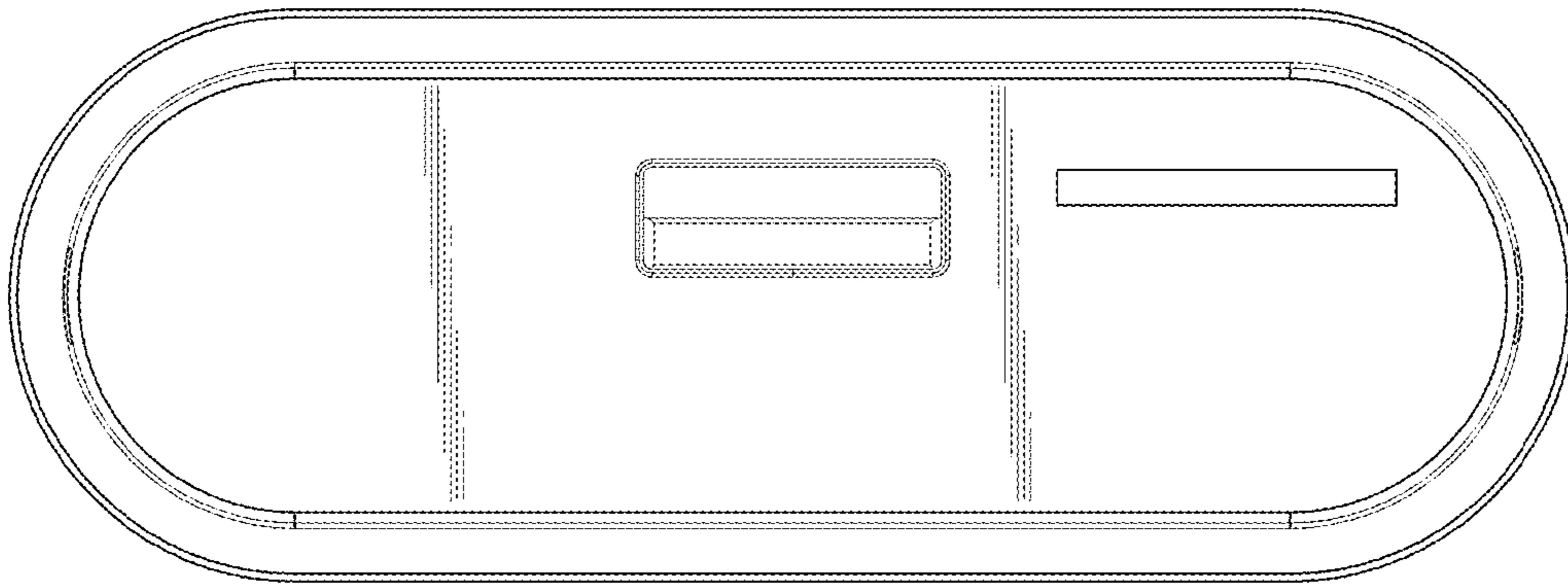


FIG. 4

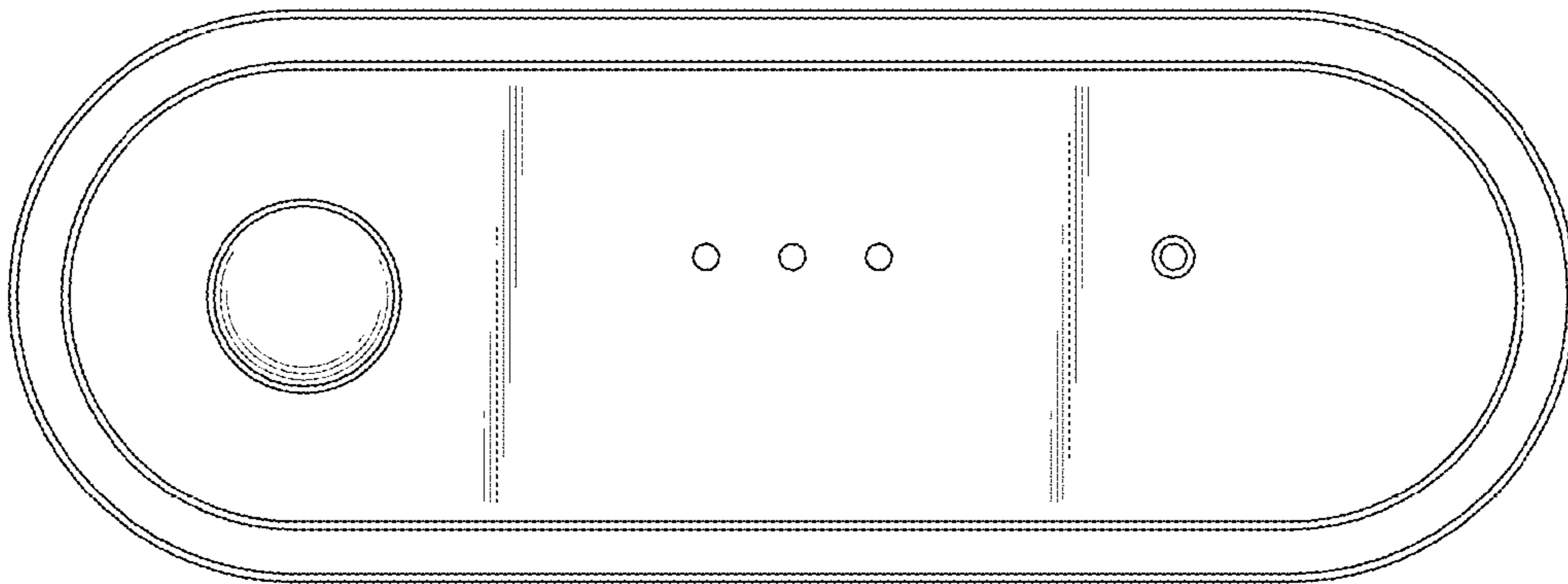


FIG. 5

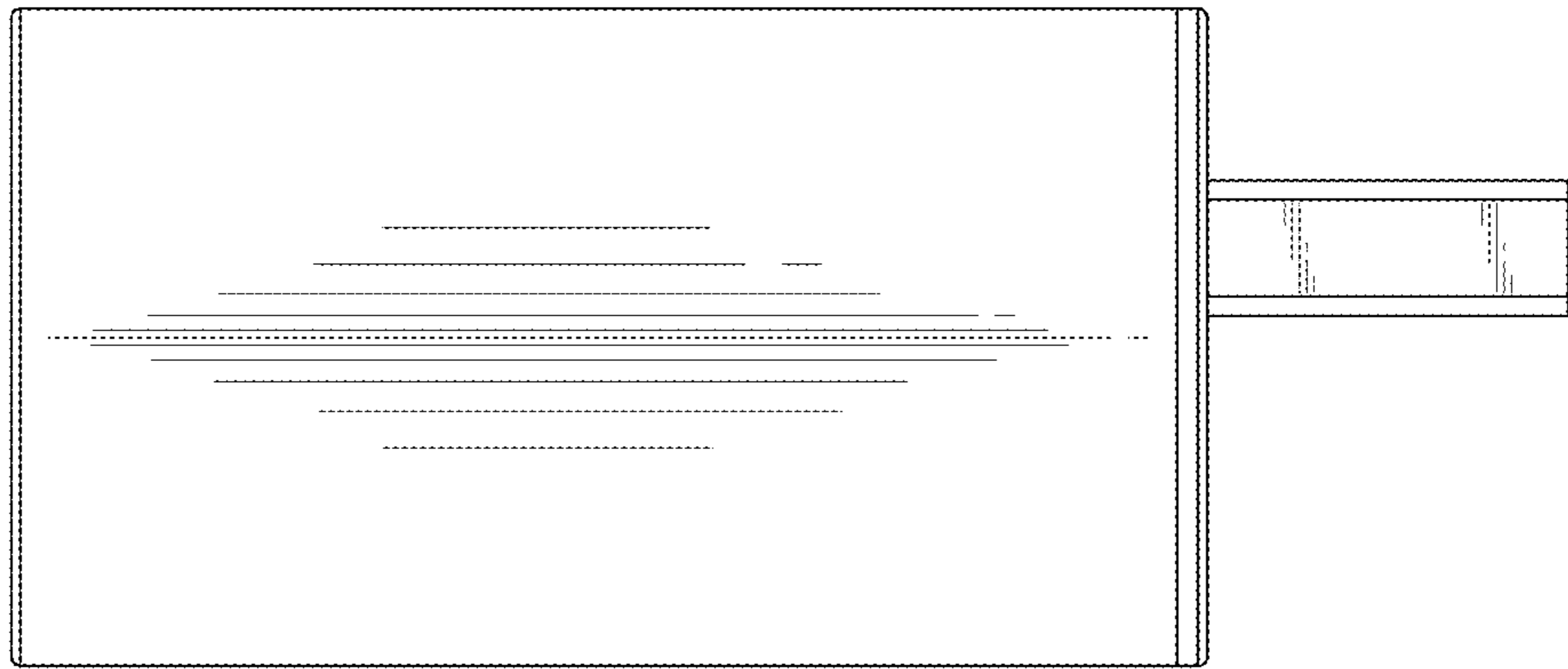


FIG. 6

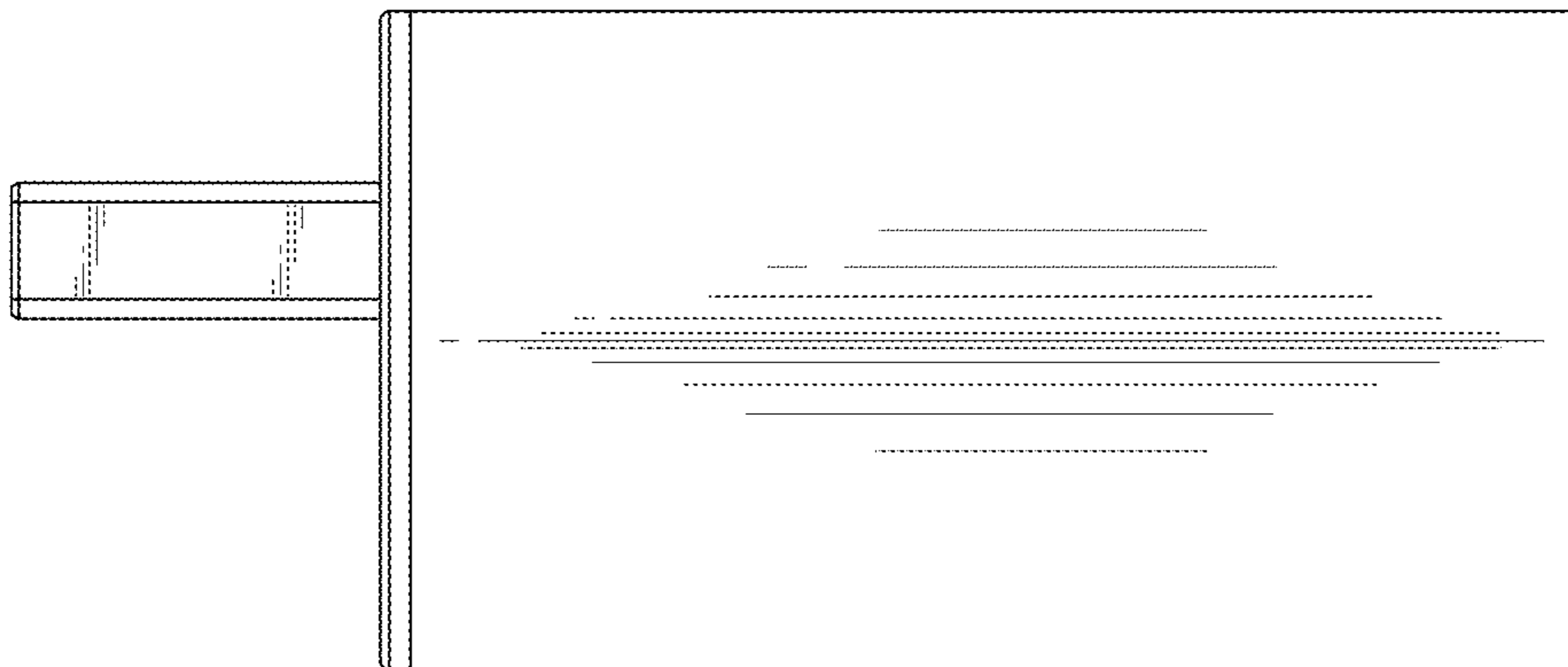


FIG. 7

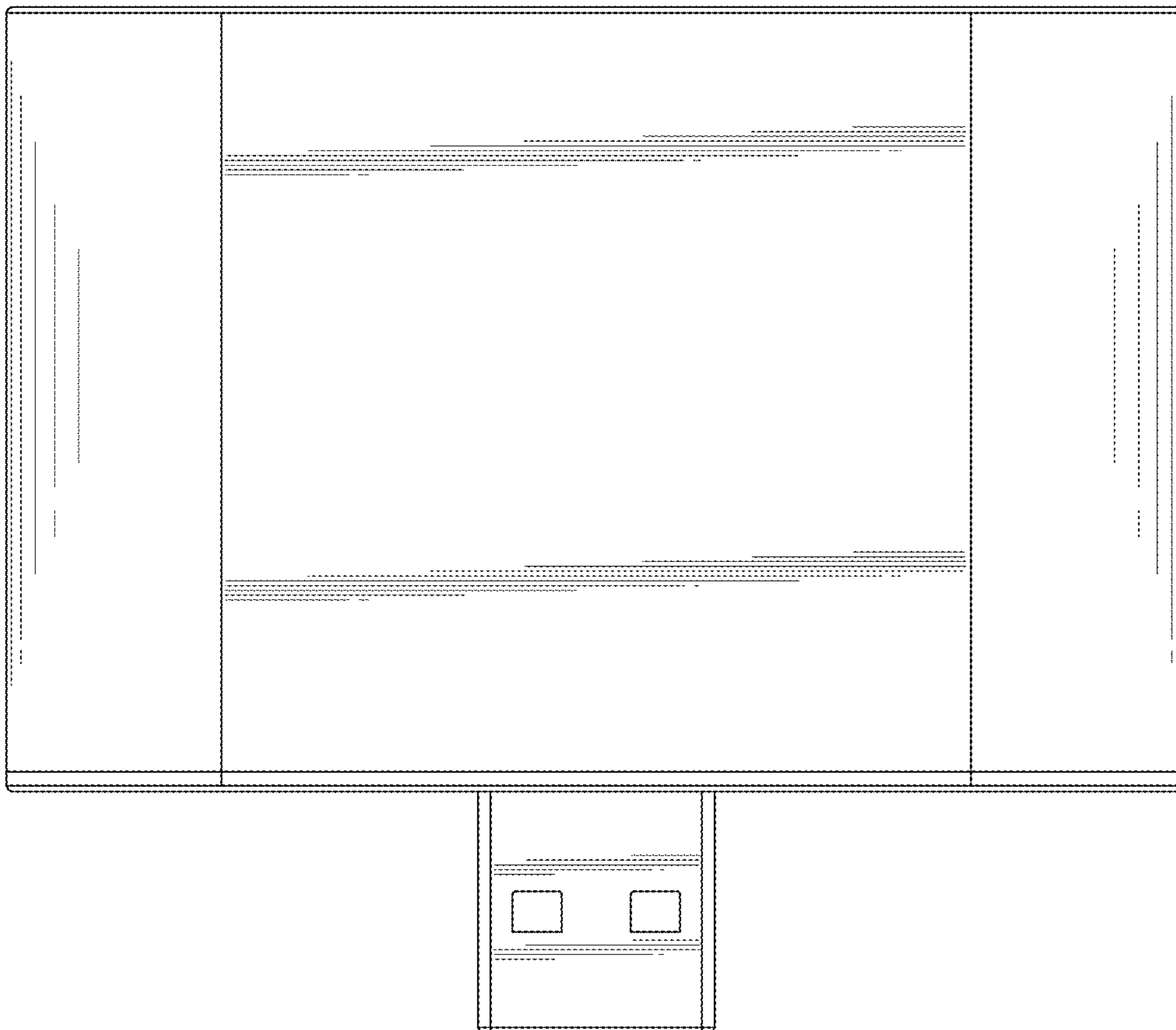


FIG. 8

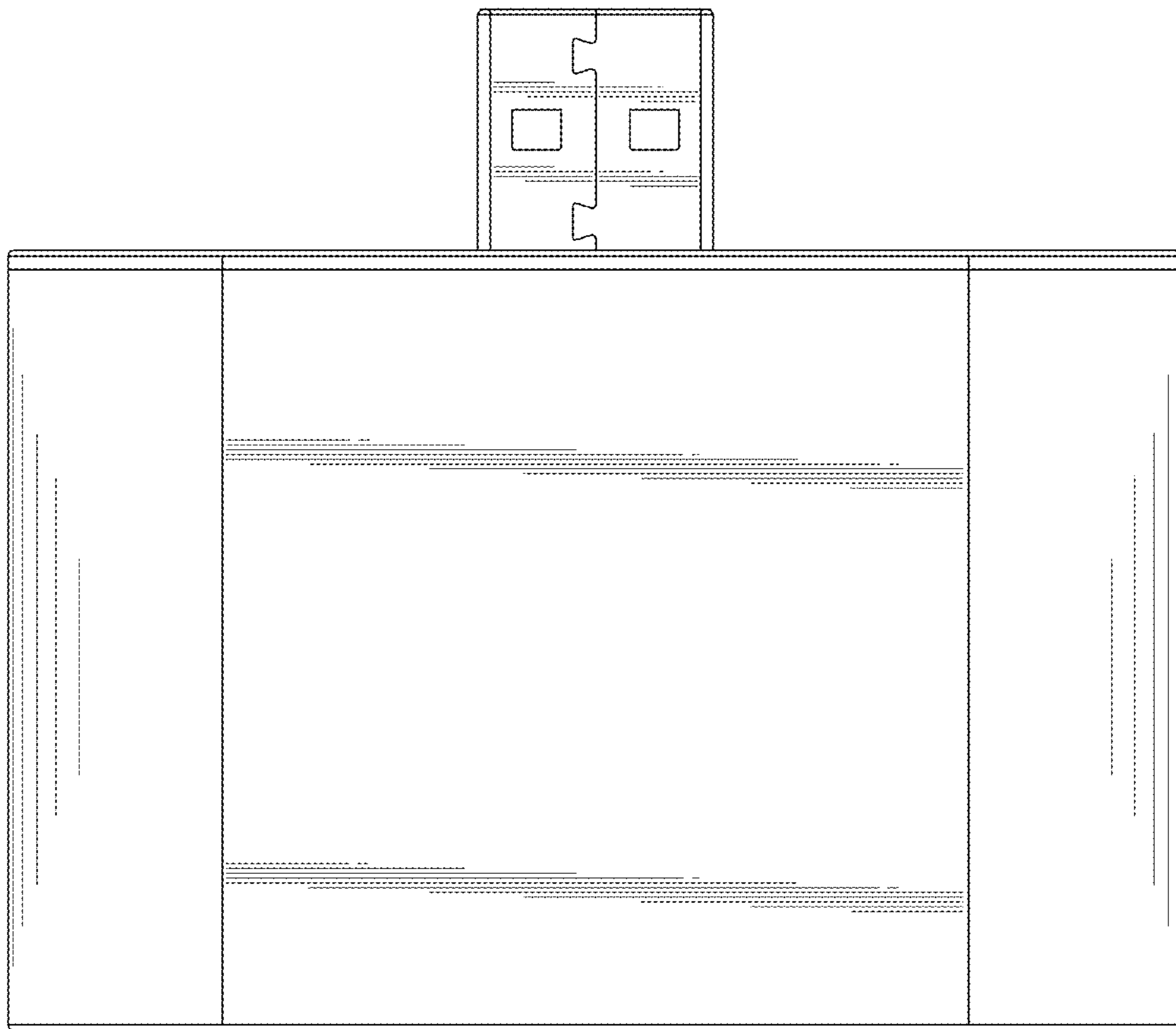


FIG.9