



US00D772876S

(12) **United States Design Patent**
Akana et al.

(10) **Patent No.:** **US D772,876 S**

(45) **Date of Patent:** **** Nov. 29, 2016**

(54) **STYLUS TIP**

(71) Applicant: **Apple Inc.**, Cupertino, CA (US)

(72) Inventors: **Jody Akana**, San Francisco, CA (US);
Molly Anderson, San Francisco, CA (US); **Bartley K. Andre**, Palo Alto, CA (US); **Shota Aoyagi**, San Francisco, CA (US); **Kevin Armendariz**, Mountain View, CA (US); **Anthony Michael Ashcroft**, San Francisco, CA (US); **Jeremy Bataillou**, San Francisco, CA (US); **Priyanka Bhandari**, San Francisco, CA (US); **Ryan Brooks**, Menlo Park, CA (US); **Daniel J. Coster**, San Francisco, CA (US); **Daniele De Iuliis**, San Francisco, CA (US); **M. Evans Hankey**, San Francisco, CA (US); **Julian Hoenig**, San Francisco, CA (US); **Richard P. Howarth**, San Francisco, CA (US); **Jonathan P. Ive**, San Francisco, CA (US); **Duncan Robert Kerr**, San Francisco, CA (US); **Matthew Dean Rohrbach**, San Francisco, CA (US); **Peter Russell-Clarke**, San Francisco, CA (US); **Benjamin Andrew Shaffer**, San Jose, CA (US); **Mikael Silvano**, San Francisco, CA (US); **Christopher J. Stringer**, Woodside, CA (US); **Liquan Tan**, Sunnyvale, CA (US); **Eugene Antony Whang**, San Francisco, CA (US); **Aidan N. Zimmerman**, Sunnyvale, CA (US); **Rico Zörkendörfer**, San Francisco, CA (US)

(73) Assignee: **Apple Inc.**, Cupertino, CA (US)

(**) Term: **15 Years**

(21) Appl. No.: **29/538,860**

(22) Filed: **Sep. 9, 2015**

(51) **LOC (10) Cl.** **07-05**

(52) **U.S. Cl.**
USPC **D14/411**

(58) **Field of Classification Search**
USPC D14/372, 496, 432, 371, 125, 126, 129, D14/299, 411; D16/300-342; 351/158, 153, 351/144; 345/7-9, 905; 455/344; 348/115, 348/53, 121, 739
CPC G02B 27/017; G06F 3/016; G06F 3/033; G06F 3/0317; G06F 3/03545; G06F 3/041; G06K 9/222
See application file for complete search history.

(56) **References Cited**

U.S. PATENT DOCUMENTS

D352,703 S * 11/1994 Mitcham D14/411
5,747,748 A * 5/1998 Zigler B43K 23/10
178/18.01

(Continued)

OTHER PUBLICATIONS

Adonit Styluses, <<http://www.adonit.net/jot/>>, available at least as early as Sep. 4, 2015.

(Continued)

Primary Examiner — Austin Murphy

(74) *Attorney, Agent, or Firm* — Saidman DesignLaw Group, LLC

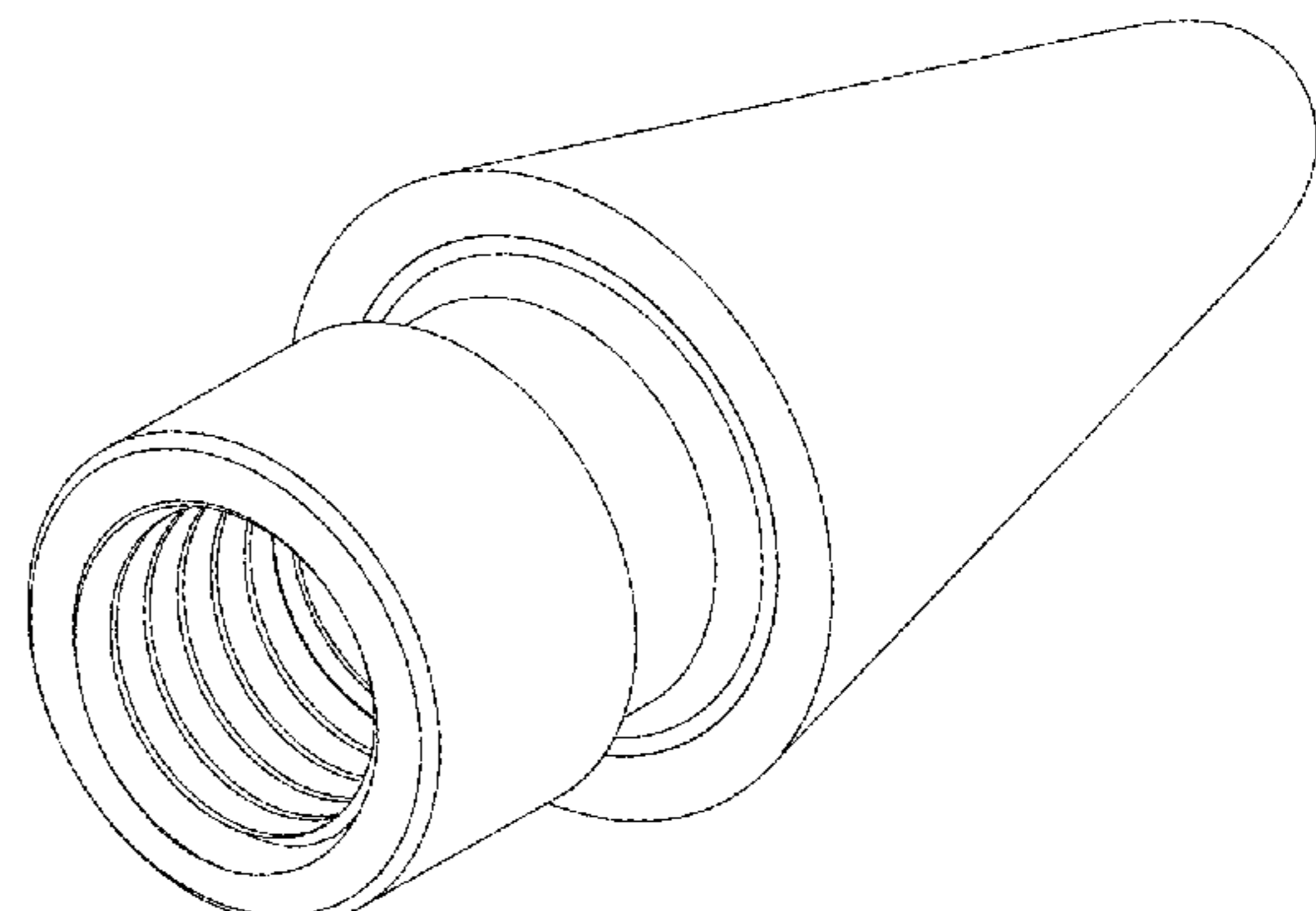
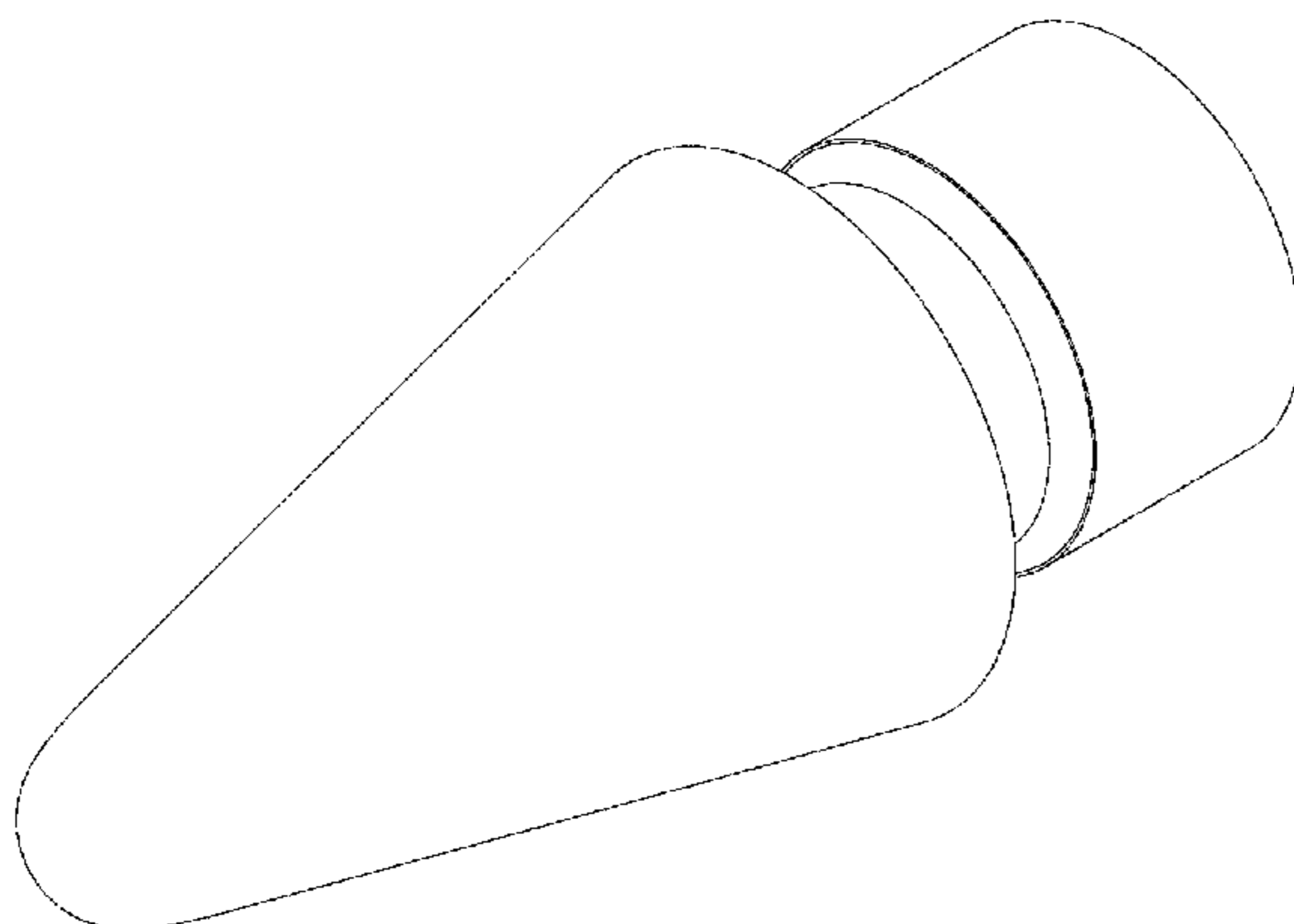
(57) **CLAIM**

The ornamental design for a stylus tip, as shown and described.

DESCRIPTION

FIG. 1 is a front perspective view of a stylus tip showing our new design;
FIG. 2 is a rear perspective view thereof;
FIG. 3 is a front view thereof;
FIG. 4 is a rear view thereof;
FIG. 5 is a right side view thereof;
FIG. 6 left side view thereof;
FIG. 7 is a top view thereof; and,
FIG. 8 is a bottom view thereof.
FIG. 3 includes surface shading which shows contour, not surface ornamentation.

1 Claim, 4 Drawing Sheets



(56)

References Cited

U.S. PATENT DOCUMENTS

D487,746 S * 3/2004 Fitch D14/411
D544,484 S * 6/2007 Hussaini D14/411
D614,623 S 4/2010 Crisp et al.
D617,328 S 6/2010 Nakata
D669,898 S 10/2012 Nakata
D670,700 S 11/2012 Halsinger et al.
D680,114 S * 4/2013 Hashi D14/411
D681,037 S * 4/2013 Hashi D14/411
D682,833 S 5/2013 Paschke et al.
D699,723 S 2/2014 Nishizawa
D717,302 S * 11/2014 DeSerio D14/411
D720,349 S * 12/2014 Comerford D14/411

D724,086 S 3/2015 Schoenert et al.
D724,087 S * 3/2015 Sakatsume D14/411
D744,486 S * 12/2015 Arai D14/411
D750,630 S 3/2016 Nishizawa
9,298,285 B2 * 3/2016 Mohindra G06F 3/03545
D754,661 S 4/2016 Nishizawa

OTHER PUBLICATIONS

U.S. Appl. No. 29/538,660 to Akana et al., titled "Stylus", filed Sep. 4, 2015 (unpublished).
U.S. Appl. No. 29/538,663 to Akana et al., titled "Stylus", filed Sep. 4, 2015 (unpublished).

* cited by examiner

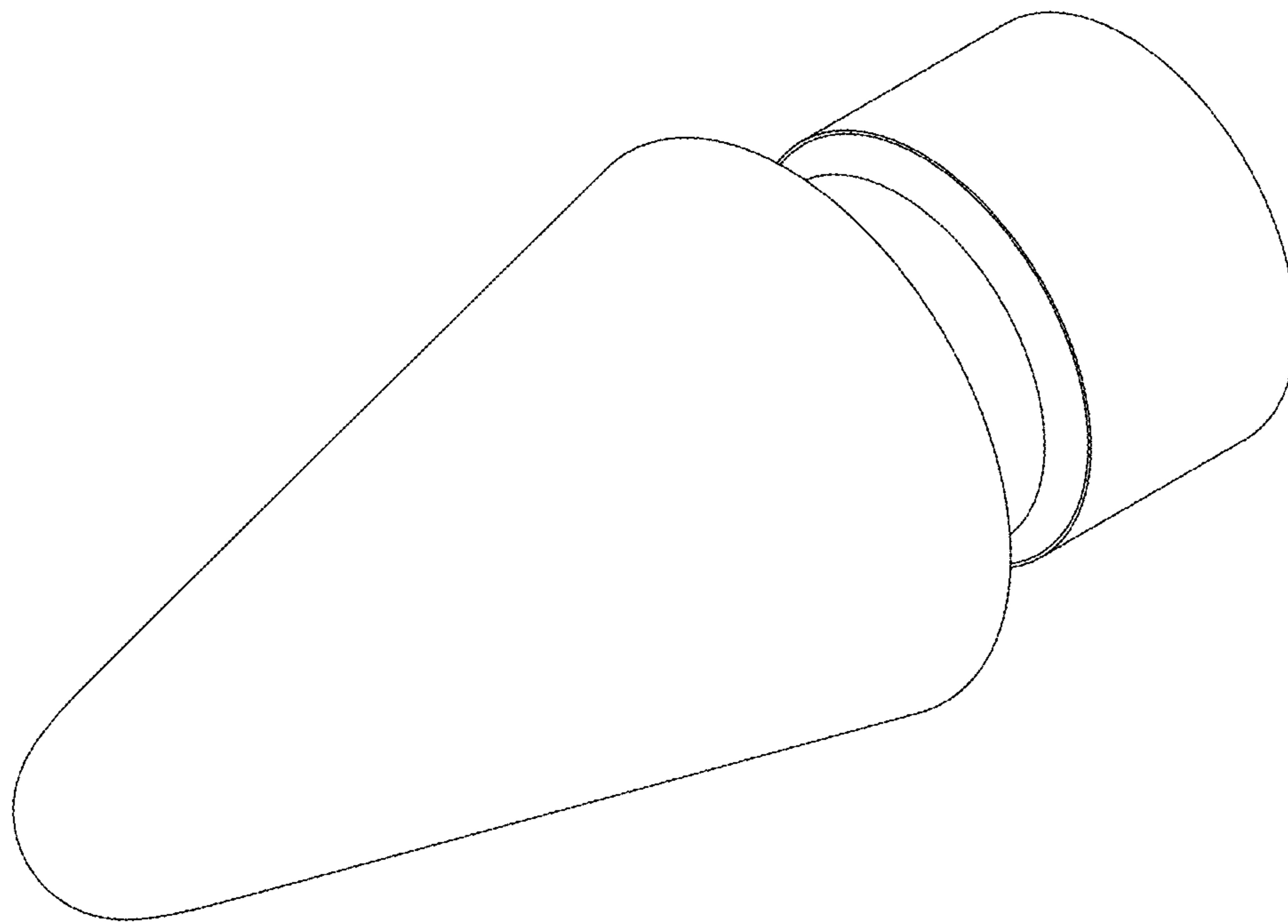


FIG. 1

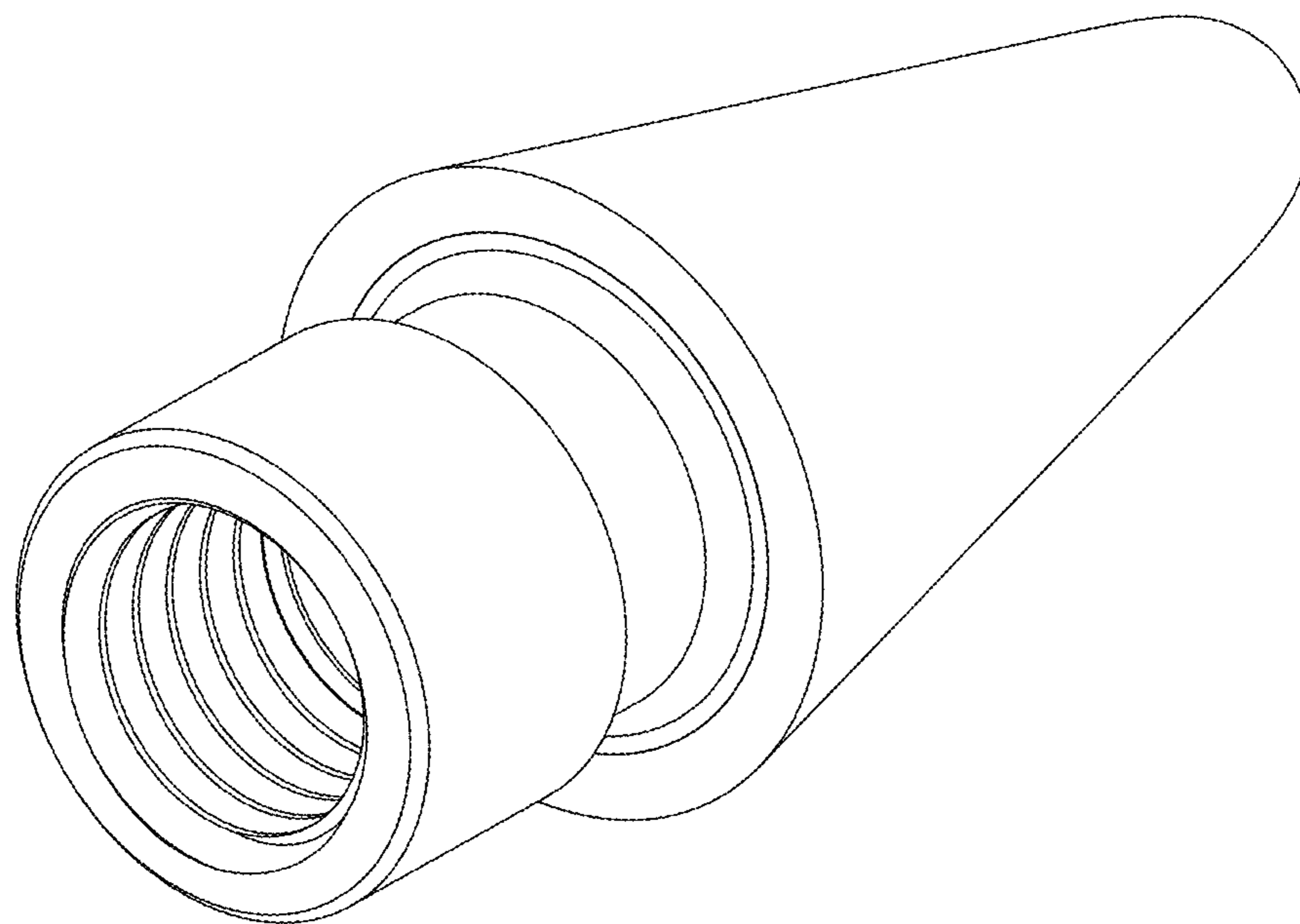


FIG. 2

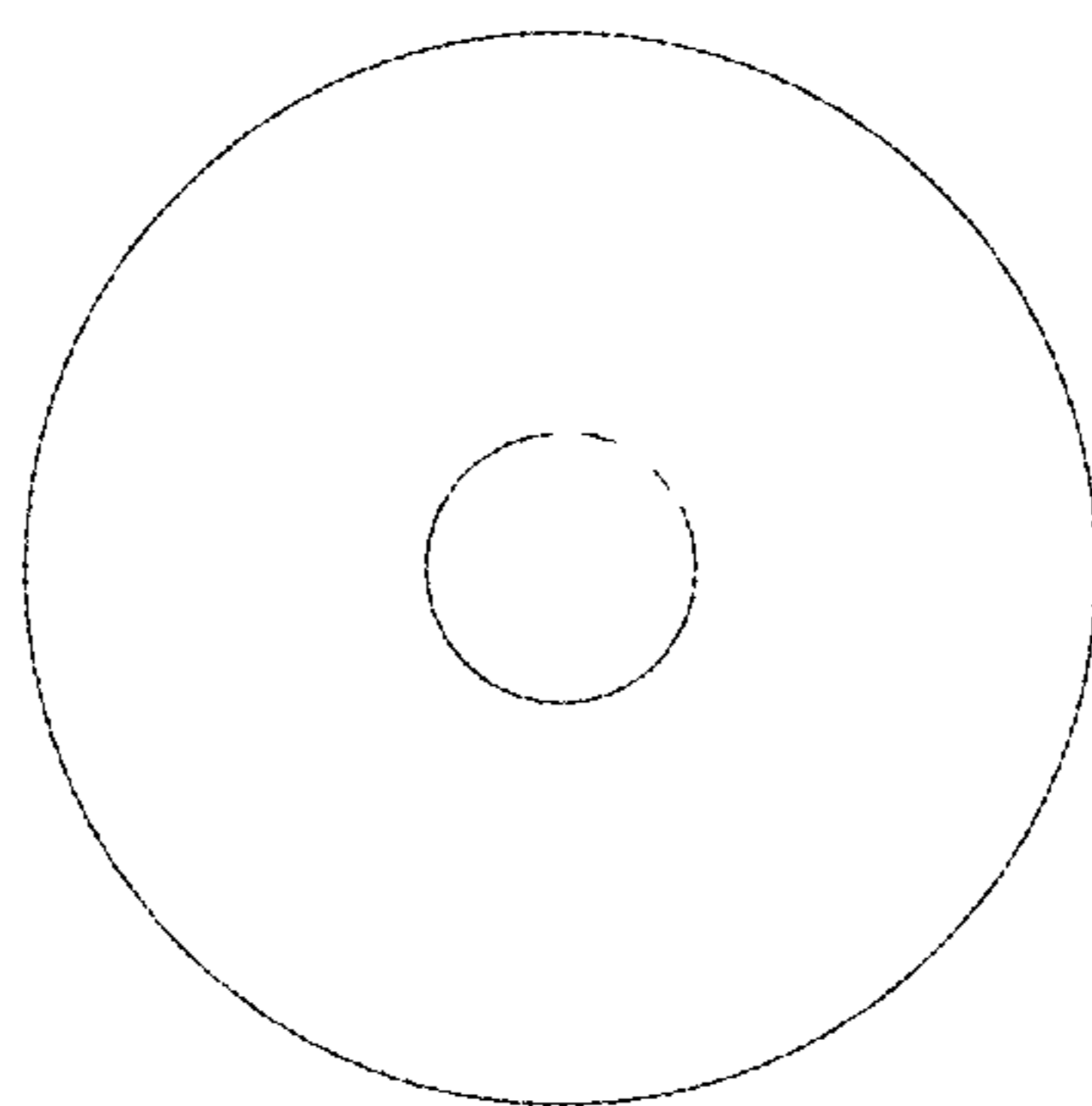


FIG. 3

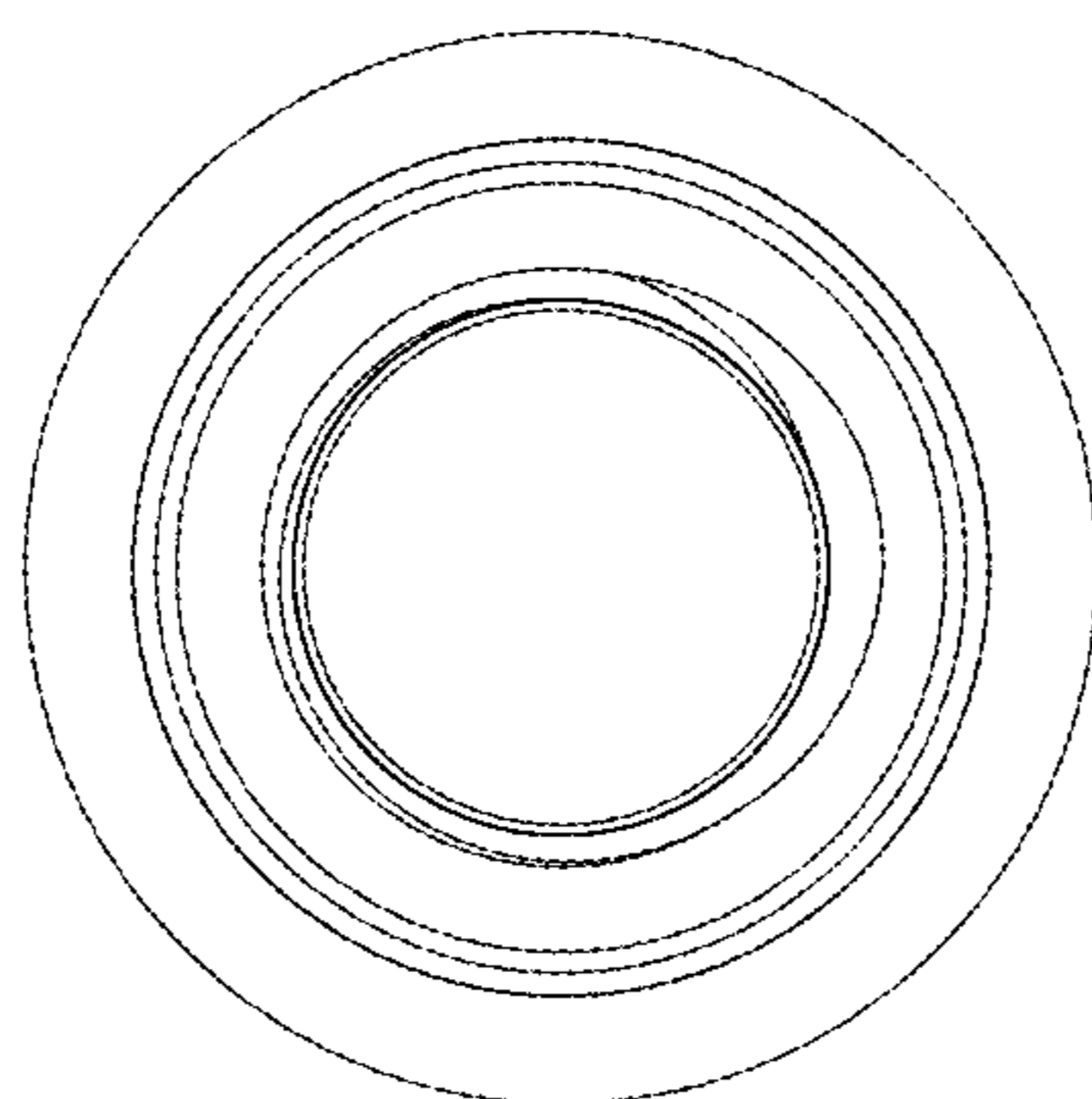


FIG. 4

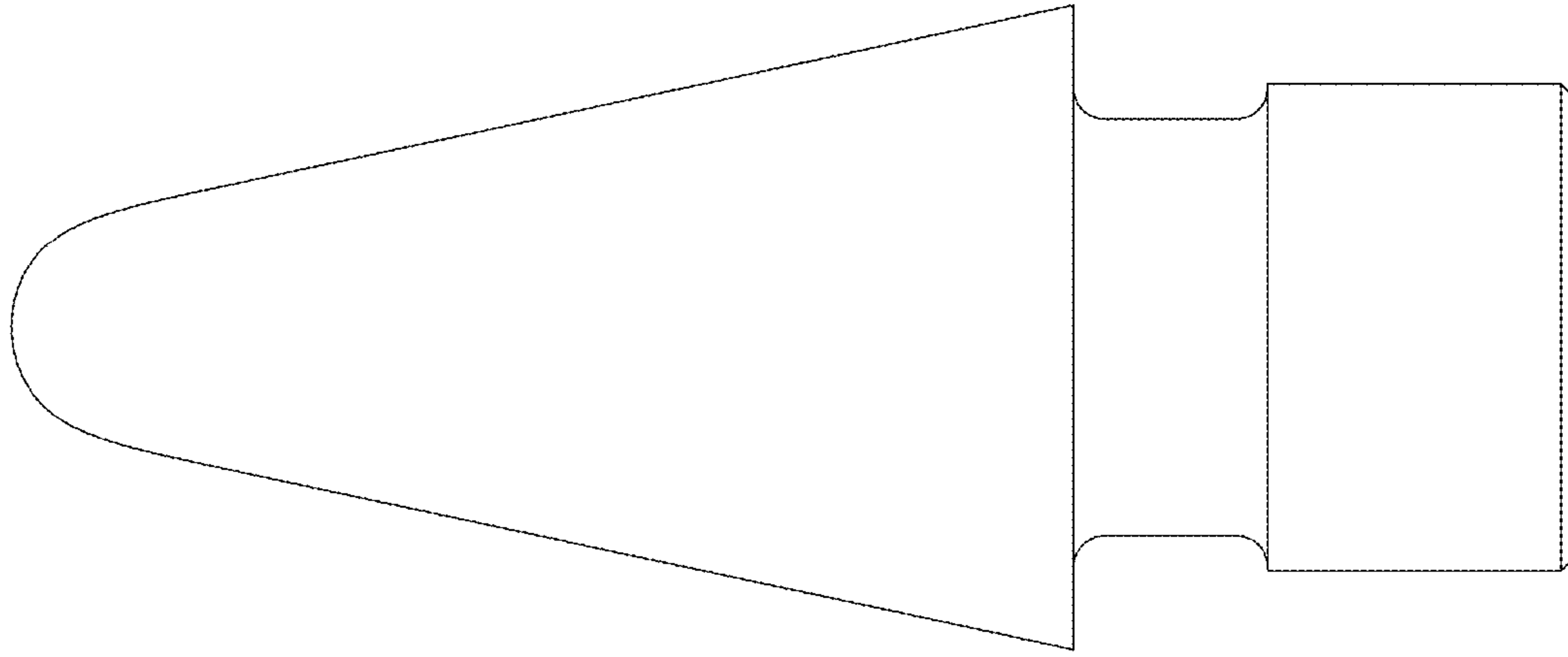


FIG. 5

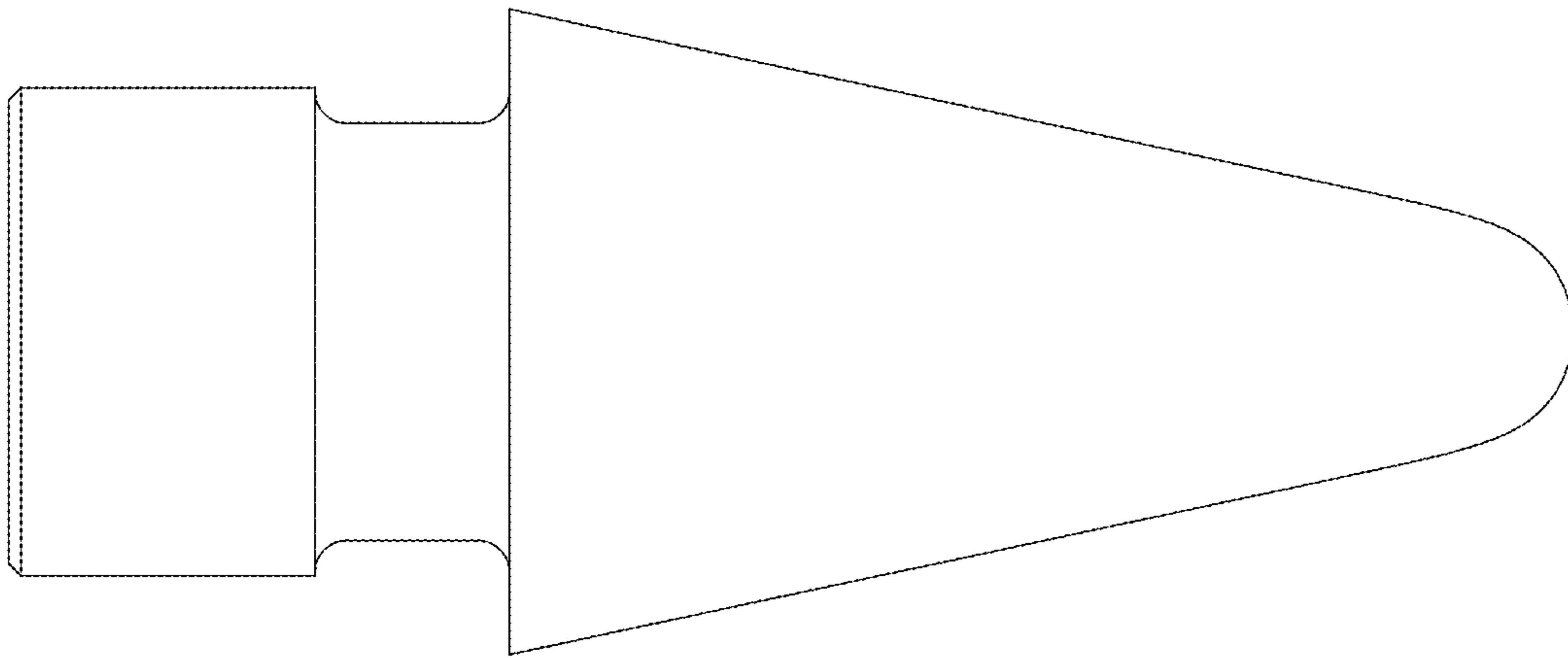


FIG. 6

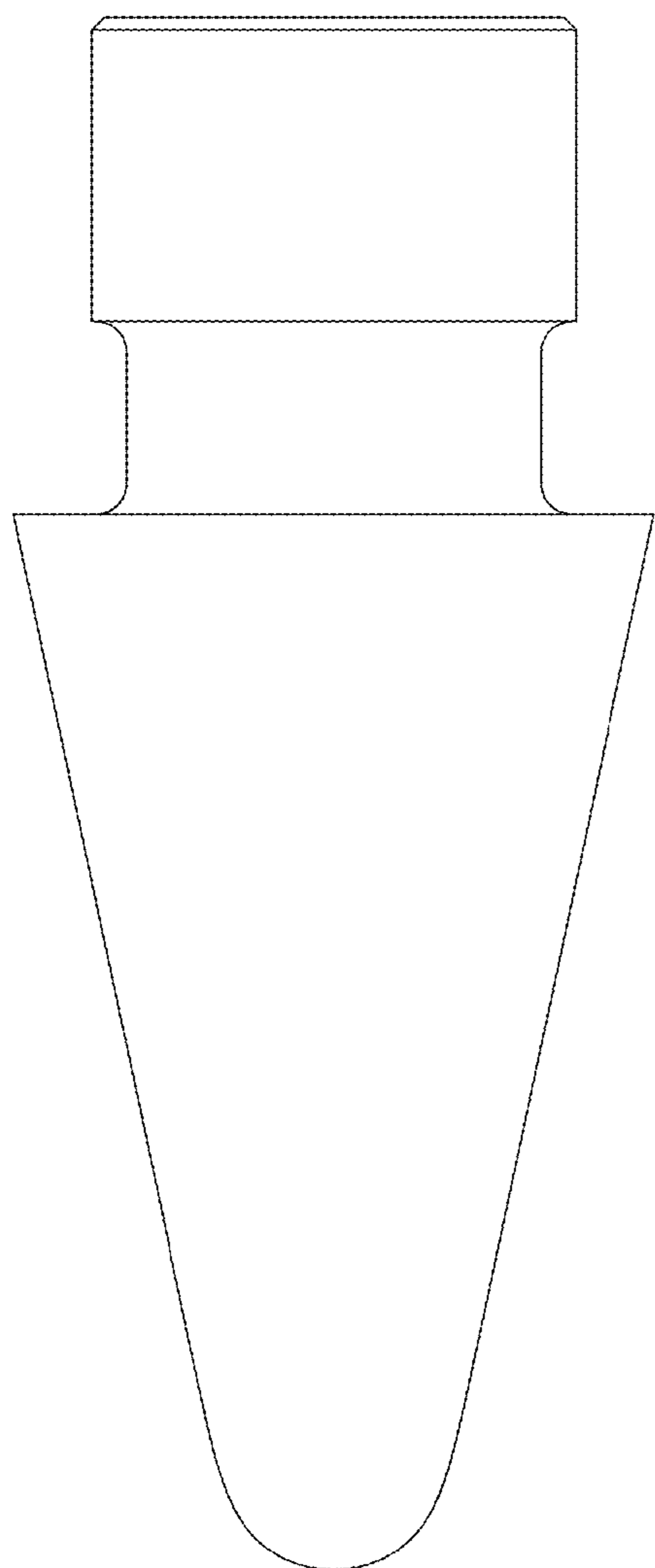


FIG. 7

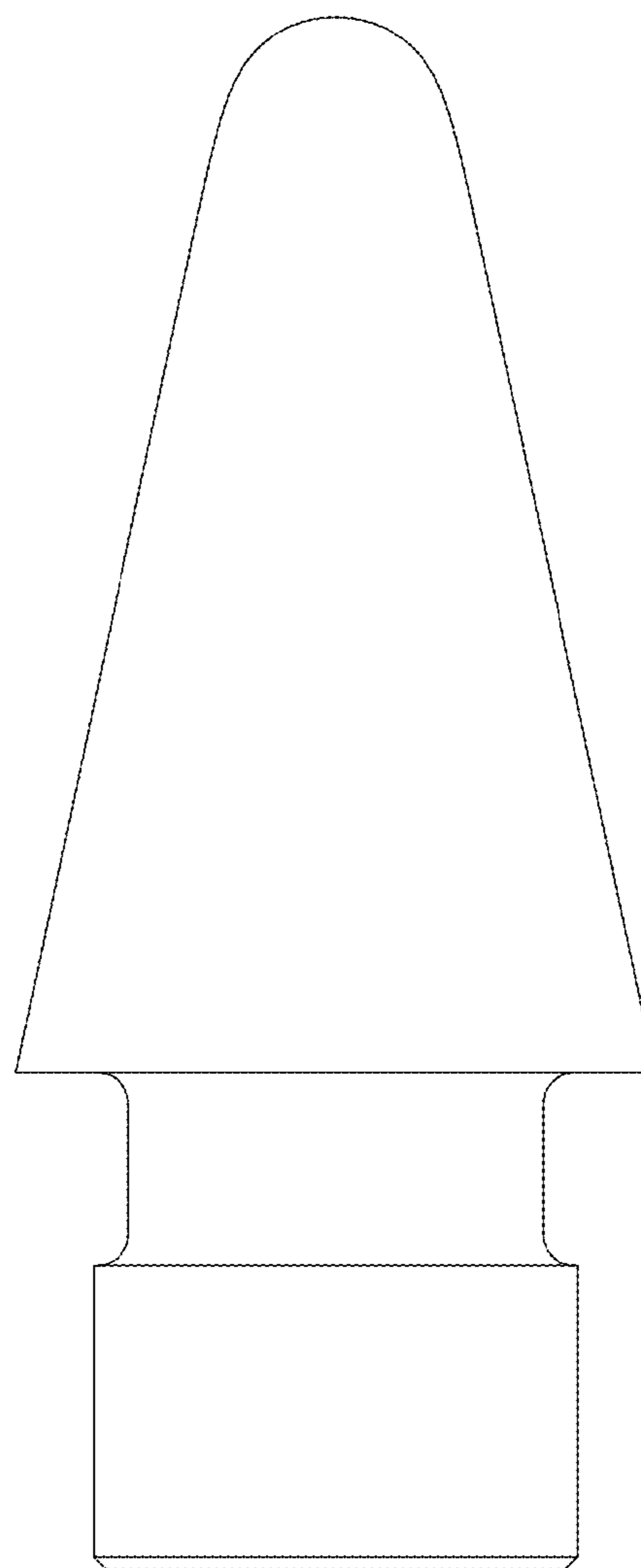


FIG. 8