



US00D772874S

(12) **United States Design Patent**
Jiang et al.

(10) **Patent No.:** **US D772,874 S**

(45) **Date of Patent:** **** Nov. 29, 2016**

(54) **WEARABLE DISPLAY DEVICE**

(71) Applicant: **SHENZHEN ROYOLE TECHNOLOGIES CO., LTD.**,
Shenzhen (CN)

(72) Inventors: **Chao Jiang**, Shenzhen (CN); **Fan Yang**, Shenzhen (CN); **Xinyuan Xia**, Shenzhen (CN); **Songling Yang**, Shenzhen (CN)

(**) Term: **15 Years**

(21) Appl. No.: **29/543,078**

(22) Filed: **Oct. 20, 2015**

(30) **Foreign Application Priority Data**

Aug. 19, 2015 (CN) 2015 3 03130820

(51) **LOC (10) Cl.** **14-02**

(52) **U.S. Cl.**
USPC **D14/372**

(58) **Field of Classification Search**

USPC D14/372, 496, 432, 371, 125, 126, 129,
D14/299; D16/300-342; 351/158, 153, 144;
345/7-9, 905; 455/344; 348/115, 53,
348/121, 739

CPC G02B 27/017; G02B 27/0158; G02B
27/0161; G02B 27/0181; G02B 27/0185;
G02B 27/0189

See application file for complete search history.

(56) **References Cited**

U.S. PATENT DOCUMENTS

D719,953 S * 12/2014 Nokuo D14/372
D727,896 S * 4/2015 Laluque D14/372
D739,855 S * 9/2015 Bosveld D14/372
D740,810 S * 10/2015 Bosveld D14/372
D740,811 S * 10/2015 Bosveld D14/372
D741,327 S * 10/2015 Reznik D14/372

D741,860 S * 10/2015 Bosveld D14/372
D749,580 S * 2/2016 Kim D14/372
D751,072 S * 3/2016 Lyons D14/372
D753,112 S * 4/2016 Fei D14/372
D760,225 S * 6/2016 Passmore D14/372
D761,257 S * 7/2016 Passmore D14/372

* cited by examiner

Primary Examiner — Austin Murphy

(57) **CLAIM**

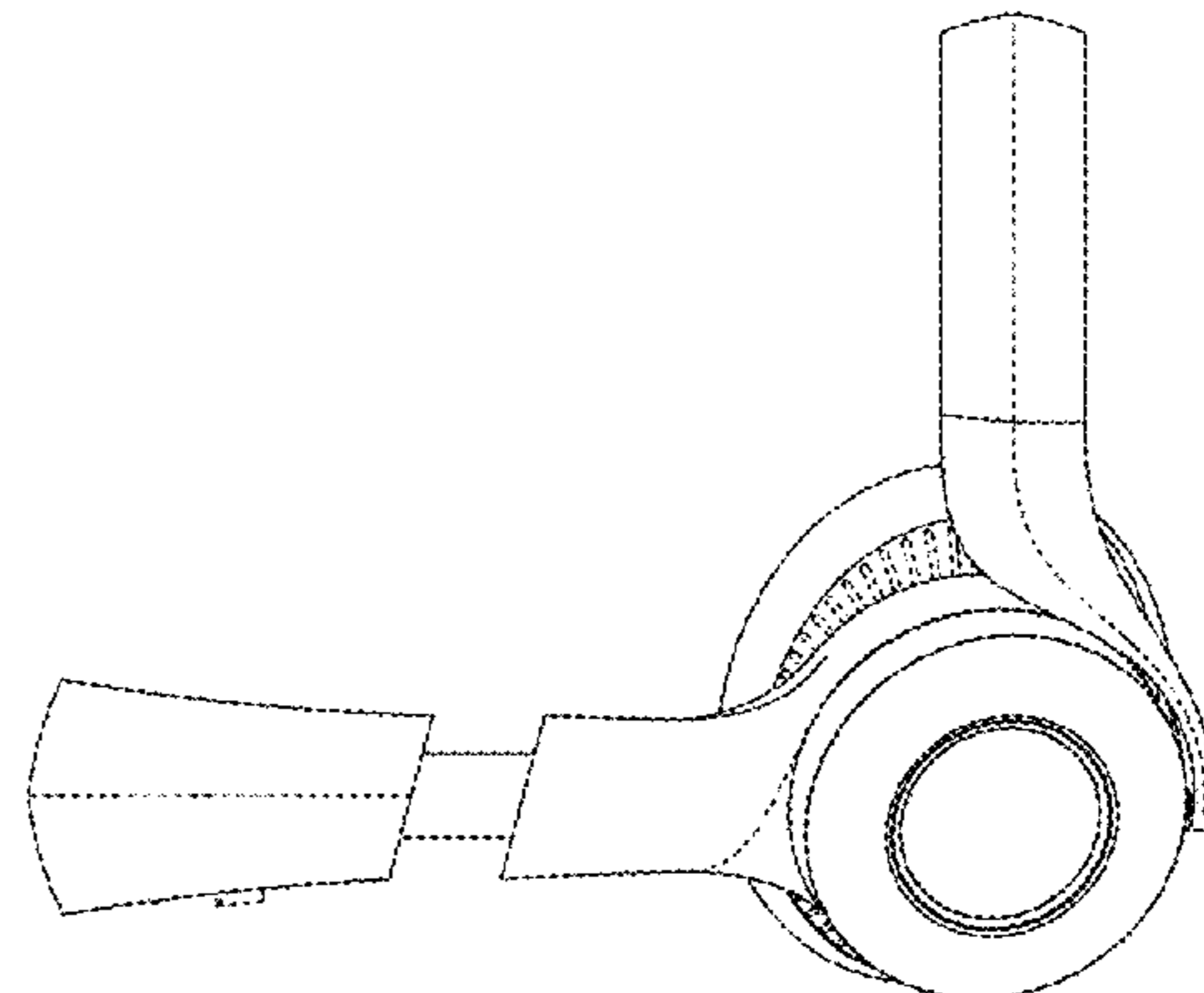
The ornamental design for a wearable display device, as shown and described.

DESCRIPTION

FIG. 1 is a front side view of the wearable display device in accordance with a first embodiment of the present invention; FIG. 2 is a back side view of the embodiment of the wearable display device depicted in FIG. 1; FIG. 3 is a left side view of the embodiment of the wearable display device depicted in FIG. 1; FIG. 4 is a right side view of the embodiment of the wearable display device depicted in FIG. 1; FIG. 5 is a top side view of the embodiment of the wearable display device depicted in FIG. 1; FIG. 6 is a bottom side view of the embodiment of the wearable display device depicted in FIG. 1; FIG. 7 is a perspective view illustrating a first practical application of the embodiment of the wearable display device depicted in FIG. 1; FIG. 8 is a right side view illustrating a second practical application of the embodiment of the wearable display device depicted in FIG. 1; and, FIG. 9 is a perspective view illustrating a third practical application of the embodiment of the wearable display device depicted in FIG. 1.

The broken lines showing the environment in the Figures are for illustrative purposes only and form no part of the claimed design.

1 Claim, 9 Drawing Sheets



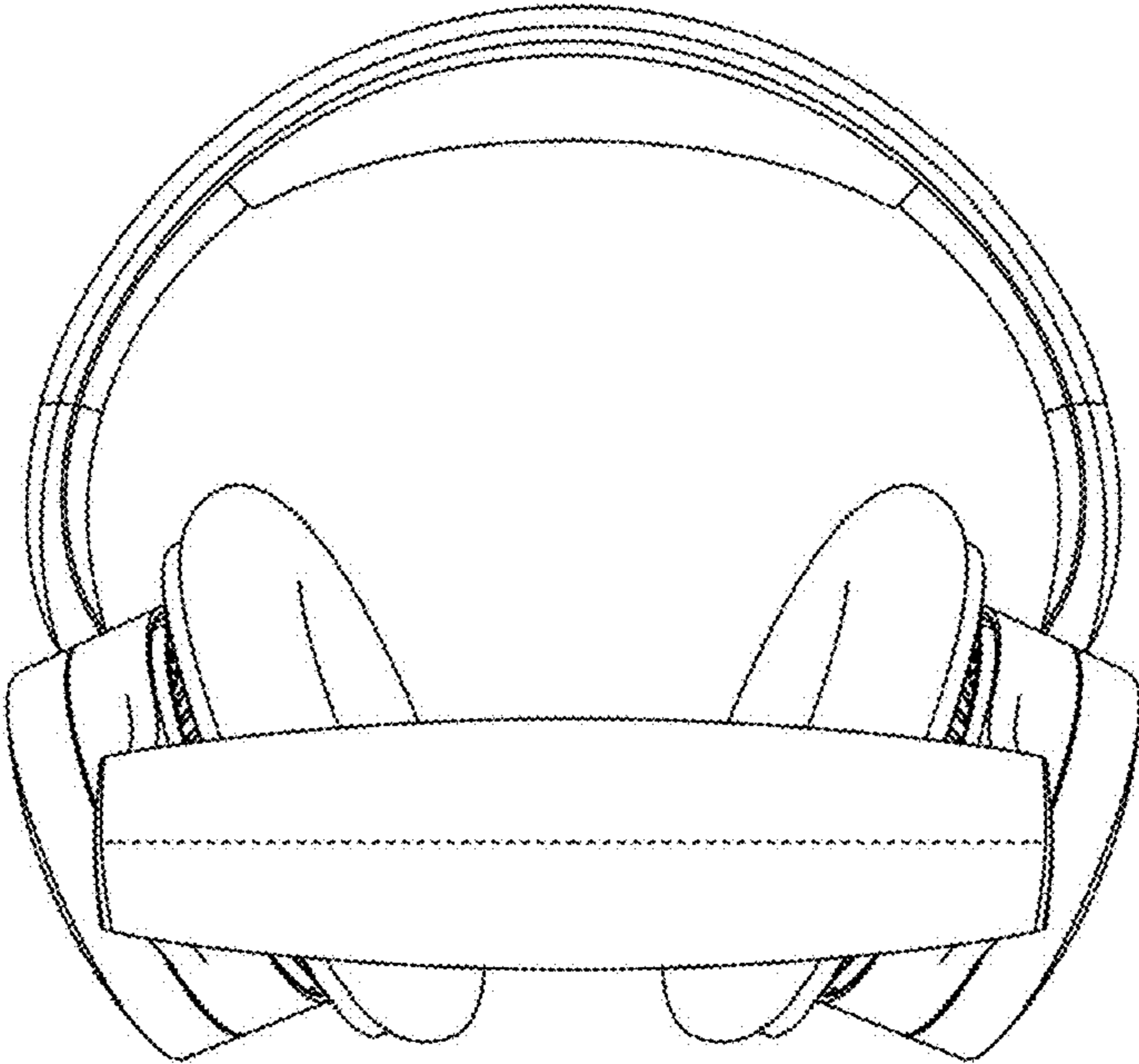


Fig. 1



Fig. 2

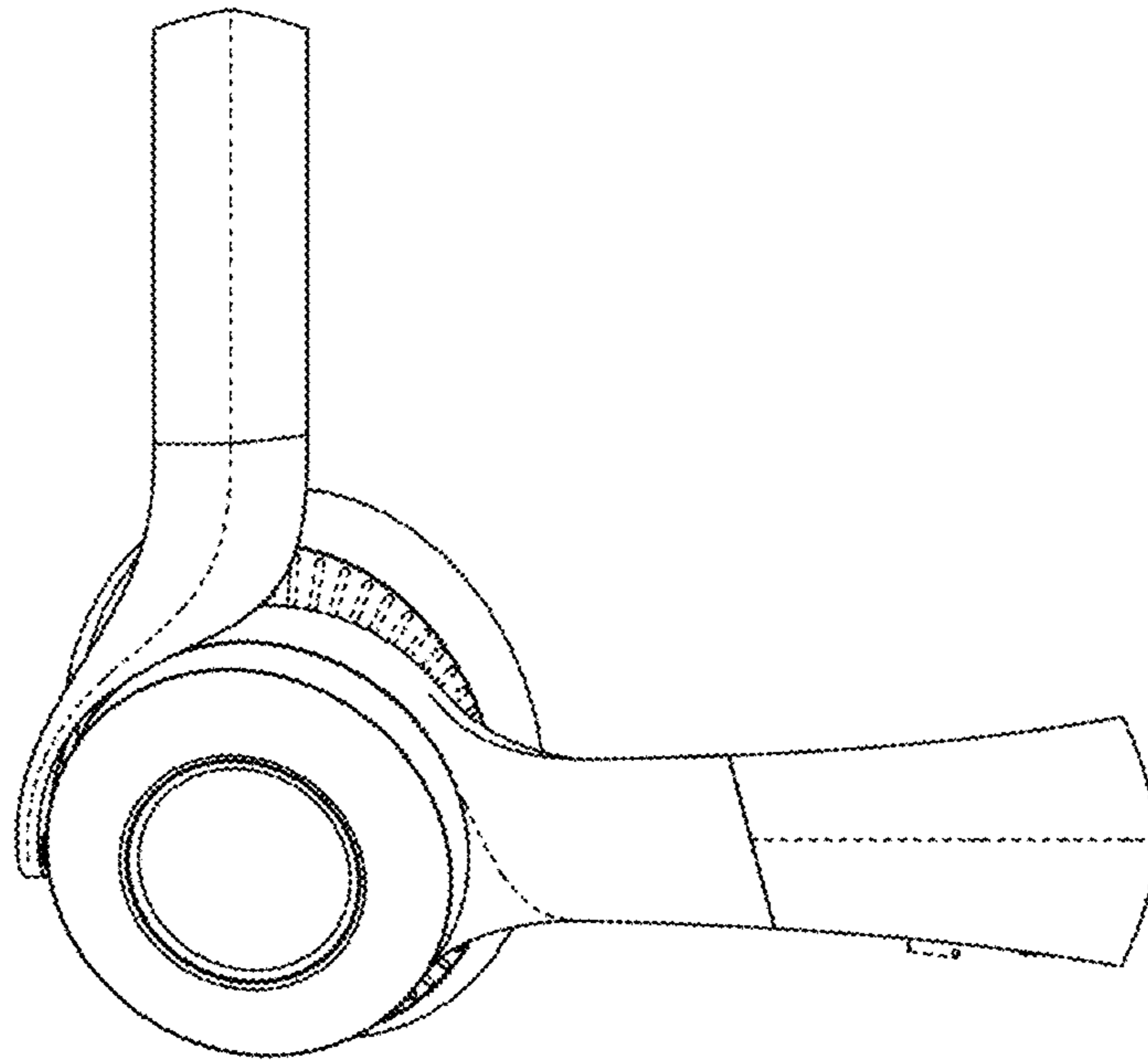


Fig. 3

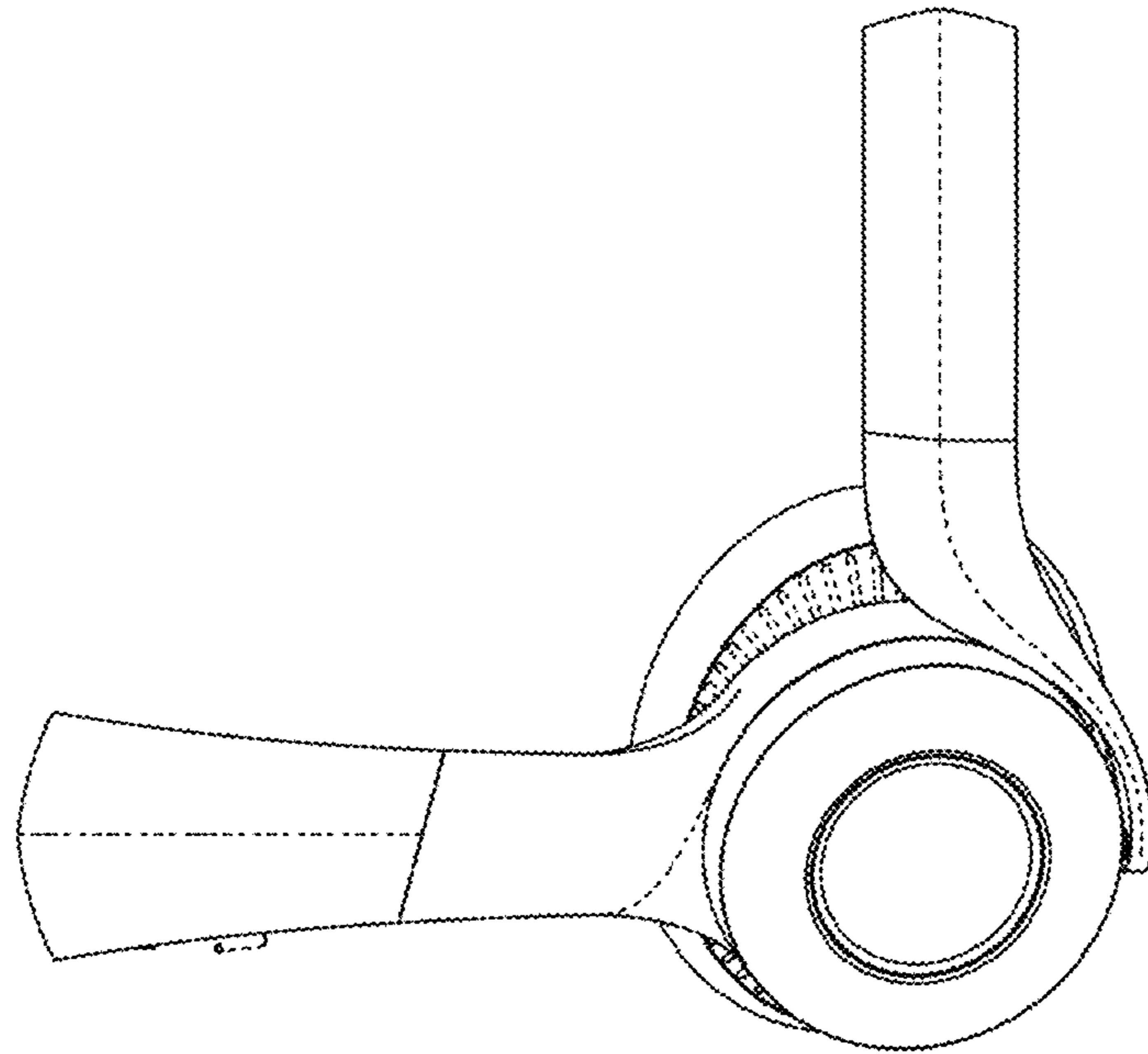


Fig. 4

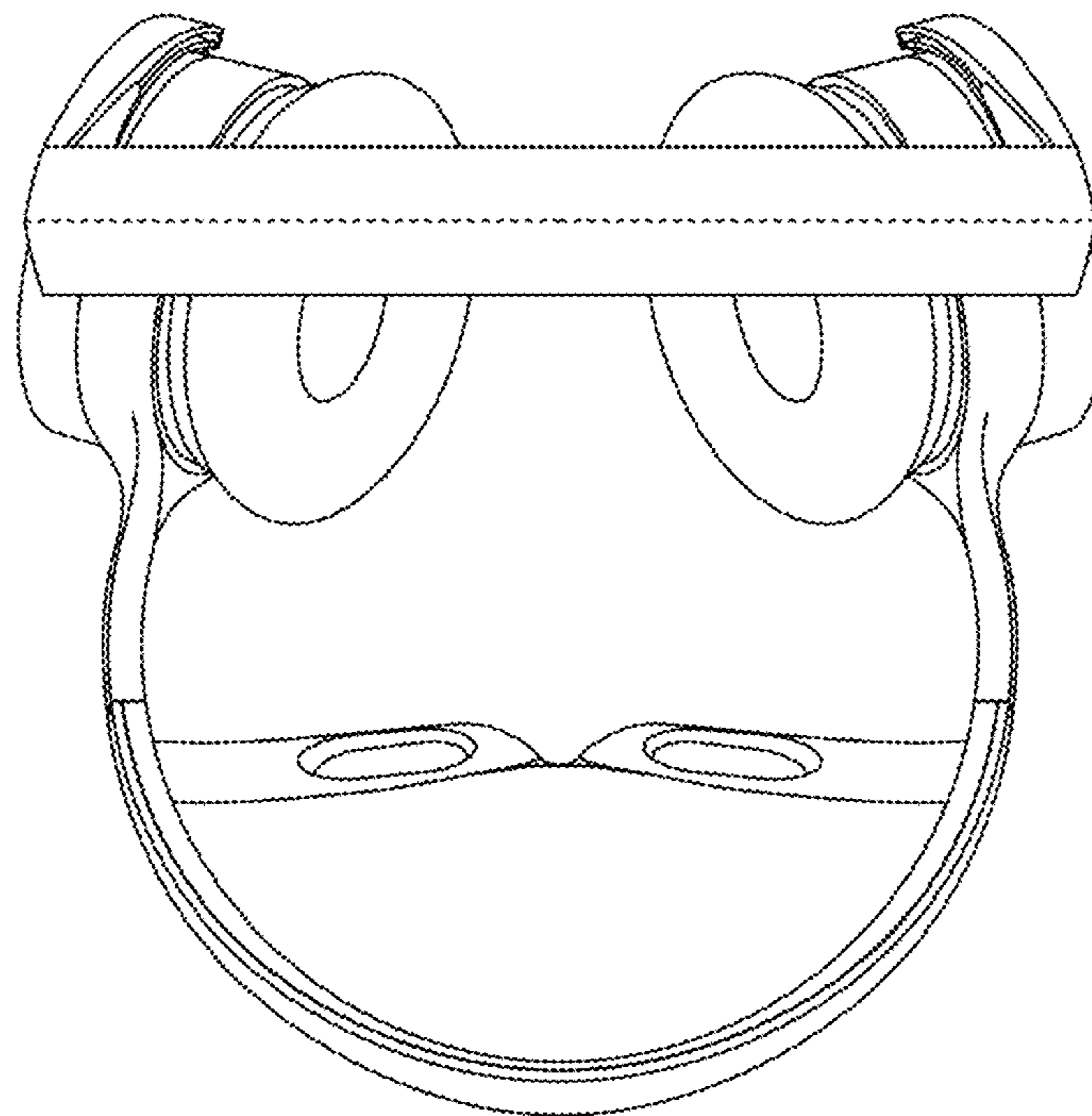


Fig. 5

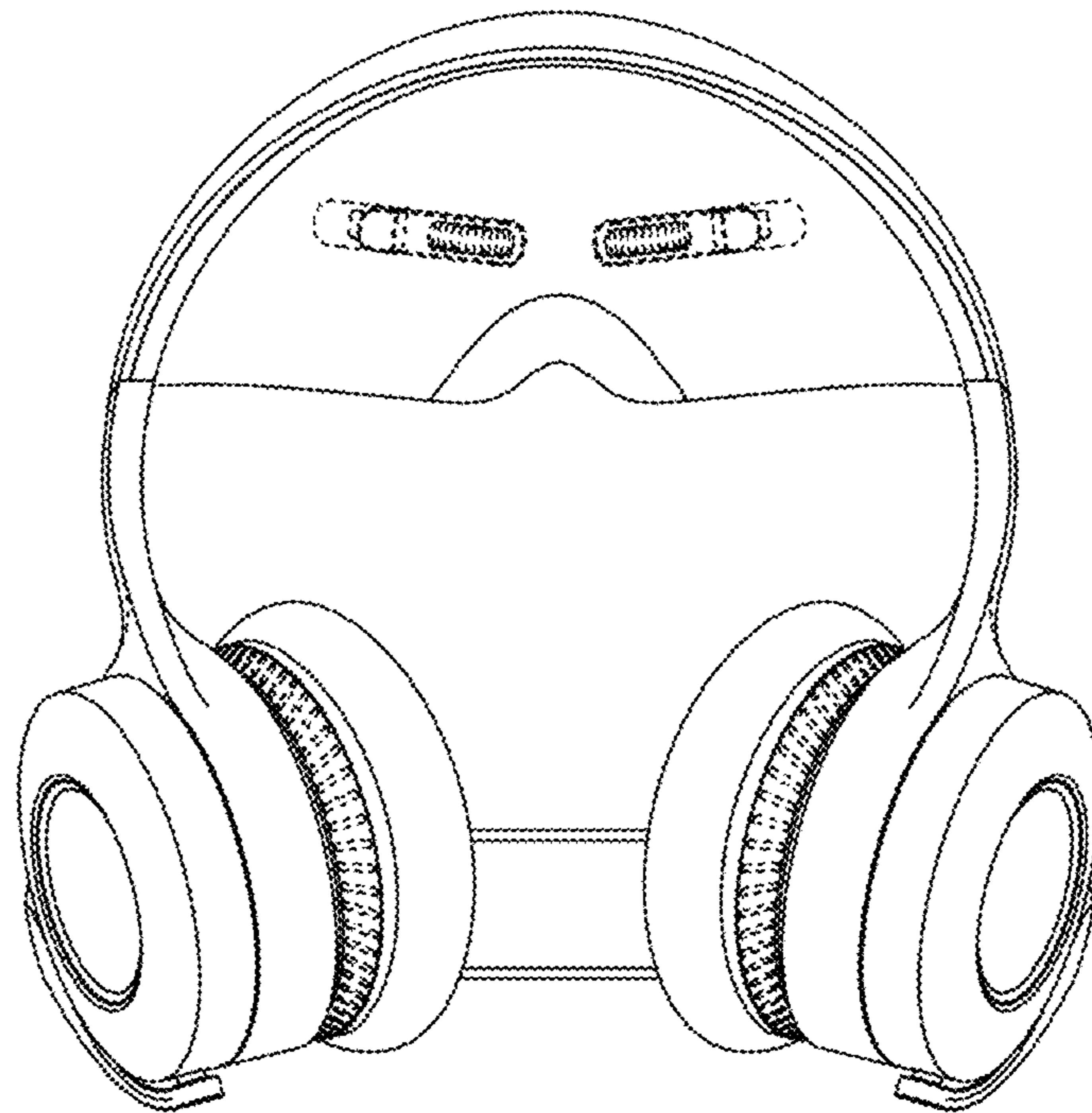


Fig. 6



Fig. 7

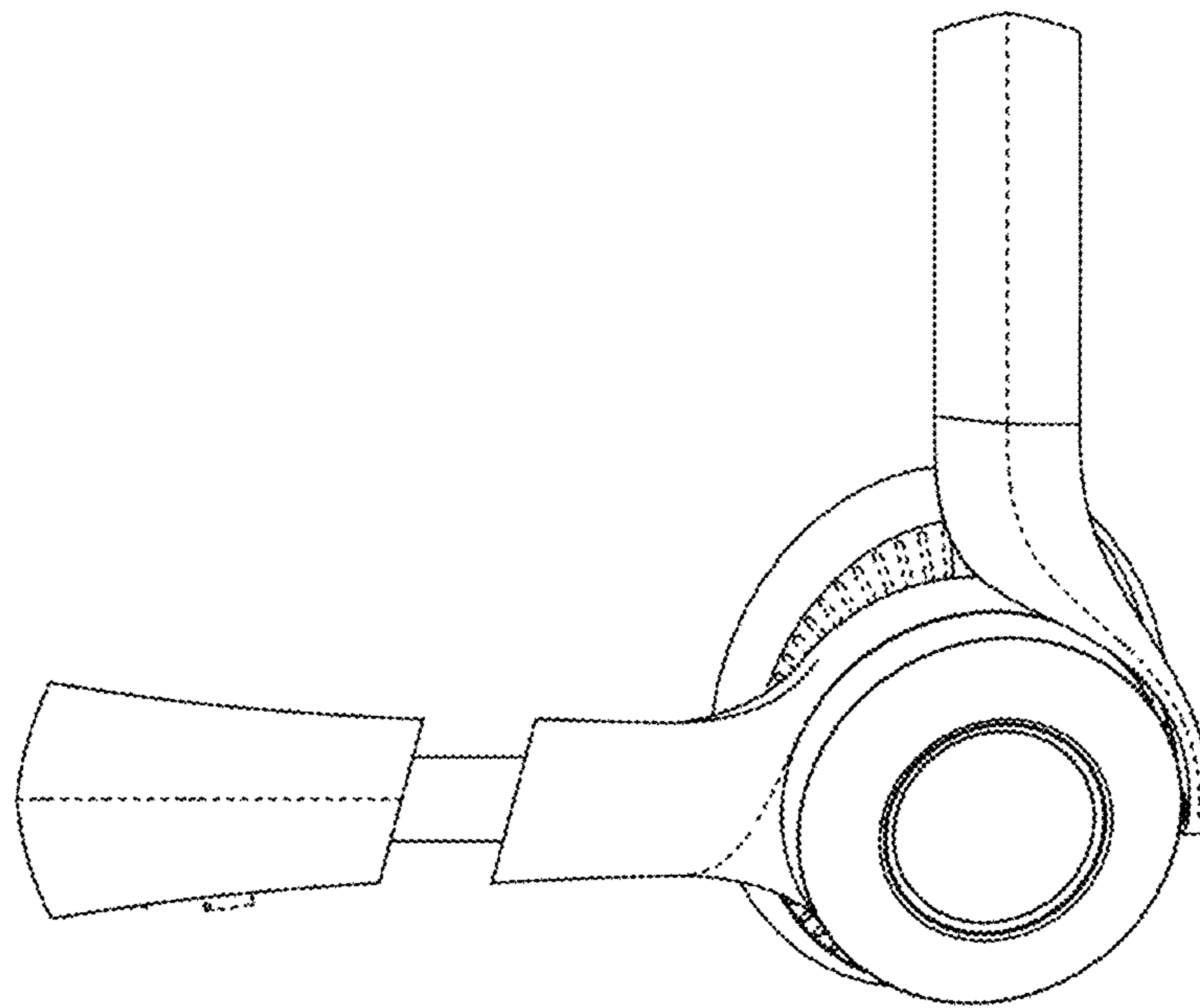


Fig. 8

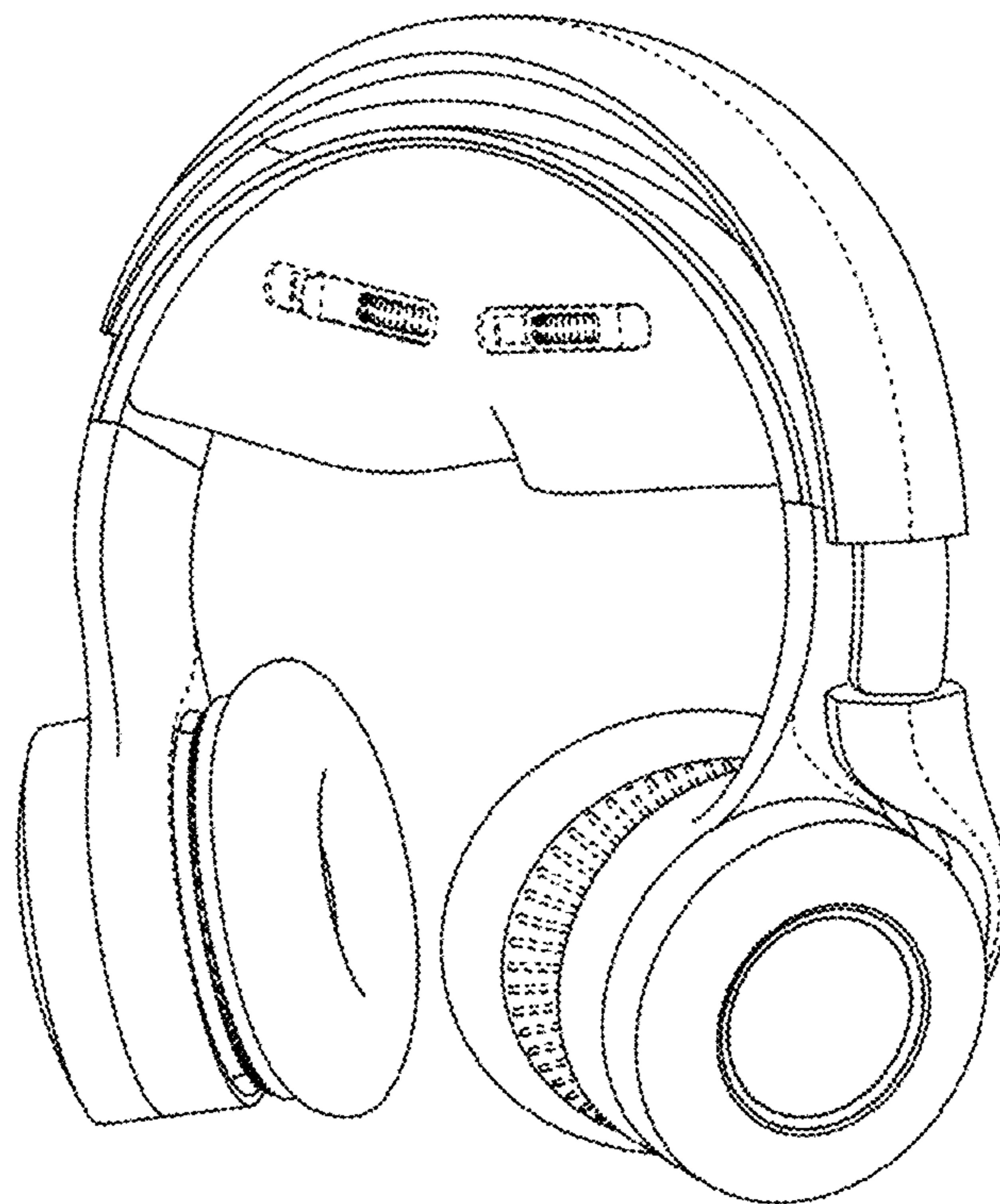


Fig. 9