



US00D772873S

(12) **United States Design Patent** (10) **Patent No.:** **US D772,873 S**
Kowal et al. (45) **Date of Patent:** **** Nov. 29, 2016**

(54) **RECEIVER**

(71) Applicant: **HushTech, Inc.**, San Francisco, CA
(US)

(72) Inventors: **Robert Kowal**, San Francisco, CA
(US); **John Miles**, San Francisco, CA
(US)

(73) Assignee: **HushTech, Inc.**, San Francisco, CA
(US)

(**) Term: **14 Years**

(21) Appl. No.: **29/521,109**

(22) Filed: **Mar. 19, 2015**

(51) **LOC (10) Cl.** **14-02**

(52) **U.S. Cl.**
USPC **D14/358**; D14/496; D14/188

(58) **Field of Classification Search**
USPC D14/125, 137, 188, 197, 198, 300,
D14/356-359, 203.1, 203.2, 203.3, 203.5,
D14/203.6, 203.8, 230, 240, 155, 217, 218,
D14/223, 265, 432, 433, 496, 299;
D13/168, 171, 173, 174, 184, 199
CPC H04B 1/03; H04B 1/034; H04B 1/06;
H04B 1/08; H04B 1/082; H04B 1/086;
H04B 1/088; H04B 1/10; H04B 1/20; H04B
1/207; H04B 1/38
See application file for complete search history.

(56) **References Cited**

U.S. PATENT DOCUMENTS

D232,768 S * 9/1974 Mishiro D10/102
D262,457 S * 12/1981 Swales D14/155
D325,207 S * 4/1992 Dix D14/188
D327,269 S * 6/1992 Totsuka D14/194
5,268,965 A * 12/1993 Badie H04R 1/38
381/122
D401,937 S * 12/1998 Isonaga D14/194
D436,349 S * 1/2001 Kim D14/203.3
D494,188 S * 8/2004 Huang D14/203.3
D502,164 S * 2/2005 Ko D14/203.5

D511,512 S * 11/2005 Yang D14/203.3
D516,082 S * 2/2006 Lewis D14/203.6
D520,519 S * 5/2006 Chin D14/203.3
D521,022 S * 5/2006 Chen D14/203.6
D531,159 S * 10/2006 Park D14/203.3
D533,184 S * 12/2006 Kim D14/203.5
D539,814 S * 4/2007 Andre D14/203.3
D590,780 S * 4/2009 Deboer D13/168
D590,781 S * 4/2009 Powers D13/168
D597,066 S * 7/2009 Millen D14/188
D619,117 S * 7/2010 Unruh D14/203.1
D638,819 S * 5/2011 Shum D14/203.1
D643,013 S * 8/2011 Wahl D14/203.5

(Continued)

OTHER PUBLICATIONS

Belkin Intros a 49 Bluetooth Music Receiver Adapter for Your Home Stereo. ehomeupgrade.com (online) published Dec. 16, 2009 [retrieved on Jun. 23, 2016]. Retrieved from Internet: <http://www.ehomeupgrade.com/2009/12/16/belkin-intros-a-49-bluetooth-music-receiver-adapter-for-your-home-stereo/>.*

(Continued)

Primary Examiner — Susan Bennett Hattan
Assistant Examiner — Marie Fast Horse
(74) *Attorney, Agent, or Firm* — Venjuris P.C.

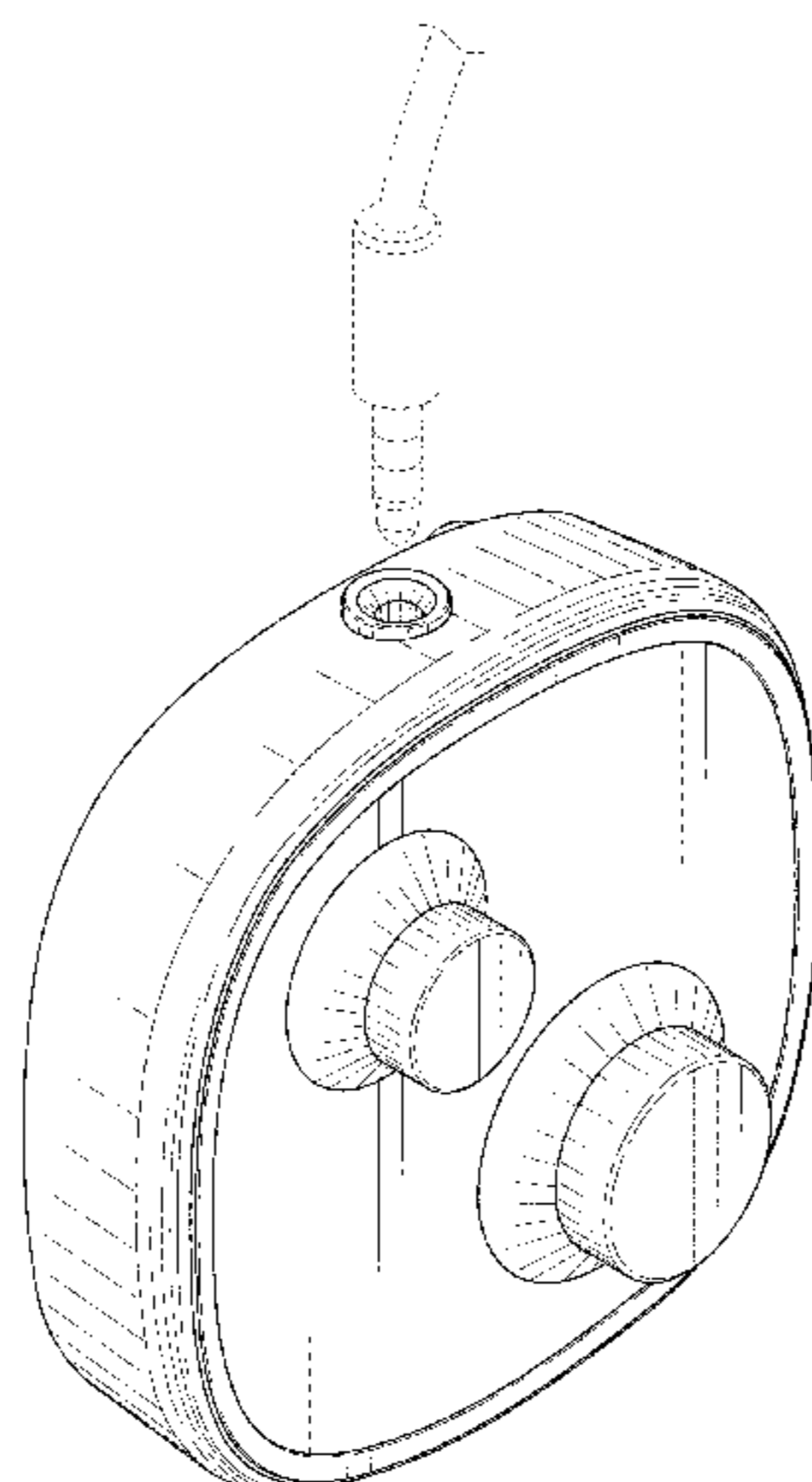
(57) **CLAIM**

The ornamental design for a receiver, as shown and described.

DESCRIPTION

FIG. 1 is a perspective view of a receiver;
FIG. 2 is a front view thereof;
FIG. 3 is a back view thereof;
FIG. 4 is a first side view thereof;
FIG. 5 is a second side view thereof;
FIG. 6 is a top view thereof; and,
FIG. 7 is a bottom view thereof.
The broken lines in the drawings depict environmental subject matter only and form no part of the claimed design.

1 Claim, 3 Drawing Sheets



(56)

References Cited

U.S. PATENT DOCUMENTS

D692,784 S * 11/2013 Anderssen D10/106.92
D693,248 S * 11/2013 Anderssen D10/65
D693,249 S * 11/2013 Anderssen D10/65
D714,230 S * 9/2014 Sun D13/171
D714,288 S * 9/2014 Aumiller D14/344
D733,596 S * 7/2015 Goodner D10/70
D740,820 S * 10/2015 Templeton D14/385
D741,819 S * 10/2015 Ueno D13/171
D749,570 S * 2/2016 Lee D14/344
D754,081 S * 4/2016 Woodman D13/168
2012/0155668 A1 * 6/2012 Kam H04R 1/1083
381/71.6

OTHER PUBLICATIONS

Bluetooth Amplifier Receiver Network. aptx.com (online)
[retrieved on Jun. 23, 2016]. Retrieved from Internet: http://www.aptx.com/sites/default/files/styles/product_square_400x400/public/products/NAD%20D%207050%20Network%20Receiver%20with%20Bluetooth_1.jpg?itok=fe5RoDPW.*

* cited by examiner

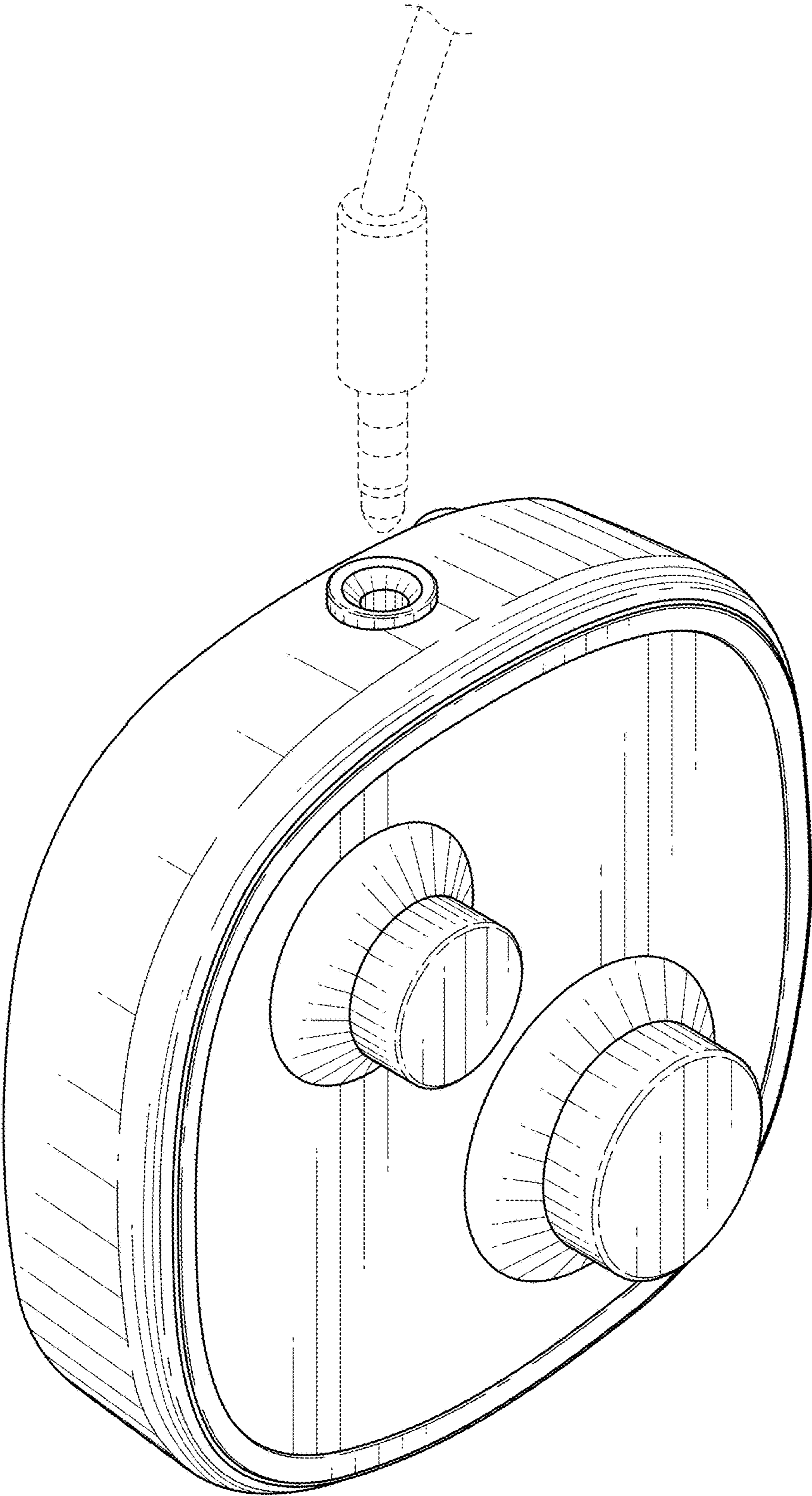


FIG. 1

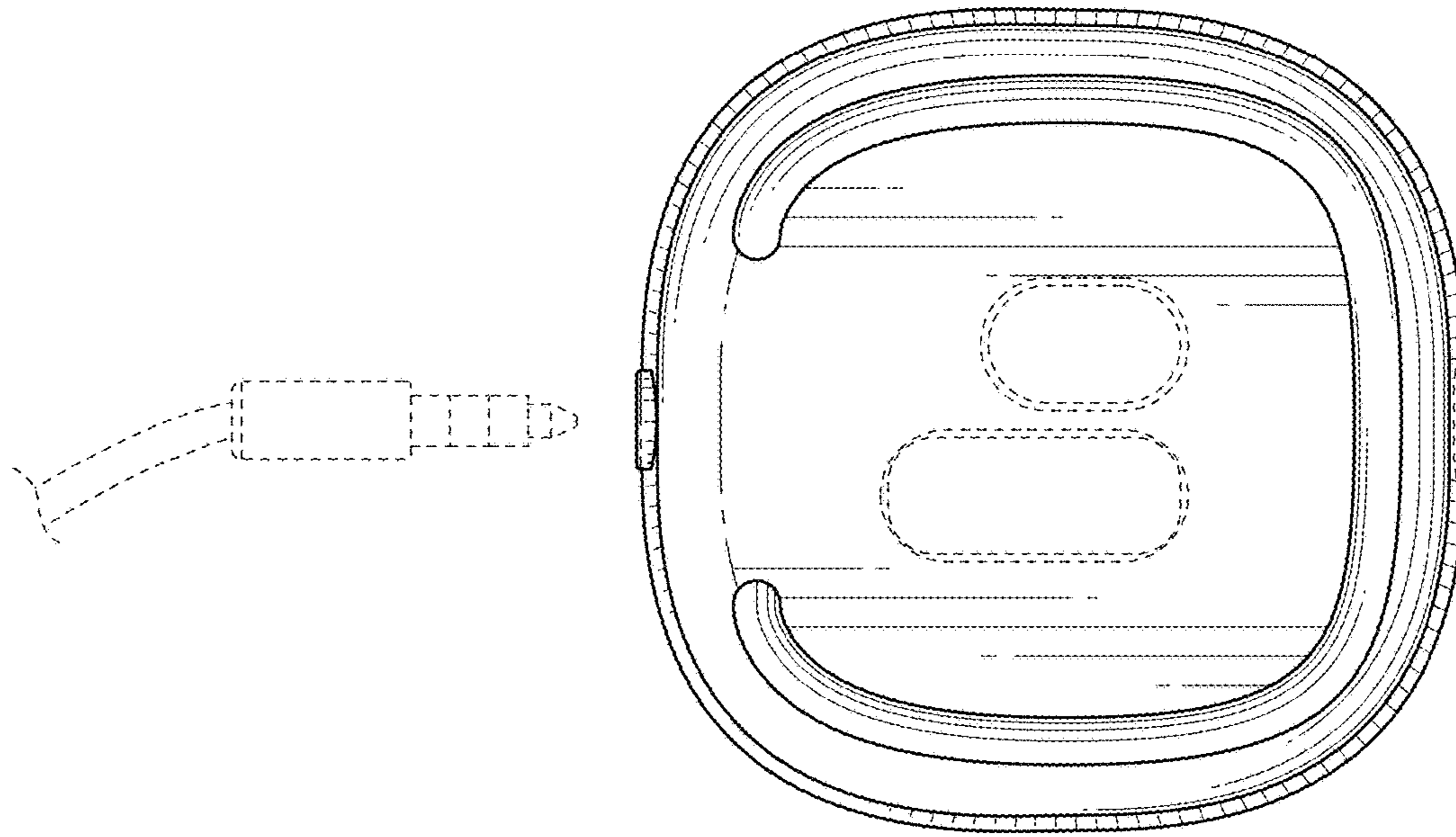


FIG. 2

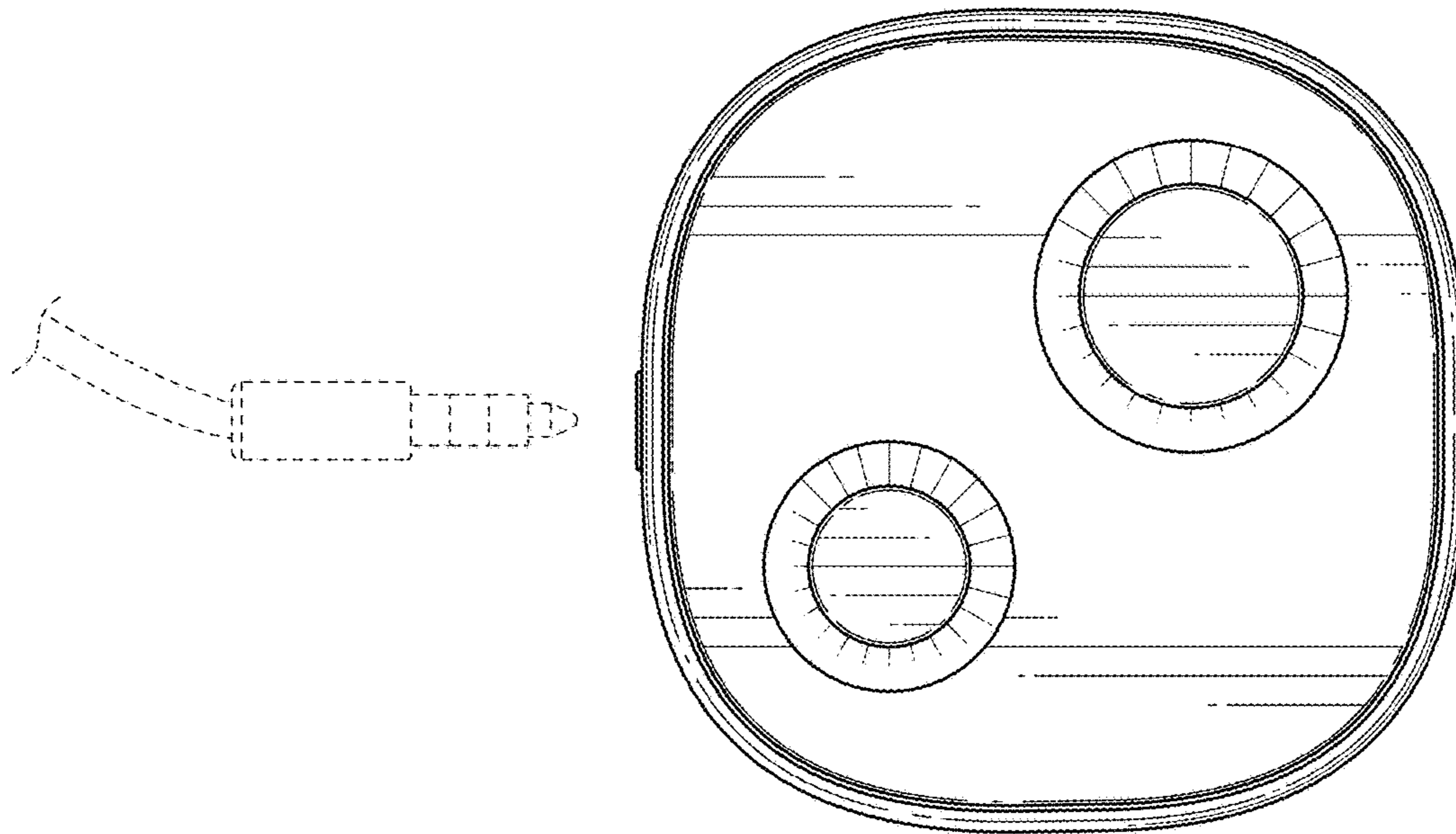


FIG. 3

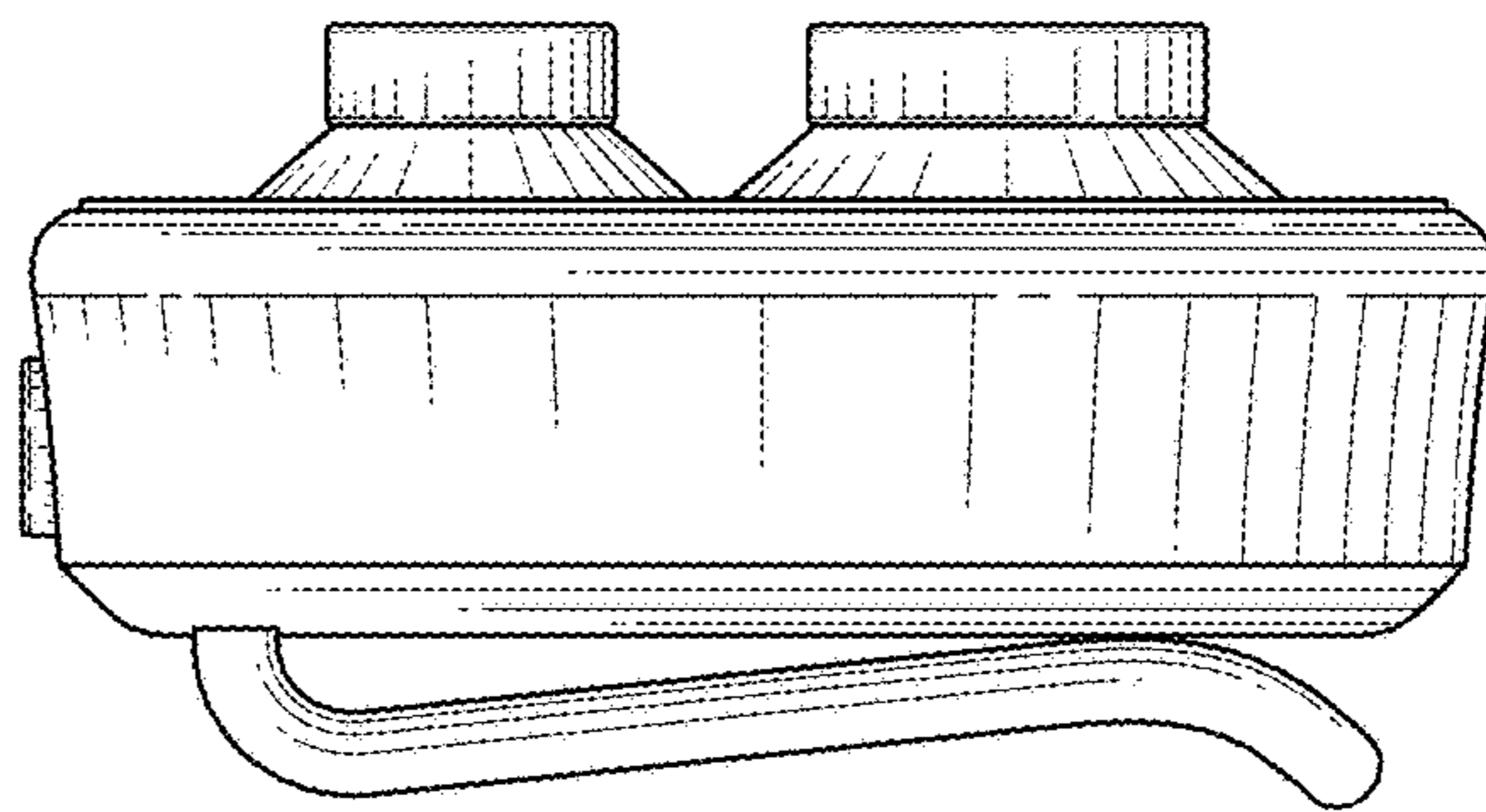
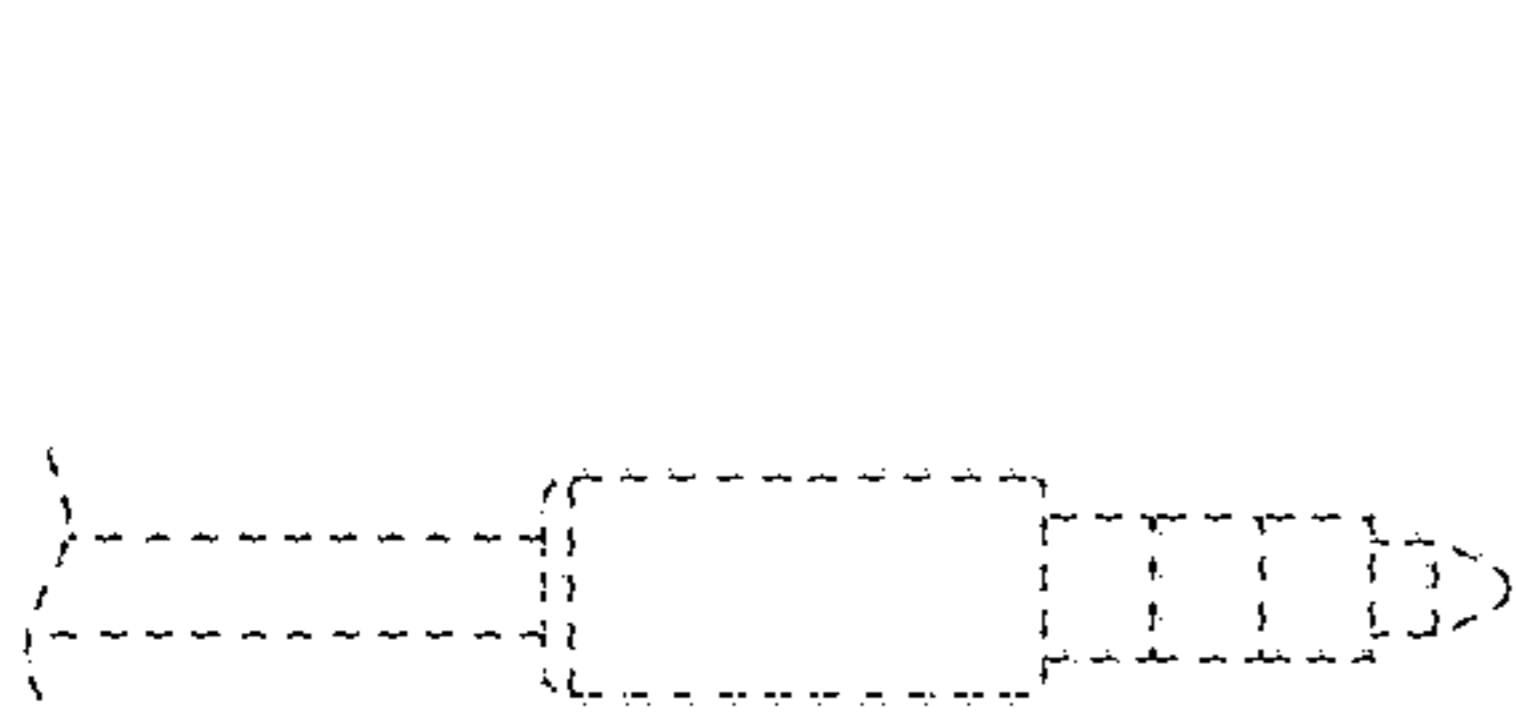


FIG. 4

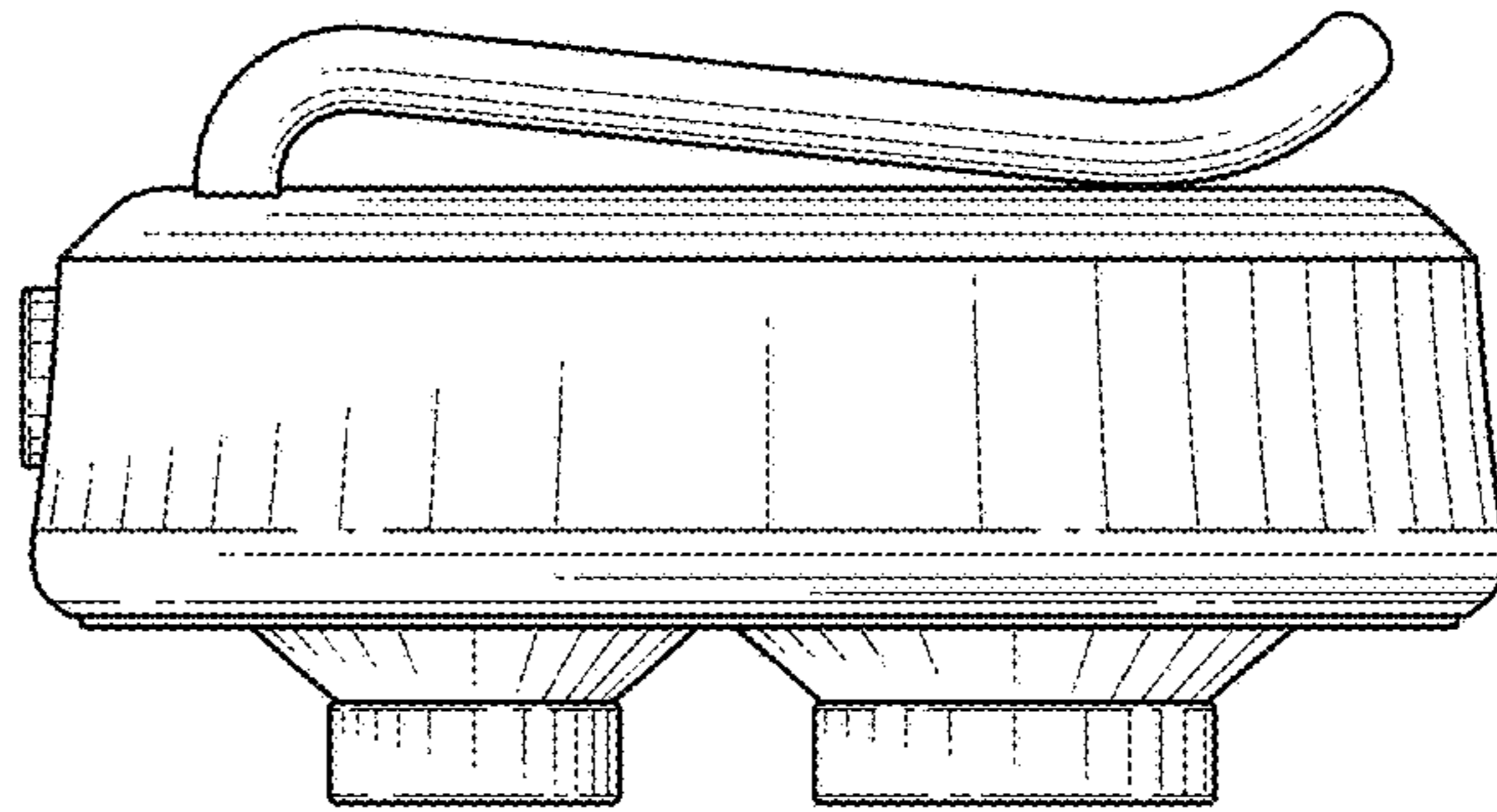


FIG. 5

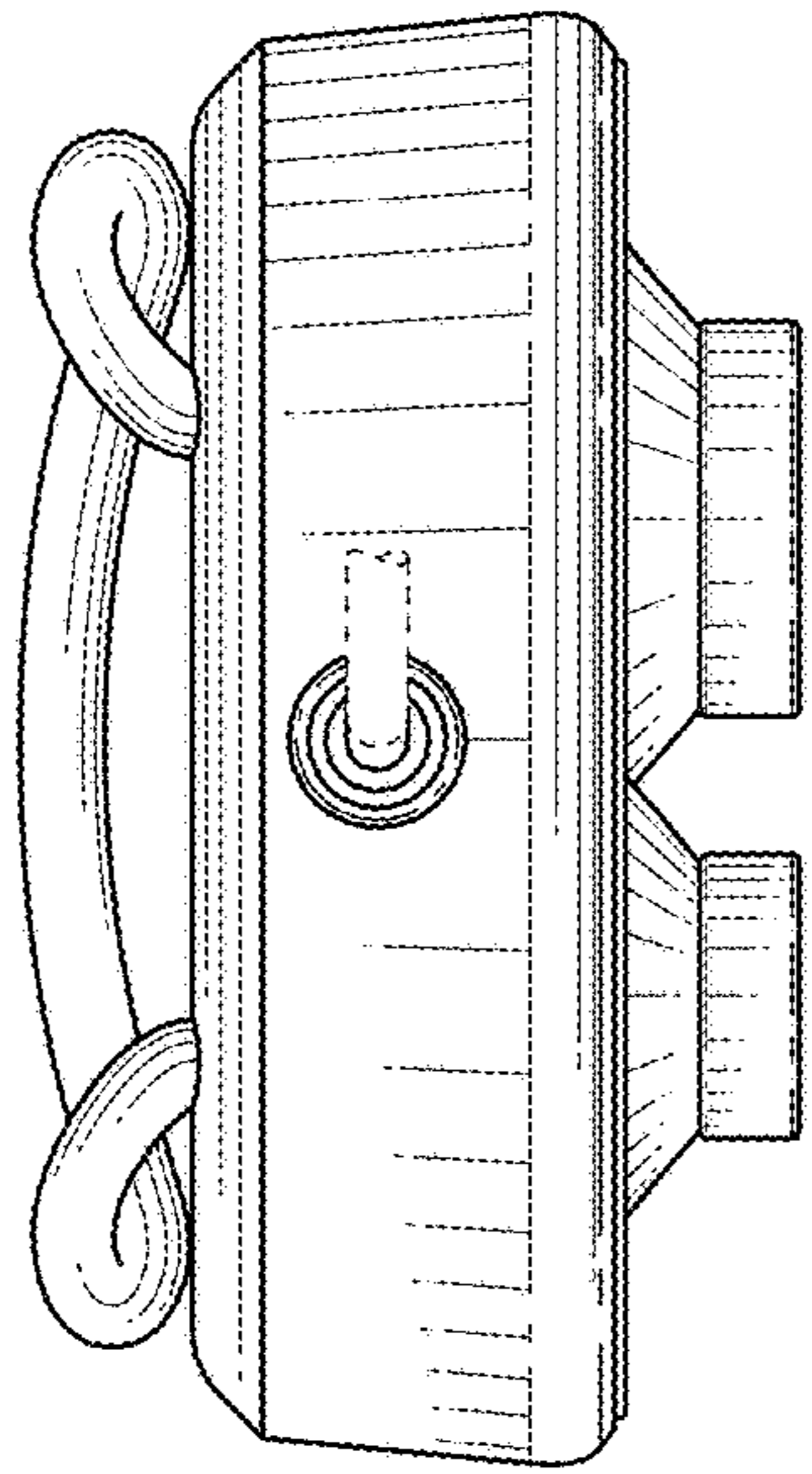


FIG. 6

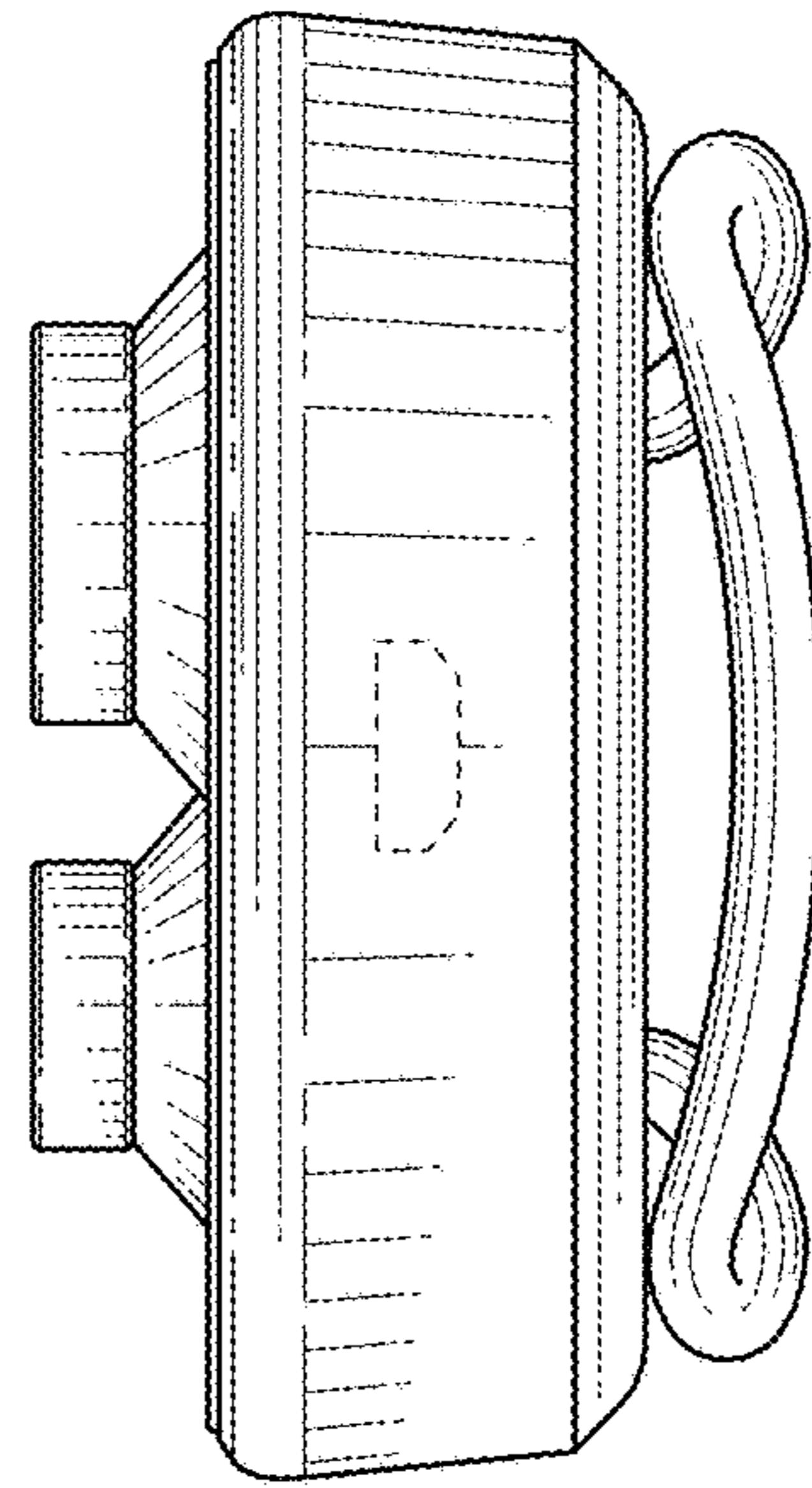


FIG. 7