



US00D772868S

(12) **United States Design Patent** (10) **Patent No.:** **US D772,868 S**
Park et al. (45) **Date of Patent:** **** Nov. 29, 2016**

(54) **WEARABLE DEVICE**

(71) Applicant: **LG ELECTRONICS INC.**, Seoul (KR)

(72) Inventors: **Seala Park**, Seoul (KR); **Seongjae Lim**, Seoul (KR)

(73) Assignee: **LG ELECTRONICS INC.**, Seoul (KR)

(**) Term: **15 Years**

(21) Appl. No.: **29/535,619**

(22) Filed: **Aug. 7, 2015**

(30) **Foreign Application Priority Data**

Feb. 9, 2015 (KR) 30-2015-0006879

(51) **LOC (10) Cl.** **14-02**

(52) **U.S. Cl.**
USPC **D14/344**; D10/39; D10/70; D10/98;
D24/167; D24/186

(58) **Field of Classification Search**
USPC D10/30, 31, 32, 33, 34, 35, 36, 37, 38,
D10/39, 65, 70, 78, 97, 98; D11/3;
D14/138 R, 203.5, 203.6, 341, 344,
D14/347; D24/167, 168, 186
CPC A44C 5/00-5/16; G04B 37/00-37/228;
G04B 45/0069; G04B 47/04; G04B
19/00-19/34; G04B 21/12; G04B 23/12;
G04B 47/00-47/068; G01C 17/00; G01C
21/00-21/3697

See application file for complete search history.

(56) **References Cited**

U.S. PATENT DOCUMENTS

D719,125 S *	12/2014	Choi	D14/344
D740,704 S *	10/2015	Park	D10/38
D741,206 S *	10/2015	Lim	D10/38
D742,260 S *	11/2015	Park	D10/30
D743,282 S *	11/2015	Park	D10/30
D746,815 S *	1/2016	Lim	D10/38
D746,816 S *	1/2016	Lim	D10/38
D756,240 S *	5/2016	Register	D10/30
D759,507 S *	6/2016	Bonadei	D10/128

* cited by examiner

Primary Examiner — Antoine D Davis

(74) *Attorney, Agent, or Firm* — Birch, Stewart, Kolasch & Birch, LLP

(57) **CLAIM**

The ornamental design for a wearable device, as shown and described.

DESCRIPTION

FIG. 1 is a perspective view of a wearable device showing our new design;
FIG. 2 is a front view thereof;
FIG. 3 is a rear view thereof;
FIG. 4 is a left side view thereof;
FIG. 5 is a right side view thereof;
FIG. 6 is a top plan view thereof; and,
FIG. 7 is a bottom plan view thereof.
The broken lines depict portions of the wearable device that form no part of the claimed design.

1 Claim, 7 Drawing Sheets

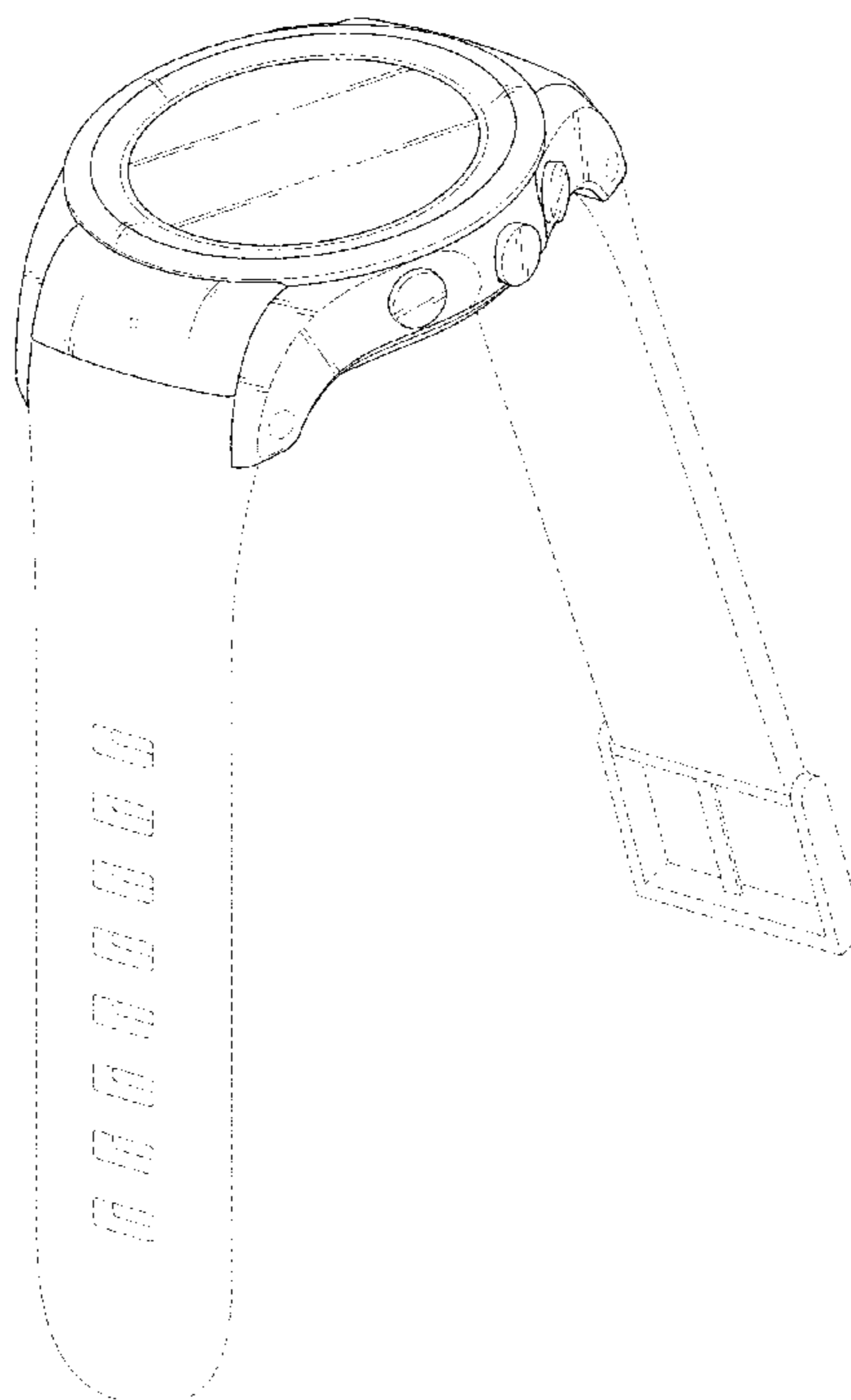


FIG. 1

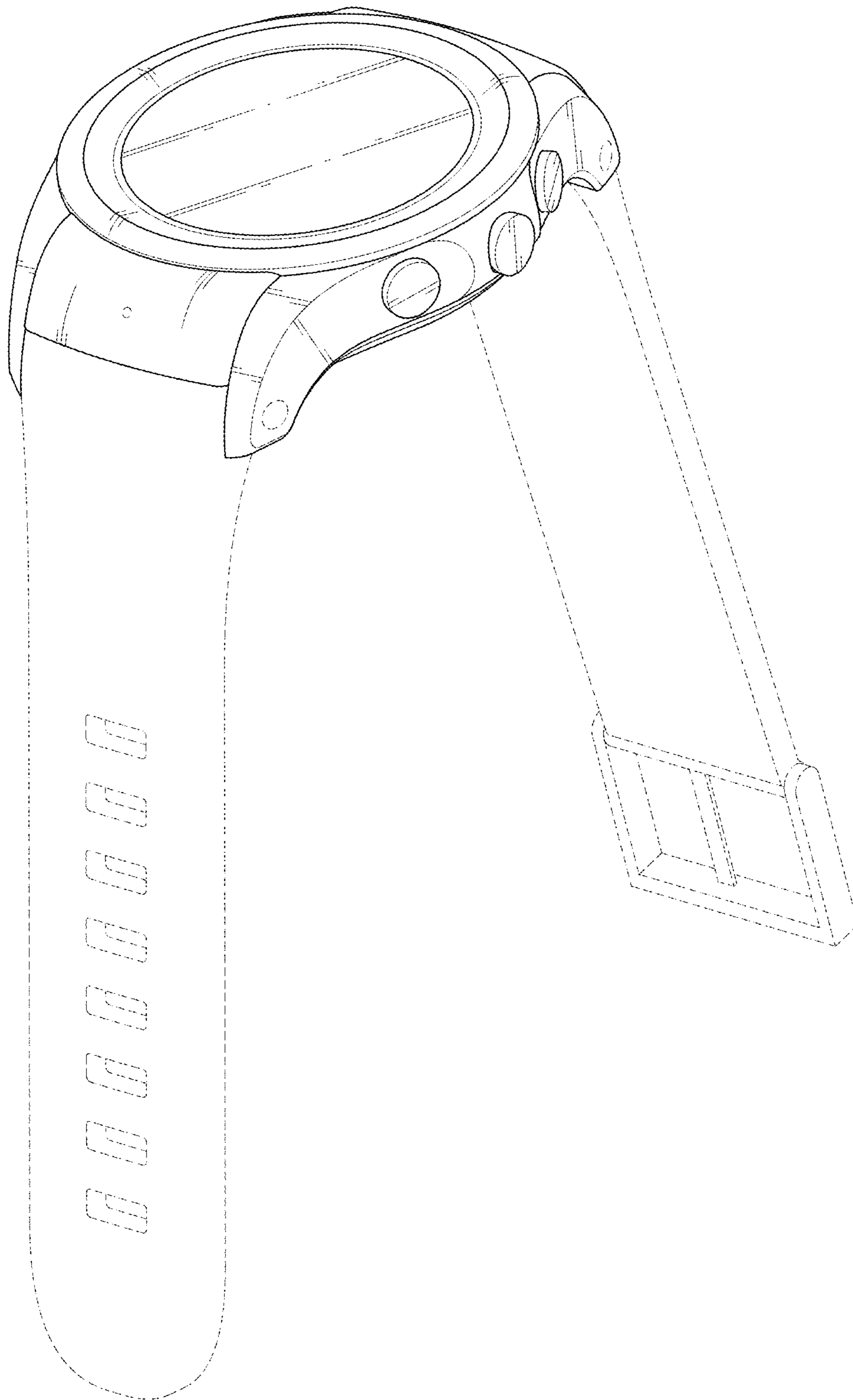


FIG. 2

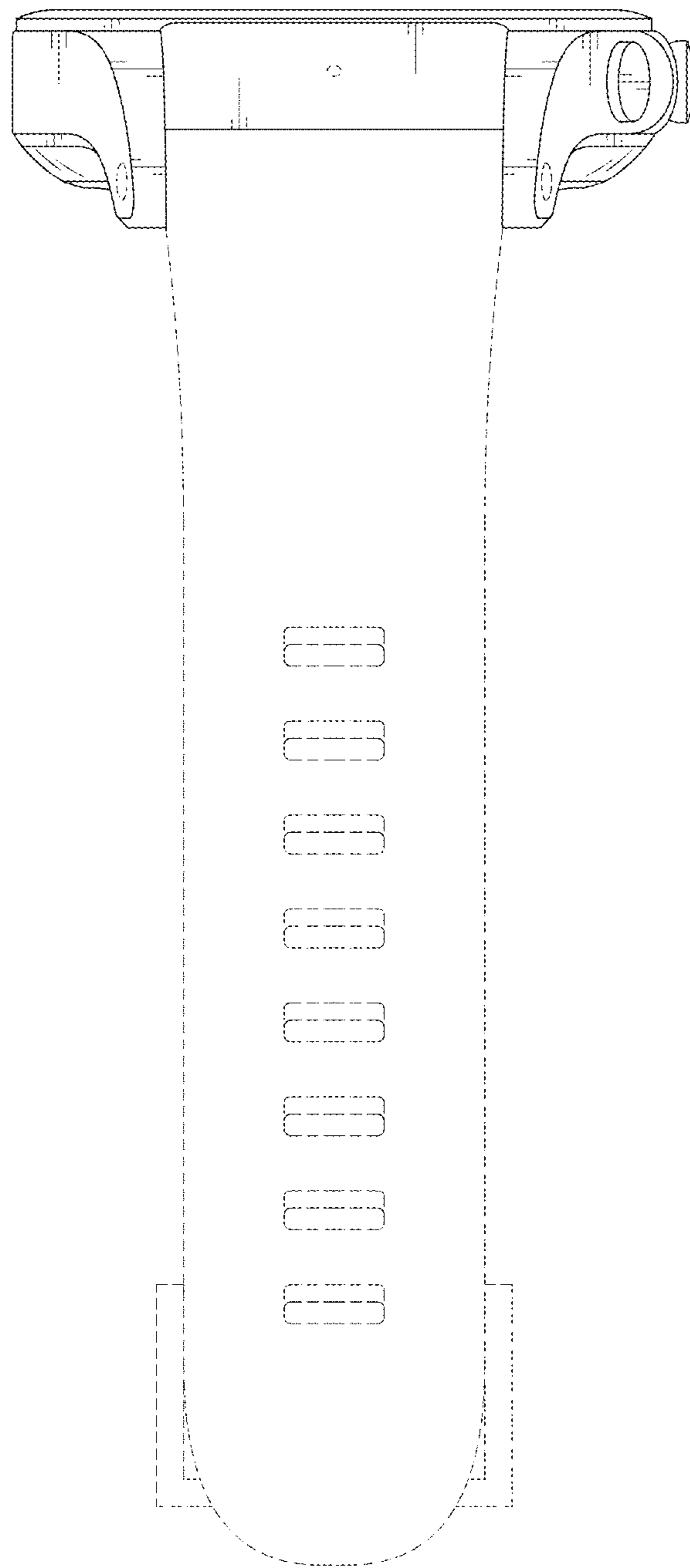


FIG. 3

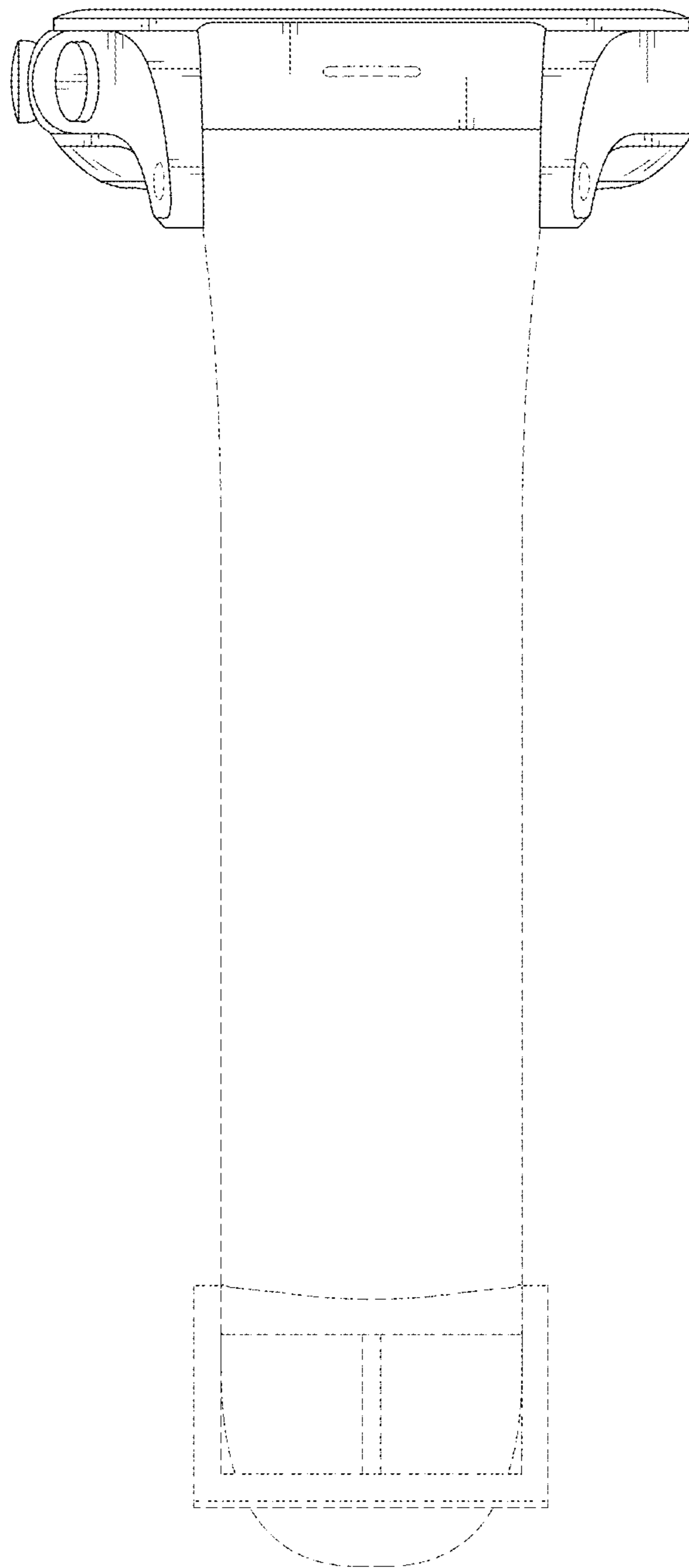


FIG. 4

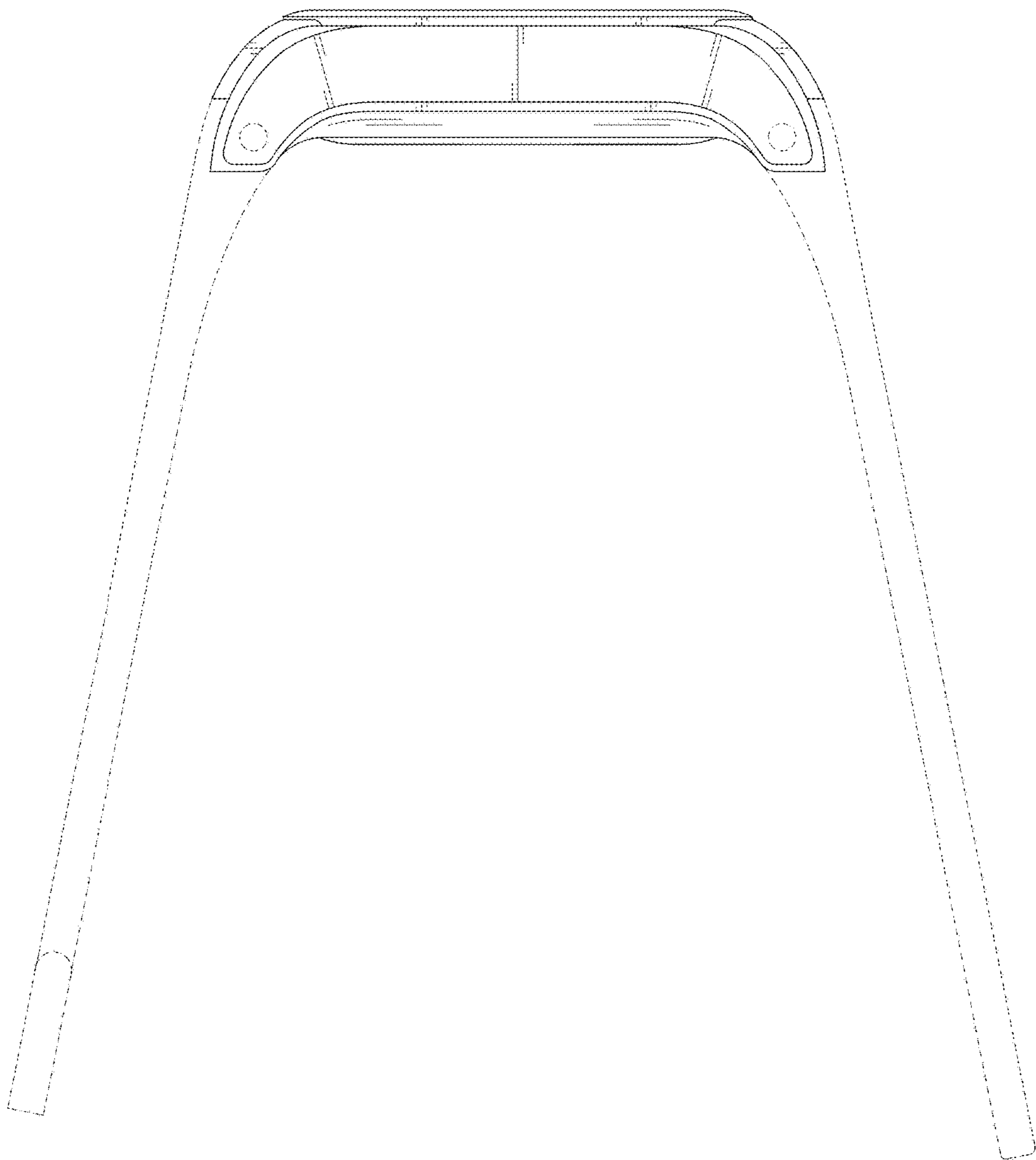


FIG. 5

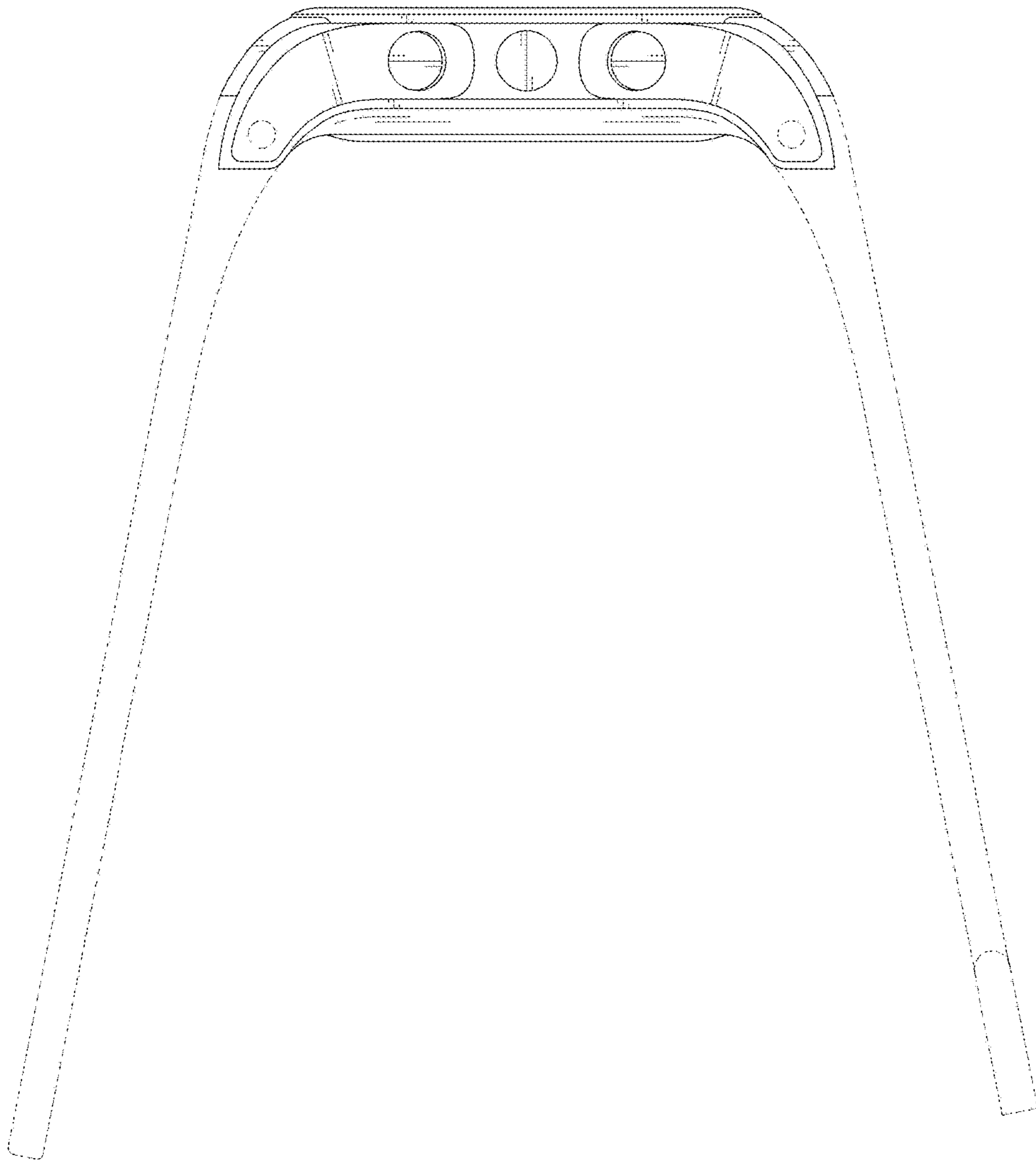


FIG. 6

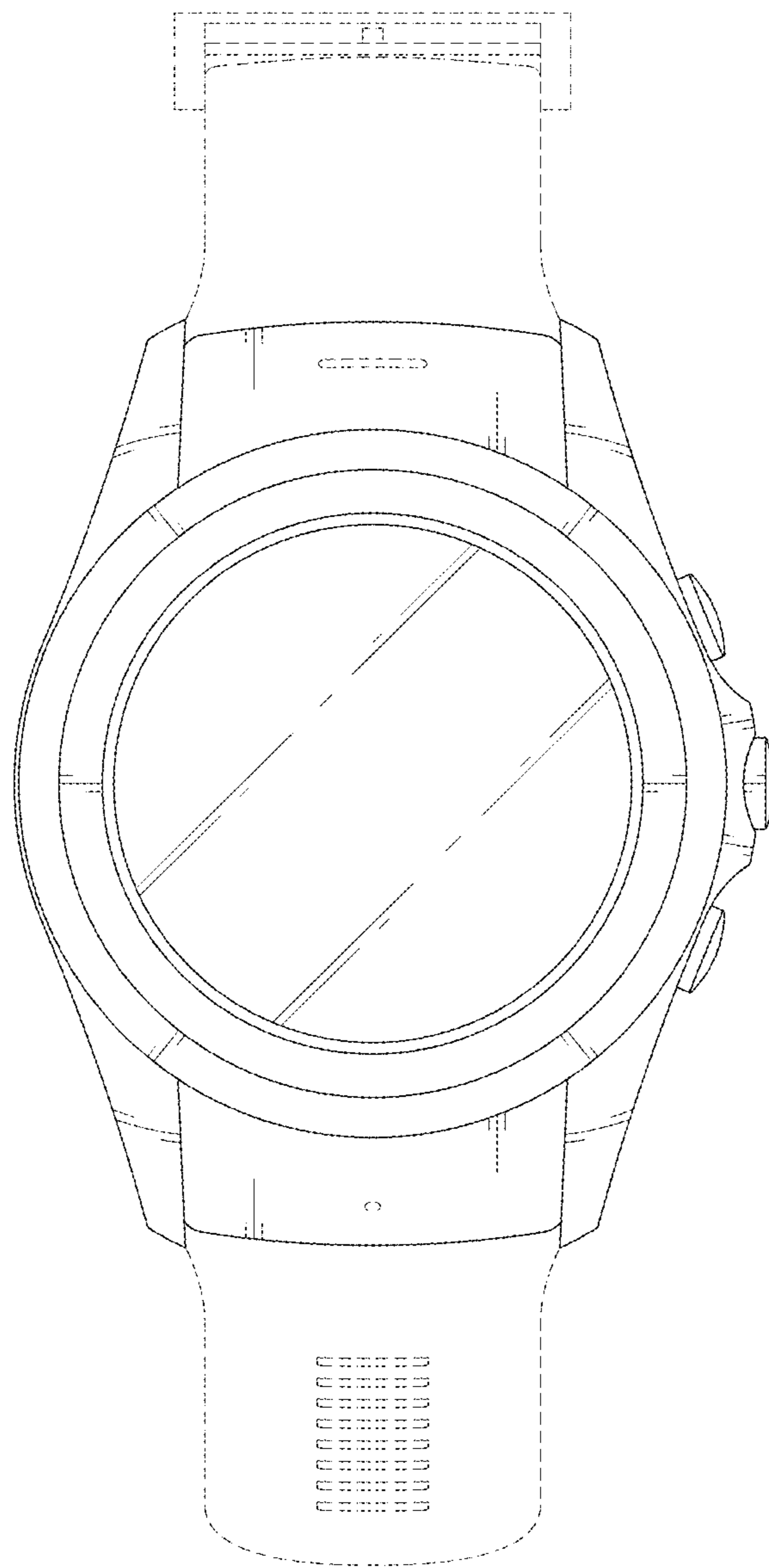


FIG. 7

