



US00D772866S

(12) **United States Design Patent** (10) **Patent No.:** **US D772,866 S**
Park et al. (45) **Date of Patent:** **** Nov. 29, 2016**

(54) **WEARABLE DEVICE**

G04B 47/00-47/068; G01C 17/00; G01C 21/00-21/3697

(71) Applicant: **LG ELECTRONICS INC.**, Seoul (KR)

See application file for complete search history.

(72) Inventors: **Soonhyun Park**, Seoul (KR);
Cheolwoong Shin, Seoul (KR);
Hongsik Kim, Seoul (KR); **Jinki Min**,
Seoul (KR); **Seunghwan Song**, Seoul
(KR); **Byunghyun Yi**, Seoul (KR);
Jiyoun Cha, Seoul (KR)

(56) **References Cited**

U.S. PATENT DOCUMENTS

D714,288 S *	9/2014	Aumiller	D14/344
D724,047 S *	3/2015	Kim	D10/38
D725,497 S *	3/2015	Henne	D10/38
D726,680 S *	4/2015	Kim	D10/37

* cited by examiner

Primary Examiner — Antoine D Davis

(73) Assignee: **LG ELECTRONICS INC.**, Seoul (KR)

(74) *Attorney, Agent, or Firm* — Birch, Stewart, Kolasch & Birch, LLP

(**) Term: **15 Years**

(21) Appl. No.: **29/534,900**

(57) **CLAIM**

The ornamental design for a wearable device, as shown and described.

(22) Filed: **Jul. 31, 2015**

(30) **Foreign Application Priority Data**

DESCRIPTION

Feb. 3, 2015 (KR) 30-2015-0005934

(51) **LOC (10) Cl.** **14-02**

(52) **U.S. Cl.**
USPC **D14/344**; D10/38; D10/70; D10/98

(58) **Field of Classification Search**
USPC D10/30-39, 65, 70, 78, 97, 98; D11/3;
D14/138 R, 203.5, 203.6, 341, 344,
D14/347; D24/167, 168, 186
CPC A44C 5/00-5/16; G04B 37/00-37/228;
G04B 45/00069; G04B 47/04; G04B
19/00-19/34; G04B 21/12; G04B 23/12;

FIG. 1 is a perspective view of a wearable device showing our new design;

FIG. 2 is a front view thereof where the rear view is a mirror image;

FIG. 3 is a left side view thereof;

FIG. 4 is a right side view thereof;

FIG. 5 is a top plan view thereof; and,

FIG. 6 is a bottom plan view thereof.

The broken lines depict portions of the wearable device that form no part of the claimed design.

1 Claim, 6 Drawing Sheets

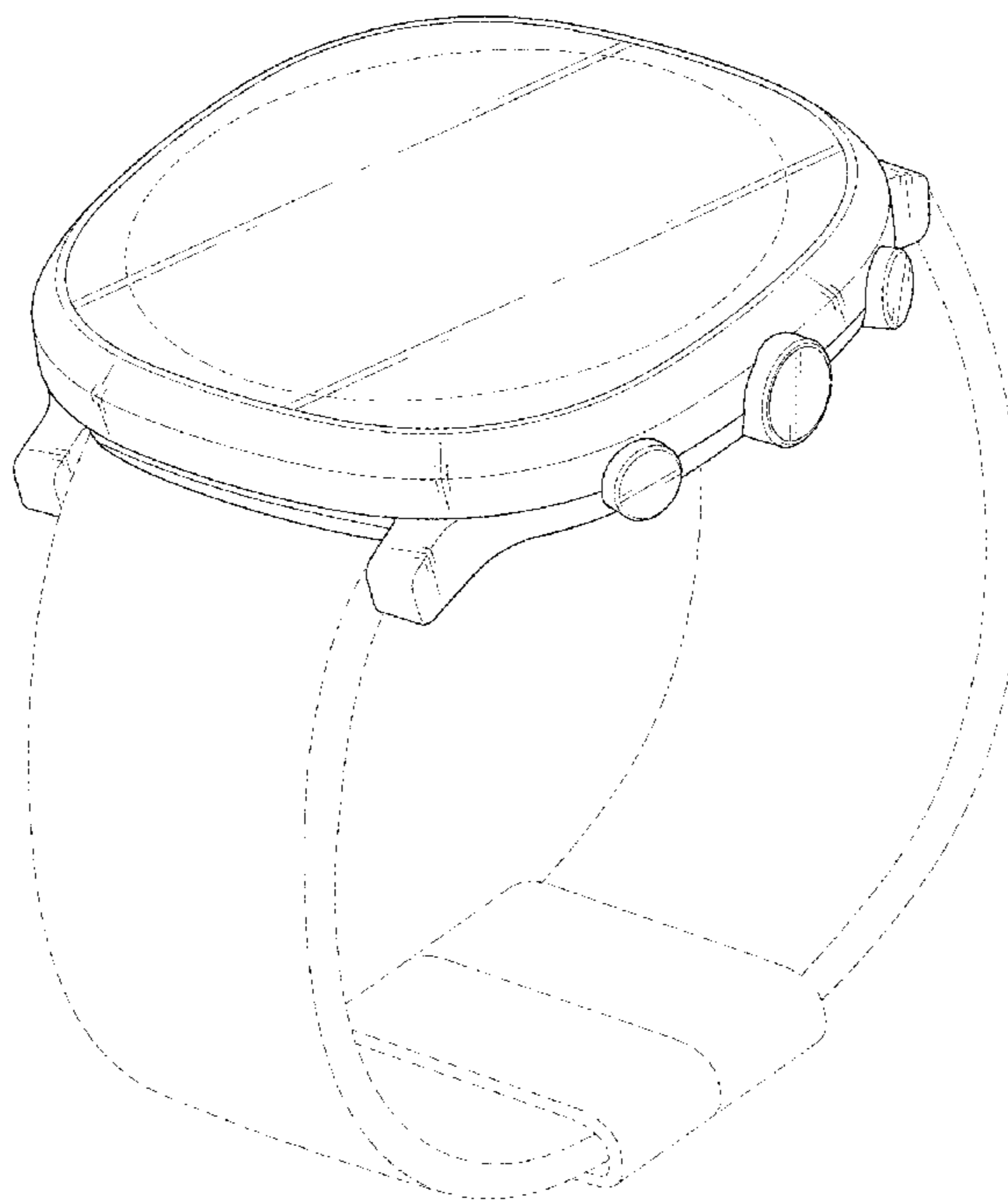


FIG. 1

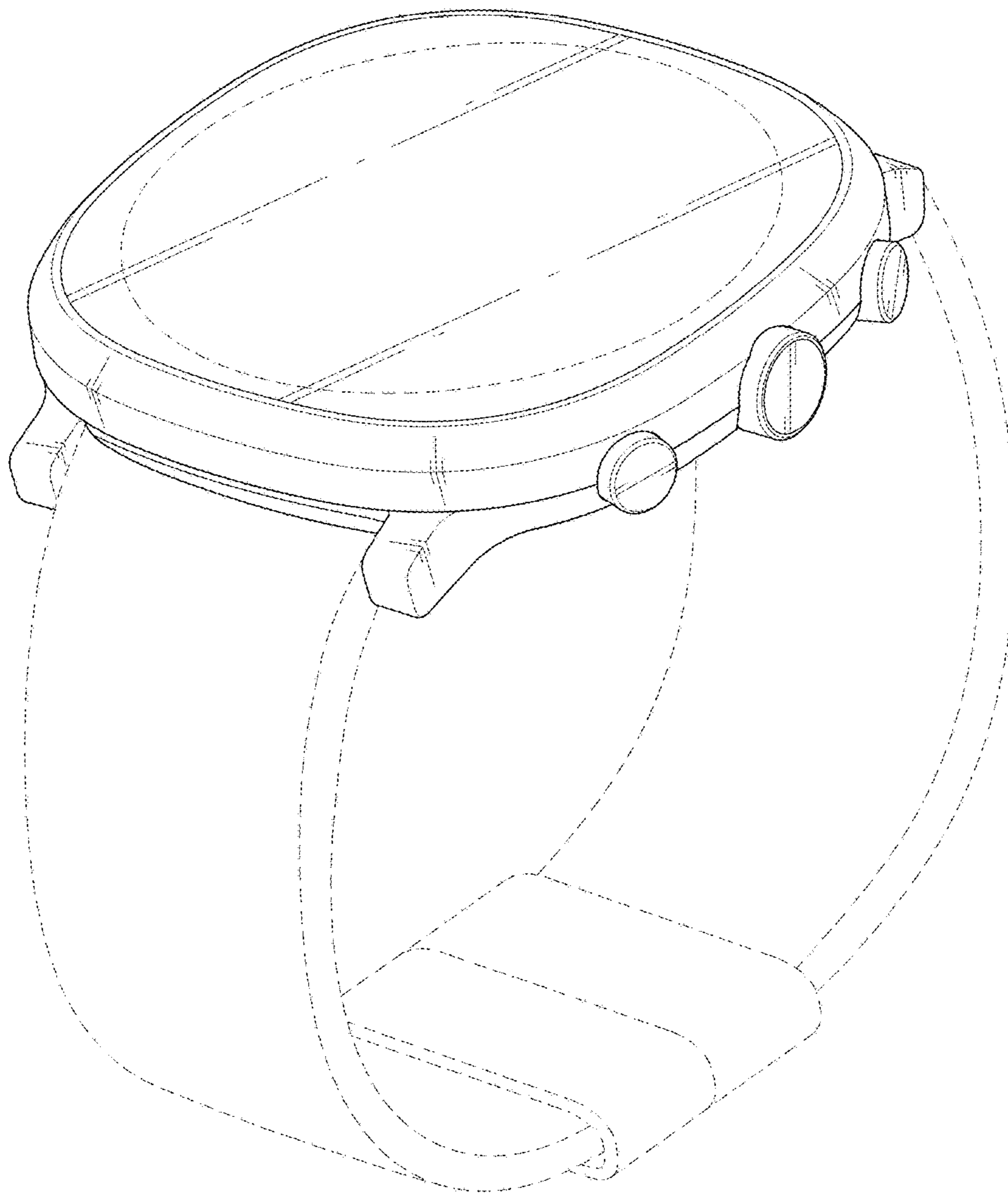


FIG. 2

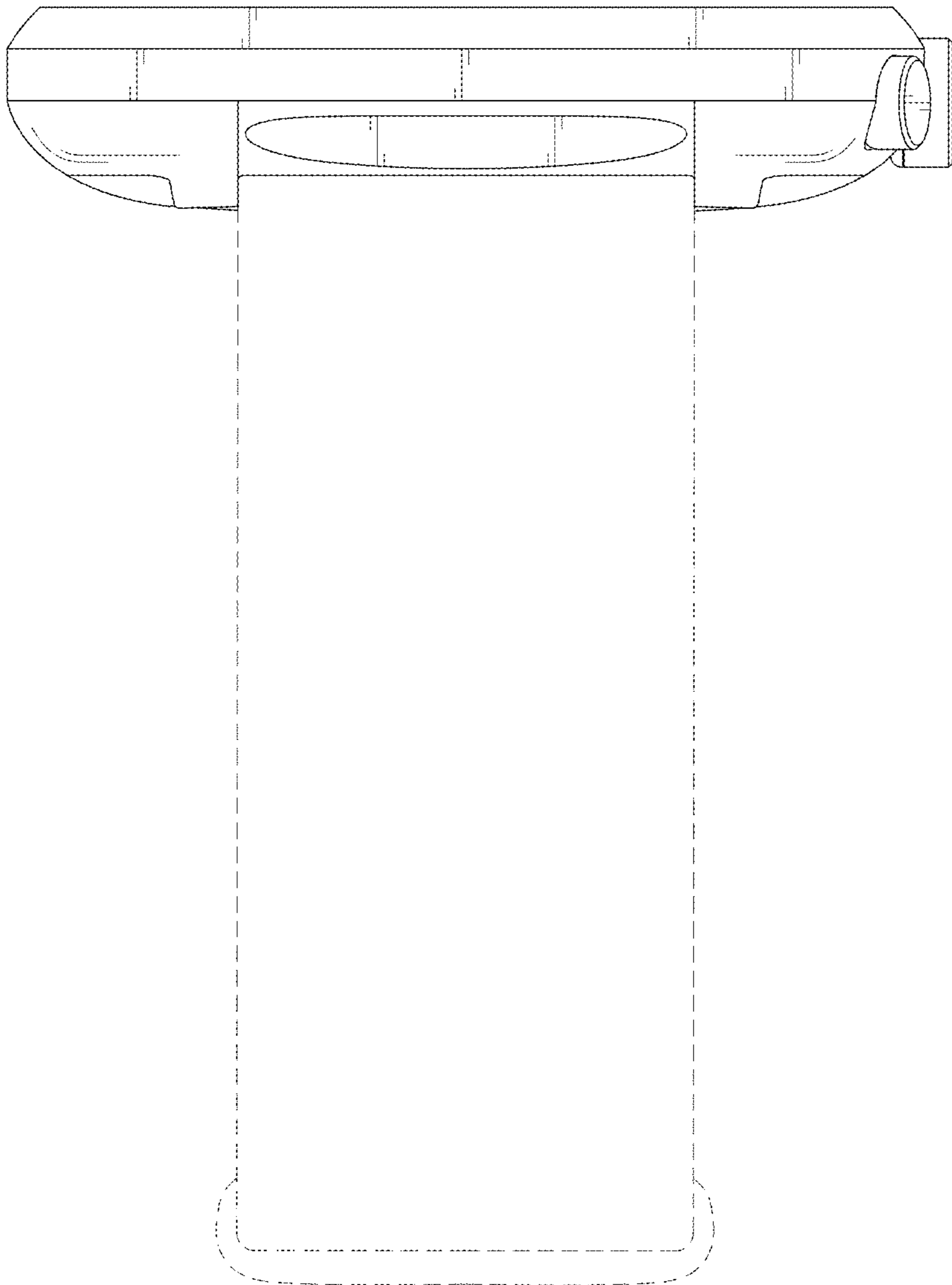


FIG. 3

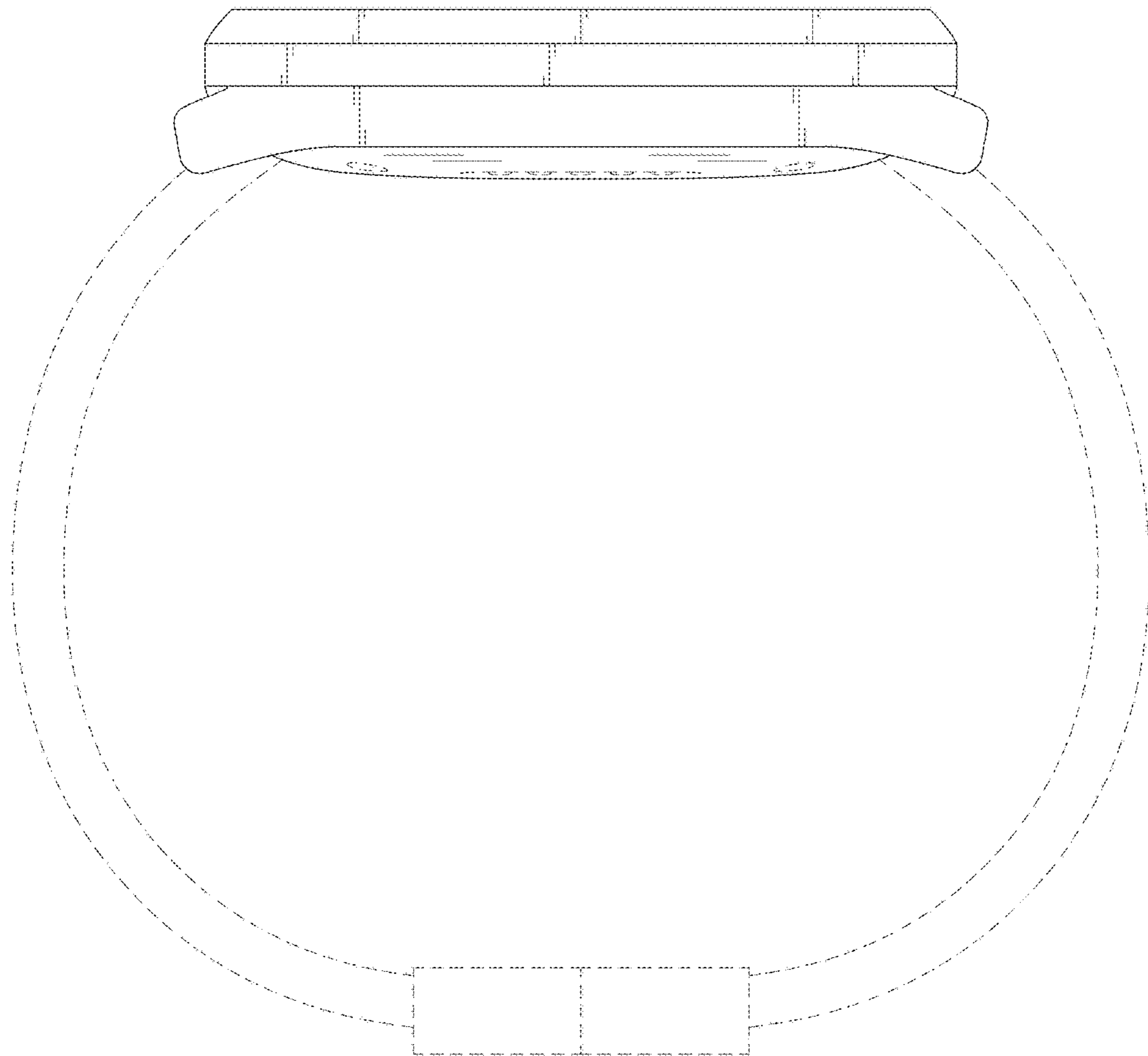


FIG. 4

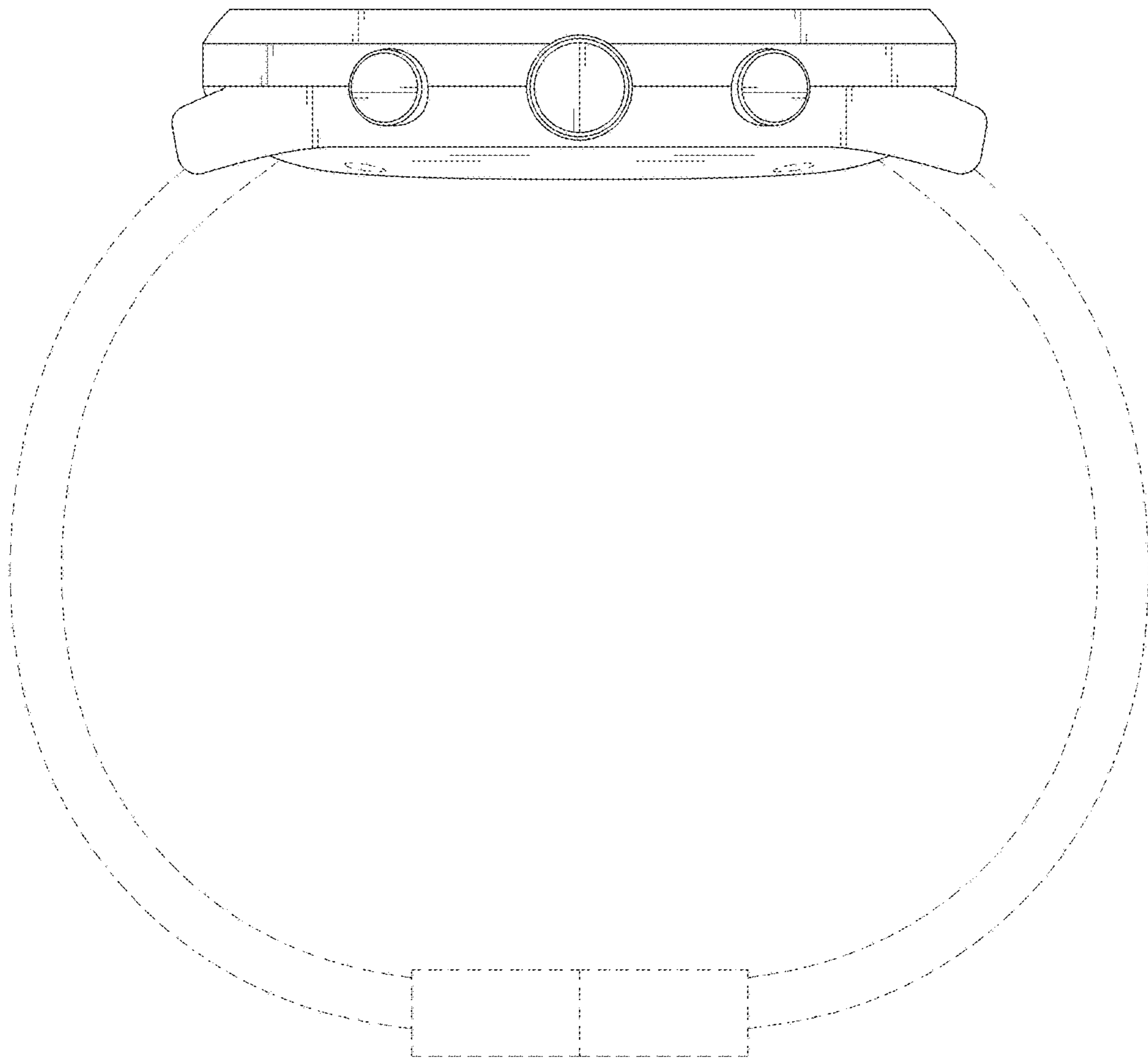


FIG. 5

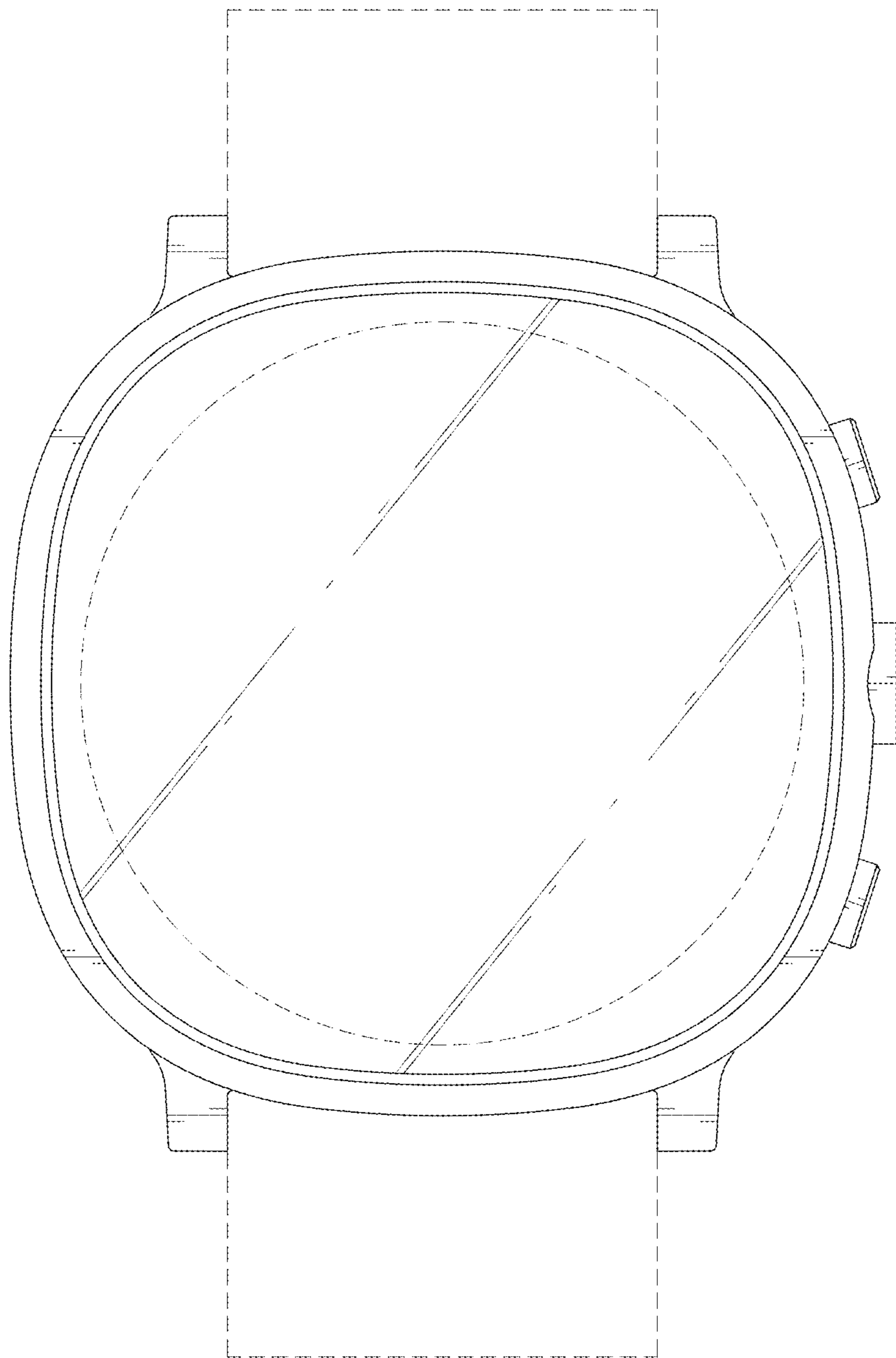


FIG. 6

