

US00D772864S

(12) **United States Design Patent**  
**Musch et al.**

(10) **Patent No.:** **US D772,864 S**  
(45) **Date of Patent:** **\*\* Nov. 29, 2016**

- (54) **TABLET COMPUTER**
- (71) Applicant: **Trimble Navigation Limited**,  
Sunnyvale, CA (US)
- (72) Inventors: **Jonathan David Musch**, Albany, OR  
(US); **Gareth Todd Gibson**,  
Christchurch (NZ); **Gerald Walter  
Steiger**, Corvallis, OR (US); **Sam  
Chen**, Taipei (TW); **Oliver Chen**,  
Taipei (TW)
- (73) Assignee: **Trimble Navigation Limited**,  
Sunnyvale, CA (US)
- (\*\*) Term: **14 Years**
- (21) Appl. No.: **29/520,772**
- (22) Filed: **Mar. 17, 2015**
- (51) **LOC (10) Cl.** ..... **14-02**
- (52) **U.S. Cl.**  
USPC ..... **D14/341**
- (58) **Field of Classification Search**  
USPC ..... D14/341-347, 137, 138 R, 138 AA,  
D14/138 AB, 138 C, 138 G, 203.1, 203.3,  
D14/203.4, 203.7, 129, 130, 147, 218, 247,  
D14/248, 332, 388, 389, 315-318, 420, 426,  
D14/429, 489, 492, 496; D10/50, 65, 104.1;  
D21/324, 329, 330, 332; D18/6, 7  
CPC .. G06F 1/1613; G06F 1/1647; G06F 1/1641;  
G06F 3/04883; G06F 3/0486; G06F 3/04847;  
G06F 3/04845; G06F 3/04817; G06F 3/0484;  
H04M 1/0279; H04M 1/0281; H04M 1/0283;  
A63H 33/3016  
See application file for complete search history.

D617,322 S *	6/2010	Takemasa	.....	D14/346
D672,767 S *	12/2012	Yoneya	.....	D14/341
D676,043 S *	2/2013	Hirose	.....	D14/341
D687,822 S *	8/2013	Growney	.....	D14/341
D688,240 S *	8/2013	Wesolek	.....	D14/341
D693,054 S *	11/2013	Verleur	.....	D27/189
D698,786 S *	2/2014	Jondrow	.....	D14/341
D701,203 S *	3/2014	Katori	.....	D14/341
D703,663 S *	4/2014	Piraud	.....	D14/341
D703,665 S *	4/2014	Suzuki	.....	D14/341
D710,350 S *	8/2014	Steiger	.....	D14/341
D743,392 S *	11/2015	Ju	.....	D14/341
D746,278 S *	12/2015	Chen	.....	D14/341
D756,526 S *	5/2016	Ho	.....	D24/200

**OTHER PUBLICATIONS**

Trimble Kenai, announced Jan. 2016 [online], [site visited Jul. 20, 2016]. Available from Internet, URL:<[http://ruggedpcreview.com/3\\_slates\\_trimble\\_kenai.html](http://ruggedpcreview.com/3_slates_trimble_kenai.html)>.\*

\* cited by examiner

*Primary Examiner* — Barbara Fox  
*Assistant Examiner* — Dana K Weiland

(74) *Attorney, Agent, or Firm* — Kilpatrick Townsend & Stockton LLP

(57) **CLAIM**

The ornamental design for a tablet computer, as shown and described.

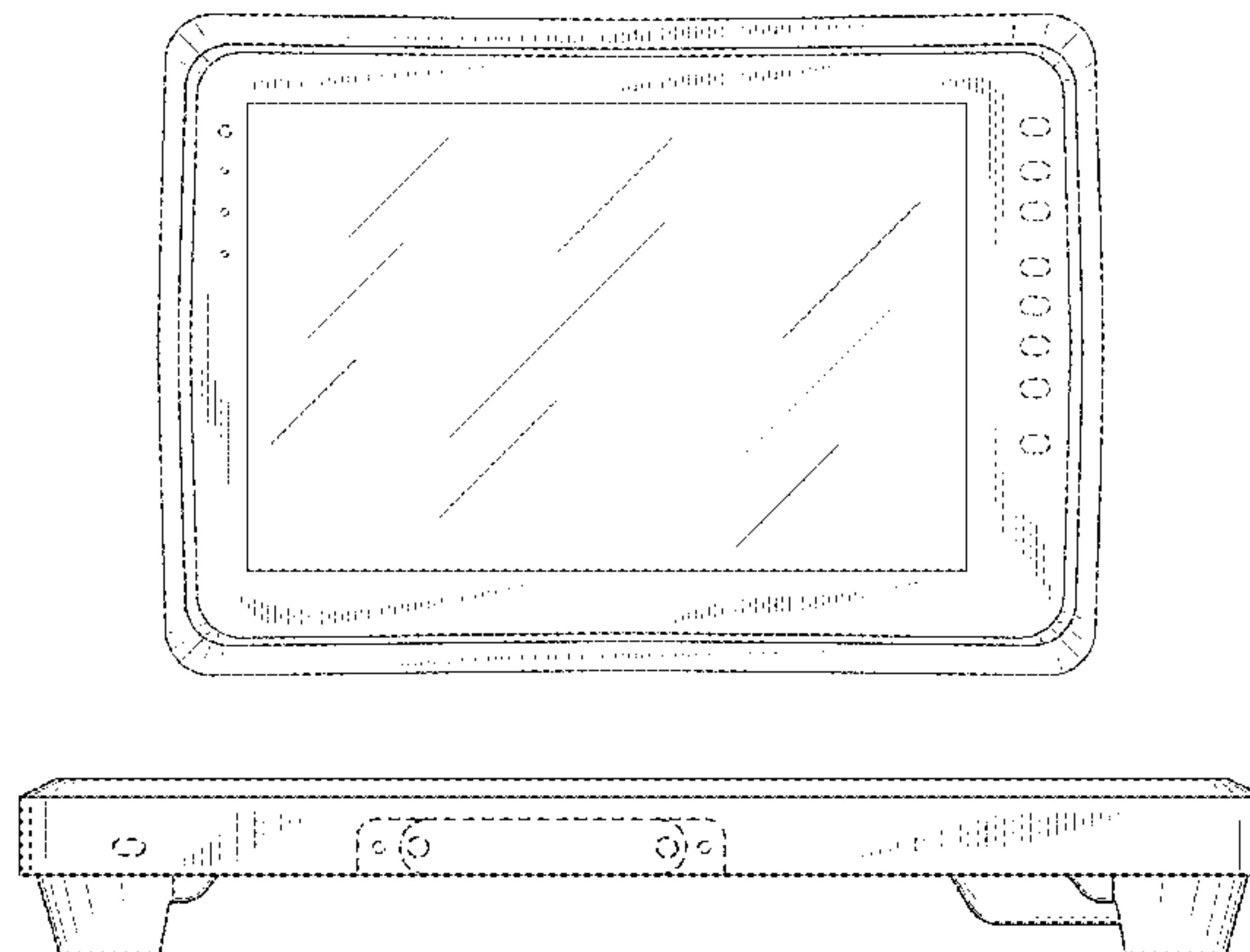
**DESCRIPTION**

FIG. 1 is a perspective view of a tablet computer showing the new design;  
FIG. 2 is a top plan view thereof;  
FIG. 3 is a bottom plan view thereof;  
FIG. 4 is a front elevational view thereof;  
FIG. 5 is a rear elevational view thereof;  
FIG. 6 is a right side elevational view thereof; and,  
FIG. 7 is a left side elevational view thereof.  
The broken lines shown in the drawings illustrate portions of the tablet computer that form no part of the claimed design.

**1 Claim, 3 Drawing Sheets**

(56) **References Cited**  
U.S. PATENT DOCUMENTS

D491,560 S *	6/2004	Hsu Li	.....	D14/371
D511,756 S *	11/2005	Matsuoka	.....	D14/132
D571,235 S *	6/2008	Stevens	.....	D10/65
D592,083 S *	5/2009	Stevens	.....	D10/65



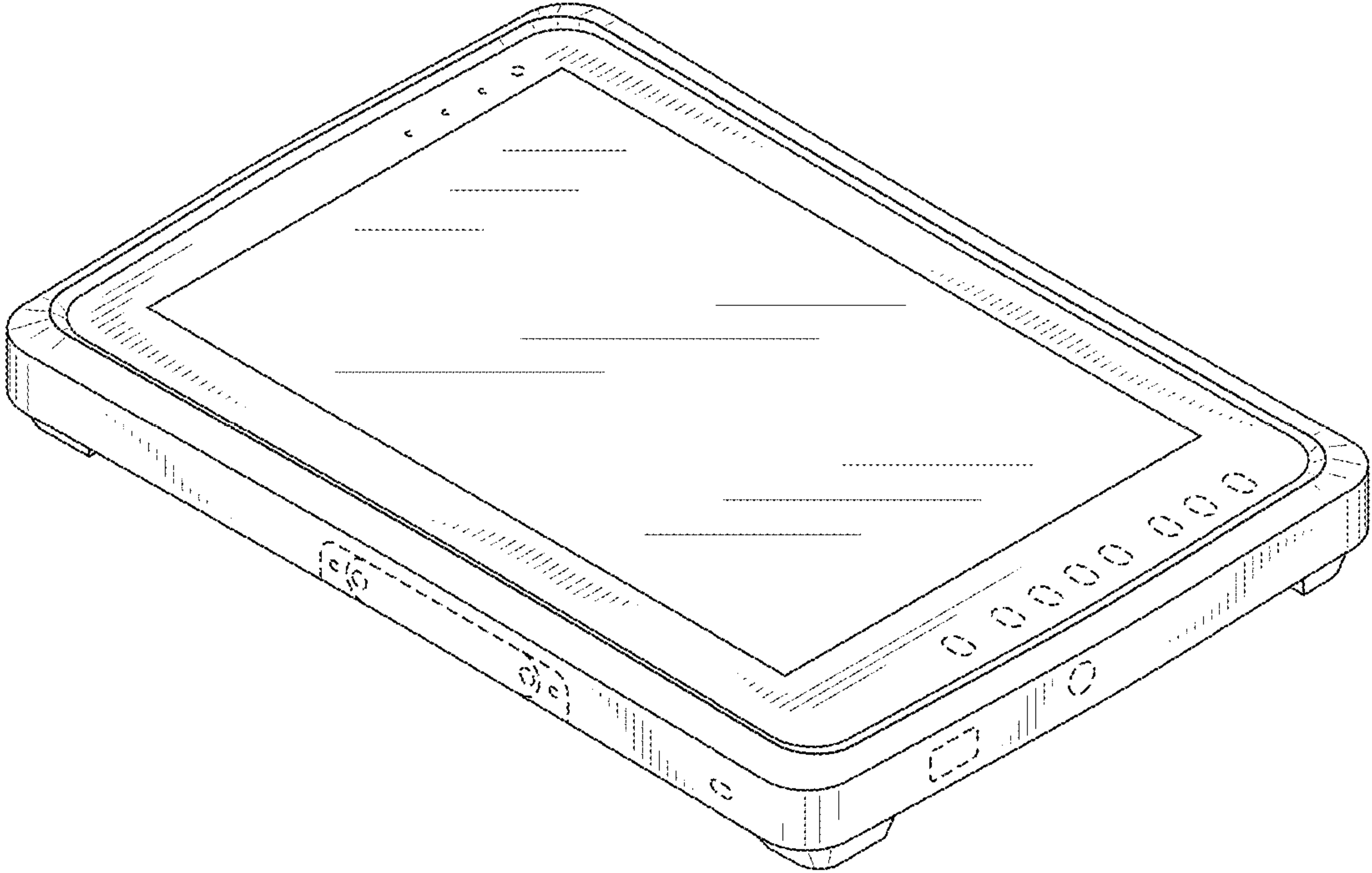


FIG. 1

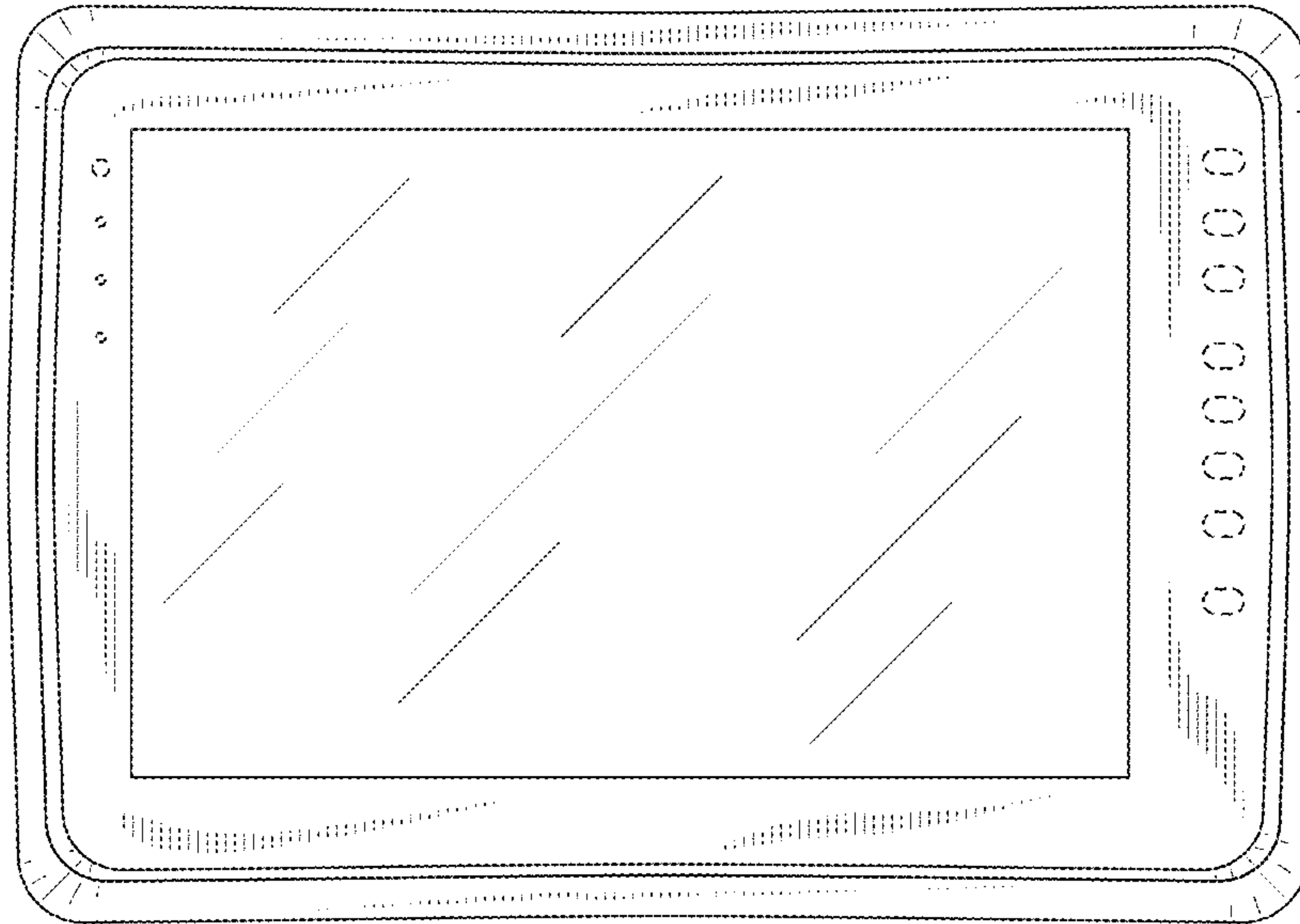


FIG. 2

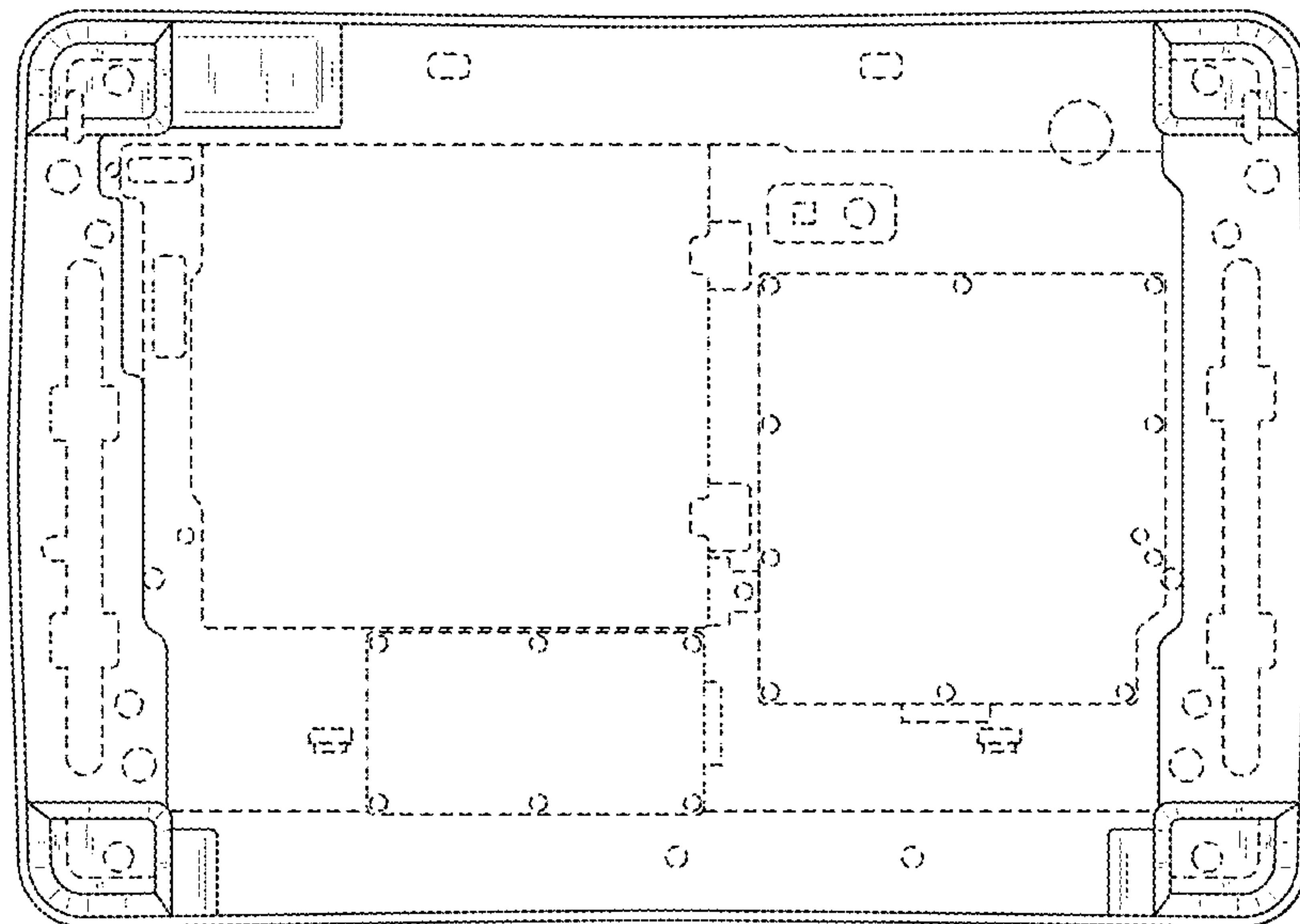


FIG. 3

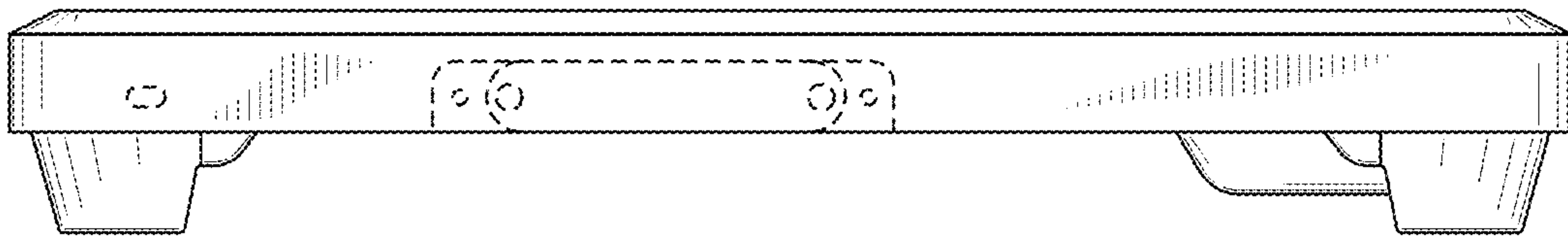


FIG. 4

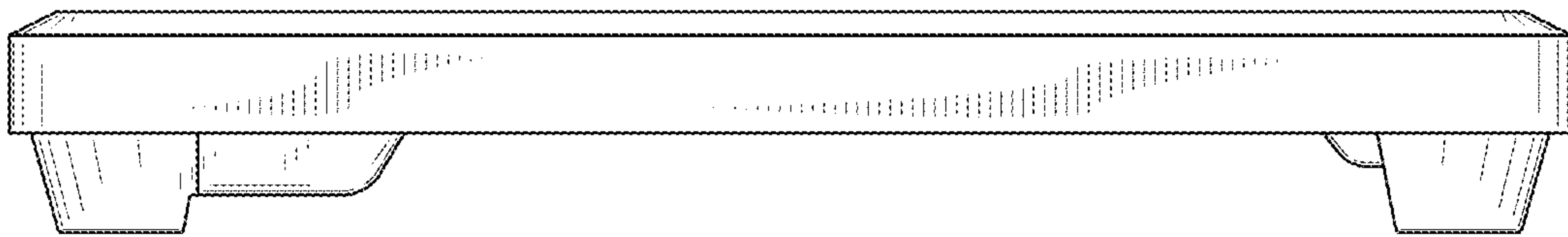


FIG. 5

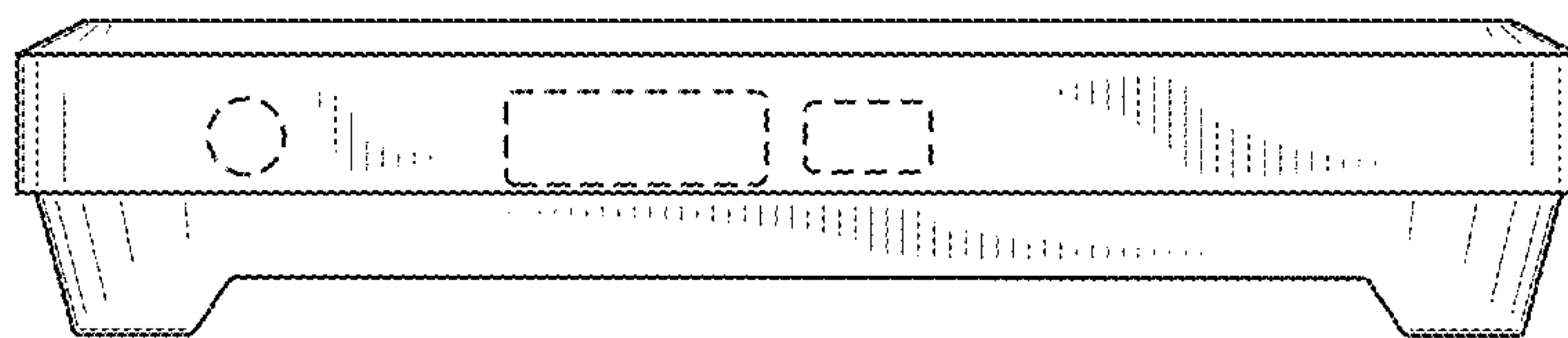


FIG. 6

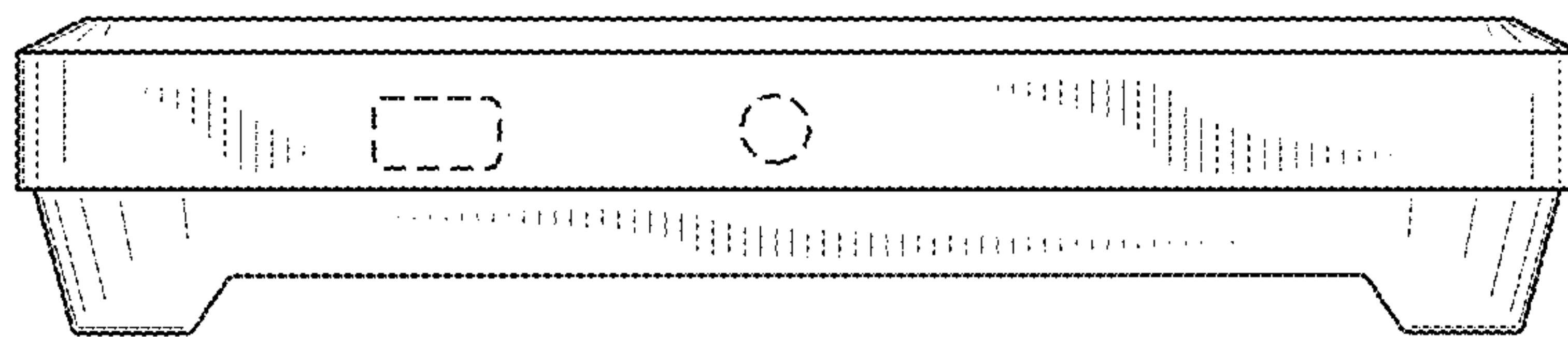


FIG. 7