



US00D772862S

(12) **United States Design Patent**
Kwong et al.

(10) **Patent No.:** **US D772,862 S**
(45) **Date of Patent:** **** Nov. 29, 2016**

(54) **ELECTRONIC DEVICE WITH
CONVERTIBLE TOUCHSCREEN**

7,239,505 B2 * 7/2007 Keely G06F 1/1616
361/679.09

(Continued)

(71) Applicant: **Intel Corporation**, Santa Clara, CA
(US)

FOREIGN PATENT DOCUMENTS

(72) Inventors: **Wah Yiu Kwong**, Beaverton, OR (US);
Hong W. Wong, Portland, OR (US);
Christine Kim, Hillsboro, OR (US)

WO WO 2014-029020 A1 2/2014
WO WO 2014-101098 A1 7/2014
WO WO 2016/048564 A1 3/2016

(73) Assignee: **Intel Corporation**, Santa Clara, CA
(US)

OTHER PUBLICATIONS

(**) Term: **14 Years**

USPTO Jul. 9, 2015 Nonfinal Rejection in U.S. Appl. No.
14/497,624, 13 pages.

(Continued)

(21) Appl. No.: **29/513,122**

Primary Examiner — Freda S Nunn

(22) Filed: **Dec. 26, 2014**

(74) *Attorney, Agent, or Firm* — Patent Capital Group

(51) **LOC (10) Cl.** **14-02**

(52) **U.S. Cl.**
USPC **D14/316**

(58) **Field of Classification Search**
USPC D14/315-327; D18/1, 2, 7, 11;
235/145 A, 145 R; 341/22, 23; 345/104,
345/156, 168, 169, 173; 361/679.08,
361/679.09, 679.11, 679.26, 679.27
CPC G06F 1/16; G06F 1/1616; G06F 1/1626;
G06F 1/1632; G06F 1/1613; G06F 1/1601;
G06F 1/1618; G06F 1/162; H01R 35/02;
H03M 11/00; G09B 13/04; H03K 17/94;
G09G 5/00; F16M 11/10; H05K 5/00;
H04M 1/0237
See application file for complete search history.

(57) **CLAIM**

The ornamental design for an electronic device with con-
vertible touchscreen, as shown and described.

DESCRIPTION

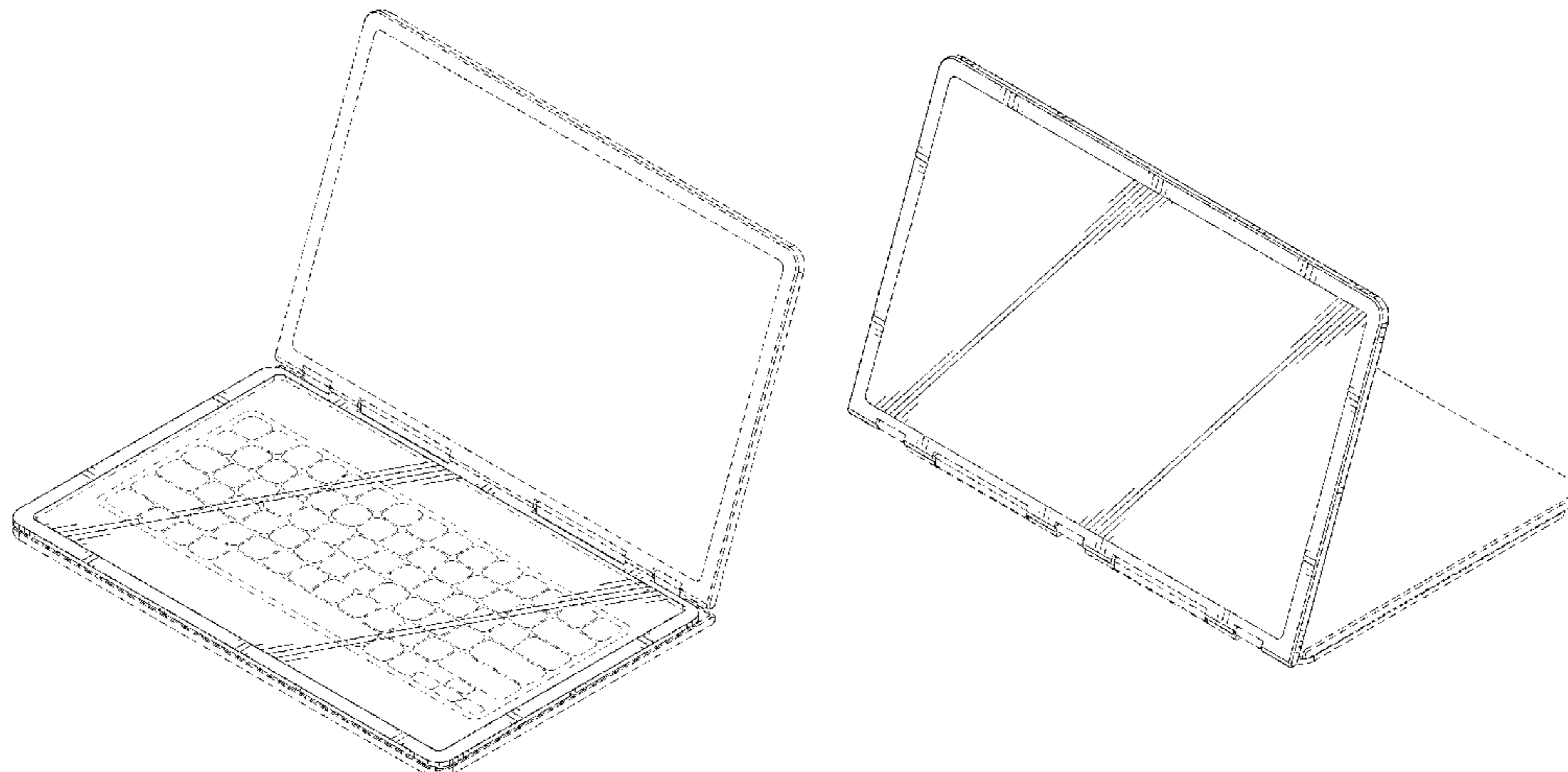
FIG. 1 is a perspective view of an electronic device with
convertible touchscreen shown in a closed position;
FIG. 2 is a front view thereof;
FIG. 3 is a back view thereof;
FIG. 4 is a side view thereof;
FIG. 5 is another side view thereof;
FIG. 6 is a top view thereof;
FIG. 7 is a bottom view thereof;
FIG. 8 is a perspective view thereof, shown in an opened
position;
FIG. 9 is a perspective view thereof, wherein the screen is
shown in an alternate position;
FIG. 10 is a perspective view thereof showing interchange-
able keyboards; and,
FIG. 11 is another perspective view thereof.
The broken lines shown in the FIGURES are for illustration
only and form no part of the claimed design.

(56) **References Cited**

U.S. PATENT DOCUMENTS

5,900,848 A * 5/1999 Haneda G06F 1/162
345/1.1
6,826,043 B2 * 11/2004 Chang G06F 1/162
248/913
6,829,140 B2 * 12/2004 Shimano G06F 1/162
248/919
7,164,578 B2 * 1/2007 Wang E05C 9/1875
292/102

1 Claim, 8 Drawing Sheets



(56)

References Cited

U.S. PATENT DOCUMENTS

7,639,479 B2 * 12/2009 Chuang G06F 1/162
 361/679.06
 7,690,576 B2 * 4/2010 Ladouceur H04M 1/0237
 235/472.01
 7,864,517 B2 1/2011 Miller et al.
 D708,177 S * 7/2014 Honda D14/316
 D717,791 S * 11/2014 Yun D14/316
 2003/0165048 A1 9/2003 Bamji et al.
 2004/0160736 A1 * 8/2004 Lin G06F 1/1649
 361/679.04
 2006/0038795 A1 * 2/2006 Lee E05B 65/006
 345/173
 2009/0040701 A1 * 2/2009 Lin G06F 1/1616
 361/679.27
 2010/0067181 A1 3/2010 Bair et al.
 2011/0002096 A1 1/2011 Thorson

2011/0296333 A1 12/2011 Bateman et al.
 2012/0032887 A1 2/2012 Chiu et al.
 2014/0063712 A1 3/2014 Chung et al.
 2016/0091929 A1 3/2016 Kwong et al.

OTHER PUBLICATIONS

USPTO Dec. 3, 2015 Final Rejection in U.S. Appl. No. 14/497,624, 15 pages.
 International Search Report and Written Opinion in International Application No. PCT/US2015/047045, mailed on Dec. 9, 2015, 13 pages.
 USPTO Mar. 14, 2016 Notice of Allowance in U.S. Appl. No. 14/797,624, 10 pages.
 USPTO Jul. 1, 2016 Notice of Allowance in U.S. Appl. No. 14/497,624, 11 pages.

* cited by examiner

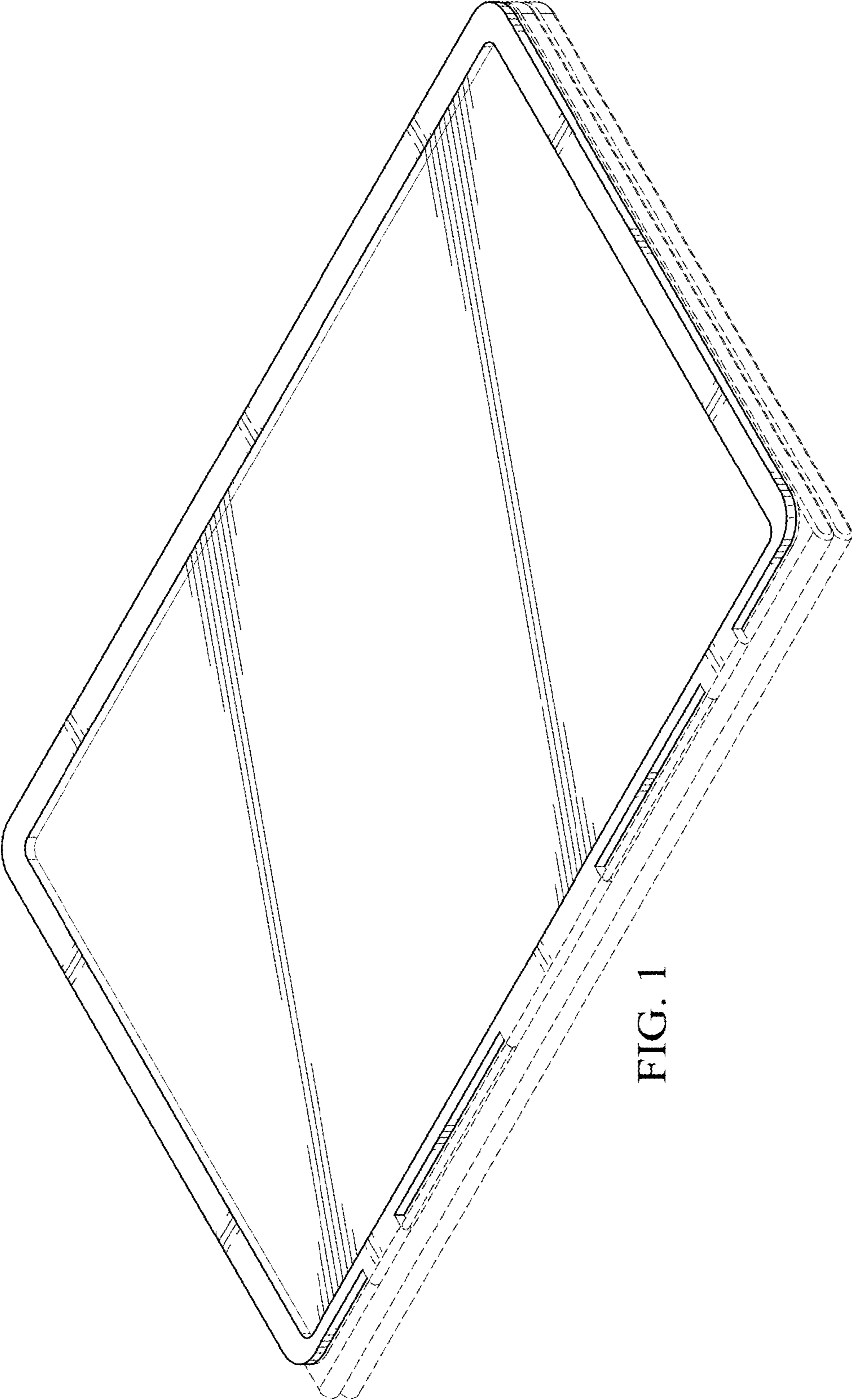


FIG. 1

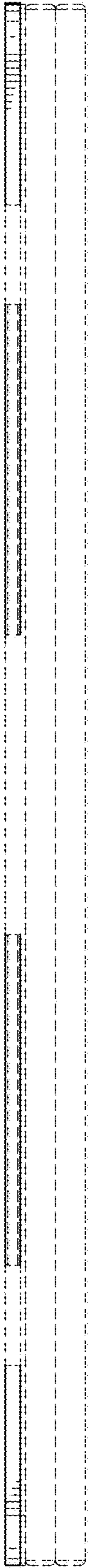


FIG. 2

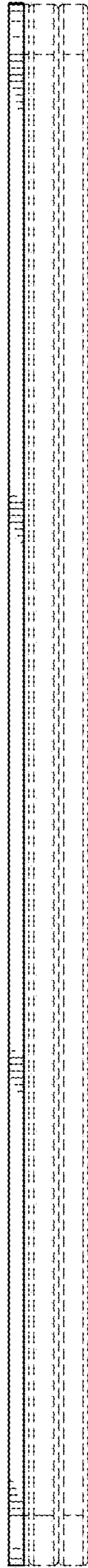


FIG. 3

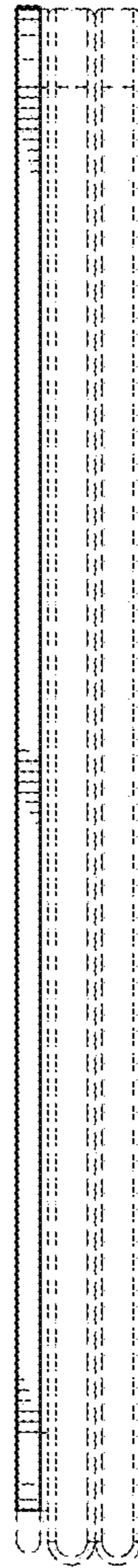


FIG. 4

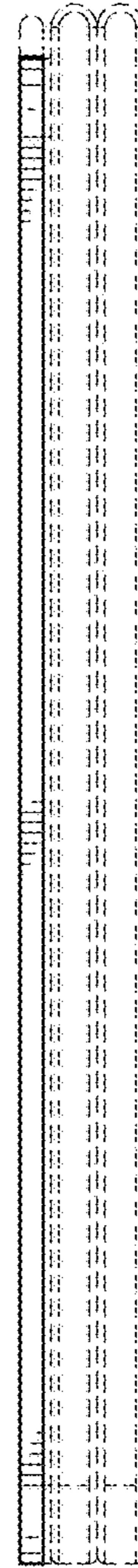


FIG. 5

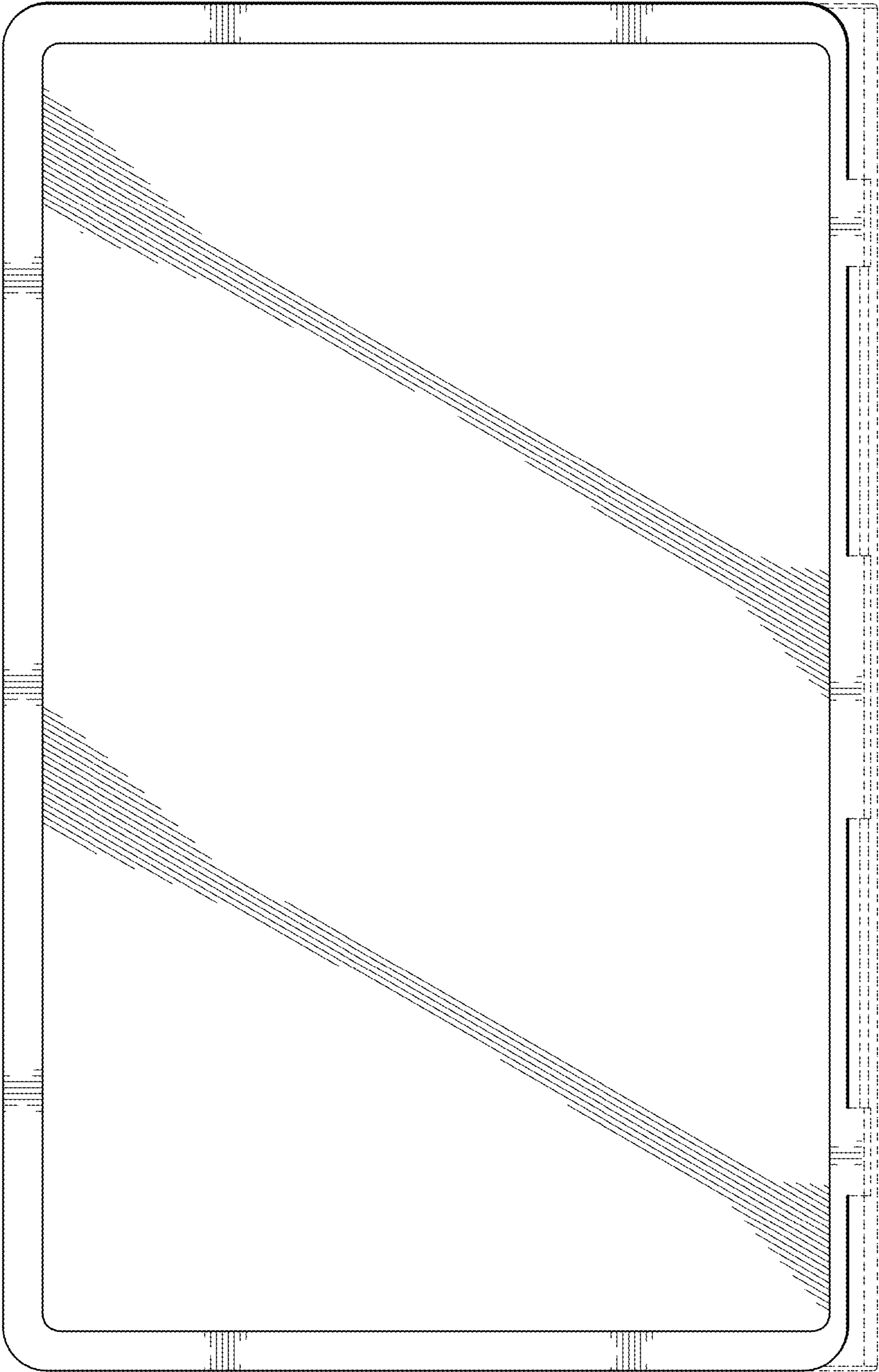


FIG. 6



FIG. 7

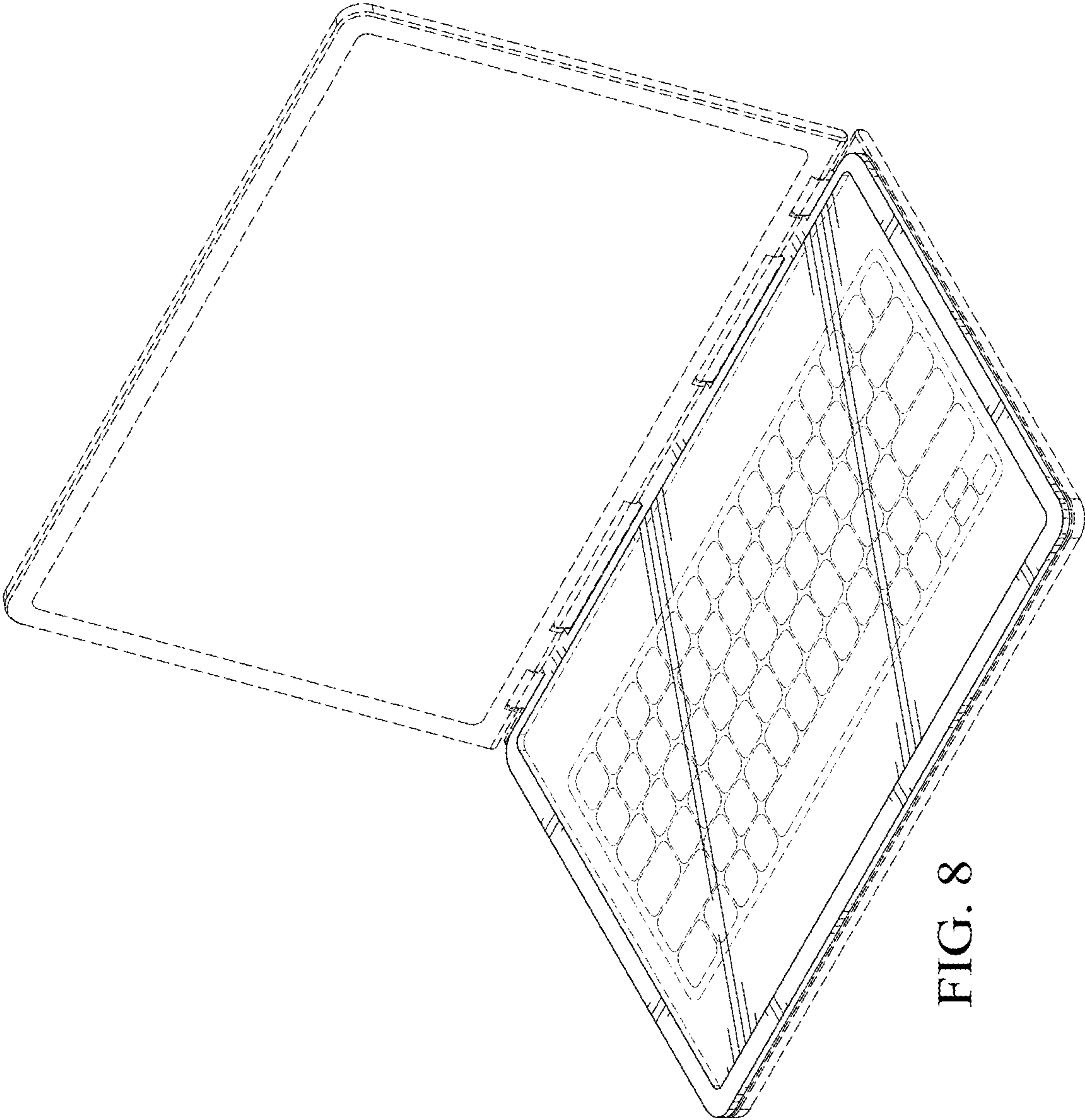


FIG. 8

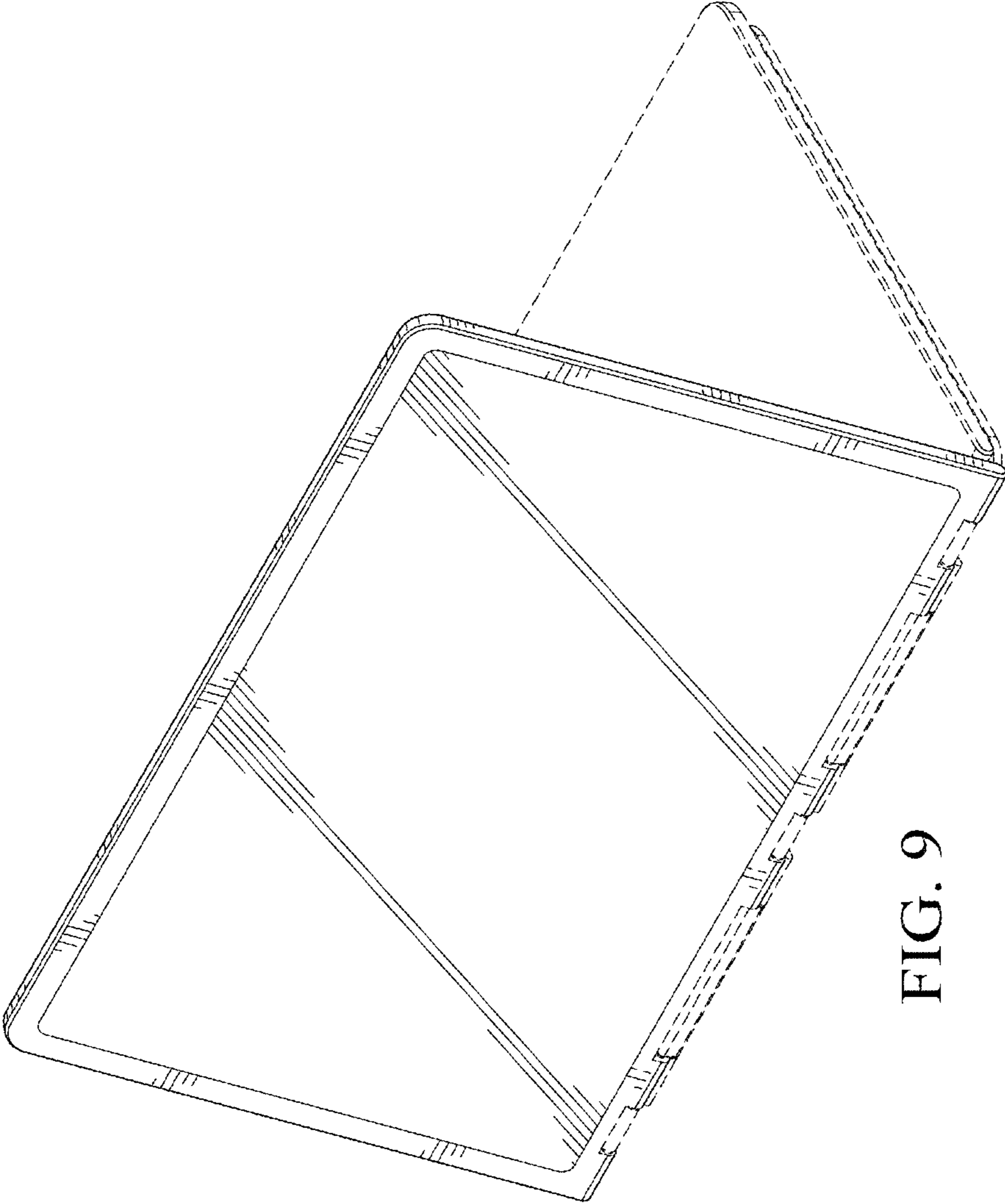


FIG. 9

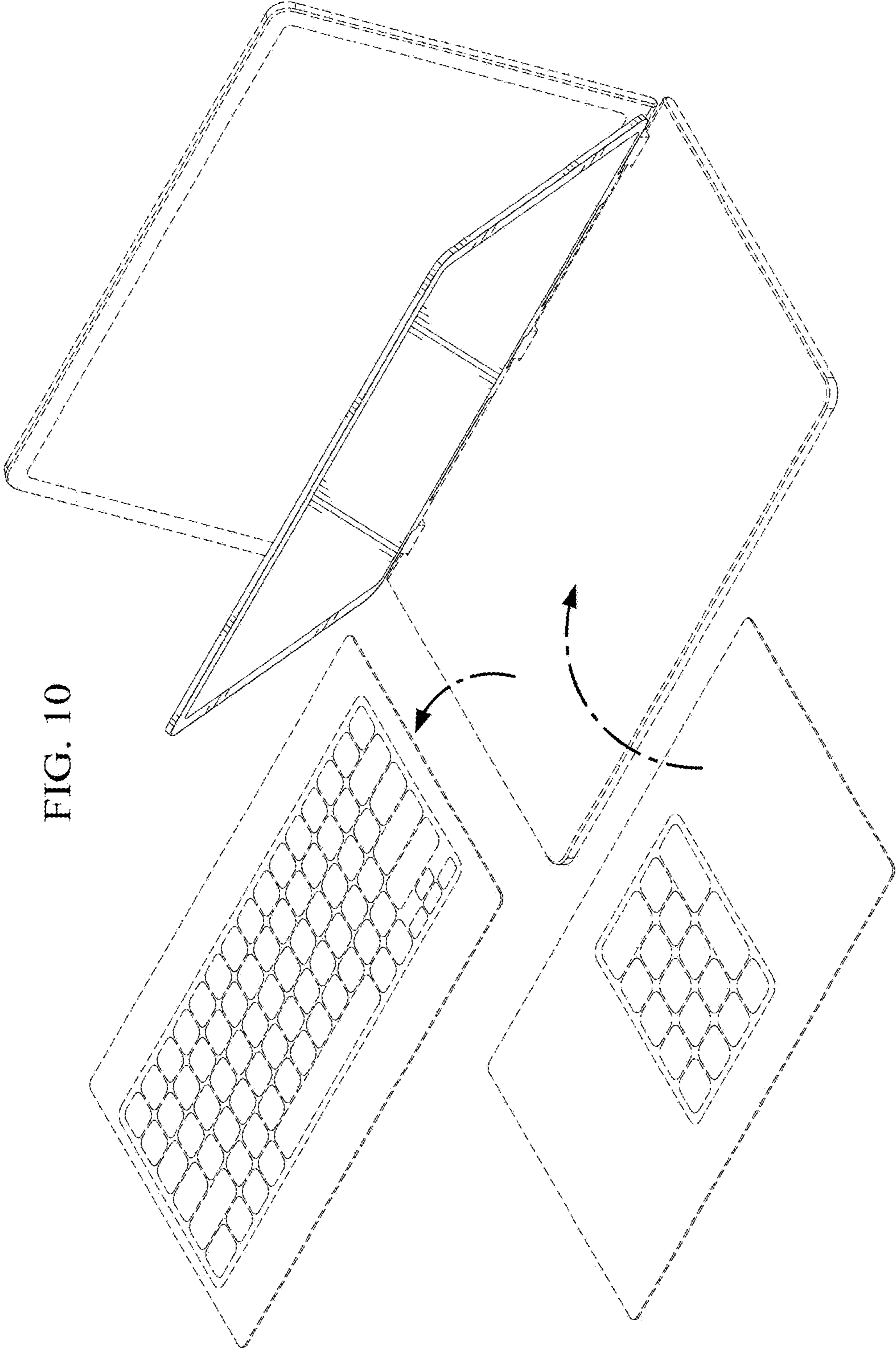


FIG. 10

FIG. 11

