



US00D772861S

(12) **United States Design Patent** (10) **Patent No.:** **US D772,861 S**  
**Akana et al.** (45) **Date of Patent:** **\*\* Nov. 29, 2016**

(54) **ELECTRONIC DEVICE**

(71) Applicant: **Apple Inc.**, Cupertino, CA (US)  
(72) Inventors: **Jody Akana**, San Francisco, CA (US); **Bartley K. Andre**, Palo Alto, CA (US); **Jeremy Bataillou**, San Francisco, CA (US); **Daniel J. Coster**, San Francisco, CA (US); **Daniele De Iuliis**, San Francisco, CA (US); **M. Evans Hankey**, San Francisco, CA (US); **Julian Hoenig**, San Francisco, CA (US); **Richard P. Howarth**, San Francisco, CA (US); **Jonathan P. Ive**, San Francisco, CA (US); **Duncan Robert Kerr**, San Francisco, CA (US); **Matthew Dean Rohrbach**, San Francisco, CA (US); **Peter Russell-Clarke**, San Francisco, CA (US); **Benjamin Andrew Shaffer**, San Jose, CA (US); **Mikael Silvano**, San Francisco, CA (US); **Christopher J. Stringer**, Woodside, CA (US); **Eugene Antony Whang**, San Francisco, CA (US); **Rico Zörkendörfer**, San Francisco, CA (US)

(73) Assignee: **Apple Inc.**, Cupertino, CA (US)

(\*\*) Term: **15 Years**

(21) Appl. No.: **29/533,841**

(22) Filed: **Jul. 22, 2015**

(51) **LOC (10) Cl.** ..... **14-02**

(52) **U.S. Cl.**  
USPC ..... **D14/315**

(58) **Field of Classification Search**  
USPC ..... D14/315-327; D18/1, 2, 7, 11; 235/145 A, 145 R; 341/22, 23; 345/104, 345/156, 168, 169, 173; 361/679.08, 361/679.09, 679.11, 679.26, 679.27  
CPC ..... G06F 1/16; G06F 1/1616; G06F 1/1626; G06F 1/1632; G06F 1/1613; G06F 1/1601; G06F 1/1618; G06F 1/162; G06F 1/166; G06F 1/1654; G06F 1/1681; G06F 1/1637;

G06F 1/1688; H01R 35/02; H03M 11/00; G09B 13/04; H03K 17/94; G09G 5/00; F16M 11/10; H05K 5/00; H04M 1/0237

See application file for complete search history.

(56) **References Cited**

U.S. PATENT DOCUMENTS

D293,467 S 12/1987 Elkerbout  
D303,111 S 8/1989 Paley

(Continued)

OTHER PUBLICATIONS

Sony Vaio X505, available at least as early as May 8, 2005.

(Continued)

*Primary Examiner* — Freda S Nunn

(74) *Attorney, Agent, or Firm* — Saidman DesignLaw Group, LLC

(57) **CLAIM**

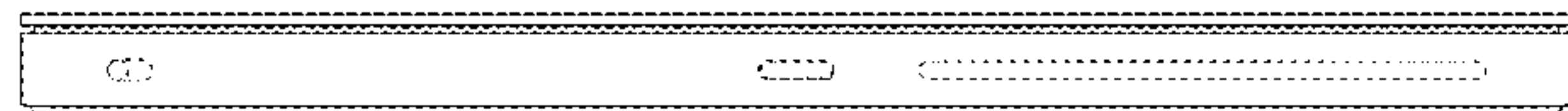
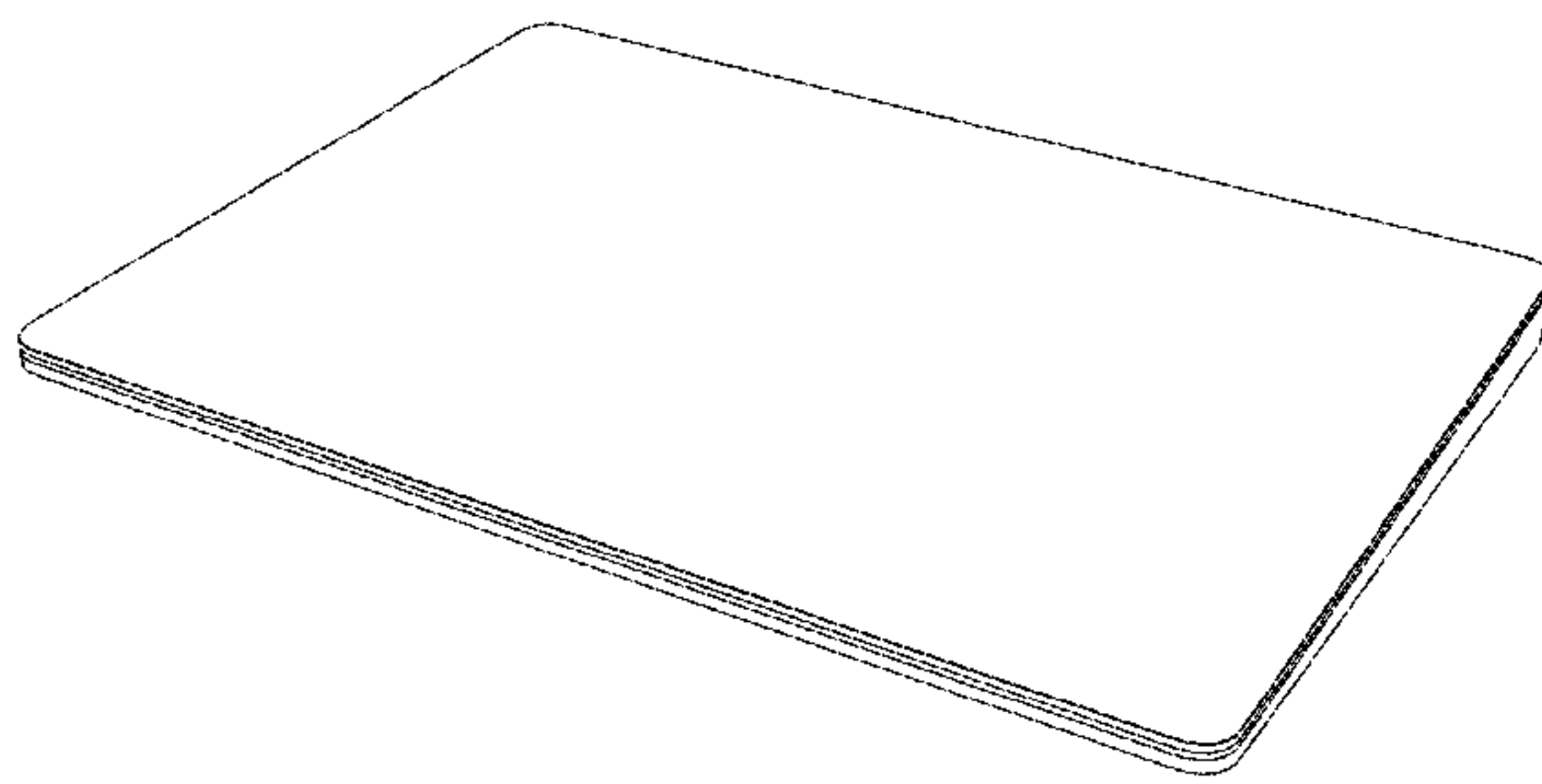
The ornamental design for an electronic device, as shown and described.

**DESCRIPTION**

FIG. 1 is a top front perspective view of an electronic device showing our new design;  
FIG. 2 is a top rear perspective view thereof;  
FIG. 3 is a bottom rear perspective view thereof;  
FIG. 4 is a bottom front perspective view thereof;  
FIG. 5 is a front view thereof;  
FIG. 6 is a rear view thereof;  
FIG. 7 is a left side view thereof;  
FIG. 8 is a right side view thereof;  
FIG. 9 is a top view thereof; and,  
FIG. 10 is a bottom view thereof.

The dashed broken lines represent structure or features that form no part of the claimed design.

**1 Claim, 4 Drawing Sheets**



(56)

References Cited

U.S. PATENT DOCUMENTS

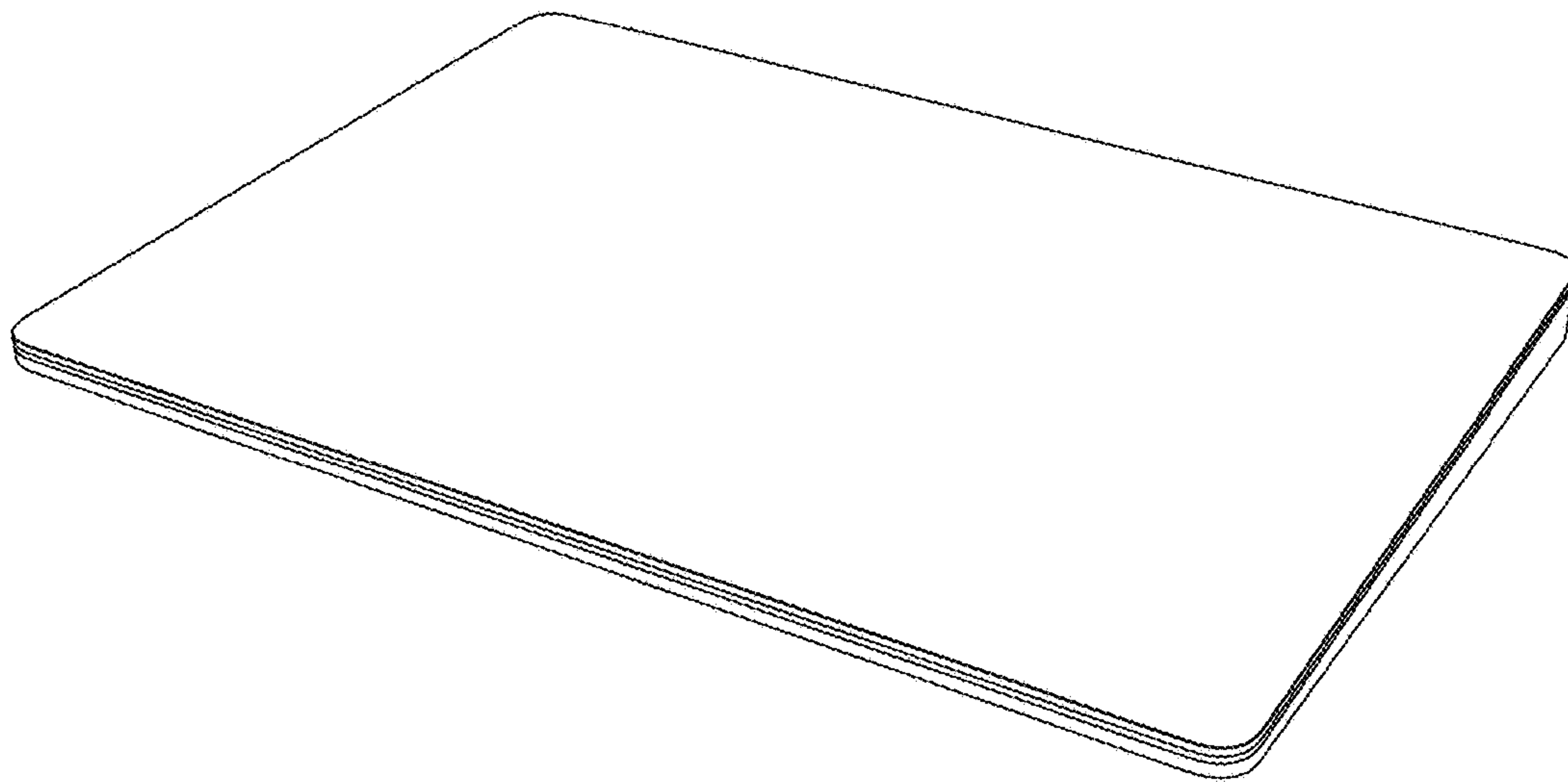
D310,209 S 8/1990 Kasprzycki  
 D316,549 S 4/1991 Hampf  
 D334,398 S 3/1993 Conard  
 D335,660 S 5/1993 Busch  
 D338,452 S 8/1993 Allgeier  
 D344,724 S 3/1994 Pangburn  
 D346,161 S 4/1994 Oh et al.  
 D348,875 S 7/1994 Wang  
 5,439,304 A 8/1995 Phillips et al.  
 5,717,430 A 2/1998 Copland et al.  
 D420,997 S 2/2000 Jordan  
 D430,875 S 9/2000 Beecroft  
 D436,951 S 1/2001 Andresen  
 D445,793 S 7/2001 Ji  
 D446,520 S 8/2001 Ji  
 D447,136 S 8/2001 Groves et al.  
 D454,566 S 3/2002 Andre et al.  
 D485,271 S 1/2004 Kamegi  
 D490,812 S 6/2004 Andre et al.  
 D501,472 S 2/2005 Kumano  
 D501,660 S 2/2005 Kumano  
 D514,098 S 1/2006 Huang et al.  
 D518,053 S 3/2006 Chen  
 D526,319 S 8/2006 Ohno  
 D529,910 S 10/2006 Ota  
 7,167,158 B2 1/2007 Silverbrook  
 D543,544 S 5/2007 Cheng  
 D556,758 S 12/2007 Nguyen et al.  
 D558,753 S 1/2008 Andre et al.  
 D572,246 S 7/2008 Andre et al.  
 D574,378 S 8/2008 Andre et al.  
 D579,450 S 10/2008 Ozolins et al.  
 D580,433 S 11/2008 Chiang et al.  
 D586,797 S \* 2/2009 Kawase ..... D14/315  
 D588,126 S 3/2009 Chiang et al.  
 7,548,220 B2 6/2009 Silverbrook  
 7,567,221 B2 7/2009 Silverbrook  
 D598,451 S 8/2009 Andre et al.  
 D600,688 S 9/2009 Andre et al.  
 D603,861 S 11/2009 Hong et al.  
 D604,289 S 11/2009 Andre et al.  
 D604,294 S 11/2009 Andre et al.  
 D604,300 S 11/2009 Andre et al.  
 D604,736 S 11/2009 Andre et al.  
 D606,068 S 12/2009 Hong et al.  
 D606,534 S 12/2009 Hong et al.  
 D607,450 S 1/2010 Morishita et al.  
 D611,469 S 3/2010 Andre et al.  
 D612,843 S 3/2010 Andre et al.  
 D612,844 S 3/2010 Andre et al.  
 D613,284 S 4/2010 Solomon et al.  
 D616,880 S 6/2010 Andre et al.  
 D616,881 S 6/2010 Andre et al.  
 D616,886 S 6/2010 Andre et al.  
 D621,402 S 8/2010 Andre et al.  
 D625,310 S 10/2010 Andre et al.  
 D625,717 S 10/2010 Andre et al.  
 D627,341 S \* 11/2010 Yoon ..... D14/315

D631,879 S \* 2/2011 Kawase ..... D14/327  
 D633,093 S 2/2011 Andre et al.  
 D633,498 S 3/2011 Andre et al.  
 D635,566 S 4/2011 Andre et al.  
 D640,695 S 6/2011 Andre et al.  
 D641,021 S 7/2011 Andre et al.  
 D642,172 S 7/2011 Akana et al.  
 D642,560 S 8/2011 Akana et al.  
 D649,549 S 11/2011 Andre et al.  
 D652,032 S 1/2012 Akana et al.  
 D655,704 S 3/2012 Akana et al.  
 D661,296 S 6/2012 Akana et al.  
 D662,497 S 6/2012 Akana et al.  
 D662,935 S 7/2012 Andre et al.  
 D664,144 S 7/2012 Akana et al.  
 D664,537 S 7/2012 Hu et al.  
 D664,538 S \* 7/2012 Ryu ..... D14/327  
 D667,404 S 9/2012 Akana et al.  
 D678,872 S \* 3/2013 Lee ..... D14/315  
 D681,031 S 4/2013 Lee et al.  
 D685,784 S 7/2013 Ma  
 D687,030 S 7/2013 Andre et al.  
 D687,031 S 7/2013 Chen et al.  
 D691,129 S 10/2013 Akana et al.  
 D695,291 S 12/2013 Andre et al.  
 D696,244 S 12/2013 Akana et al.  
 D696,659 S 12/2013 Chen et al.  
 D696,660 S 12/2013 Chen et al.  
 D696,661 S 12/2013 Chen et al.  
 D706,772 S 6/2014 Koyama et al.  
 D708,179 S 7/2014 Andre et al.  
 D729,227 S 5/2015 Fukuoka  
 2012/0099264 A1 4/2012 Degner et al.

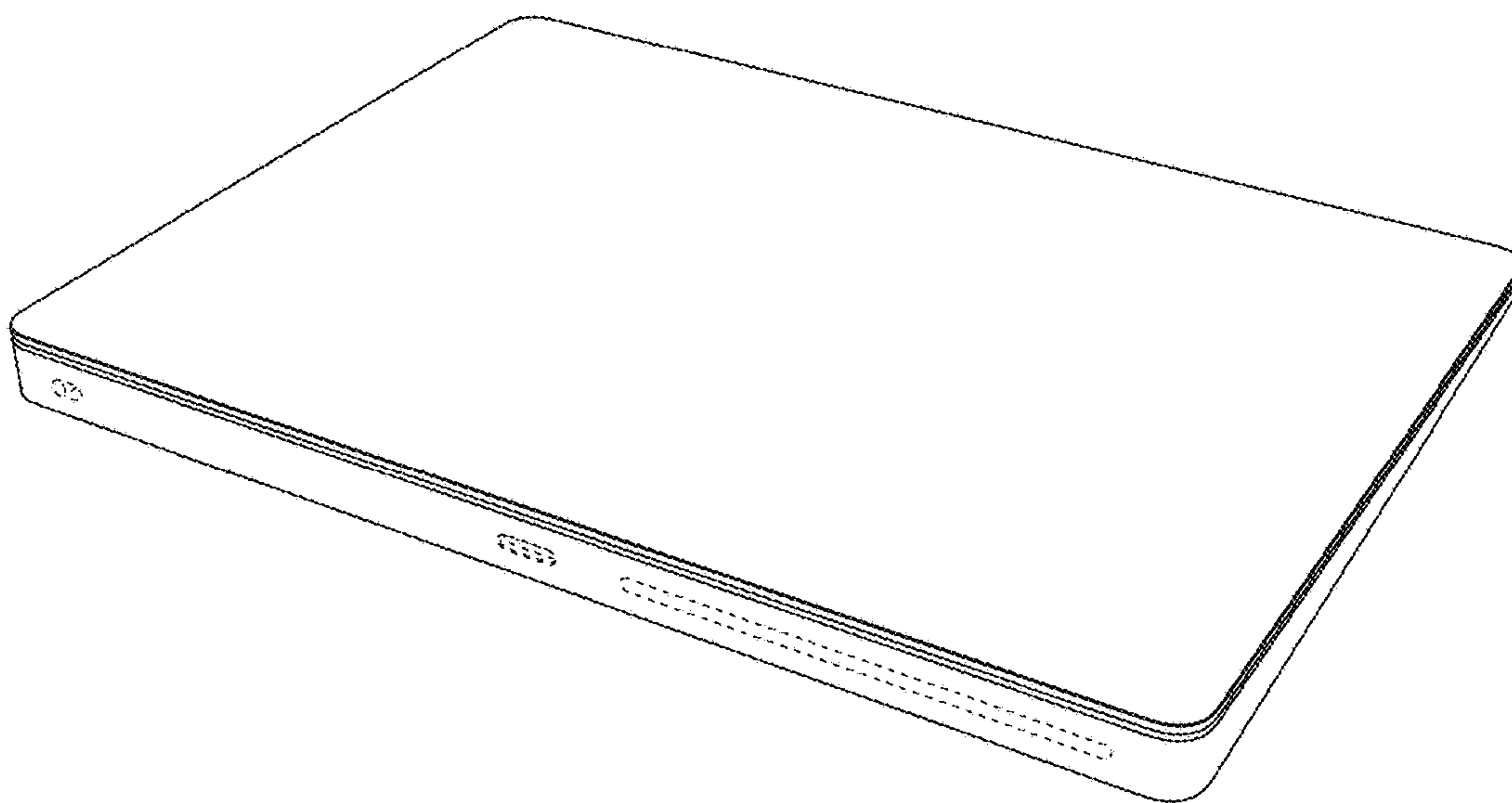
OTHER PUBLICATIONS

Sony X505 Keyboard, available at least as early as May 8, 2005.  
 Sony VAIO PCG-4G1L, available at least as early as May 8, 2006.  
 Olidata Altro, available at least as early as Jun. 1, 2009.  
 Olidata Altro, <http://notebookitalia.it/olidata-altro-italian-style-notebook-culv-5674.html>, published Mar. 3, 2009.  
 Rudi, 13-inch MacBook Air has a modern interior, Nov. 2, 2011, prohardver, 2pgs.  
 Logitech Touchpad T650, <<http://www.cnet.com/products/logitech-wireless-rechargeable-touchpad-t650/>>, available Dec. 17, 2012.  
 U.S. Appl. No. 29/361,525 to Jody Akana et al., titled "Electronic Device", filed May 12, 2010 (unpublished).  
 U.S. Appl. No. 29/476,137 to Jody Akana et al., titled "Electronic Device", filed Dec. 11, 2013 (unpublished).  
 U.S. Appl. No. 29/533,837 to Jody Akana et al., titled "Electronic Device", filed Jul. 22, 2015 (unpublished).  
 U.S. Appl. No. 29/560,697 to Jody Akana et al., titled "Electronic Device", filed Apr. 8, 2016 (unpublished).  
 U.S. Appl. No. 29/560,693 to Jody Akana et al., titled "Electronic Device", filed Apr. 8, 2016 (unpublished).  
 U.S. Appl. No. 29/560,682 to Jody Akana et al., titled "Electronic Device", filed Apr. 8, 2016 (unpublished).

\* cited by examiner

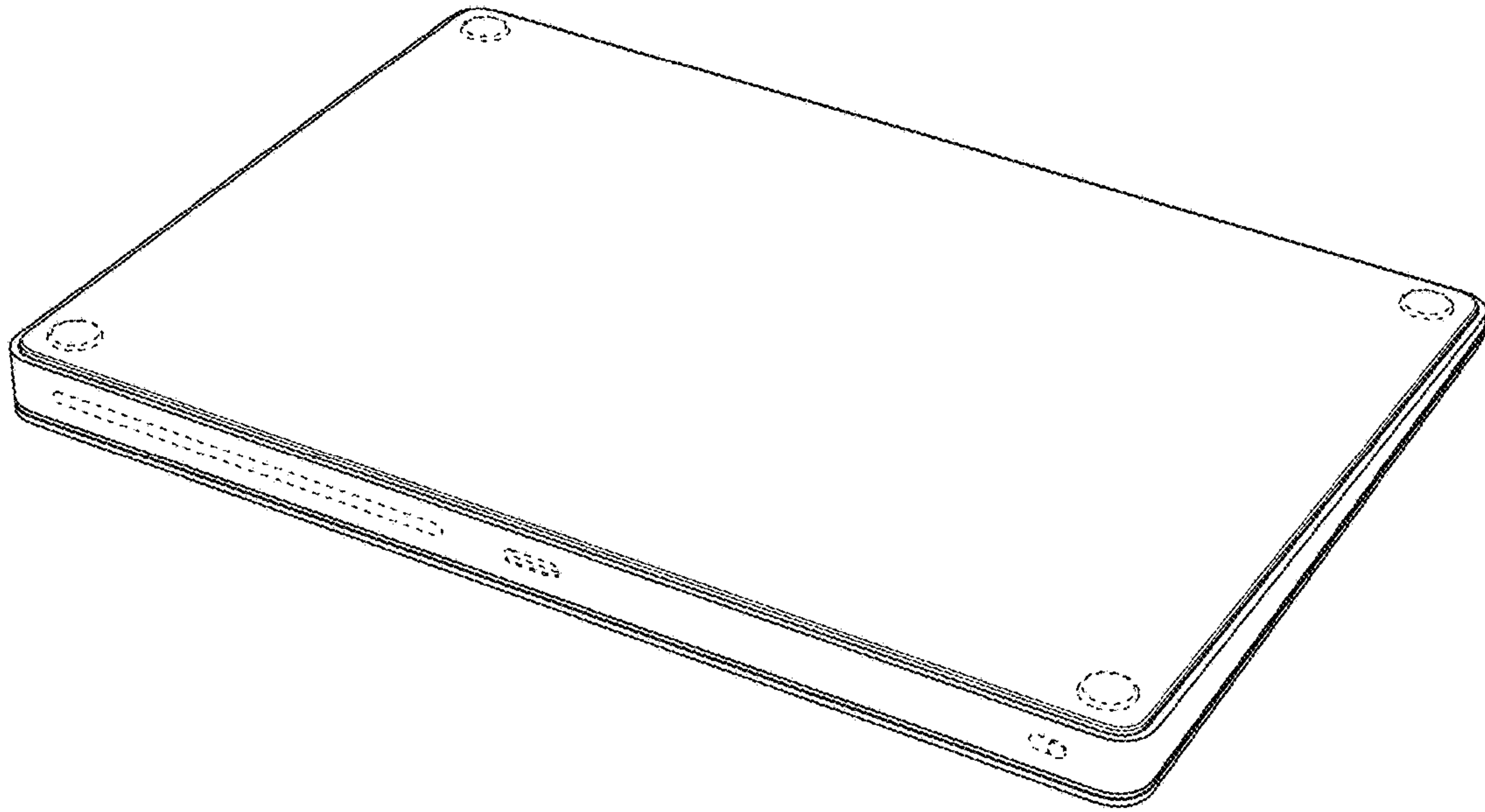


*Fig. 1*

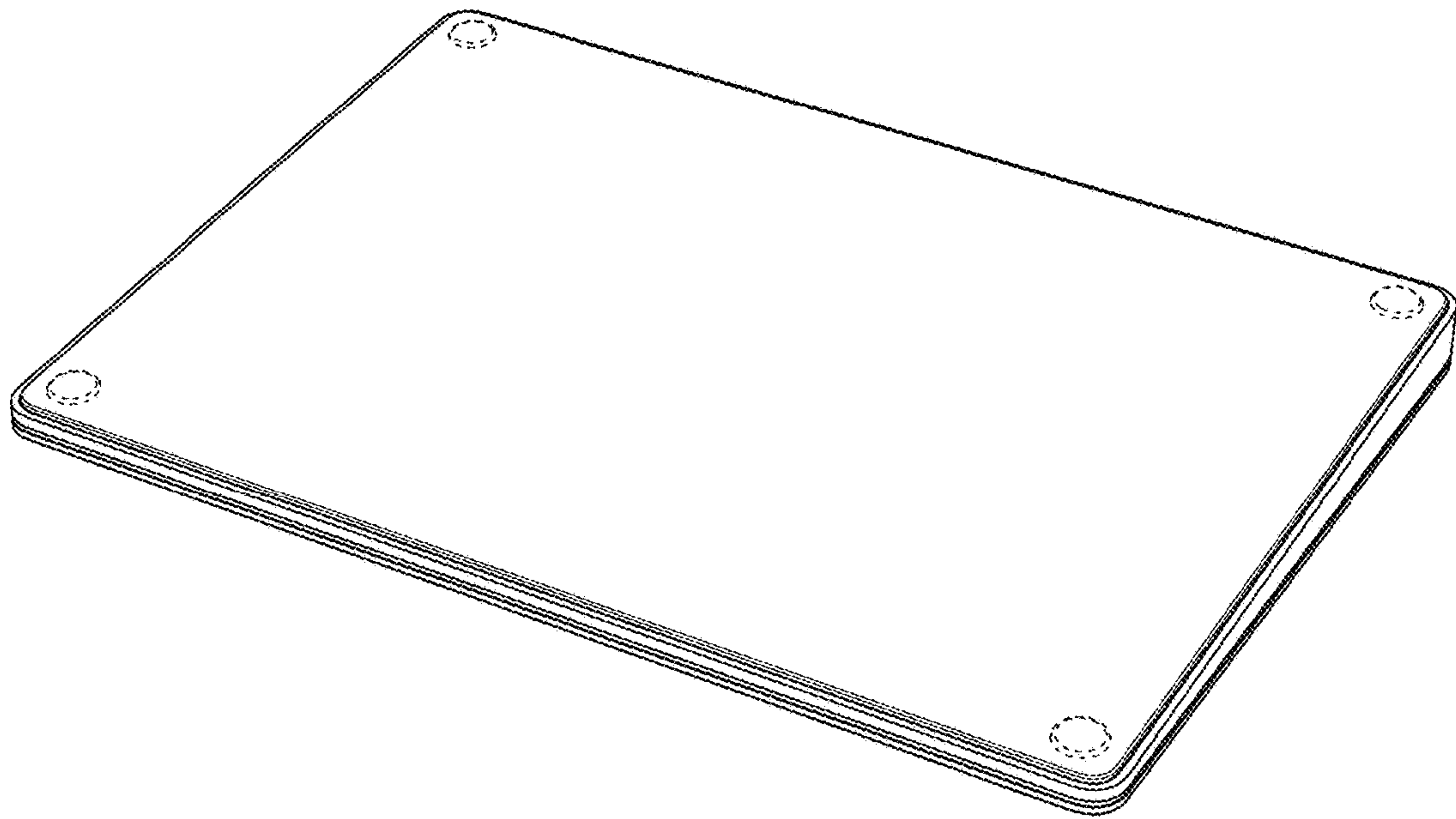


*Fig. 2*





**Fig. 3**



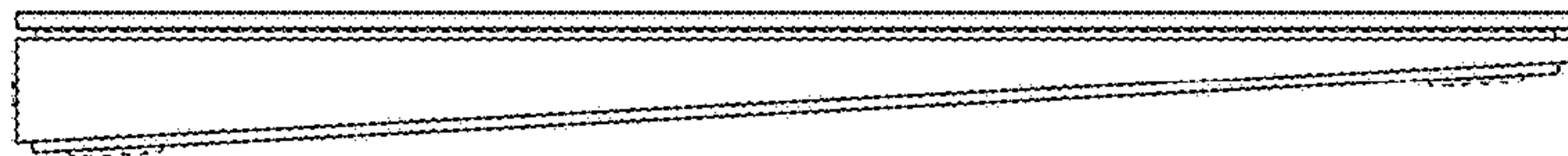
**Fig. 4**



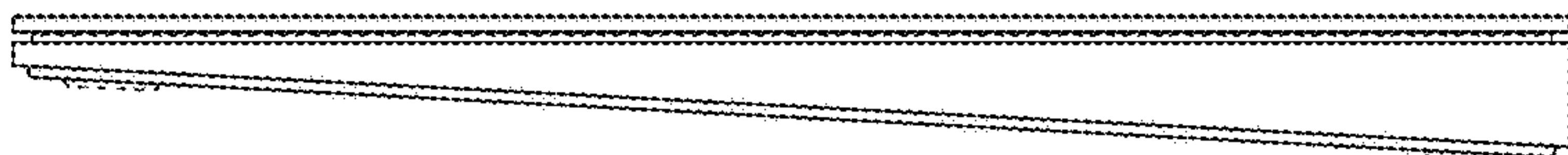
*Fig. 5*



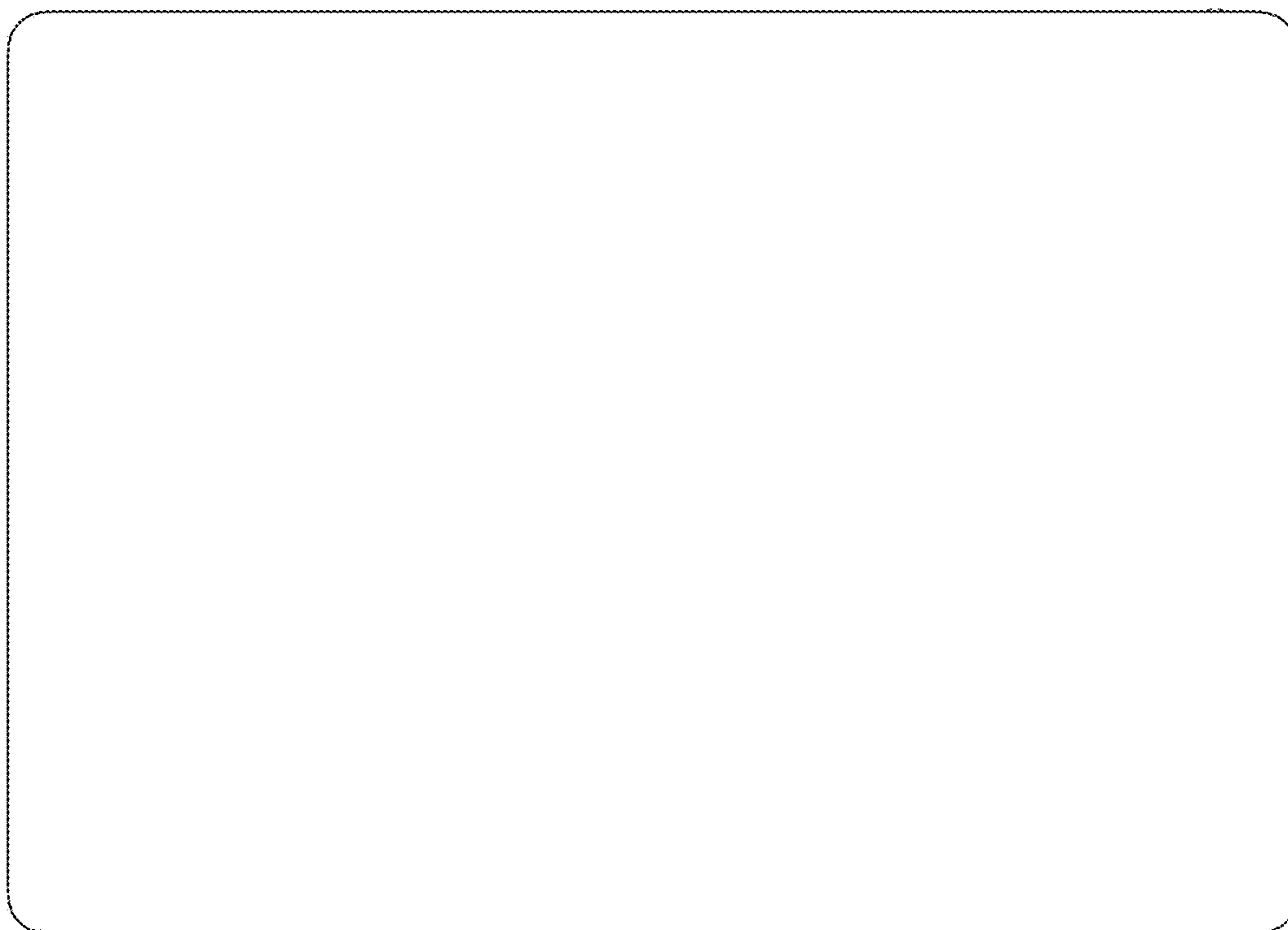
*Fig. 6*



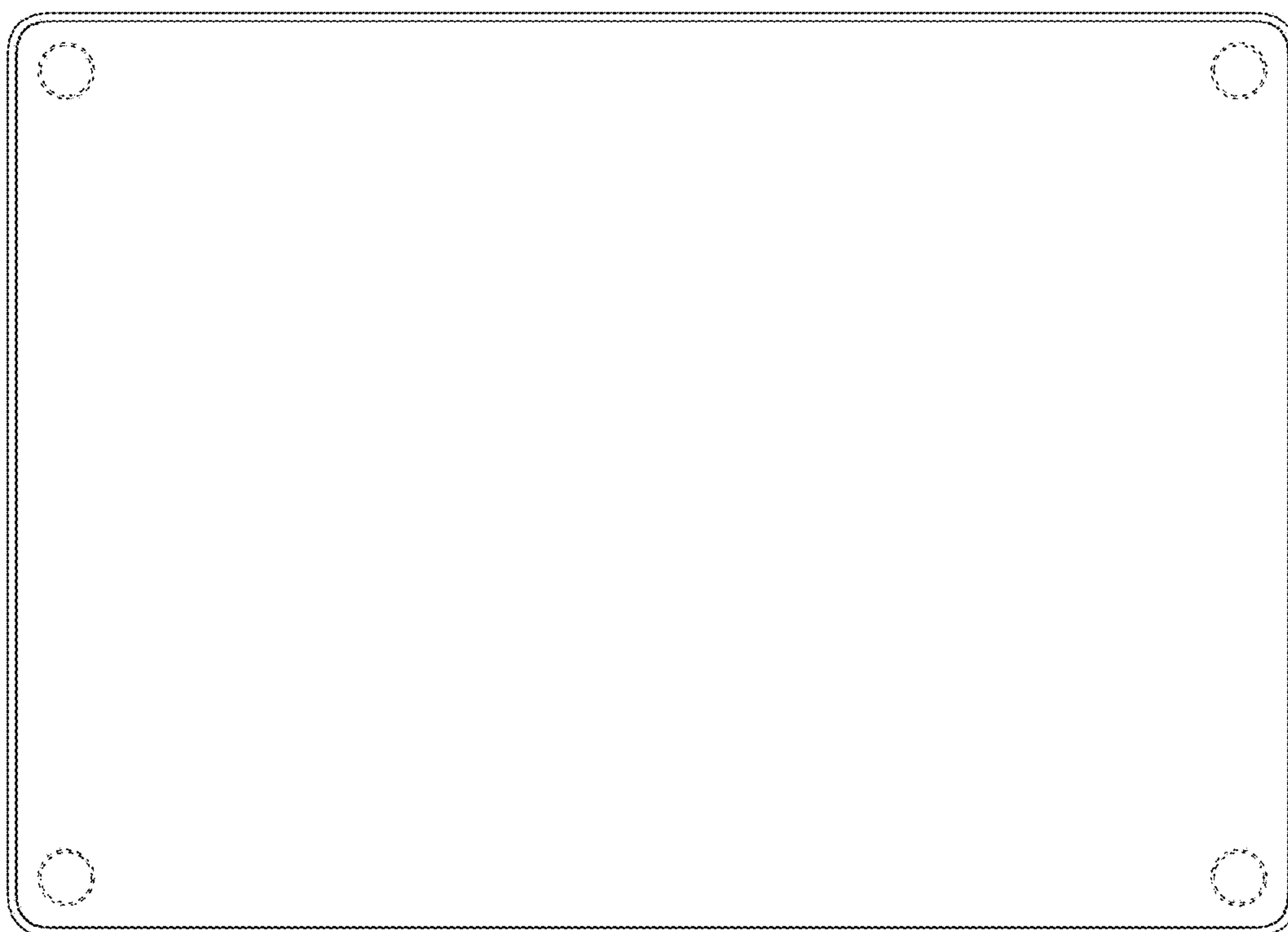
*Fig. 7*



*Fig. 8*



*Fig. 9*



*Fig. 10*