



US00D772859S

(12) **United States Design Patent** (10) **Patent No.:** **US D772,859 S**
Alesi et al. (45) **Date of Patent:** **** Nov. 29, 2016**

(54) **CELL PHONE HOLDER**

D685,804 S * 7/2013 Richter D14/253
D710,340 S * 8/2014 Wengreen D14/238.1
D710,363 S * 8/2014 Wengreen D14/432

(71) Applicant: **Custom Accessories Inc.**, Richmond, IL (US)

(Continued)

(72) Inventors: **Vincent Anthony Alesi**, Richmond, IL (US); **Anthony Salvatore Ferenzi**, Richmond, IL (US)

Primary Examiner — Susan Bennett Hattan

Assistant Examiner — Marie Fast Horse

(74) *Attorney, Agent, or Firm* — Leydig, Voit & Mayer, Ltd.

(73) Assignee: **Custom Accessories Inc.**, Richmond, IL (US)

(57) **CLAIM**

The ornamental design for a cell phone holder, as shown and described.

(**) Term: **14 Years**

DESCRIPTION

(21) Appl. No.: **29/516,840**

FIG. 1 is a perspective view taken from the front, top, and left side of a cell phone holder in accordance with my new design in a first configuration for use.

(22) Filed: **Feb. 6, 2015**

FIG. 2 is a perspective view taken from the front, top, and left side of the cell phone holder of FIG. 1 in a second configuration for use, consisting of extended arms and a flipped-down lever.

(51) **LOC (10) Cl.** **14-03**

(52) **U.S. Cl.**

USPC **D14/253**

(58) **Field of Classification Search**

USPC D14/251–253, 432, 434, 447, 451, 452, D14/140, 142, 149, 217, 240, 299, 496; D3/215, 218, 219, 328; D13/107, 108; D10/23; D8/71, 72, 74, 349, 373; D6/302, 303, 306, 310, 312; 455/575.1; D19/88; D16/242, 245; D21/313; D12/400, 415–418, D12/420–422, 426, 223; 379/454

FIG. 3 is a perspective view taken from the rear, top, and left side of the cell phone holder of FIG. 1 in the first configuration.

FIG. 4 is a perspective view taken from the rear, top, and left side of the cell phone holder of FIG. 1 in the second configuration.

FIG. 5 is a front view of the cell phone holder of FIG. 1 in the second configuration.

FIG. 6 is a rear view of the cell phone holder of FIG. 1 in the second configuration.

FIG. 7 is a left side elevational view of the cell phone holder of FIG. 1 in the first configuration.

FIG. 8 is a right side elevational view of the cell phone holder of FIG. 1 in the first configuration.

FIG. 9 is a top view of the cell phone holder of FIG. 1 in the second configuration; and,

FIG. 10 is a bottom view of the cell phone holder of FIG. 1 in the second configuration.

The broken lines shown depict portions of the cell phone holder that form no part of the claimed design.

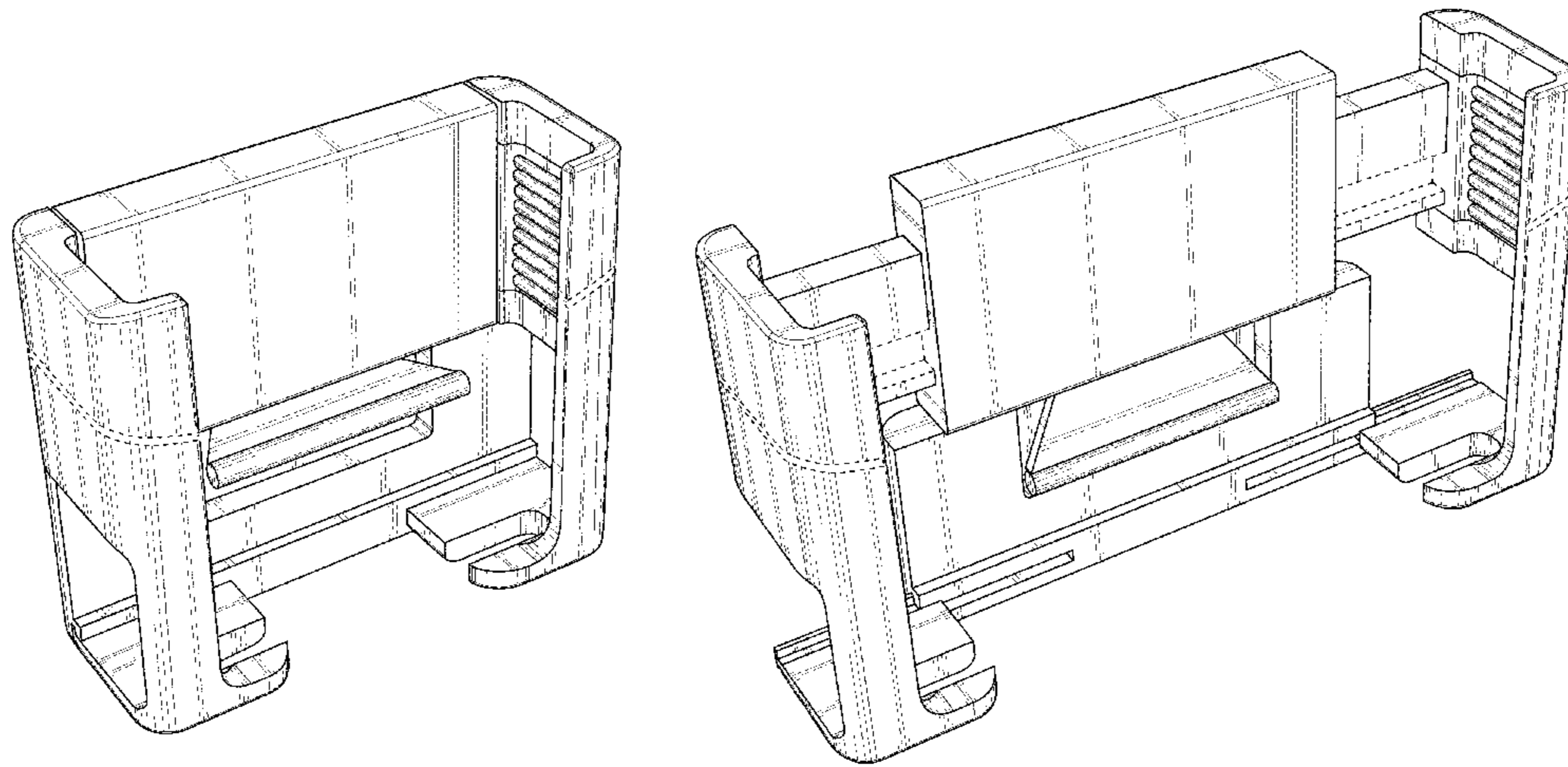
CPC H04M 1/00; H04M 1/04; H04M 1/06; H04M 1/11; H04B 1/3877; H04B 1/3888; F16M 11/04; F16M 11/041; B60R 11/02; B60R 11/0241; B60R 11/0258; B60R 11/0252; A45F 5/021; A45F 2005/025
See application file for complete search history.

(56) **References Cited**

U.S. PATENT DOCUMENTS

D321,885 S * 11/1991 Sheldrake D14/138 R
D365,566 S * 12/1995 Cantrell D14/253
D485,060 S * 1/2004 DeCotis D3/215
D685,379 S * 7/2013 Richter D14/253

1 Claim, 9 Drawing Sheets



(56)

References Cited

U.S. PATENT DOCUMENTS

D711,867 S *	8/2014	Harris	D14/253	2005/0236536 A1*	10/2005	Fan	B60R 11/02 248/176.3
D712,394 S *	9/2014	Booth	D14/253	2007/0284500 A1*	12/2007	Fan	B60R 11/02 248/346.06
D721,074 S *	1/2015	Harris	D14/253	2010/0294818 A1*	11/2010	LaFargue	B60R 11/0241 224/400
D732,013 S *	6/2015	Aspinall	D14/253	2010/0295228 A1*	11/2010	Woody	B60R 11/0241 269/254 R
D734,305 S *	7/2015	Wengreen	D14/238	2015/0162948 A1*	6/2015	Restivo	H04B 1/3888 455/575.8
D739,410 S *	9/2015	Chun	D14/447					
D749,549 S *	2/2016	Wengreen	D14/238					

* cited by examiner

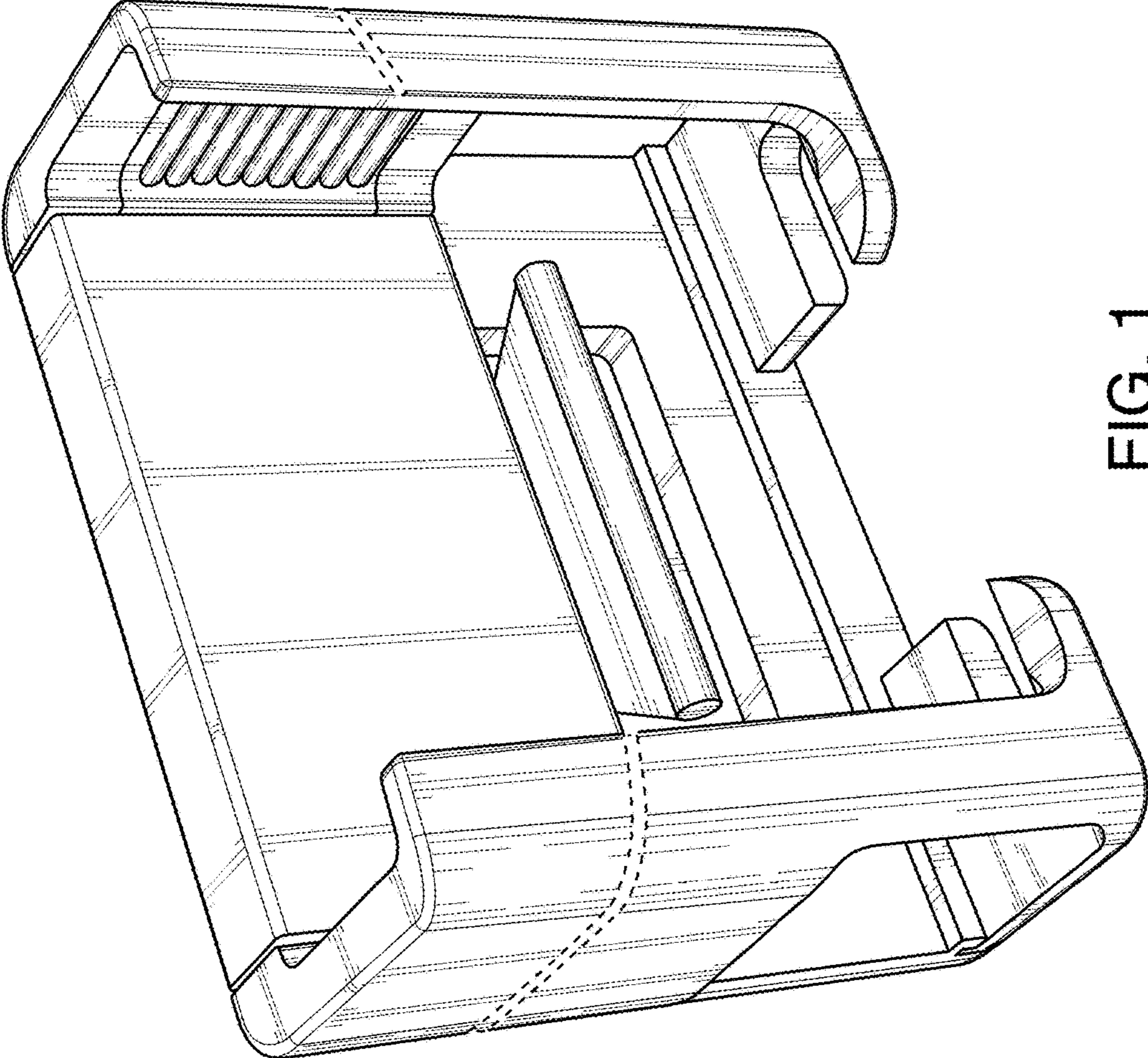


FIG. 1

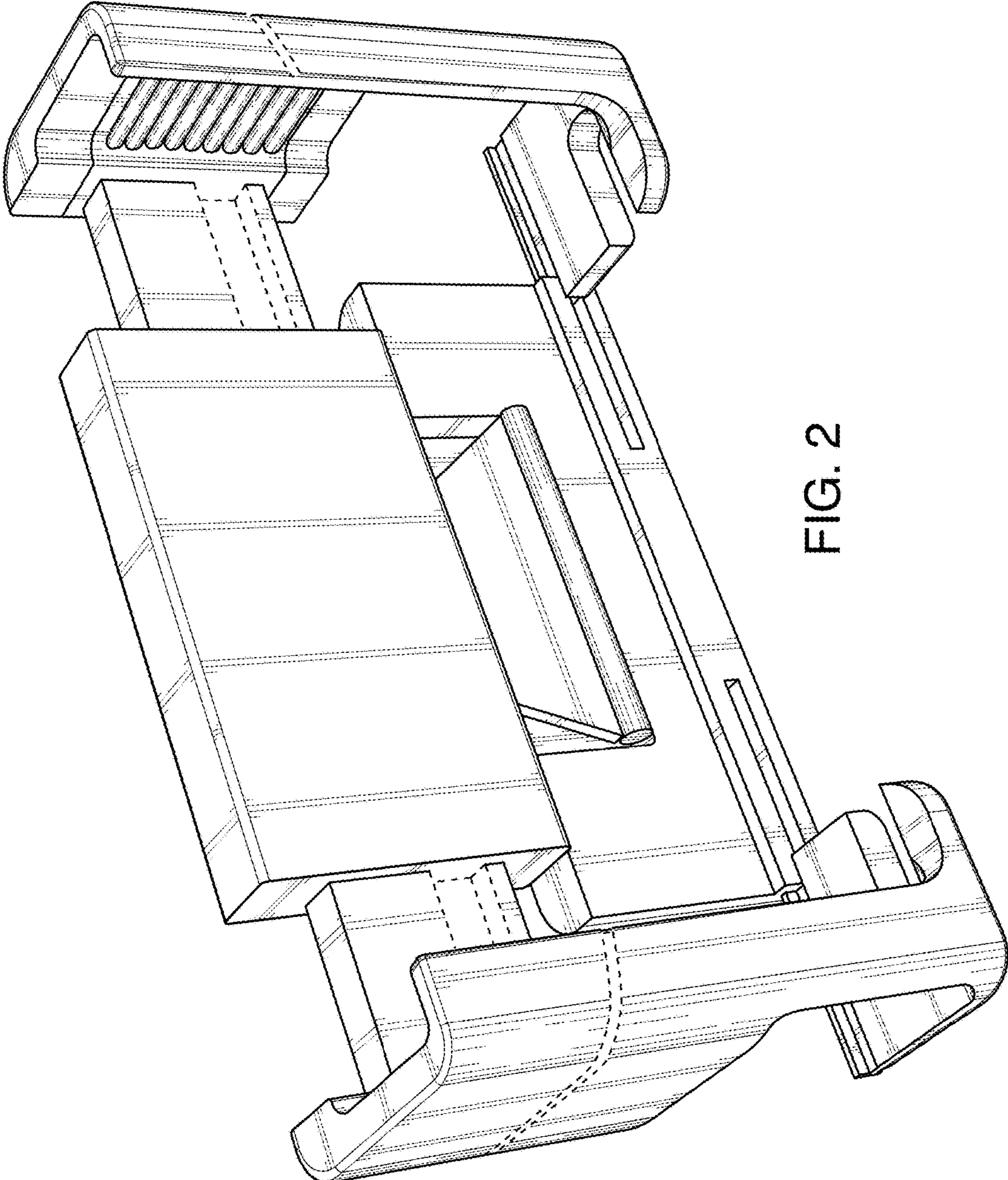


FIG. 2

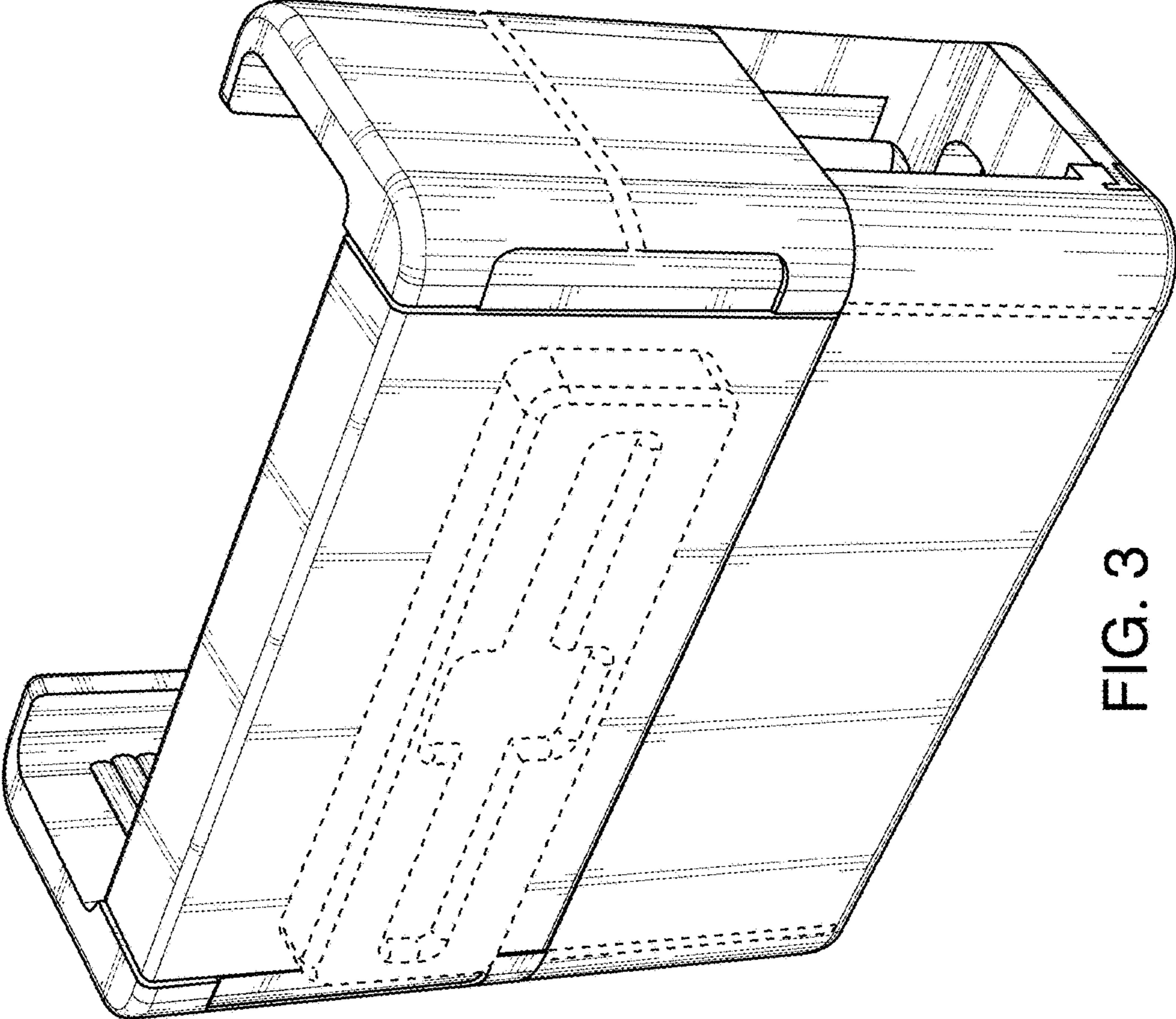


FIG. 3

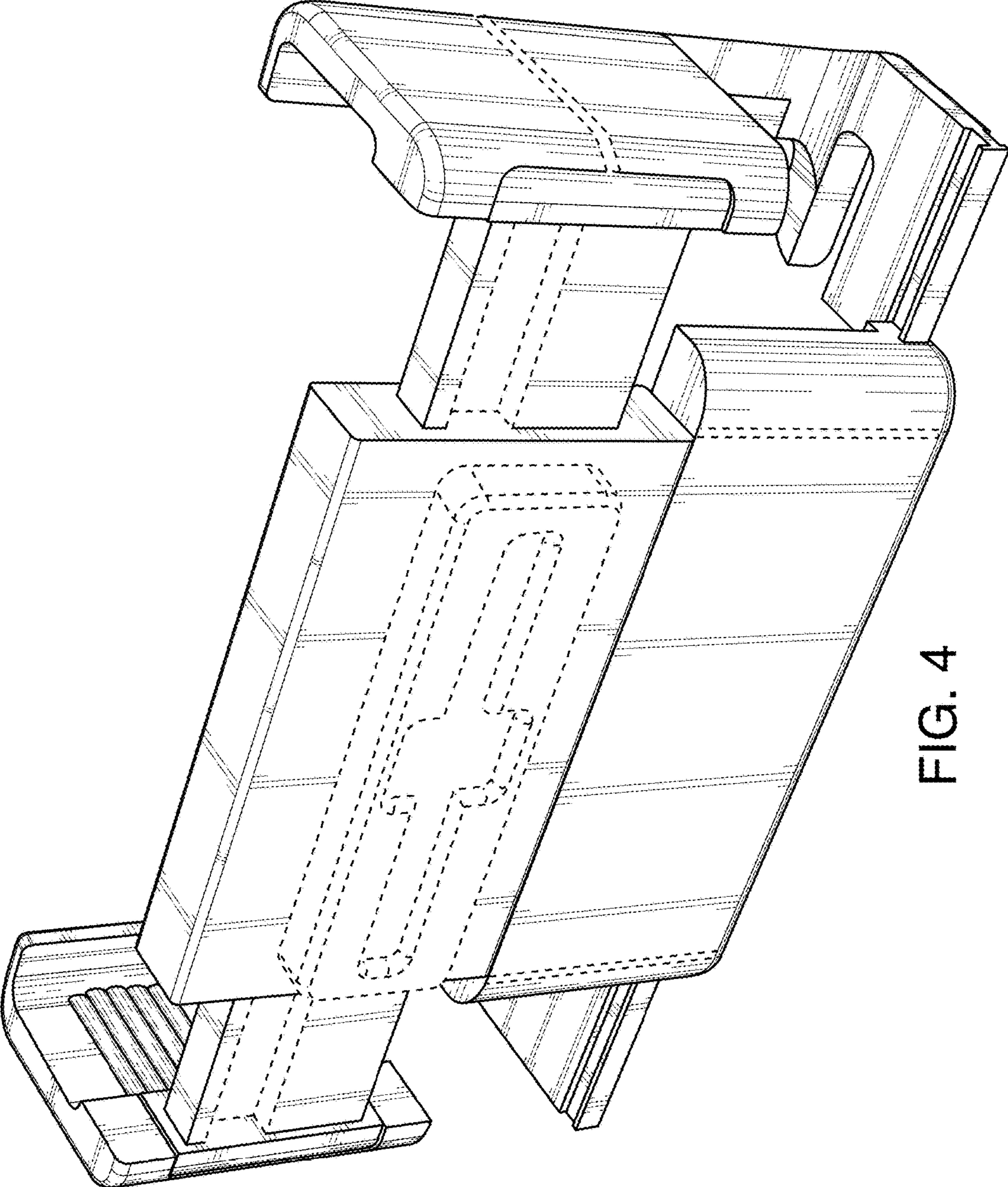


FIG. 4

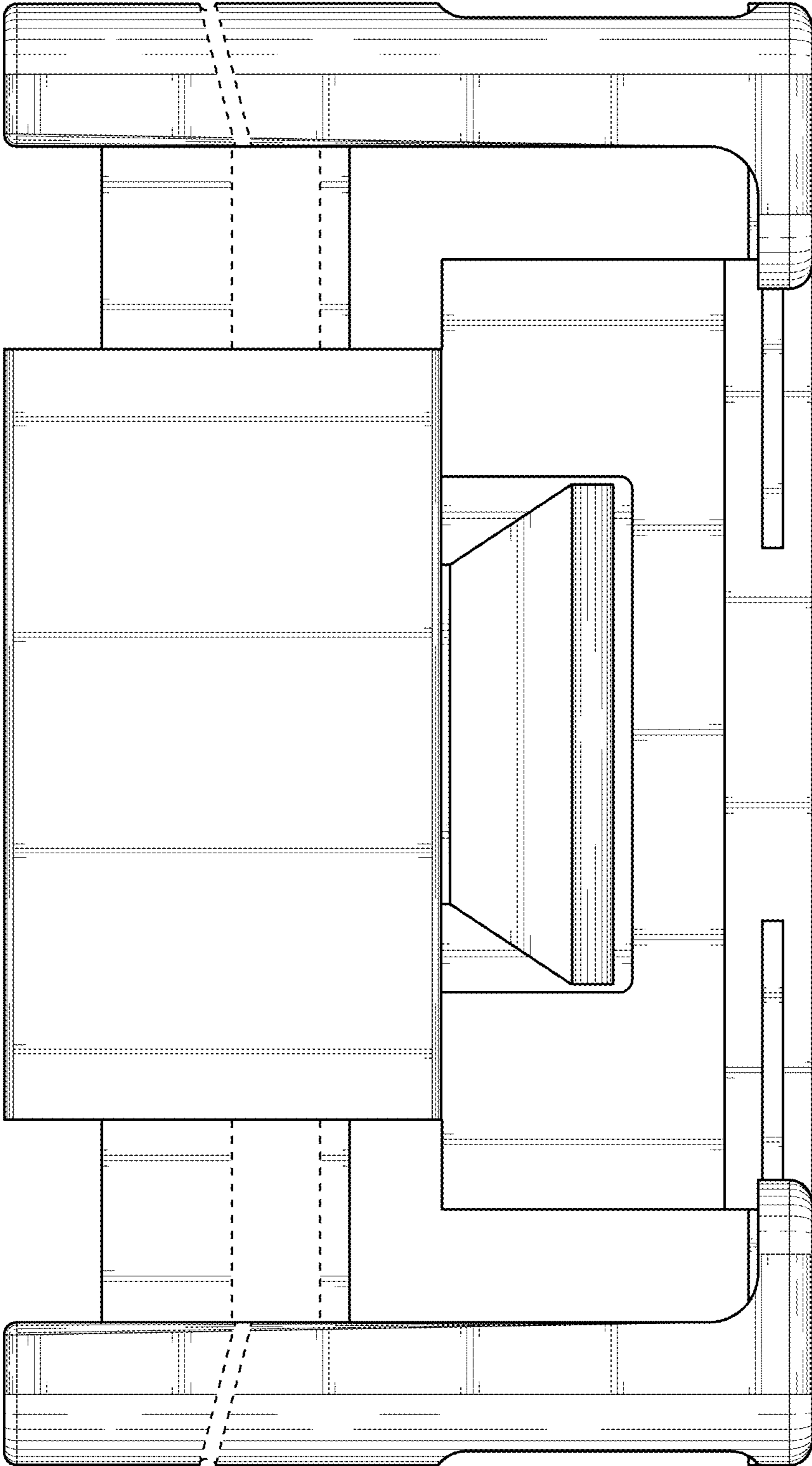


FIG. 5

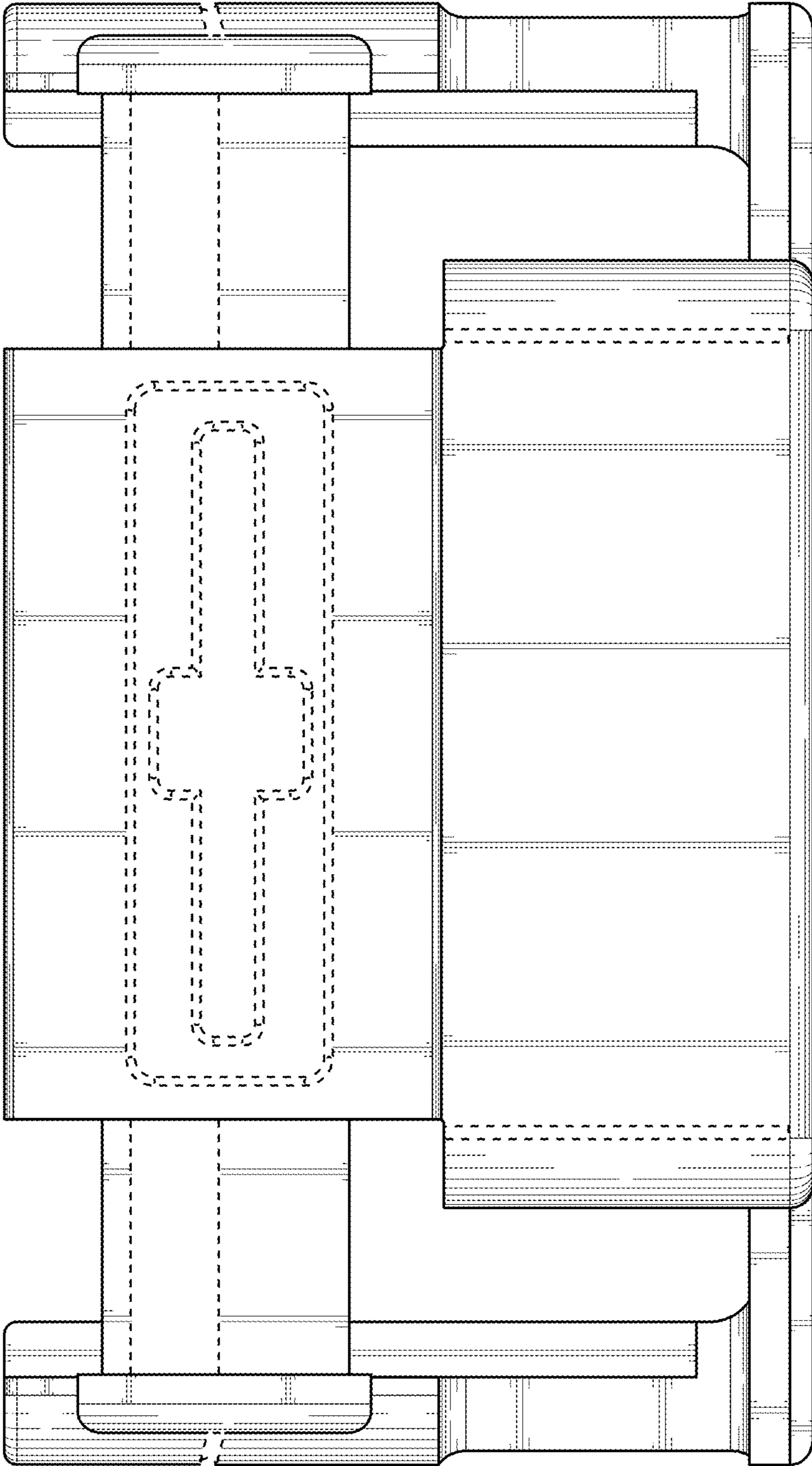


FIG. 6

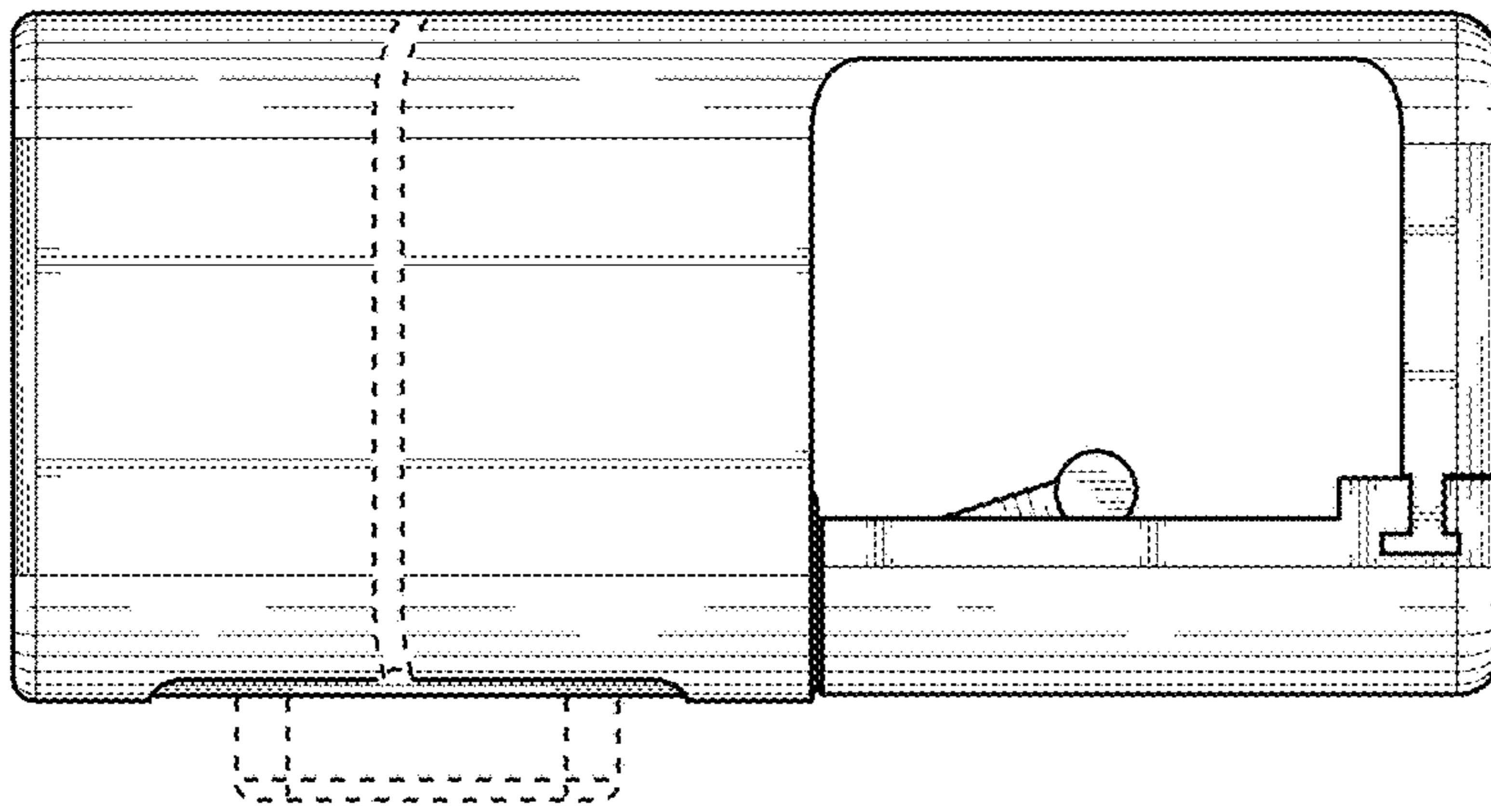


FIG. 7

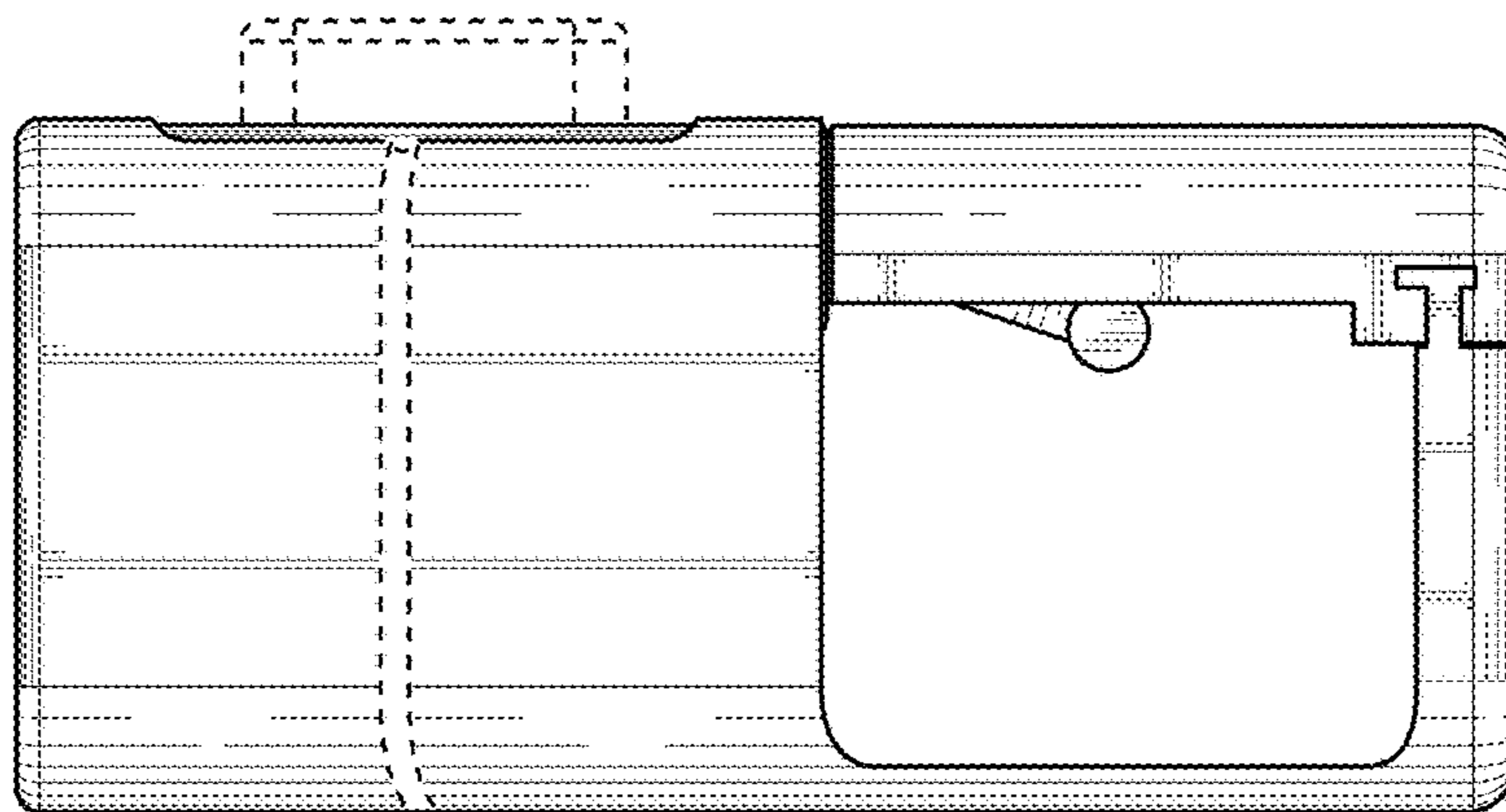


FIG. 8

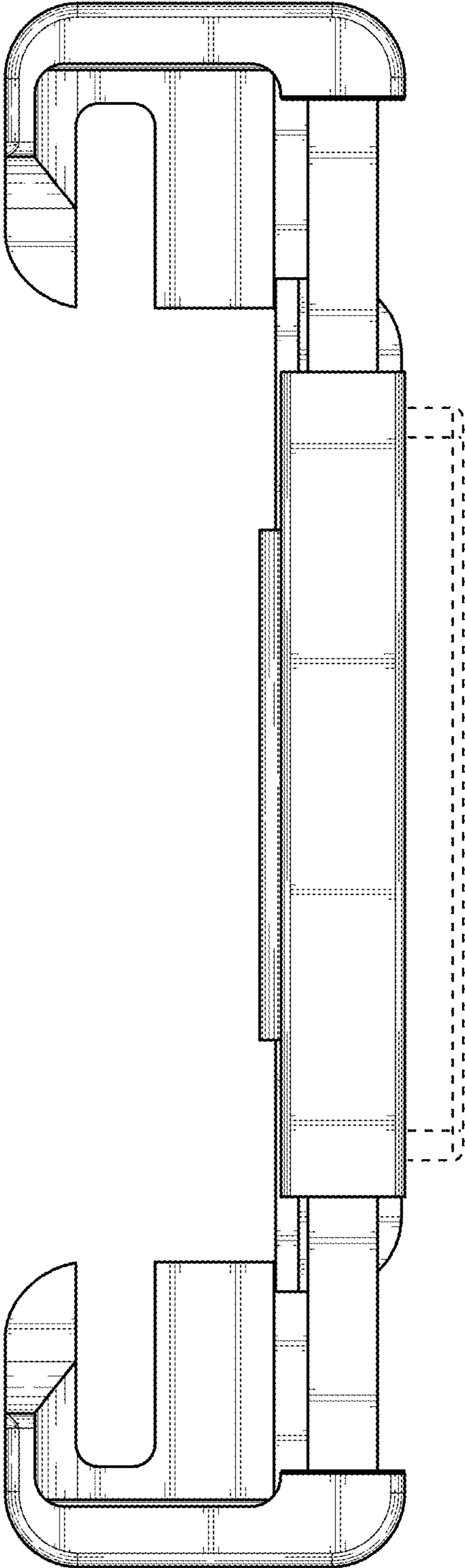


FIG. 9

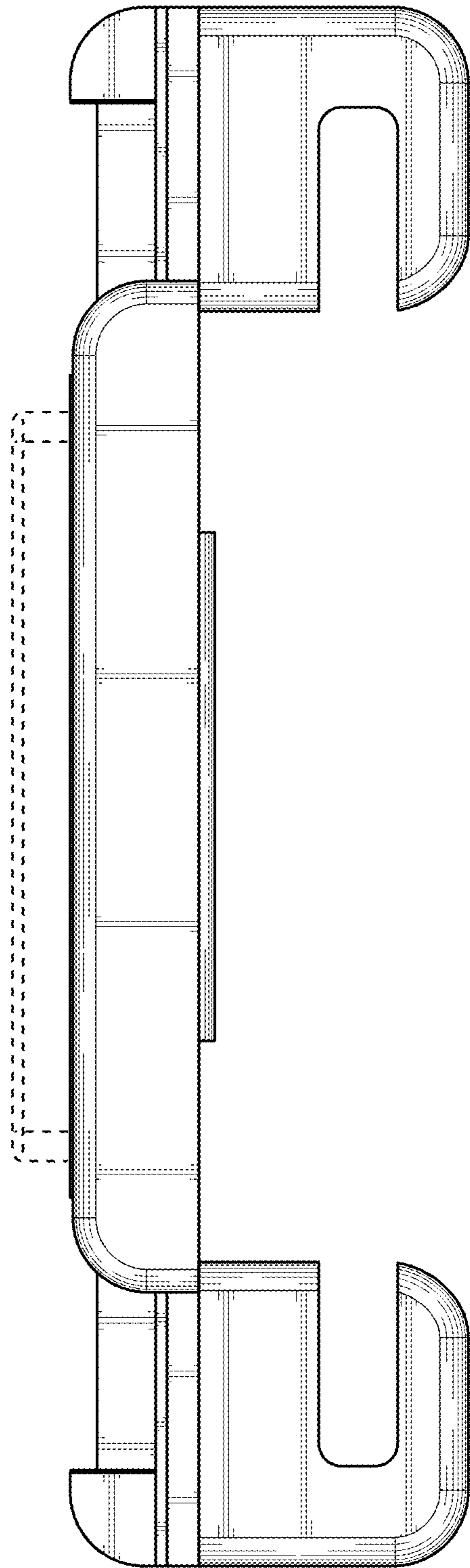


FIG. 10