



US00D772858S

(12) **United States Design Patent** (10) **Patent No.:** **US D772,858 S**
Hu (45) **Date of Patent:** **** Nov. 29, 2016**

(54) **CELL PHONE CASE**

(71) Applicant: **Shih-Che Hu**, Tainan (TW)

(72) Inventor: **Shih-Che Hu**, Tainan (TW)

(**) Term: **15 Years**

(21) Appl. No.: **29/546,549**

(22) Filed: **Nov. 23, 2015**

(51) **LOC (10) Cl.** **14-03**

(52) **U.S. Cl.**
USPC **D14/250**

(58) **Field of Classification Search**
USPC D14/238.1, 440, 203.3–203.7, 217, 240,
D14/248, 251–253, 447, 496, 250; D3/201,
D3/218, 247, 269, 273, 301, 303;
D13/103, 107–108, 119
CPC H04B 1/3888; H04M 1/0283; H04M
1/0202; A45C 1/06; A45C 2011/002; A45C
11/00; A45C 13/02; A45F 2005/026; A45F
2200/0525; A45F 2200/0516
See application file for complete search history.

(56) **References Cited**

U.S. PATENT DOCUMENTS

D574,819 S *	8/2008	Andre	D3/269
D619,361 S *	7/2010	Andre	D3/269
D675,198 S *	1/2013	Andre	D14/250
D679,685 S *	4/2013	Cox	D14/250
8,522,965 B1 *	9/2013	Hsiung	H04B 1/3888 206/320
D702,672 S *	4/2014	Mather	D14/250
D714,276 S *	9/2014	Hu	D14/250
D715,052 S *	10/2014	Fair	D3/301
D719,949 S *	12/2014	Tussy	D14/250
D721,360 S *	1/2015	Laffon de Mazieres	D14/250
D737,259 S *	8/2015	Choi	D14/248
D740,798 S *	10/2015	Poon	D14/250
D743,389 S *	11/2015	Akana	D14/250
D761,780 S *	7/2016	Nguyen	D14/250

D762,198 S *	7/2016	Burgess	D14/250
D763,841 S *	8/2016	Kim	D14/250
2011/0136555 A1 *	6/2011	Ramies	B67B 7/16 455/575.8
2011/0294556 A1 *	12/2011	Carlberg	A45C 11/00 455/575.8
2013/0032617 A1 *	2/2013	Adelman	A45F 5/00 224/191
2015/0097009 A1 *	4/2015	Burgess	A45C 11/00 224/191
2016/0049979 A1 *	2/2016	Grouwstra	H04B 1/3888 455/575.8
2016/0066453 A1 *	3/2016	Quehl	H05K 5/0234 206/45.2

OTHER PUBLICATIONS

Review of the Thule Atmos X3 Case for iPhone 6, published on May 23, 2015, URL:<<http://www.hikeventures.com/Thule-Atmos-X3/>>, retrieved from internet on Aug. 17, 2016.*

* cited by examiner

Primary Examiner — Carla Jobe Wright
(74) *Attorney, Agent, or Firm* — Raymond Y. Chan;
David and Raymond Patent Firm

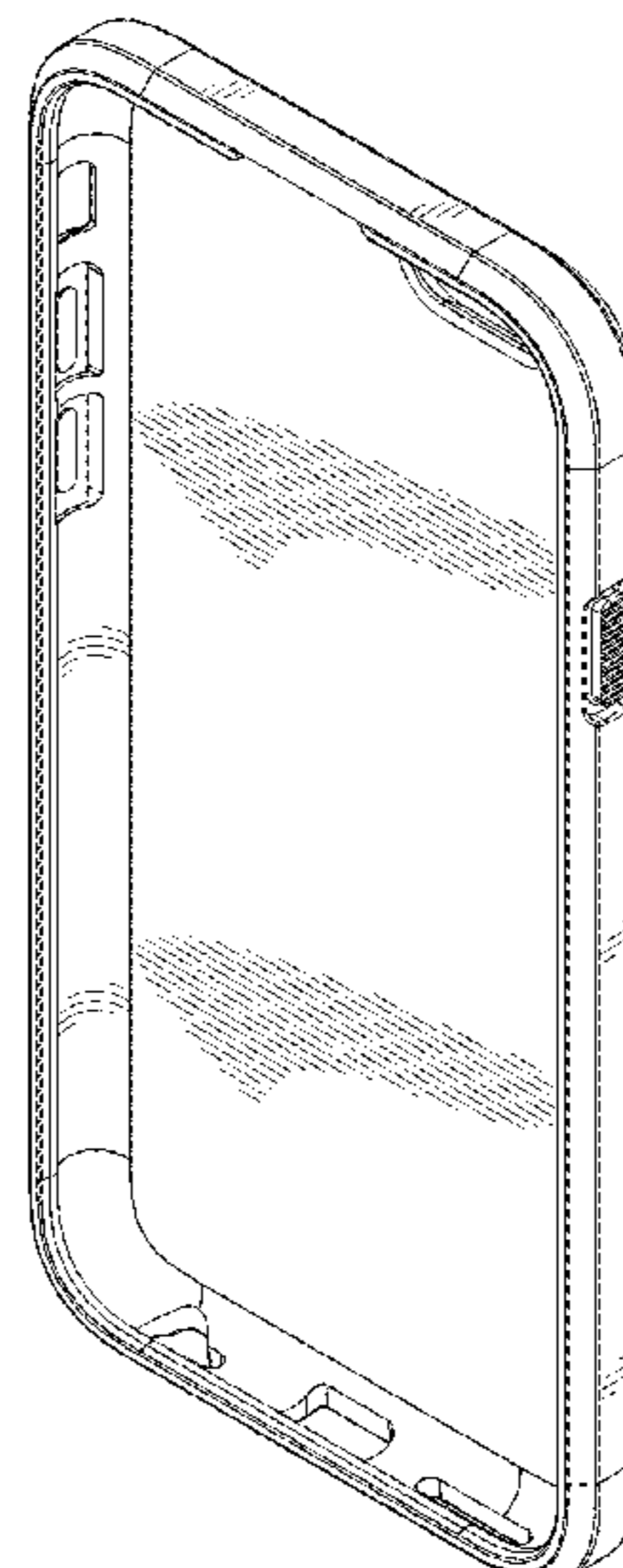
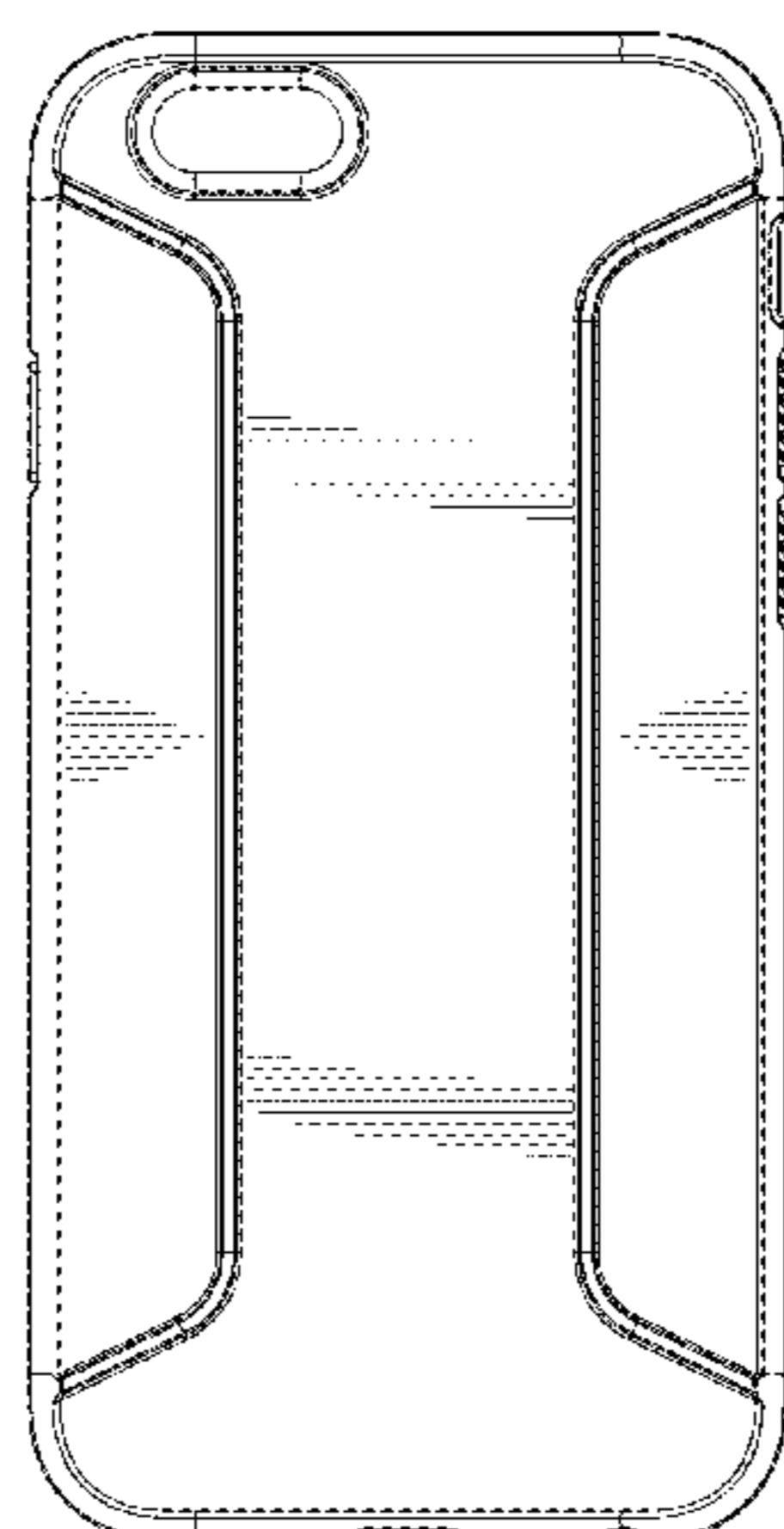
(57) **CLAIM**

The ornamental design for a cell phone case, as shown and described.

DESCRIPTION

FIG. 1 is a front perspective view of a cell phone case showing my new design.
FIG. 2 is a front view thereof.
FIG. 3 is a rear view thereof.
FIG. 4 is a left view thereof.
FIG. 5 is a right view thereof.
FIG. 6 is a top view thereof.
FIG. 7 is a bottom view thereof; and,
FIG. 8 is a rear perspective view thereof.

1 Claim, 5 Drawing Sheets



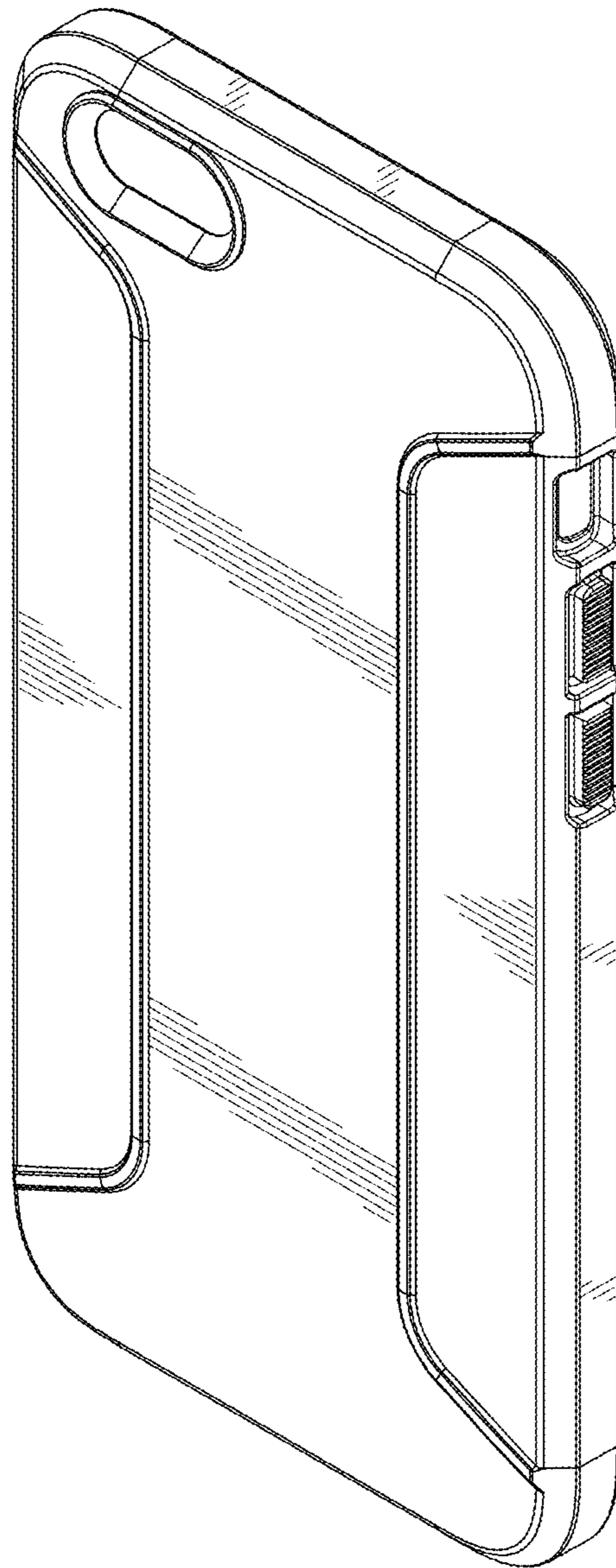


FIG. 1

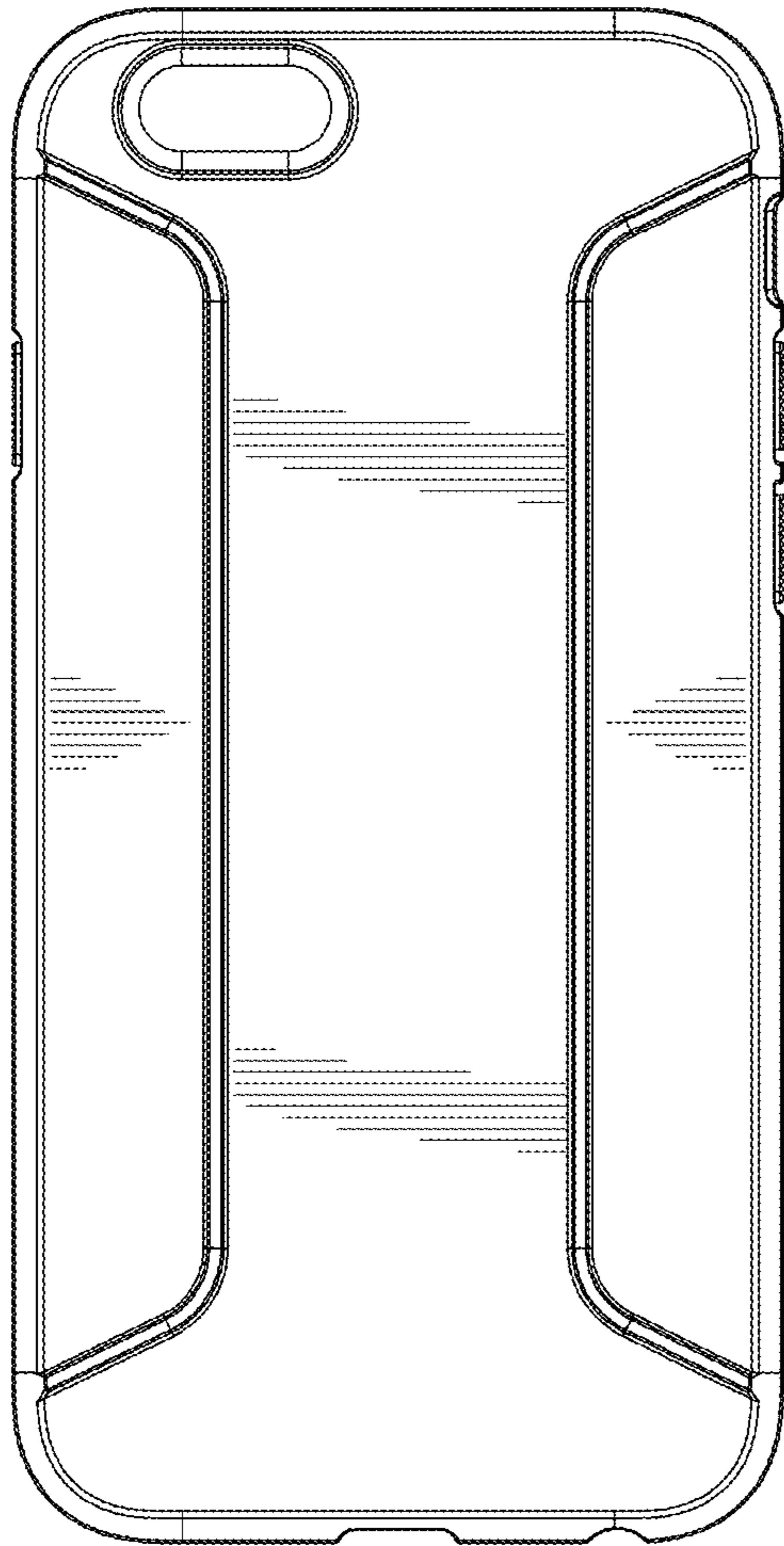


FIG. 2

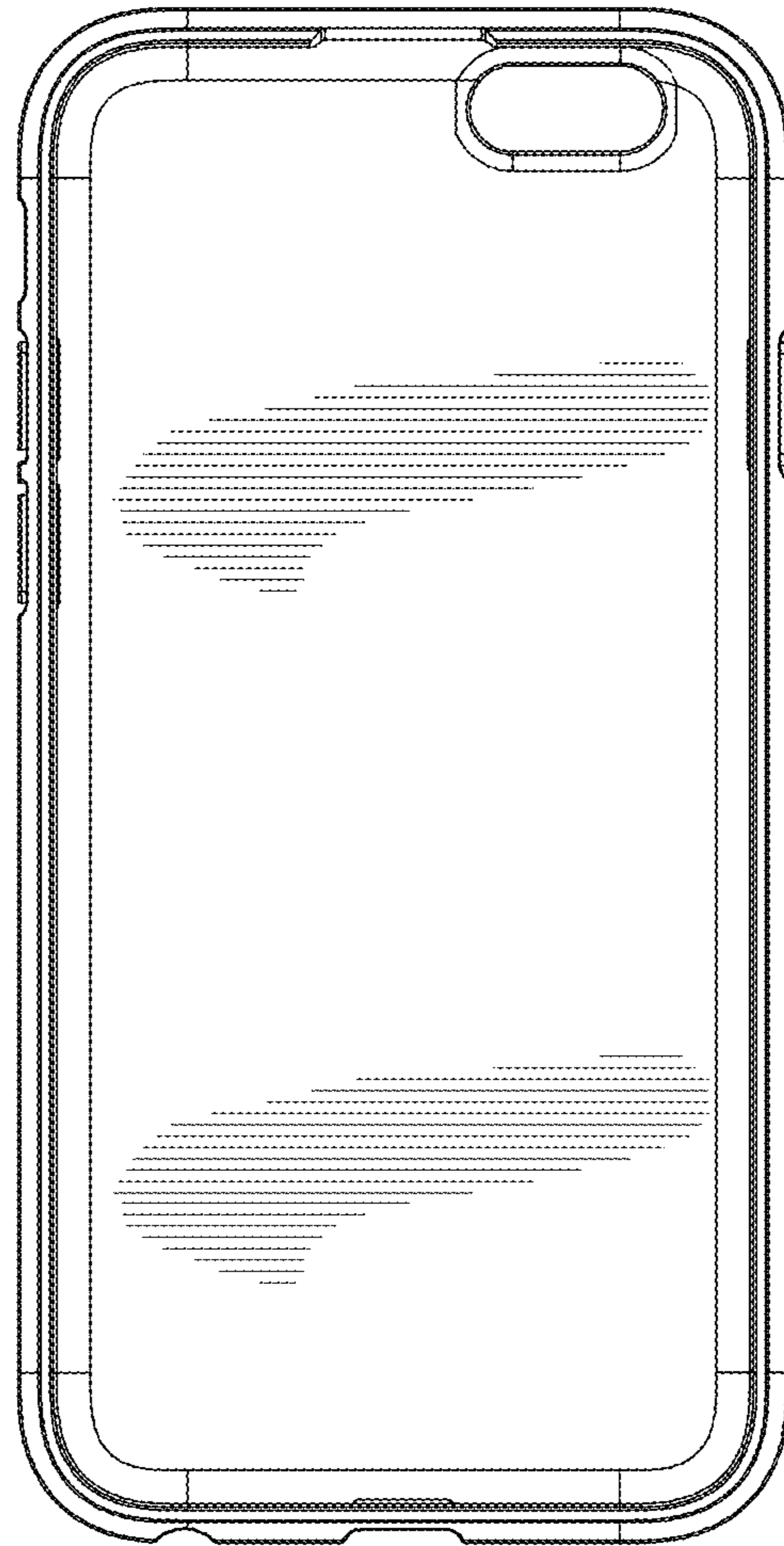


FIG. 3

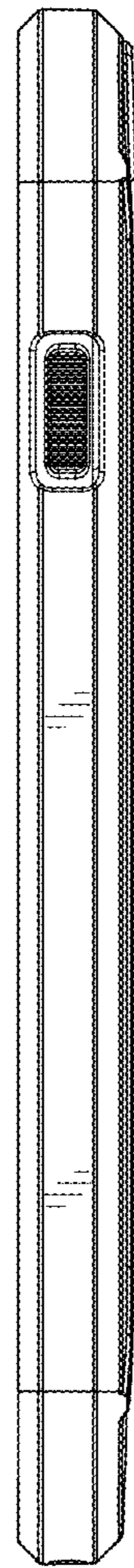


FIG. 4

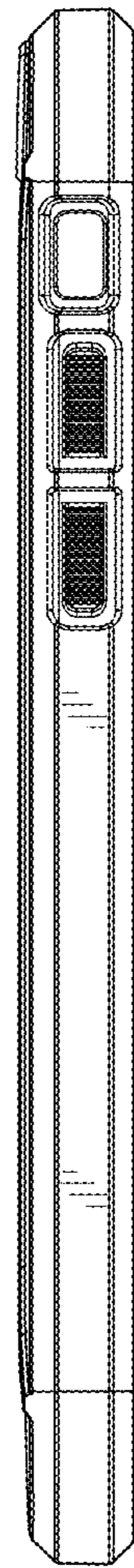


FIG. 5

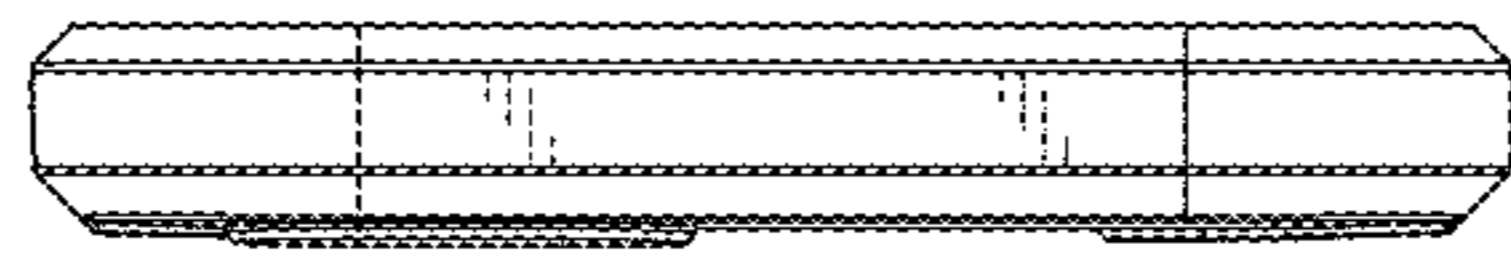


FIG. 6

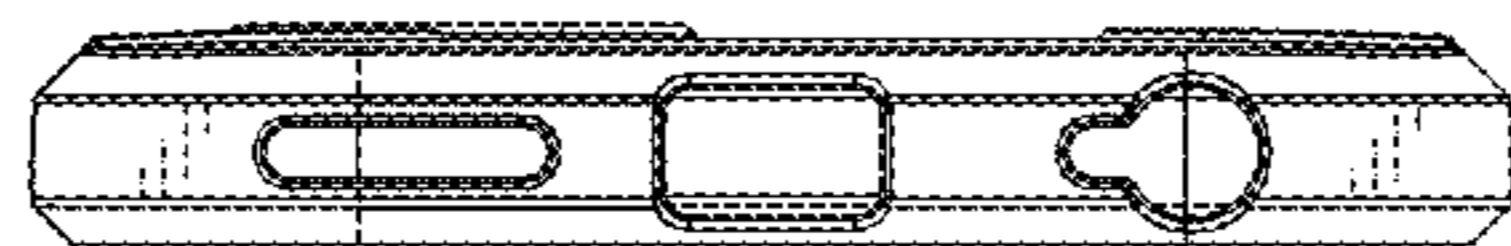


FIG. 7

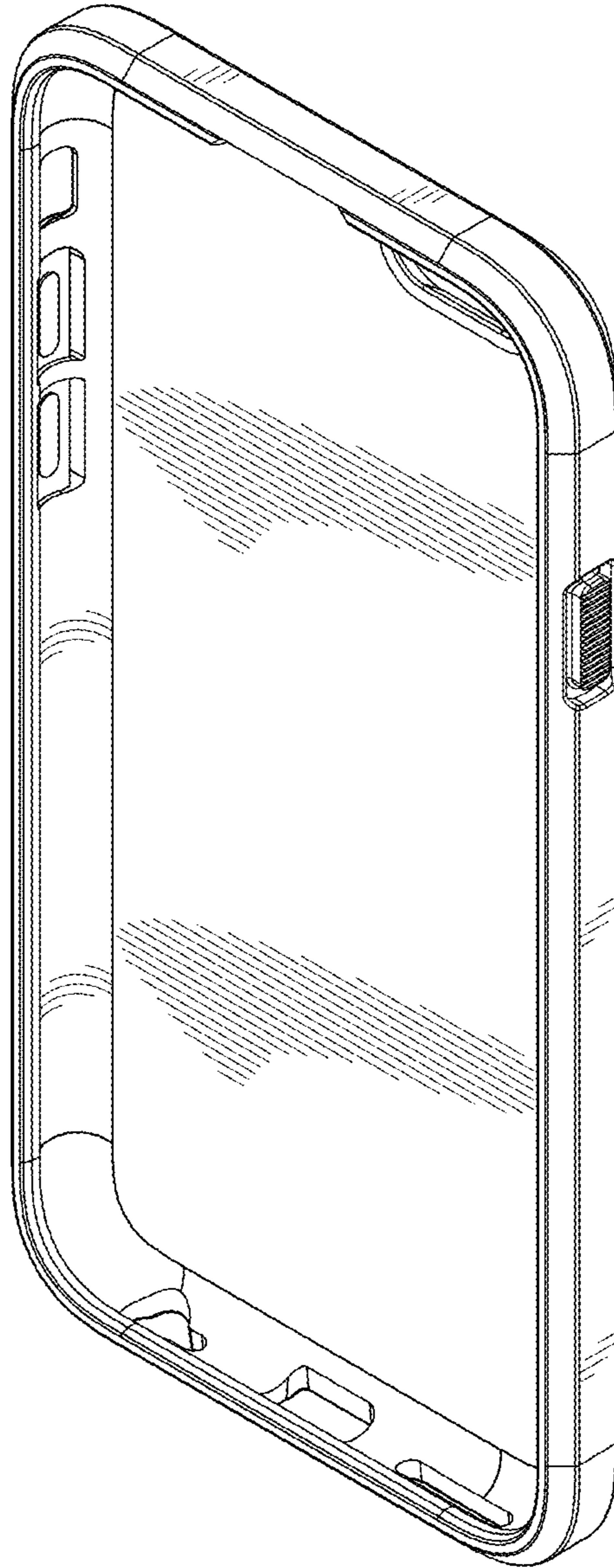


FIG. 8