



US00D772857S

(12) **United States Design Patent** (10) **Patent No.:** **US D772,857 S**
Poon (45) **Date of Patent:** **** Nov. 29, 2016**

(54) **CASE FOR PORTABLE ELECTRONIC COMMUNICATIONS DEVICE**

(71) Applicant: **Griffin Technology, Inc.**, Nashville, TN (US)

(72) Inventor: **Daniel Poon**, Nashville, TN (US)

(73) Assignee: **Griffin Technology, Inc.**, Nashville, TN (US)

(**) Term: **15 Years**

(21) Appl. No.: **29/540,284**

(22) Filed: **Sep. 23, 2015**

(51) **LOC (10) Cl.** **14-03**

(52) **U.S. Cl.**
USPC **D14/250**

(58) **Field of Classification Search**
USPC D14/238.1, 440, 203.3–203.7, 217, 240, D14/248, 251–253, 447, 496, 250; D3/201, D3/218, 247, 269, 273, 301, 303; D13/103, 107–108, 119
CPC H04B 1/3888; H04M 1/0283; H04M 1/0202; A45C 1/06; A45C 11/00; A45C 13/02; A45C 2011/002; A45F 2005/026; A45F 2200/0525; A45F 2200/0516
See application file for complete search history.

(56) **References Cited**

U.S. PATENT DOCUMENTS

D677,251 S *	3/2013	Melanson	D14/250
D680,522 S *	4/2013	Melanson	D14/250
D682,815 S *	5/2013	Chang	D14/250
D683,338 S *	5/2013	Wilson	D14/250
D685,779 S *	7/2013	Schriefer	D14/250
D687,027 S *	7/2013	Melanson	D14/250
D703,656 S *	4/2014	Witter	D14/250
D704,182 S *	5/2014	Smith	D14/250
D709,057 S *	7/2014	Wilson	D14/250
D714,276 S *	9/2014	Hu	D14/250
D724,069 S *	3/2015	Kyum	D14/250
D726,170 S *	4/2015	Ng	D14/250

D740,798 S *	10/2015	Poon	D14/250
D741,844 S *	10/2015	Rayner	D14/250
D744,995 S *	12/2015	Lerenthal	D14/250
9,220,328 B2 *	12/2015	Magness	A45C 11/00
9,241,551 B2 *	1/2016	Lawson	A45C 11/00

(Continued)

Primary Examiner — Carla Jobe Wright

(74) *Attorney, Agent, or Firm* — HornKohl Intellectual Property Law, PLLC; Jason L. Hornkohl

(57) **CLAIM**

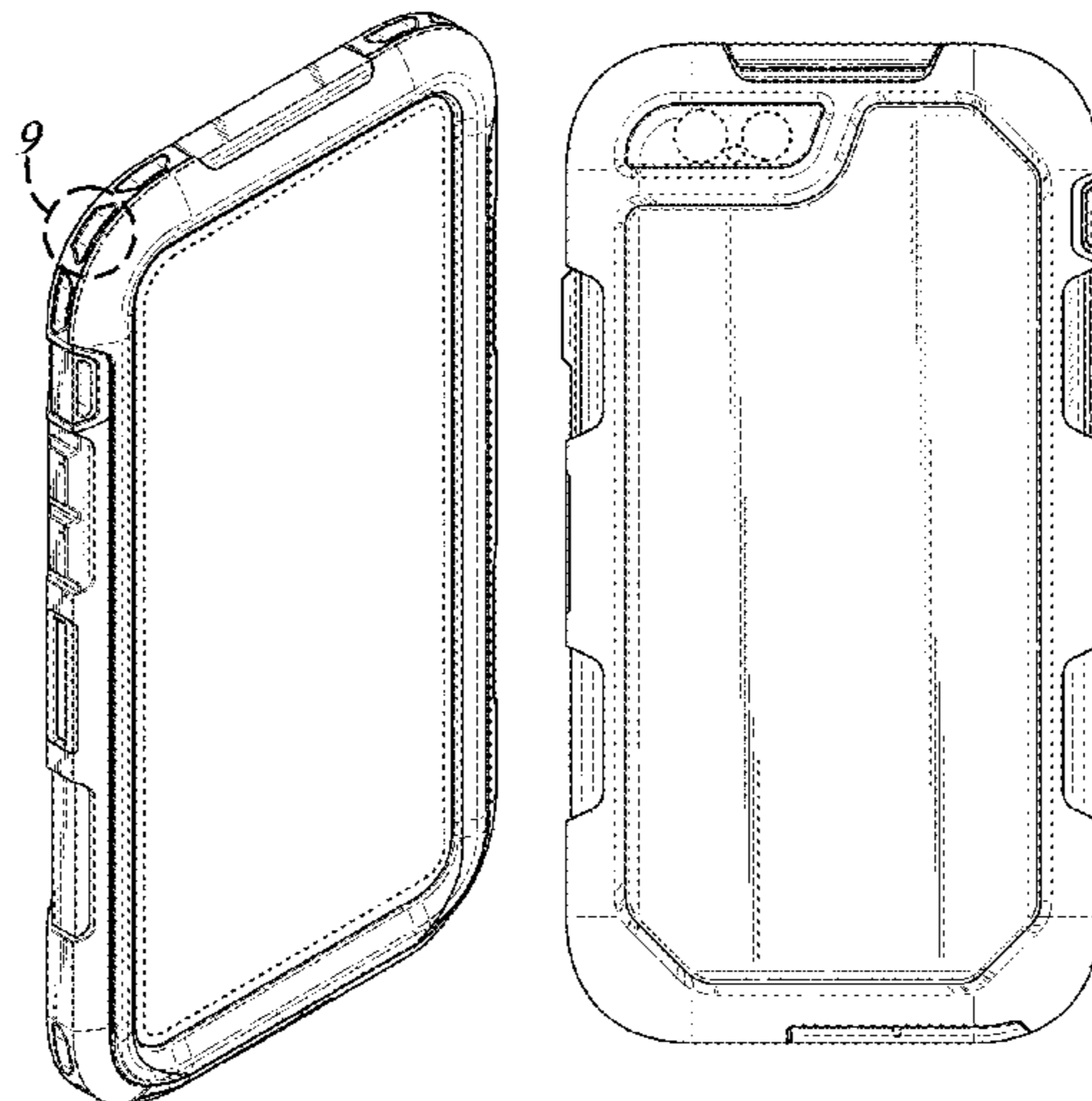
The ornamental design for a case for portable electronic communications device, as shown and described.

DESCRIPTION

FIG. 1 is a front perspective view of a case for portable electronic communications device showing my new design; FIG. 2 is a back perspective view of the case for portable electronic communications device; FIG. 3 is a front view of the case for portable electronic communications device; FIG. 4 is a left side view of the case for portable electronic communications device; FIG. 5 is a right side view of the case for portable electronic communications device; FIG. 6 is a top view of the case for portable electronic communications device; FIG. 7 is a bottom view of the case for portable electronic communications device; FIG. 8 is a back view of the case for portable electronic communications device; and, FIG. 9 is an enlarged fragmentary view taken from FIG. 1 to more clearly disclose the appearance and configuration of a representative feature that is repeated around the periphery of the case.

The circular broken line in FIGS. 1 and 9 delineates a portion of the claimed design that is shown on an enlarged scale in FIG. 9. All other broken lines depict portions of the case for portable electronic communications device that form no part of the claimed design.

1 Claim, 4 Drawing Sheets



(56)

References Cited

U.S. PATENT DOCUMENTS

9,264,089 B2 *	2/2016	Tages	H04M 1/185	2014/0268519 A1 *	9/2014	Huang	H04B 1/3888 361/679.01
D759,641 S *	6/2016	Lai	D14/250	2016/0094263 A1 *	3/2016	Fathollahi	H04B 1/3888 455/575.8
2014/0166707 A1 *	6/2014	Leisey-Bartsch	H04B 1/3888 224/197	2016/0106202 A1 *	4/2016	Ford	A45C 13/1069 224/267

* cited by examiner

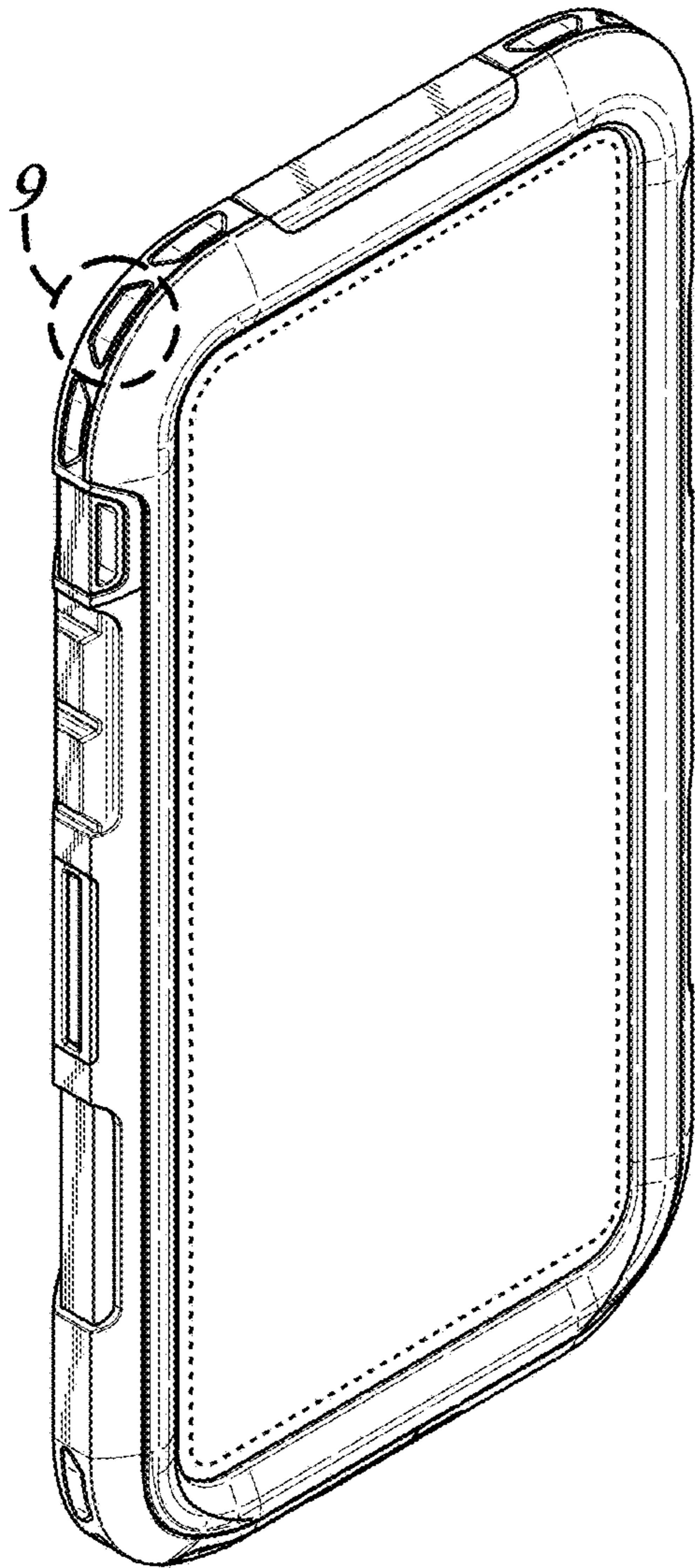


FIG. 1

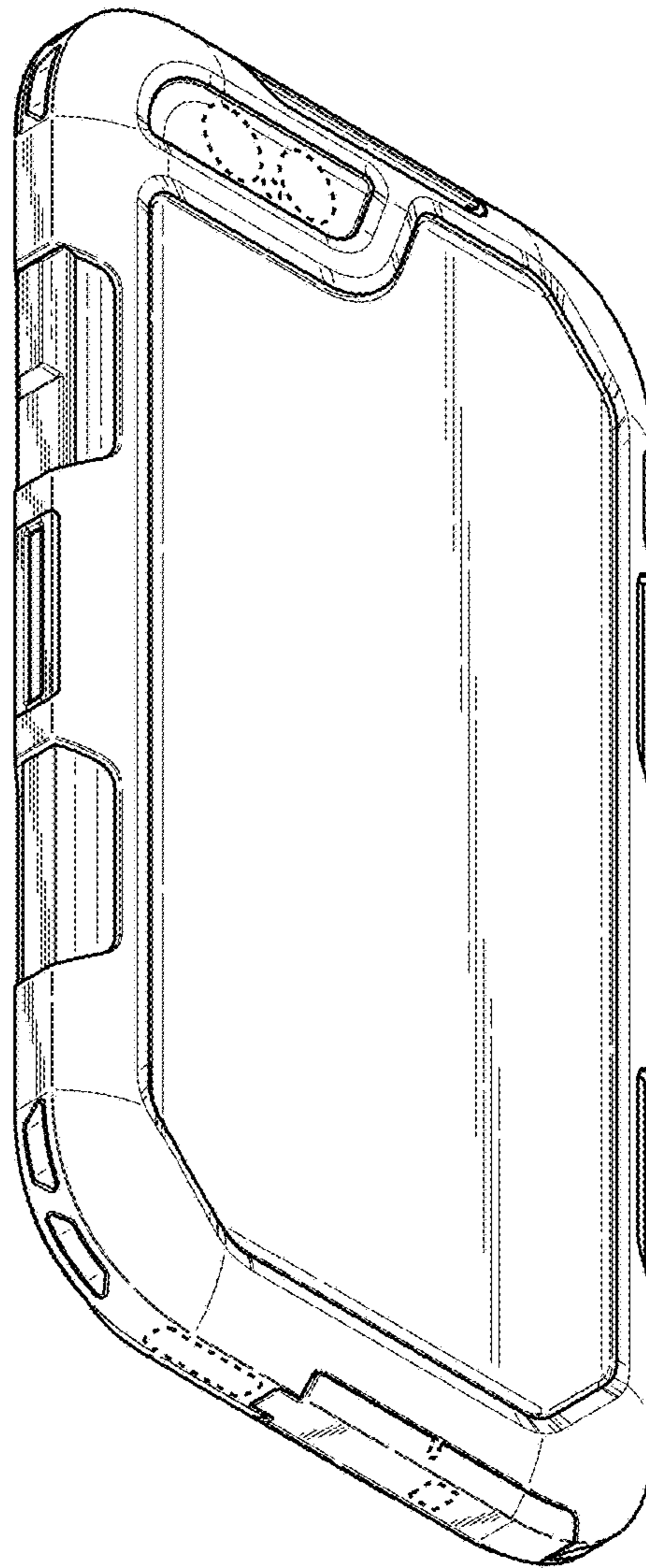


FIG. 2

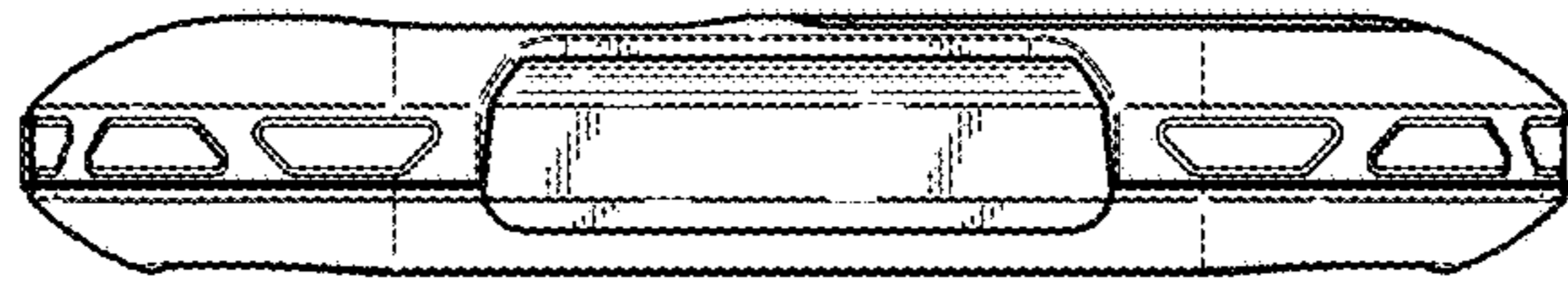


FIG. 6

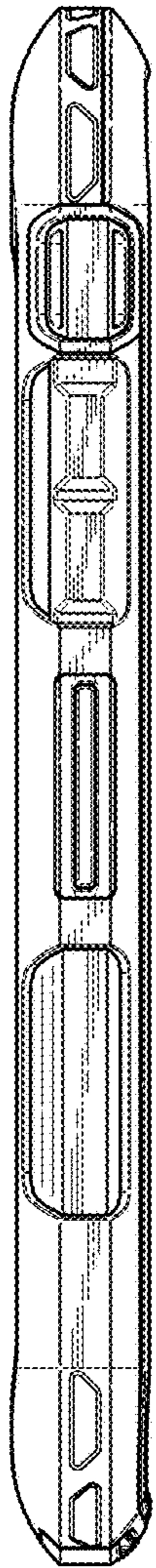


FIG. 4

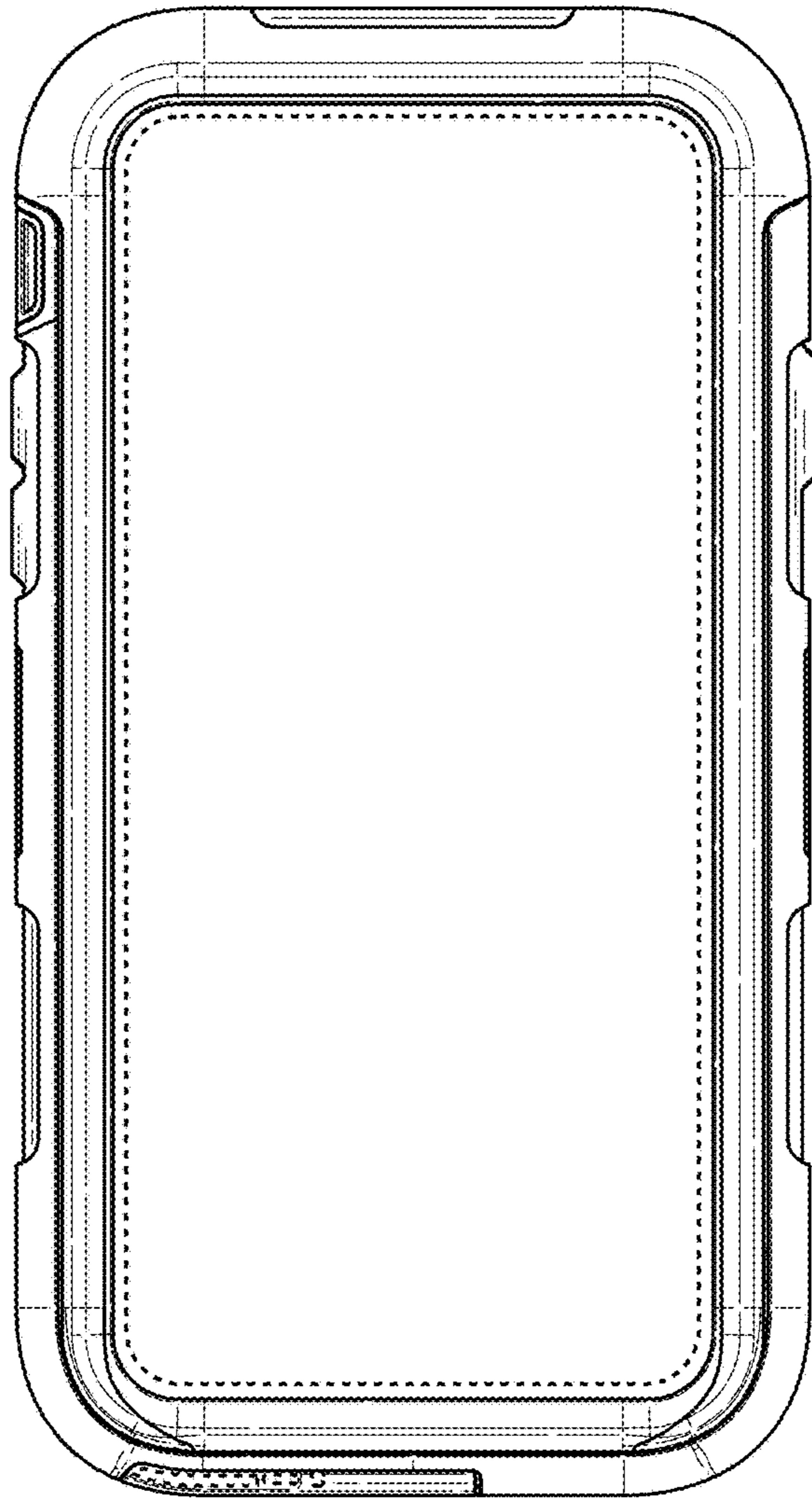


FIG. 3

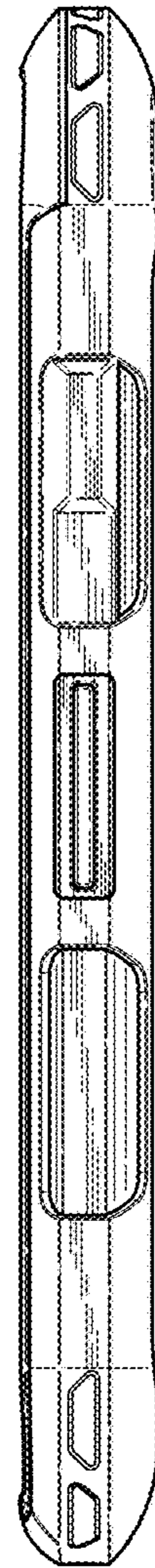


FIG. 5



FIG. 7

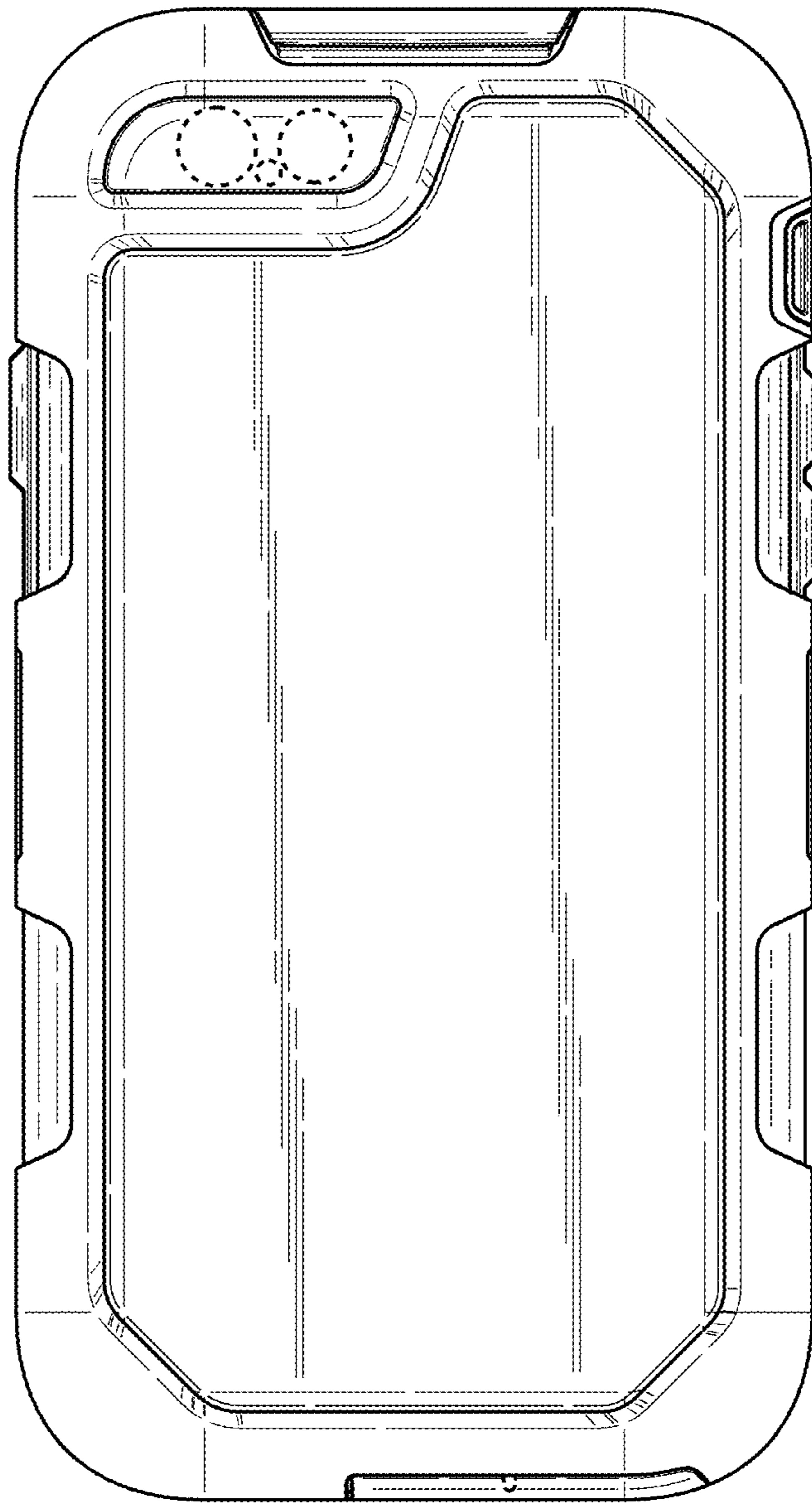


FIG. 8

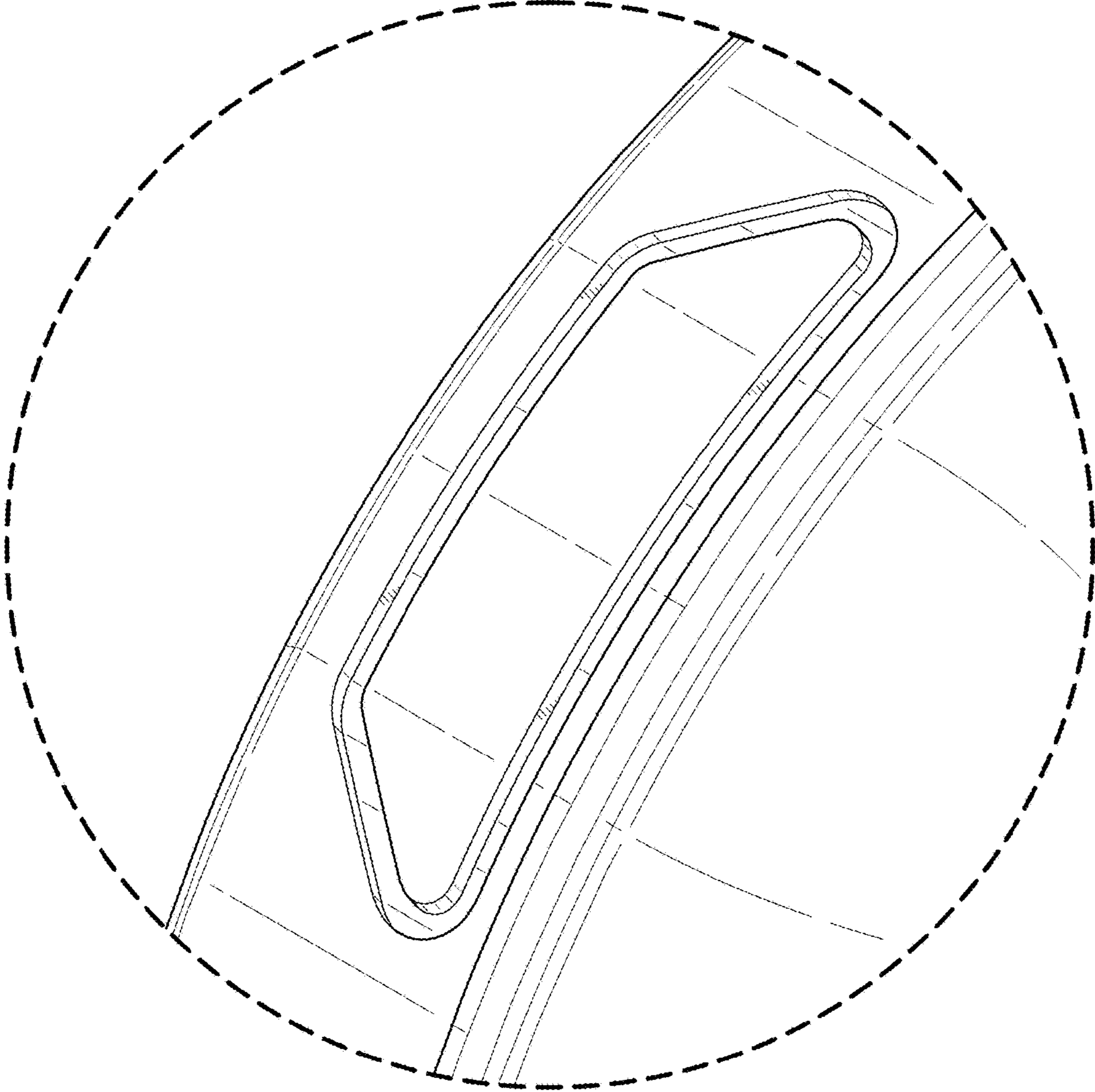


FIG. 9