



US00D772853S

(12) **United States Design Patent**
Wicks et al.

(10) **Patent No.:** **US D772,853 S**

(45) **Date of Patent:** **** Nov. 29, 2016**

(54) **INDICATOR FOR A CASE**

(71) Applicant: **OTTER PRODUCTS, LLC**, Fort Collins, CO (US)

(72) Inventors: **Jeffrey C. Wicks**, Fort Collins, CO (US); **Ryan D. Selden**, Fort Collins, CO (US); **Jonathan B. Rayeski**, Fort Collins, CO (US); **John P. Fitzgerald**, Fort Collins, CO (US)

(73) Assignee: **Otter Products, LLC**, Fort Collins, CO (US)

(**) Term: **14 Years**

(21) Appl. No.: **29/494,081**

(22) Filed: **Jun. 17, 2014**

(51) **LOC (10) Cl.** **14-03**

(52) **U.S. Cl.**
USPC **D14/250**

(58) **Field of Classification Search**

USPC D14/250–253, 440, 203.3–203.7, 217, D14/496, 248, 238.1, 240, 447, 230, 247, D14/341, 345, 346, 439; D3/201, 218, 269, D3/301, 273, 303, 247, 249; D13/103, D13/107–108, 119; D11/178.1; D19/10; 361/679.56; 379/426, 433.11, 455; 455/75.1, 575.8; 190/100; 206/305, 206/320; 220/4.02; 248/309.1
CPC A45C 2011/002; A45C 11/00; A45C 13/002; A45C 2011/003; H04M 1/0283; H04M 1/0202

See application file for complete search history.

(56) **References Cited**

U.S. PATENT DOCUMENTS

D423,514 S * 4/2000 Shindo D14/240
D475,710 S * 6/2003 Sheehan D14/401
D612,865 S * 3/2010 Zhang D14/496
D627,771 S * 11/2010 Smith D14/253

D689,828 S * 9/2013 Pierson D13/174
D718,290 S * 11/2014 Whitten D14/250
D720,342 S * 12/2014 Starrett D14/252
D722,603 S * 2/2015 Lay D14/447
D725,119 S * 3/2015 Gaylord D14/440
D726,732 S * 4/2015 Lay D14/440
D739,857 S * 9/2015 Lay D10/80
D748,639 S * 2/2016 Khodapanah D14/447
2013/0184077 A1 * 7/2013 Galpern A63F 13/02
463/37

* cited by examiner

Primary Examiner — Sandra Snapp

Assistant Examiner — Holly E Thurman

(57) **CLAIM**

The ornamental design for an indicator for a case, as shown and described.

DESCRIPTION

FIG. 1 is a front isometric view of an indicator for a case showing our new design;

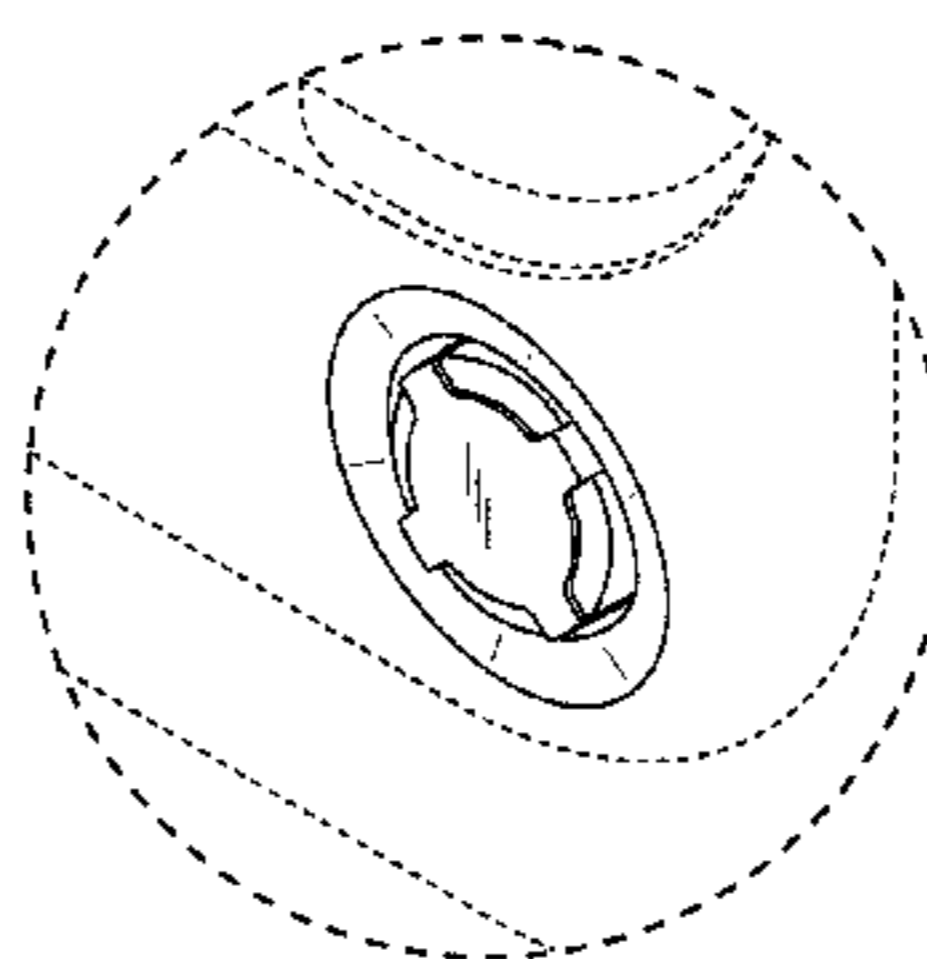
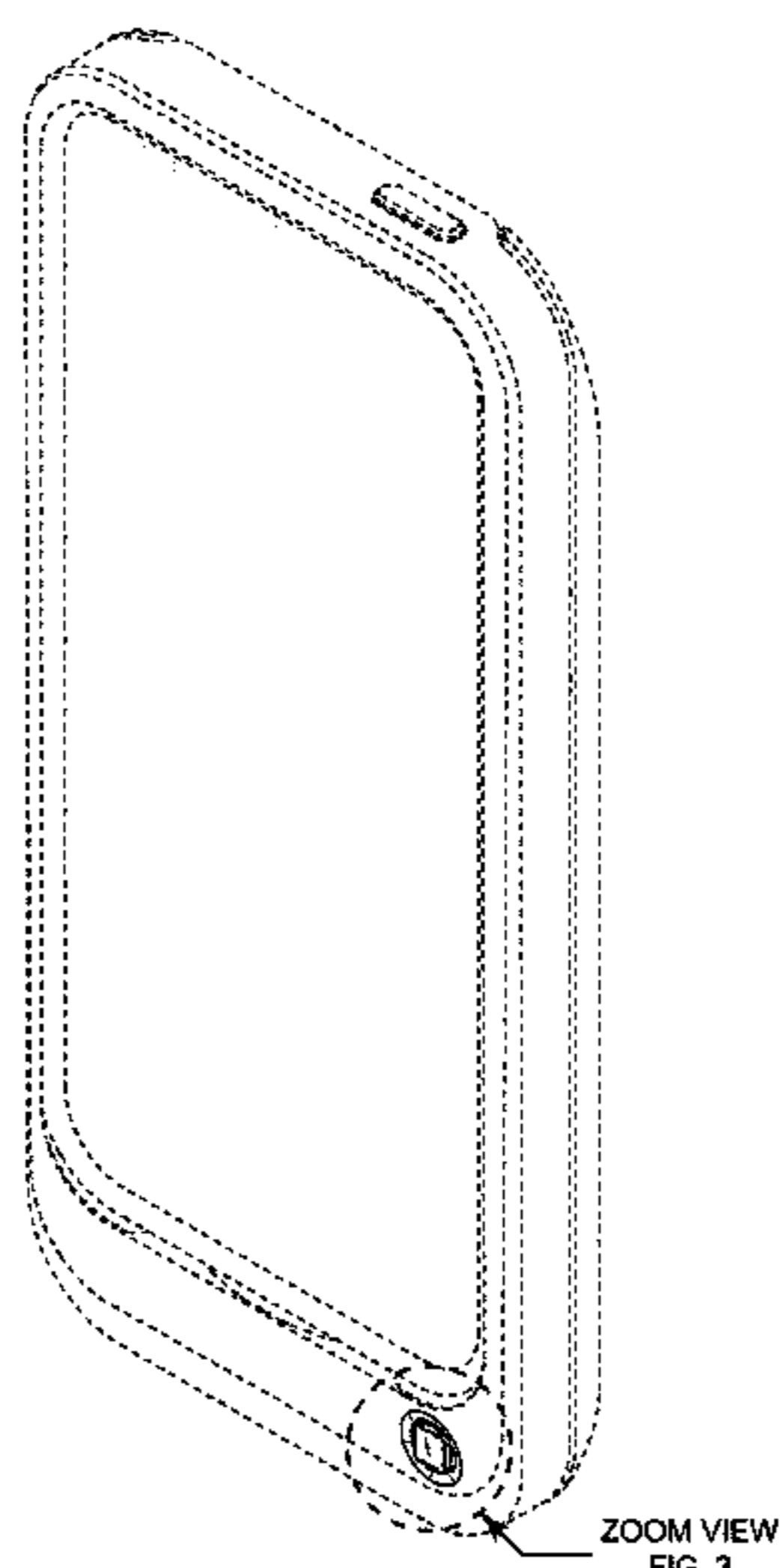
FIG. 2 is a front view thereof;

FIG. 3 is an enlarged isometric view of the encircled portion as shown in FIG. 1; and,

FIG. 4 is an enlarged view of the encircled portion as shown in FIG. 2.

In FIGS. 1 and 2, broken lines encircle and indicate the indicator for a case shown on an enlarged scale in FIGS. 3 and 4 respectively. All other broken lines depict environmental features. The broken lines form no part of the claimed design.

1 Claim, 3 Drawing Sheets



ZOOM VIEW
FIG. 3

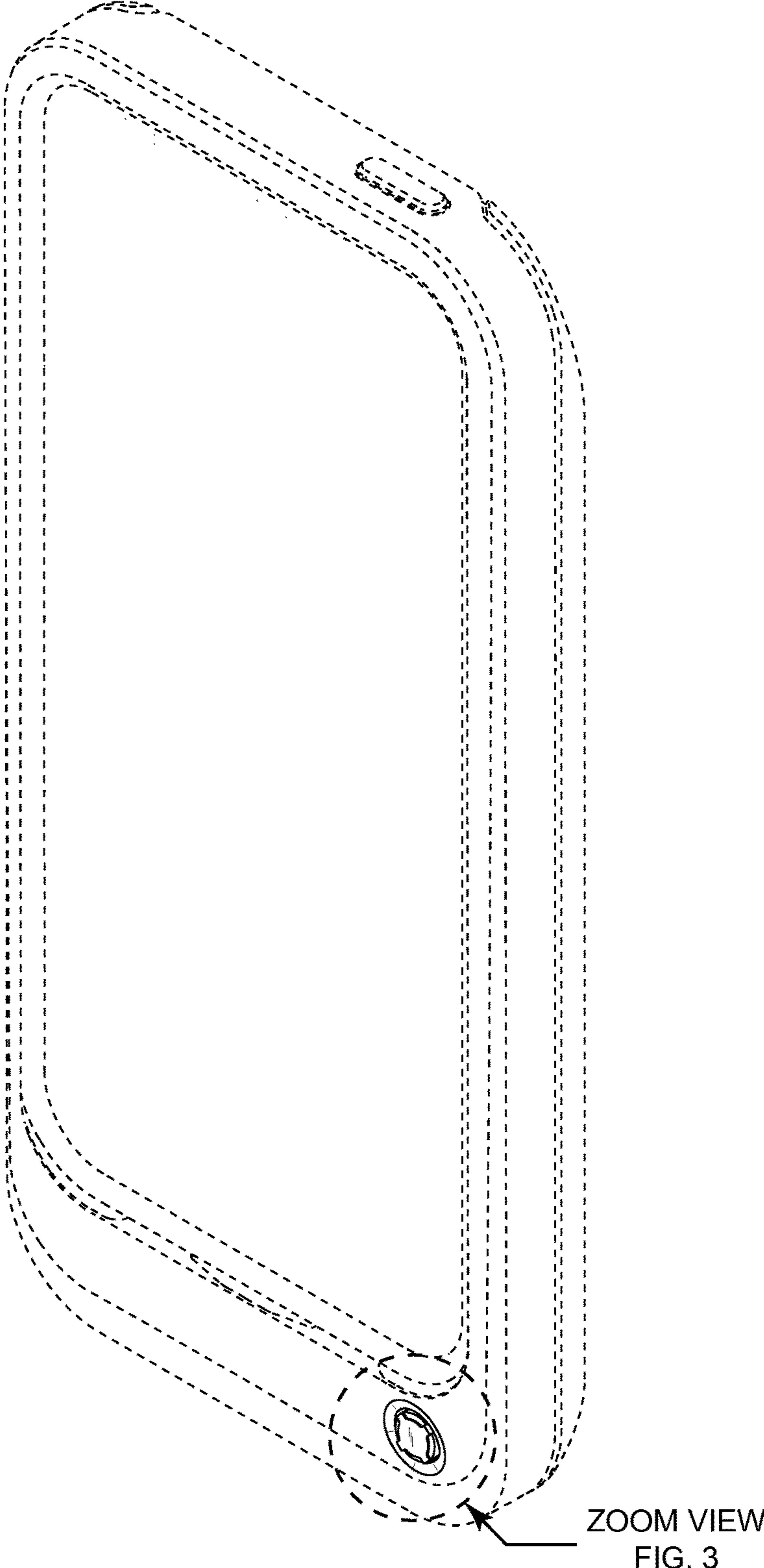


FIG. 1

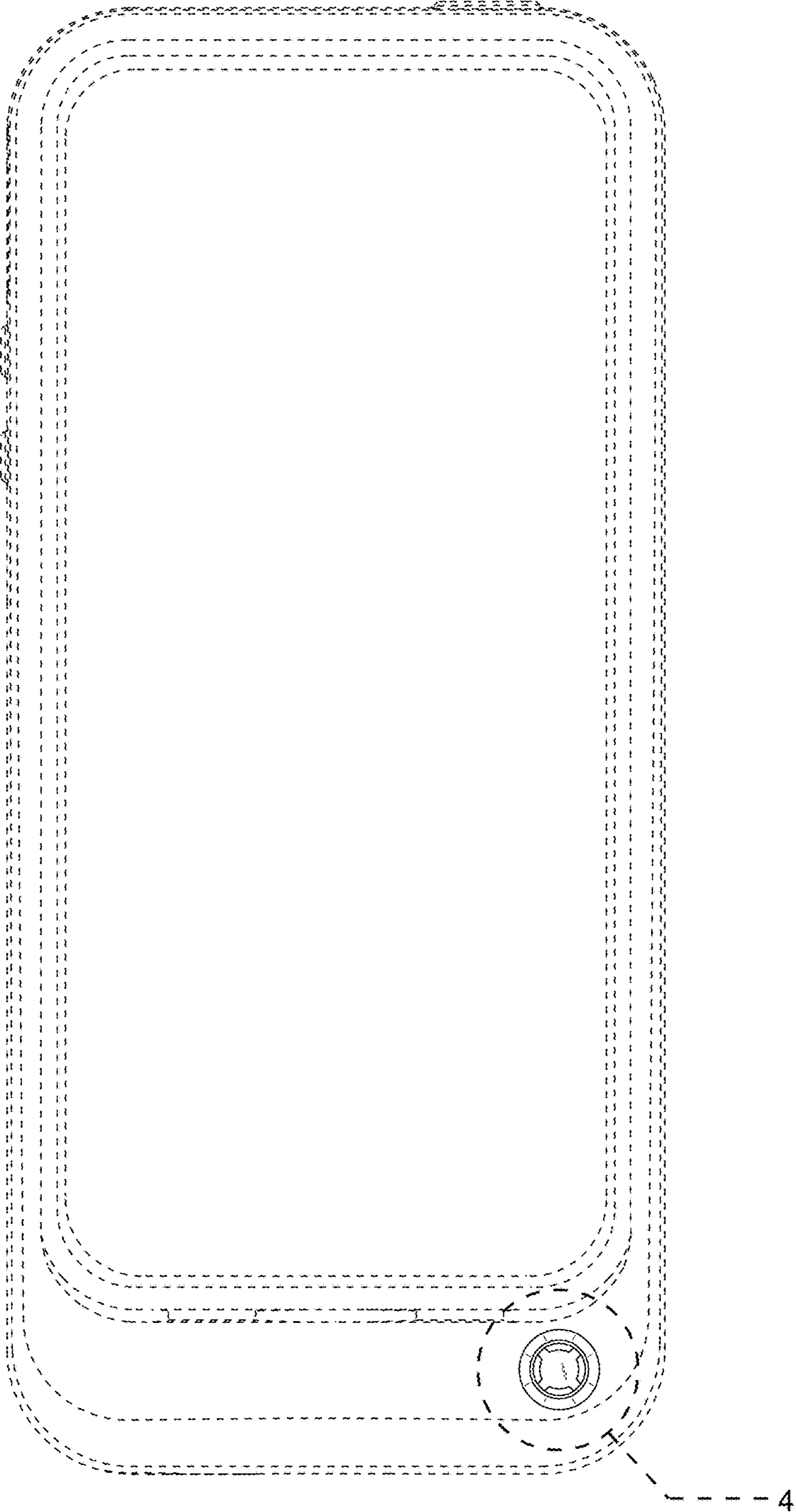


FIG. 2

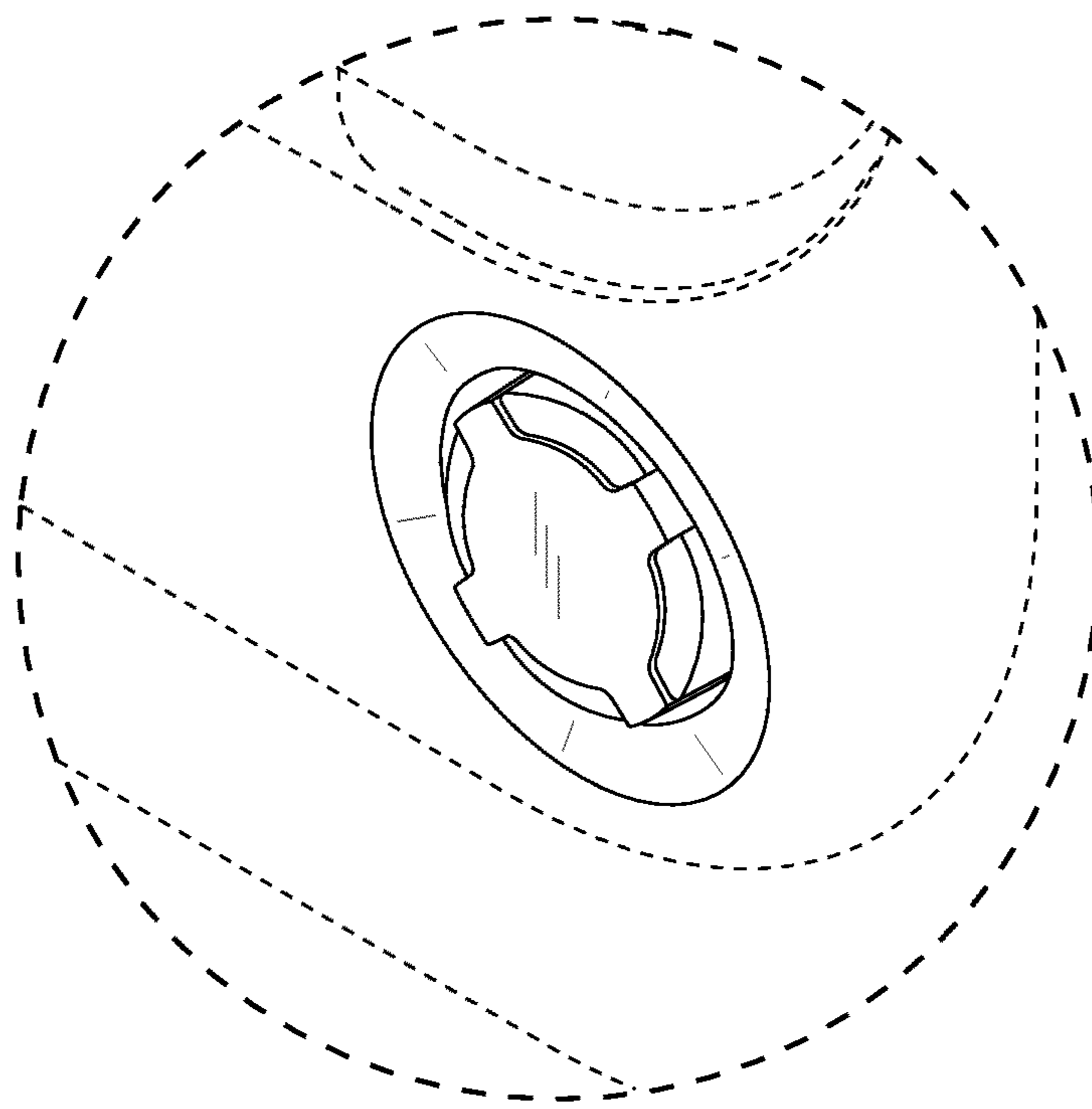


FIG. 3

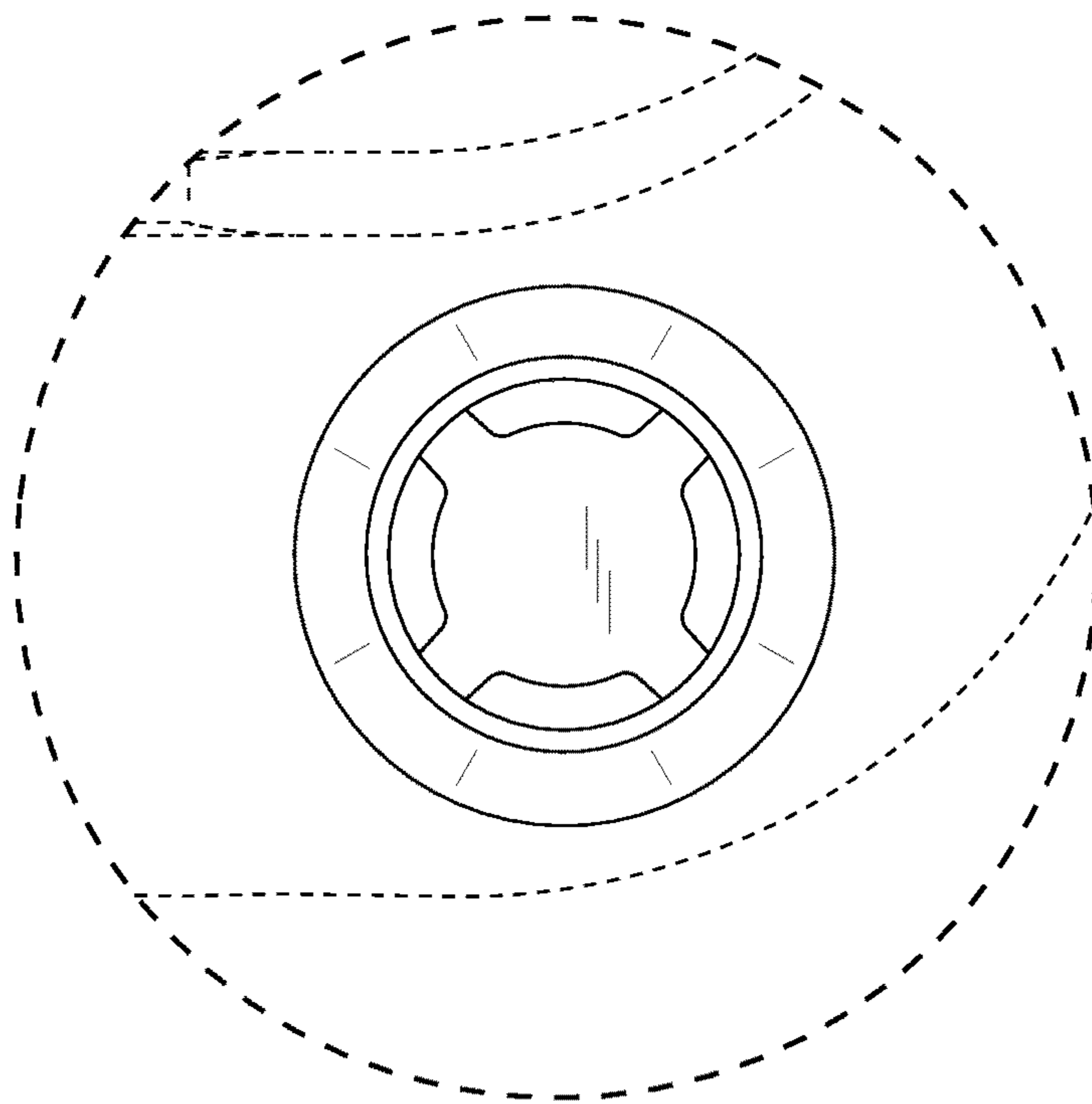


FIG. 4