



US00D772849S

(12) **United States Design Patent** (10) **Patent No.:** **US D772,849 S**
Chen (45) **Date of Patent:** **** Nov. 29, 2016**

(54) **ANTENNA**

FOREIGN PATENT DOCUMENTS

(71) Applicant: **FOXCONN INTERCONNECT TECHNOLOGY LIMITED**, Grand Cayman (KY)

CN 2593384 12/2003

(72) Inventor: **Shun-Sheng Chen**, New Taipei (TW)

http://www.semiconductorstore.com/Pages/asp/Item_MoreImages.asp?ItemNumber=FISS35063-MR-16—Retrieved Jun. 21, 2016.*

(73) Assignee: **FOXCONN INTERCONNECT TECHNOLOGY LIMITED**, Grand Cayman (KY)

* cited by examiner

(**) Term: **15 Years**

Primary Examiner — Manpreet Matharu

Assistant Examiner — Mojtaba Tehrani

(21) Appl. No.: **29/527,827**

(74) *Attorney, Agent, or Firm* — Wei Te Chung; Ming Chieh Chang

(22) Filed: **May 21, 2015**

(30) **Foreign Application Priority Data**

Nov. 21, 2014 (TW) 103306822

(51) **LOC (10) Cl.** **14-03**

(52) **U.S. Cl.**
USPC **D14/230**

(58) **Field of Classification Search**
USPC D14/138, 230–238.1, 299, 358;
D13/182
CPC H01L 33/48; H01L 33/486; H01L 23/02;
H05K 5/00; H01Q 13/10
See application file for complete search history.

(56) **References Cited**

U.S. PATENT DOCUMENTS

D710,833 S * 8/2014 Zheng D14/230
D716,775 S * 11/2014 Bidermann D14/230
D750,049 S * 2/2016 Podduturi D14/230
2011/0140284 A1 * 6/2011 Gunther H01L 25/0753
257/777

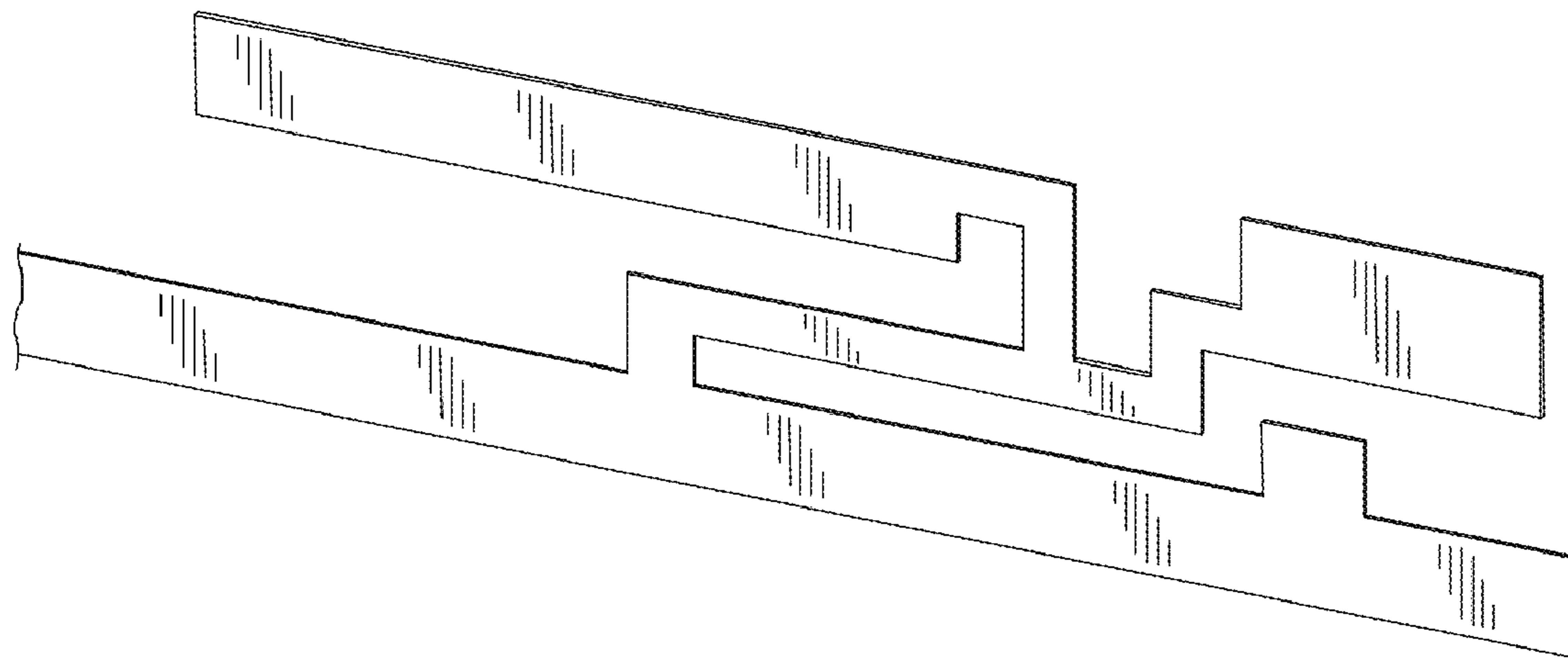
(57) **CLAIM**

The ornamental design for an antenna, as shown and described.

DESCRIPTION

FIG. 1 is a perspective view of an antenna showing my new design;
FIG. 2 is a front elevational view thereof;
FIG. 3 is a rear elevational view thereof;
FIG. 4 is a left side elevational view thereof;
FIG. 5 is a right side elevational view thereof;
FIG. 6 is a top plan view thereof; and,
FIG. 7 is a bottom plan view thereof.
The break lines that separate parts of the antenna and the portion outside of these break lines represent indeterminate length and form no part of the claimed design.

1 Claim, 7 Drawing Sheets



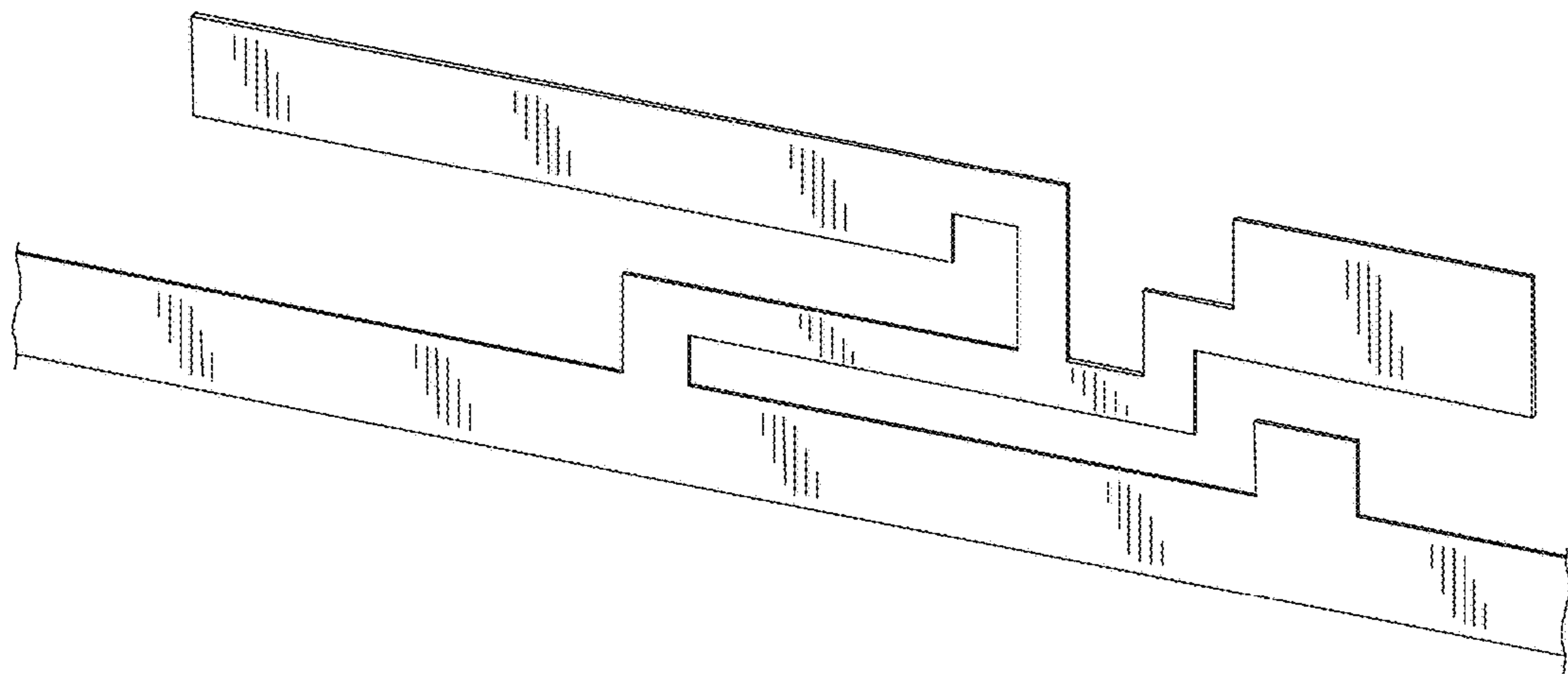


FIG. 1

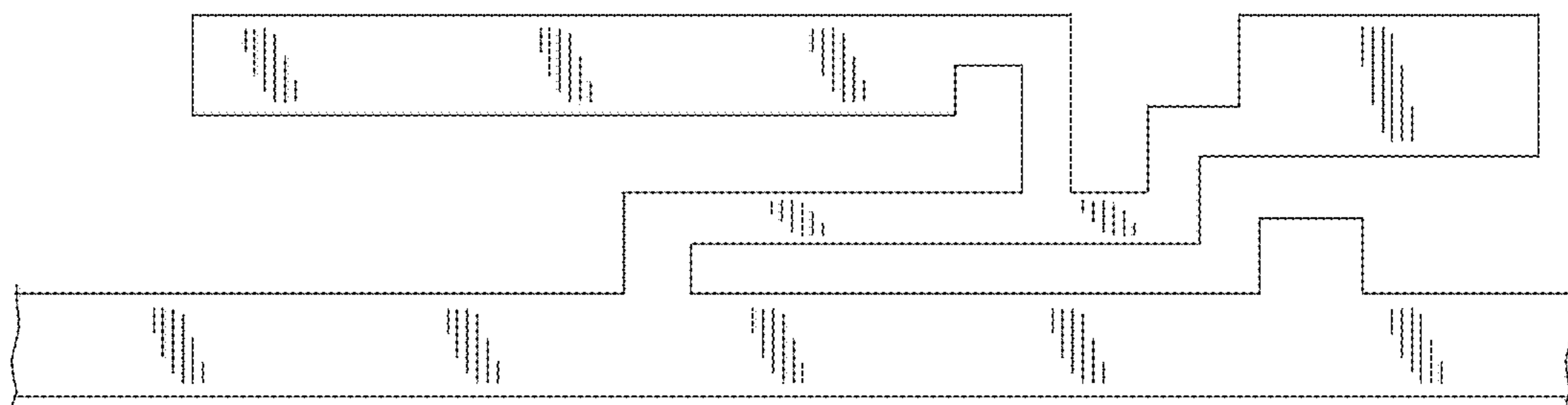


FIG. 2

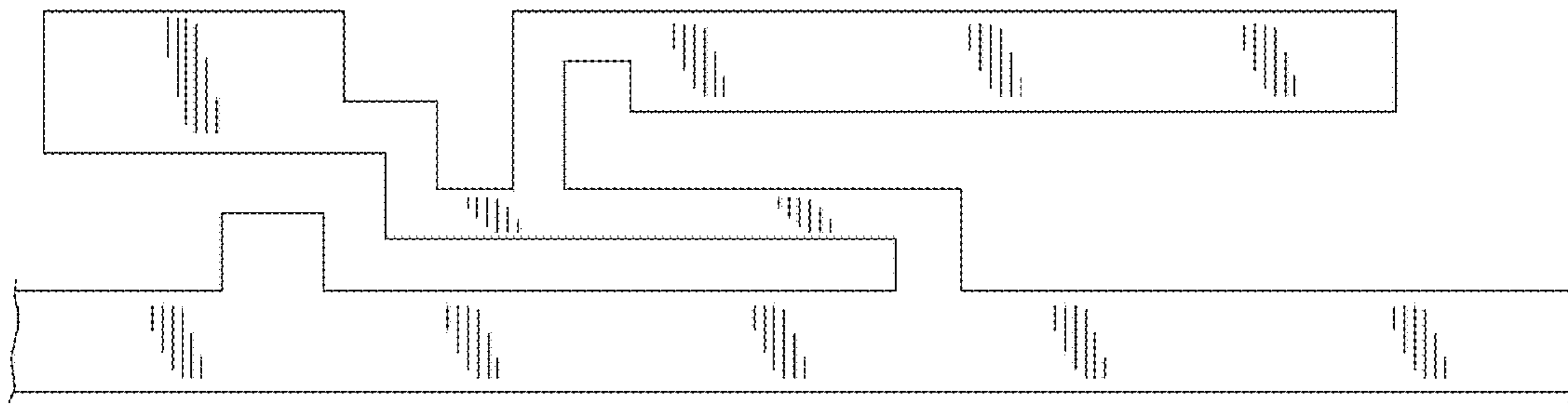


FIG. 3



FIG. 4



FIG. 5

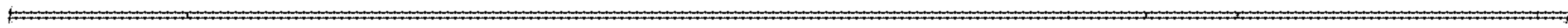


FIG. 6

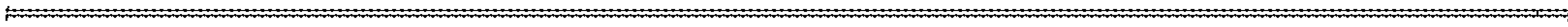


FIG. 7