



US00D772848S

(12) **United States Design Patent**
Sunwoo et al.

(10) **Patent No.:** **US D772,848 S**

(45) **Date of Patent:** **** Nov. 29, 2016**

(54) **MICROPHONE**

(71) Applicant: **Freedman Electronics Pty. Ltd.**,
Silverwater, NSW (AU)

(72) Inventors: **Sun Kyung Sunwoo**, Sydney (AU);
See Lih Ong, Sydney (AU); **Samuel Dean Trewartha**, Silverwater (AU);
Lisa Gyecsek, Silverwater (AU); **Peter Noel Cooper**, Silverwater (AU)

(**) Term: **14 Years**

(21) Appl. No.: **29/522,199**

(22) Filed: **Mar. 27, 2015**

(51) **LOC (10) Cl.** **14-01**

(52) **U.S. Cl.**
USPC **D14/227**

(58) **Field of Classification Search**
USPC D14/225-229, 234; 381/122, 355, 361;
248/368, 124.2, 185.1, 316.3, 74.3;
24/339; D8/306, 355, 394, 396;
455/344, 575.2, 569.1, 90.3; D17/10,
D17/99, 22; 403/391; 348/311.14; 52/687;
267/136
CPC H04R 9/08; H04R 25/00; H04R 1/02;
A47G 1/10
See application file for complete search history.

(56) **References Cited**

U.S. PATENT DOCUMENTS

2,767,989 A * 10/1956 Luebbers F16M 11/04
248/187.1
D194,151 S 11/1962 Deschamps et al.
D232,699 S * 9/1974 Bartunck D26/140
D233,669 S * 11/1974 Plice D14/228
4,194,096 A 3/1980 Ramsey
4,514,598 A 4/1985 Plice
4,546,950 A * 10/1985 Cech F16F 1/46
211/60.1
4,577,070 A * 3/1986 Shulman H04R 1/08
248/104

D296,099 S * 6/1988 Kubota D14/227
4,811,405 A 3/1989 Peiker
4,929,973 A * 5/1990 Nakatani F16M 11/04
248/177.1
D313,802 S 1/1991 Peiker
D314,325 S * 2/1991 Ziaylek, Jr. D8/373
4,991,220 A 2/1991 Wolf
5,031,872 A * 7/1991 Vance F16F 9/0481
248/187.1

(Continued)

OTHER PUBLICATIONS

Videomic Pro Shockmount. dvinfo.net (online forum). 1 Page.
Uploaded Oct. 2008[retrieved on Dec. 30, 2014]. Retrieved from
Internet:<<http://www.dvinfo.net/forum/all-things-audio/509637>.
Retrieved Mar. 7, 2016 from Design U.S. Pat. No. D. 737,804.*

(Continued)

Primary Examiner — Paula Greene
(74) *Attorney, Agent, or Firm* — Saidman DesignLaw
Group, LLC

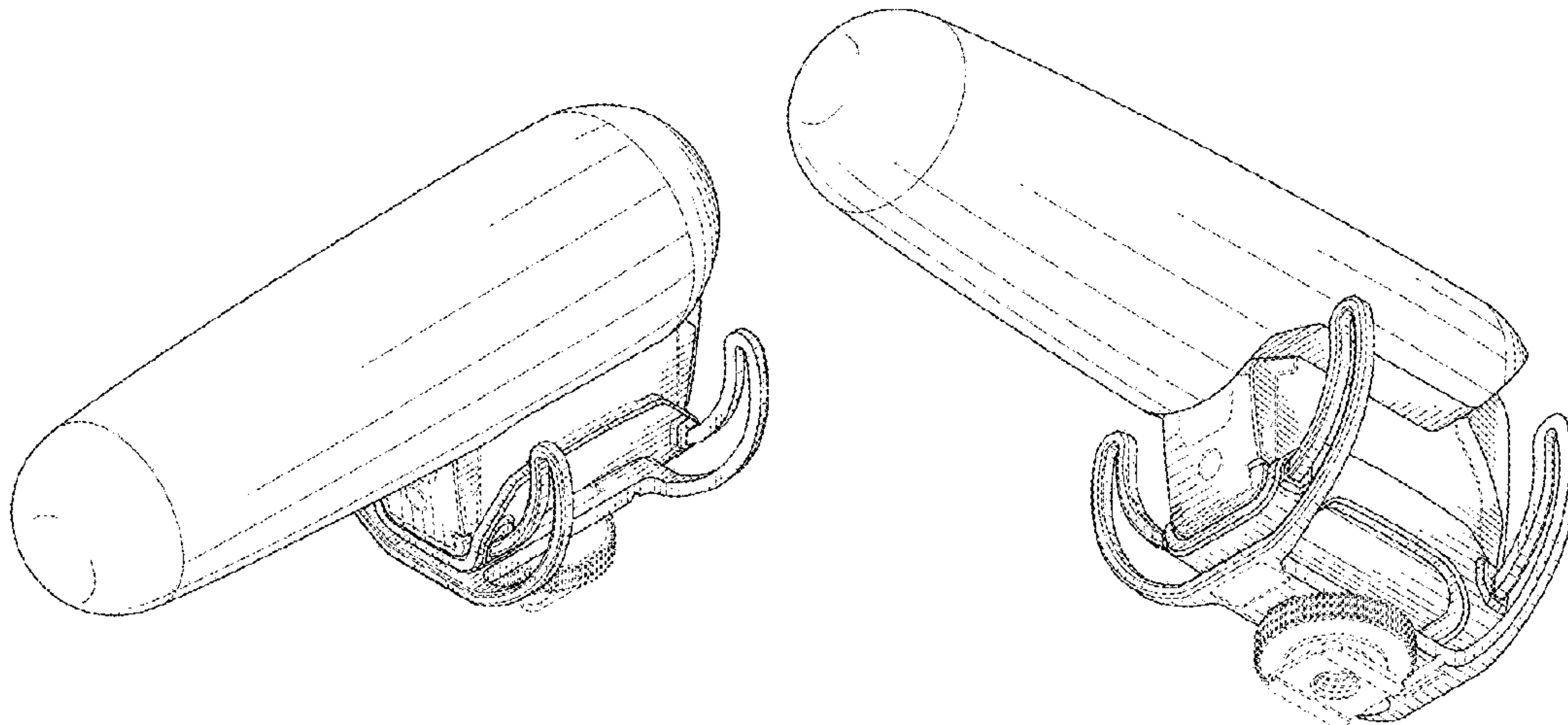
(57) **CLAIM**

The ornamental design for a microphone, as shown and
described.

DESCRIPTION

FIG. 1 is a top perspective view of a microphone showing
our new design;
FIG. 2 is a bottom perspective view thereof;
FIG. 3 is another top perspective view thereof;
FIG. 4 is another bottom perspective view thereof;
FIG. 5 is a front view thereof;
FIG. 6 is a rear view thereof;
FIG. 7 is a right side view thereof;
FIG. 8 is a left side view thereof;
FIG. 9 is a top view thereof; and,
FIG. 10 is a bottom view thereof.
The dashed broken lines illustrate structure or features
which form no part of the claimed design.

1 Claim, 10 Drawing Sheets



(56)

References Cited

U.S. PATENT DOCUMENTS

5,303,304 A * 4/1994 Lee G11B 31/006
348/373

5,642,557 A 7/1997 Clews

D427,586 S 7/2000 Cozzolino et al.

D427,995 S 7/2000 Cozzolino et al.

6,220,557 B1 * 4/2001 Ziaylek A62C 13/78
248/154

6,459,802 B1 10/2002 Young

6,768,804 B1 7/2004 Isvan

D506,385 S * 6/2005 Brown D8/394

6,922,475 B2 * 7/2005 Hsieh H04R 1/08
381/361

D511,192 S 11/2005 Nishihara

D516,642 S 3/2006 Swiszc et al.

D516,645 S 3/2006 Chung

D516,646 S 3/2006 Yang

D518,862 S 4/2006 Swiszc et al.

D563,396 S * 3/2008 Probst D14/228

D569,842 S 5/2008 Yang

D586,791 S 2/2009 Birger et al.

D591,785 S 5/2009 Fong

D592,190 S 5/2009 Birger

D602,920 S 10/2009 Fleischer et al.

D603,381 S 11/2009 Fleischer et al.

D605,183 S 12/2009 Fleischer et al.

D606,521 S 12/2009 Birger

D609,695 S 2/2010 Cigliano et al.

D619,452 S * 7/2010 Ollila D8/396

D619,998 S 7/2010 Birger

D620,926 S 8/2010 Wai

D645,849 S 9/2011 Kim et al.

8,054,336 B2 * 11/2011 Vanderwilt F16M 11/10
348/211.14

D650,773 S 12/2011 Kim et al.

D653,649 S 2/2012 Yang et al.

8,117,796 B2 * 2/2012 Kodi E04C 5/163
52/677

8,121,333 B2 2/2012 Woolf et al.

D659,200 S 5/2012 Wicken

D661,284 S 6/2012 Brandis et al.

D664,125 S 7/2012 Koch et al.

D669,135 S 10/2012 Garfinkle

D676,428 S 2/2013 Trewartha et al.

D687,420 S 8/2013 Trewartha et al.

D703,193 S 4/2014 Trewartha et al.

8,783,636 B2 7/2014 Okita

D710,831 S * 8/2014 Cooper D14/229

D711,718 S 8/2014 Francaviglia

8,814,118 B2 8/2014 Okita et al.

D719,140 S * 12/2014 Sanhui D14/225

D723,363 S 3/2015 Symons

D730,327 S * 5/2015 Mun D14/229

D735,171 S * 7/2015 Sunwoo D14/225

D736,189 S * 8/2015 Cooper D14/229

D737,252 S * 8/2015 Fereday D14/225

D737,804 S * 9/2015 Fereday D14/229

D745,495 S * 12/2015 Fereday D14/229

2003/0035561 A1 * 2/2003 Hsieh H04R 1/08
381/361

2003/0197316 A1 * 10/2003 Baumhauer, Jr. H04R 1/083
267/136

2004/0157581 A1 8/2004 Park et al.

2006/0082655 A1 4/2006 Vanderwilt et al.

2007/0195983 A1 8/2007 Klemme

2009/0016558 A1 * 1/2009 Woolf H04R 1/08
381/368

2010/0239113 A1 9/2010 Browne

2013/0019877 A1 1/2013 Sklar

2013/0061430 A1 * 3/2013 Okita H01F 7/0252
24/303

2014/0233764 A1 8/2014 Mathis

2014/0270311 A1 9/2014 Parker et al.

OTHER PUBLICATIONS

Sennheiser, MKE400, Apr. 2008.

U.S. Appl. No. 29/522,200 of Sun Kyung Sunwoo et al., filed Mar. 27, 2015. (Unpublished).

U.S. Appl. No. 29/480,875 of Peter Noel Cooper et al., filed Jan. 30, 2014. (Unpublished).

* cited by examiner

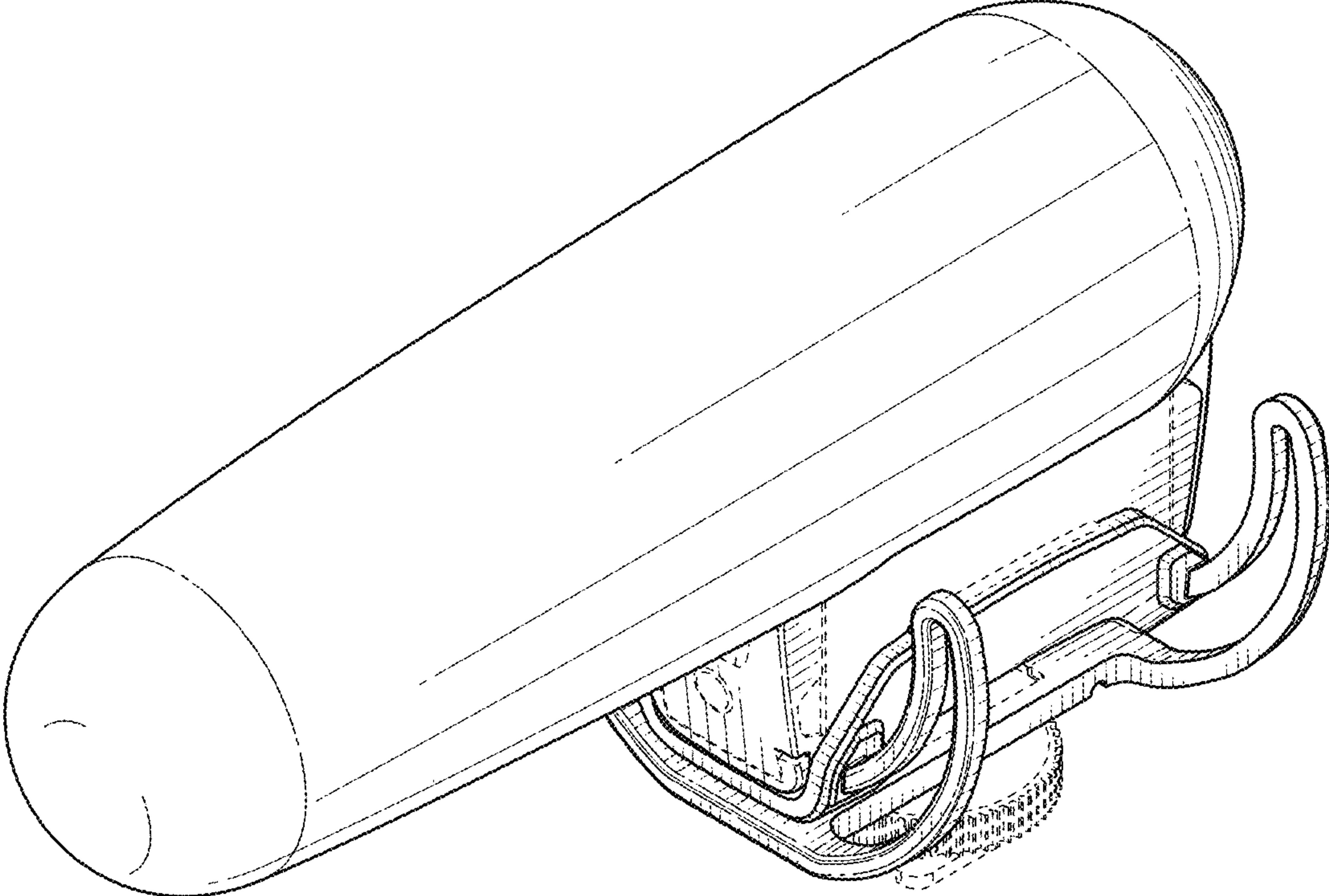


FIG. 1

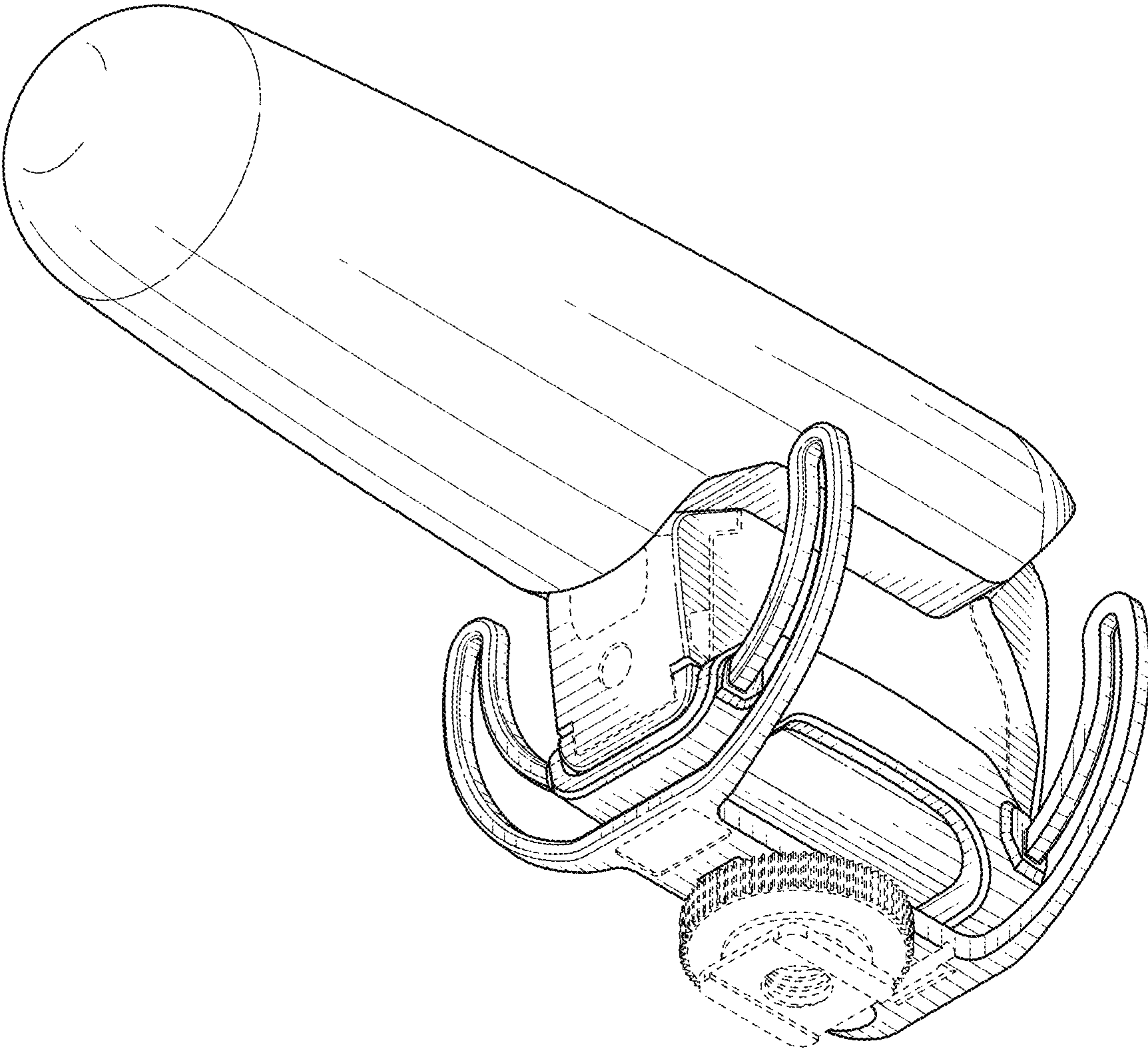


FIG. 2

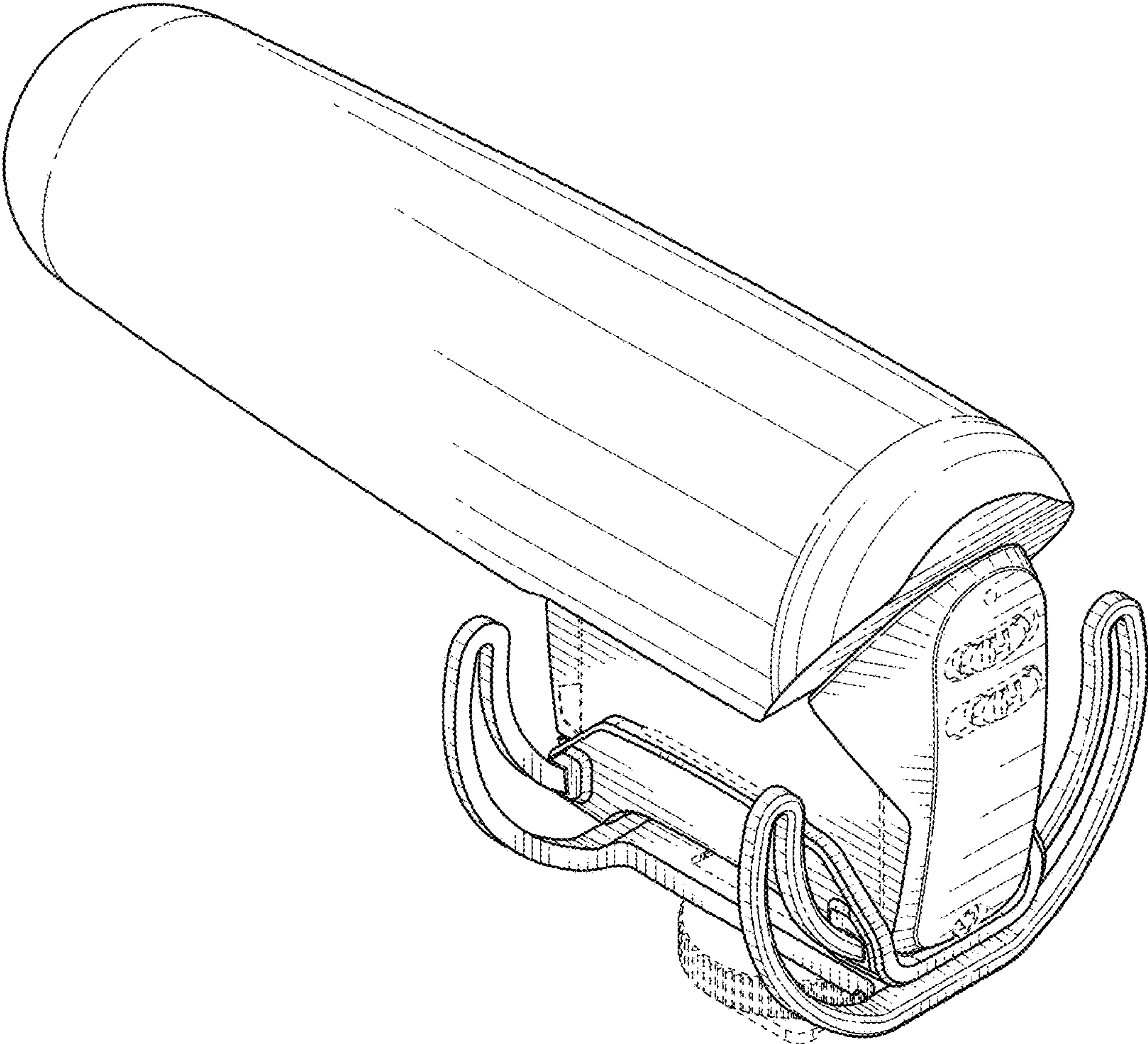


FIG. 3

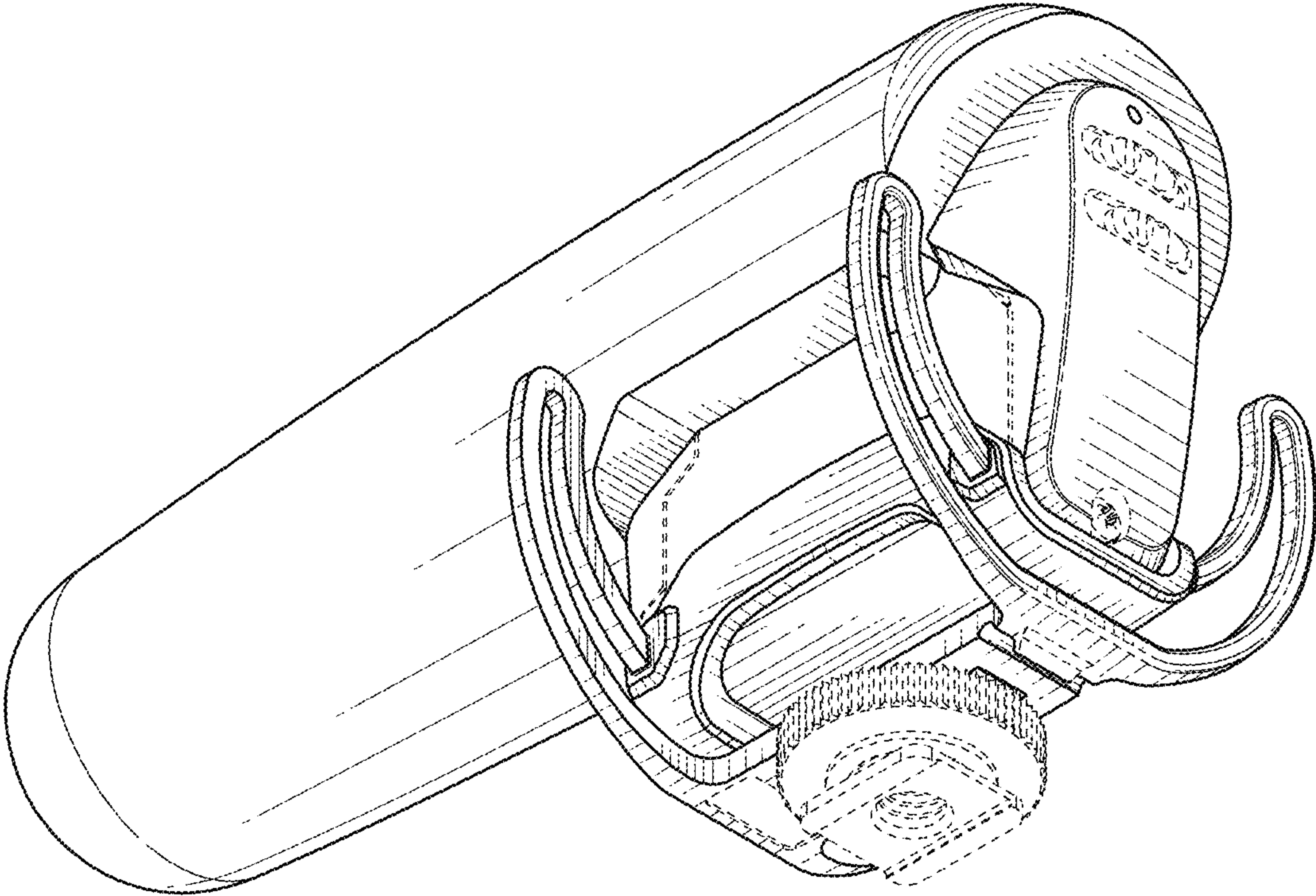


FIG. 4

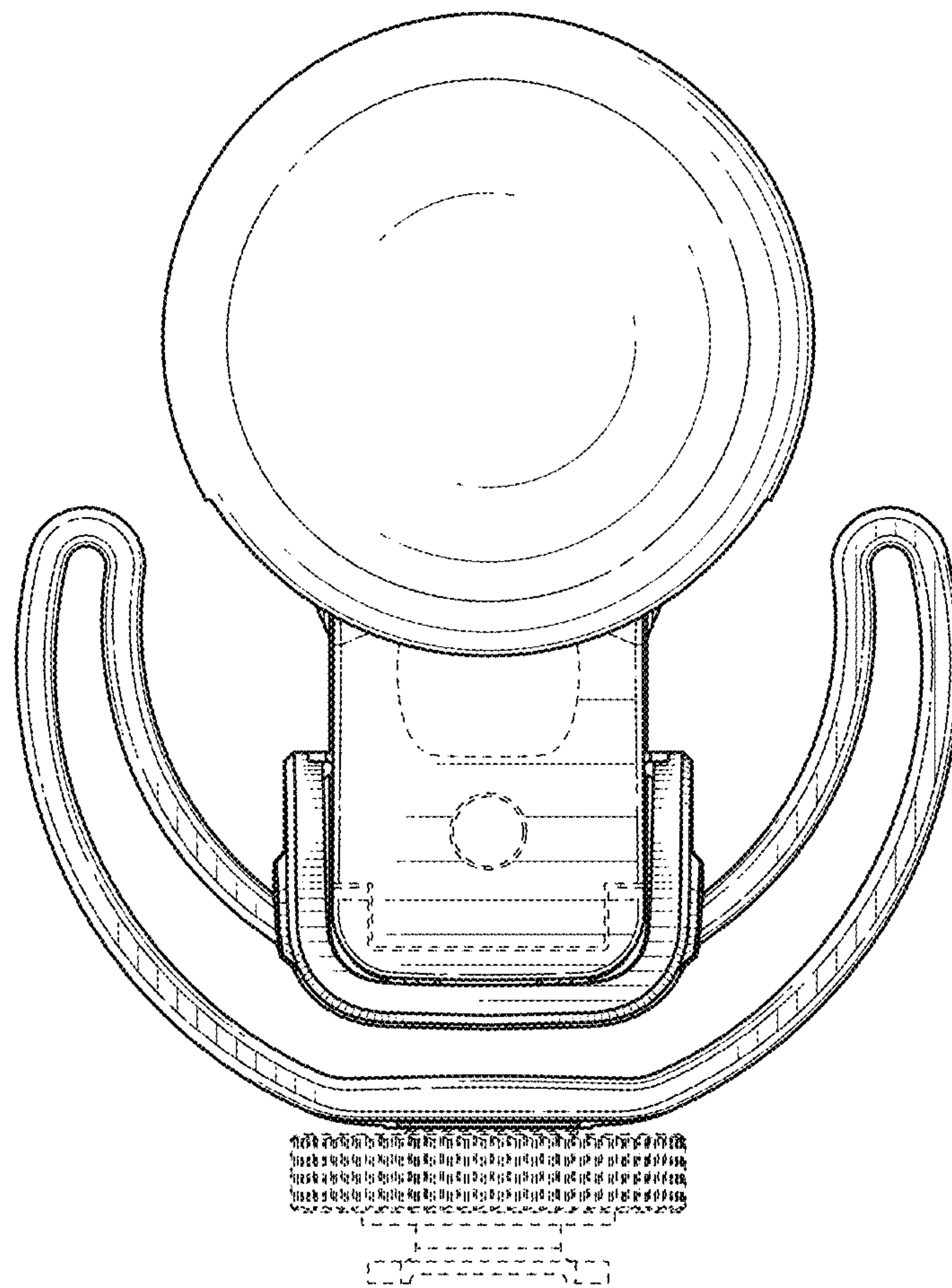


FIG. 5

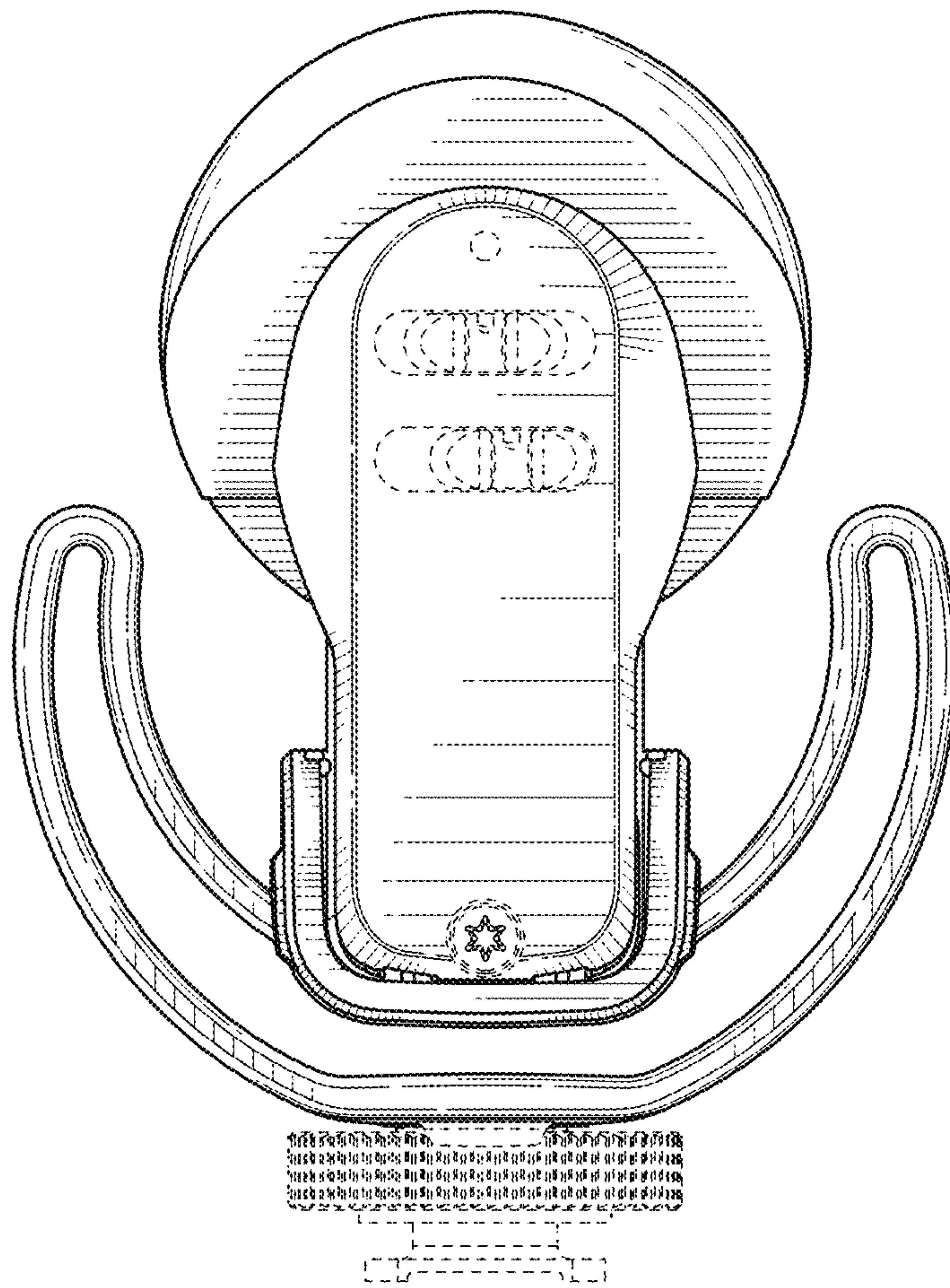


FIG. 6

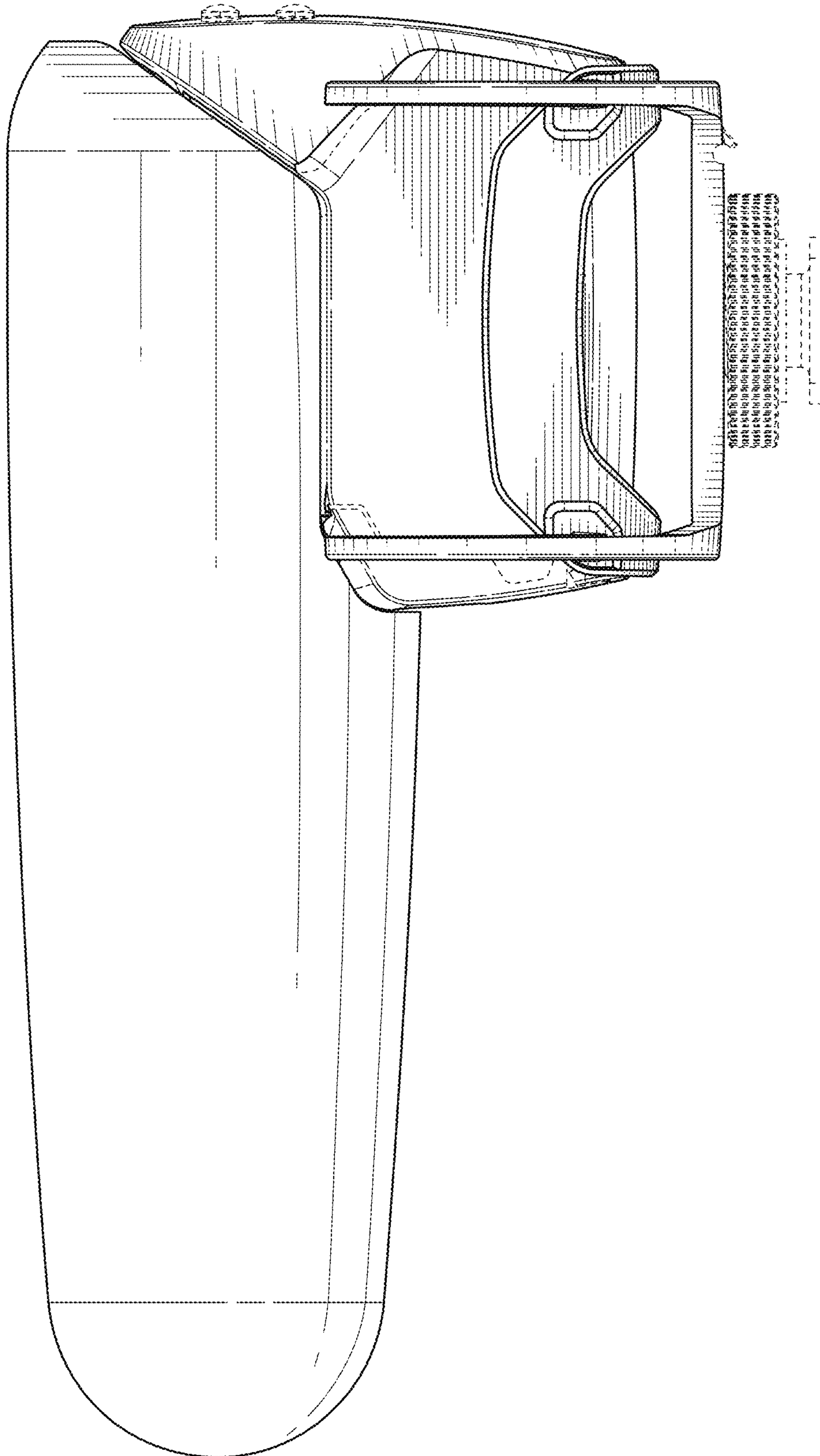


FIG. 7

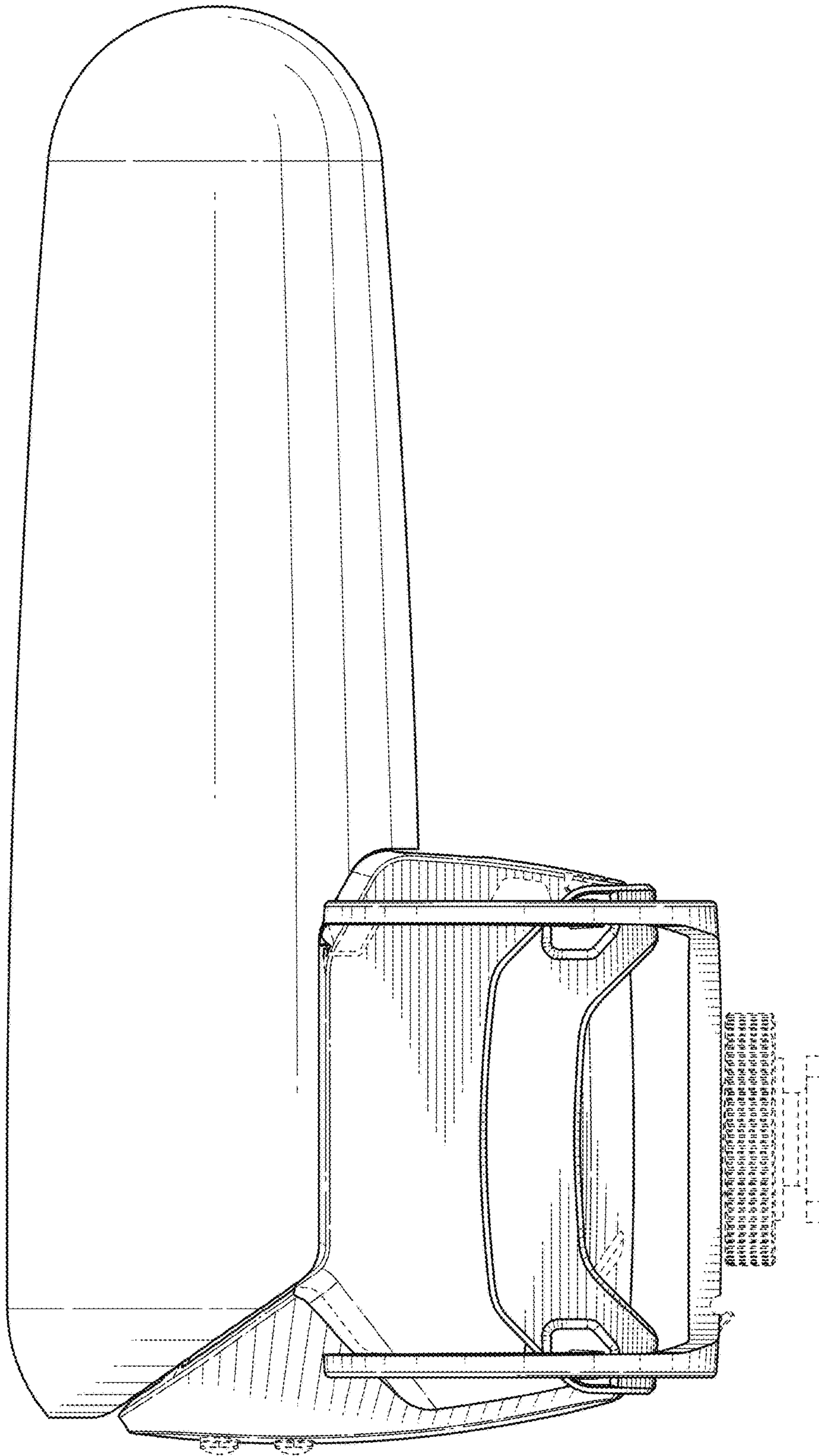


FIG. 8

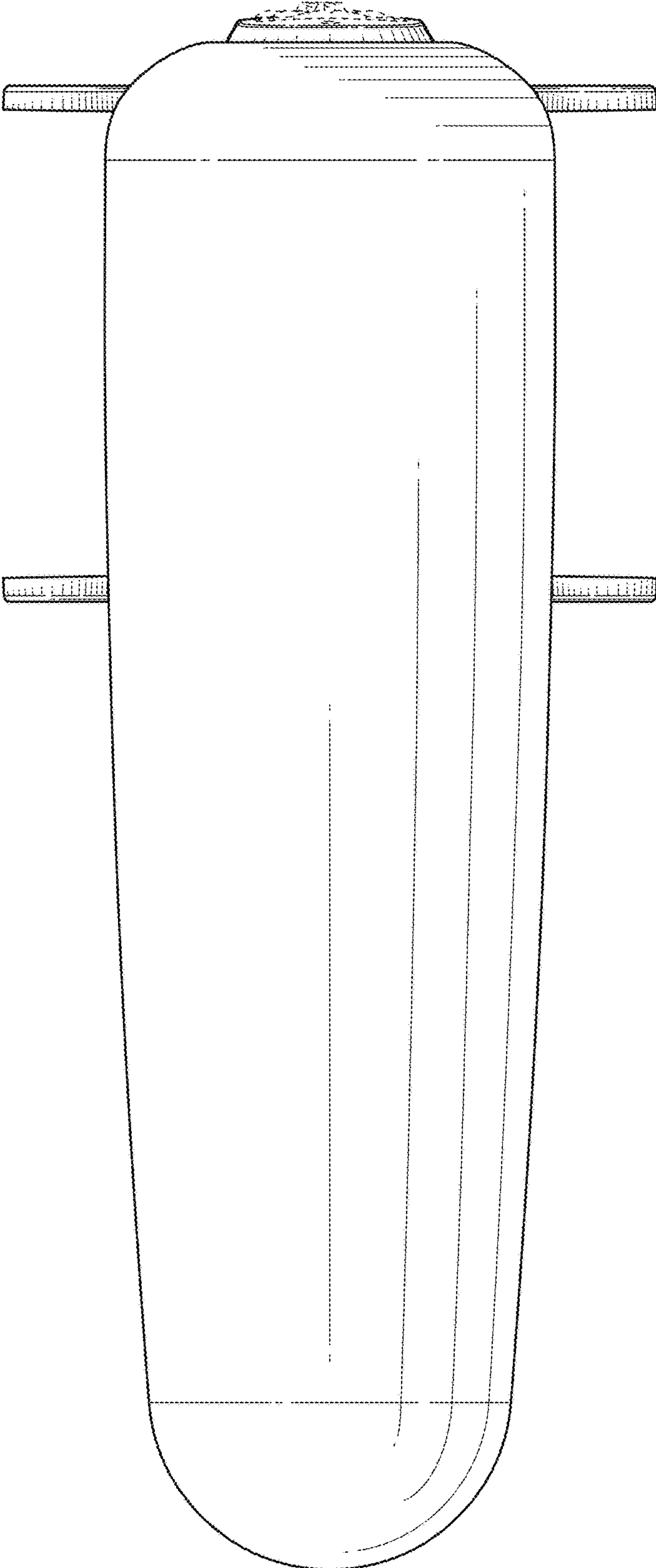


FIG. 9

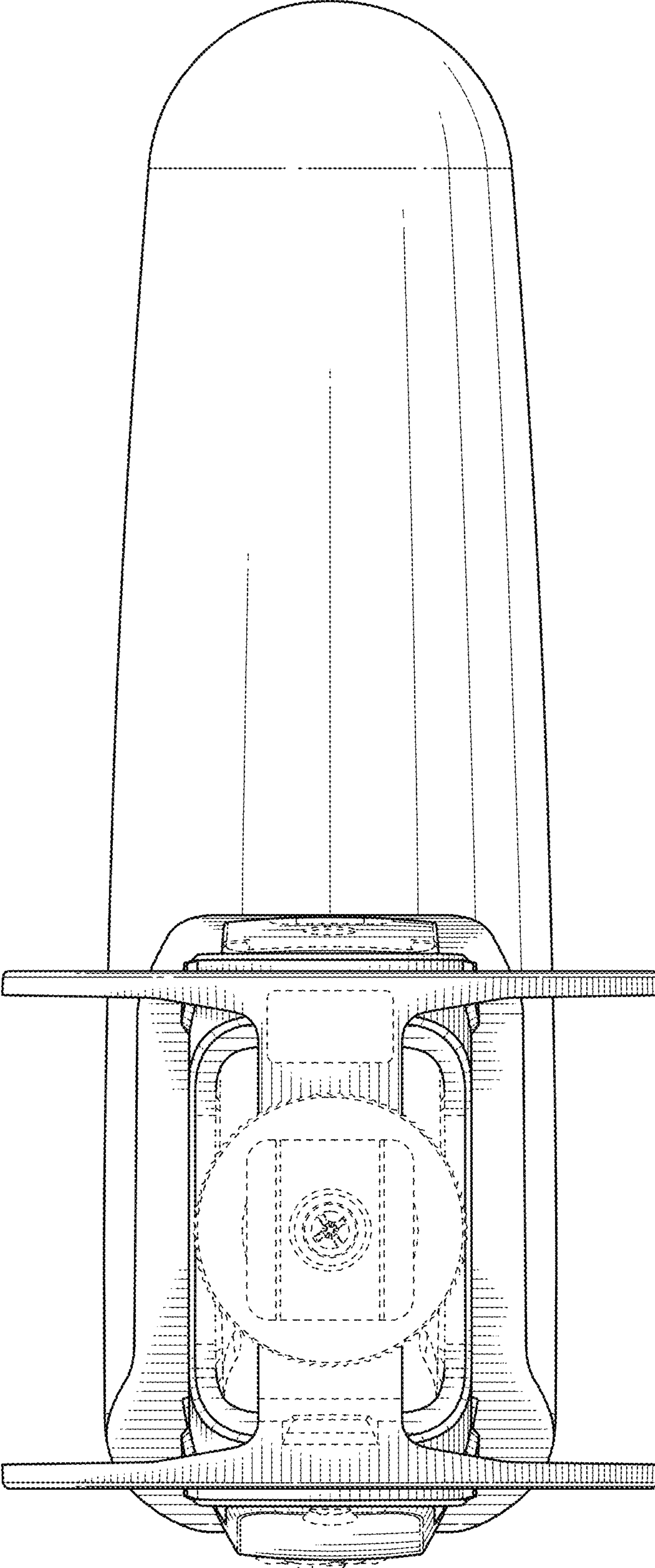


FIG. 10