



US00D772844S

(12) **United States Design Patent**  
**Ott et al.**

(10) **Patent No.:** **US D772,844 S**

(45) **Date of Patent:** **\*\* Nov. 29, 2016**

(54) **HEADPHONE**

(71) Applicant: **Harman International Industries, Incorporated**, Northridge, CA (US)

(72) Inventors: **Ryan Ott**, St. Louis, MO (US); **Eric Sia**, St. Louis, MO (US); **Effrosini Karayiannis**, St. Louis, MO (US)

(73) Assignee: **Harman International Industries, Incorporated**, Northridge, CA (US)

(\*\*) Term: **15 Years**

(21) Appl. No.: **29/535,253**

(22) Filed: **Aug. 5, 2015**

(51) **LOC (10) Cl.** ..... **14-01**

(52) **U.S. Cl.**  
USPC ..... **D14/205; D14/223**

(58) **Field of Classification Search**  
USPC ..... D14/205, 223; 181/129, 130, 135; 379/430, 431; 381/380, 381, 382, 370, 381/374, 164; 455/90.3, 569.1  
CPC ..... H04R 1/1016; H04R 1/10; H04R 25/00; H04R 1/1066; H04R 1/105  
See application file for complete search history.

(56) **References Cited**

**U.S. PATENT DOCUMENTS**

2,430,229 A \* 11/1947 Kelsey ..... H04R 1/1058  
181/130

2,501,107 A \* 3/1950 Volkmann ..... H04R 5/0335  
381/374

4,972,492 A \* 11/1990 Tanaka ..... H04R 1/1016  
181/130

5,363,444 A \* 11/1994 Norris ..... H04M 1/05  
379/430

5,410,608 A \* 4/1995 Lucey ..... H04R 1/083  
381/360

5,844,984 A \* 12/1998 Yamaguchi ..... H04R 1/1016  
379/430

5,909,498 A \* 6/1999 Smith ..... H04R 1/1016  
381/375

6,084,976 A \* 7/2000 Lin ..... H04R 1/1016  
181/129

D430,146 S \* 8/2000 Lin ..... D14/223

D431,553 S \* 10/2000 Suzuki ..... D14/223

6,574,345 B1 \* 6/2003 Huang ..... H04R 1/1016  
379/430

6,922,476 B2 \* 7/2005 Nassimi ..... H04R 1/1058  
381/380

D516,058 S \* 2/2006 Garcia ..... D14/205

D554,627 S \* 11/2007 Gondo ..... D14/223

7,349,550 B2 \* 3/2008 Oliveira ..... H04R 1/10  
381/374

D567,217 S \* 4/2008 Kamo ..... D14/205

D576,154 S \* 9/2008 Ledbetter ..... D14/223

D587,681 S \* 3/2009 Yanai ..... D14/205

D594,441 S \* 6/2009 Lee ..... D14/205

D598,894 S \* 8/2009 Masuda ..... D14/205

D599,778 S \* 9/2009 Ando ..... D14/205

D599,785 S \* 9/2009 Matsuda ..... D14/205

D605,170 S \* 12/2009 Keinanen ..... D14/205

D621,389 S \* 8/2010 Nagayama ..... D14/223

D627,764 S \* 11/2010 Tsai ..... D14/223

D628,564 S \* 12/2010 Chong ..... D14/223

D643,416 S \* 8/2011 Chong ..... D14/223

D660,289 S \* 5/2012 Lee ..... D14/223

D660,290 S \* 5/2012 Weedon ..... D14/223

D666,581 S \* 9/2012 Perez ..... D14/223

8,265,322 B2 \* 9/2012 Uchida ..... H04R 1/1075  
381/370

(Continued)

*Primary Examiner* — Paula Greene  
(74) *Attorney, Agent, or Firm* — Plumsea Law Group, LLC

(57) **CLAIM**

The ornamental design for a headphone, as shown and described.

**DESCRIPTION**

FIG. 1 is a perspective view of a headphone showing our new design;

FIG. 2 is a side elevational view of one side thereof;

FIG. 3 is a side elevational view of the opposite side thereof;

FIG. 4 is a rear elevational view thereof;

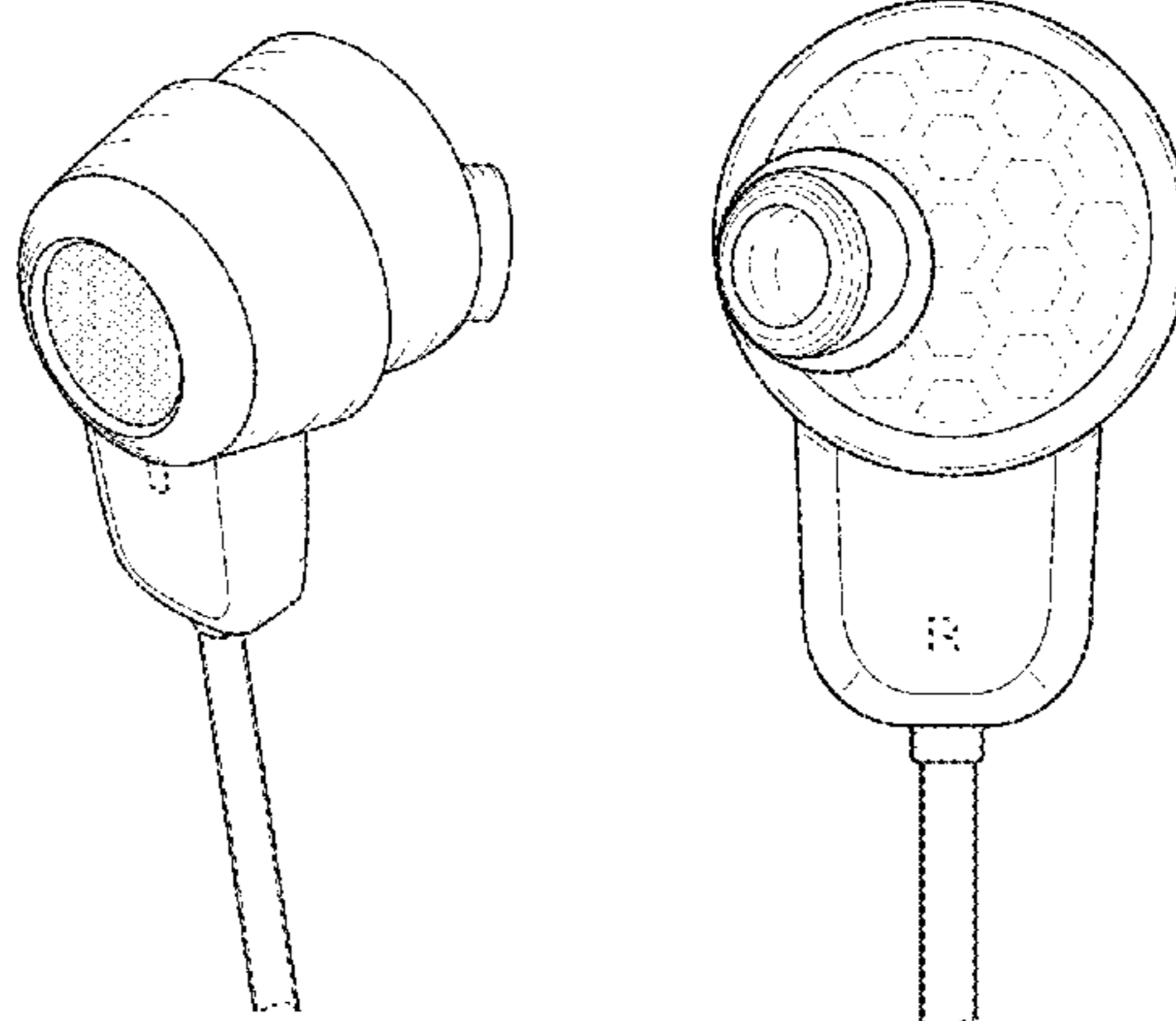
FIG. 5 is a front elevational view thereof;

FIG. 6 is a top plan view thereof; and,

FIG. 7 is a bottom plan view thereof.

The broken line showings form no part of the claimed design.

**1 Claim, 4 Drawing Sheets**



(56)

**References Cited**

U.S. PATENT DOCUMENTS

8,265,323	B2 *	9/2012	Stiehl	.....	B29C 45/0025				
					381/371				
8,391,536	B2 *	3/2013	Hashimoto	.....	H04R 1/1016				
					381/370				
D691,278	S *	10/2013	Aunio	.....	D14/223				
D698,750	S *	2/2014	Yoon	.....	D14/205				
D718,286	S *	11/2014	Yang	.....	D14/223				
D718,745	S *	12/2014	Thompson	.....	D14/223				
D719,548	S *	12/2014	Thompson	.....	D14/223				
D746,792	S *	1/2016	Kim	.....	D14/205				
D751,530	S *	3/2016	Kolton	.....	D14/205				
D760,189	S *	6/2016	Loh Jun Kern	.....	D14/205				
2007/0098201	A1 *	5/2007	Chen	.....	H04R 1/1016				
					381/380				
2011/0176700	A1 *	7/2011	Hashimoto	.....	H04R 1/1016				
					381/380				

\* cited by examiner

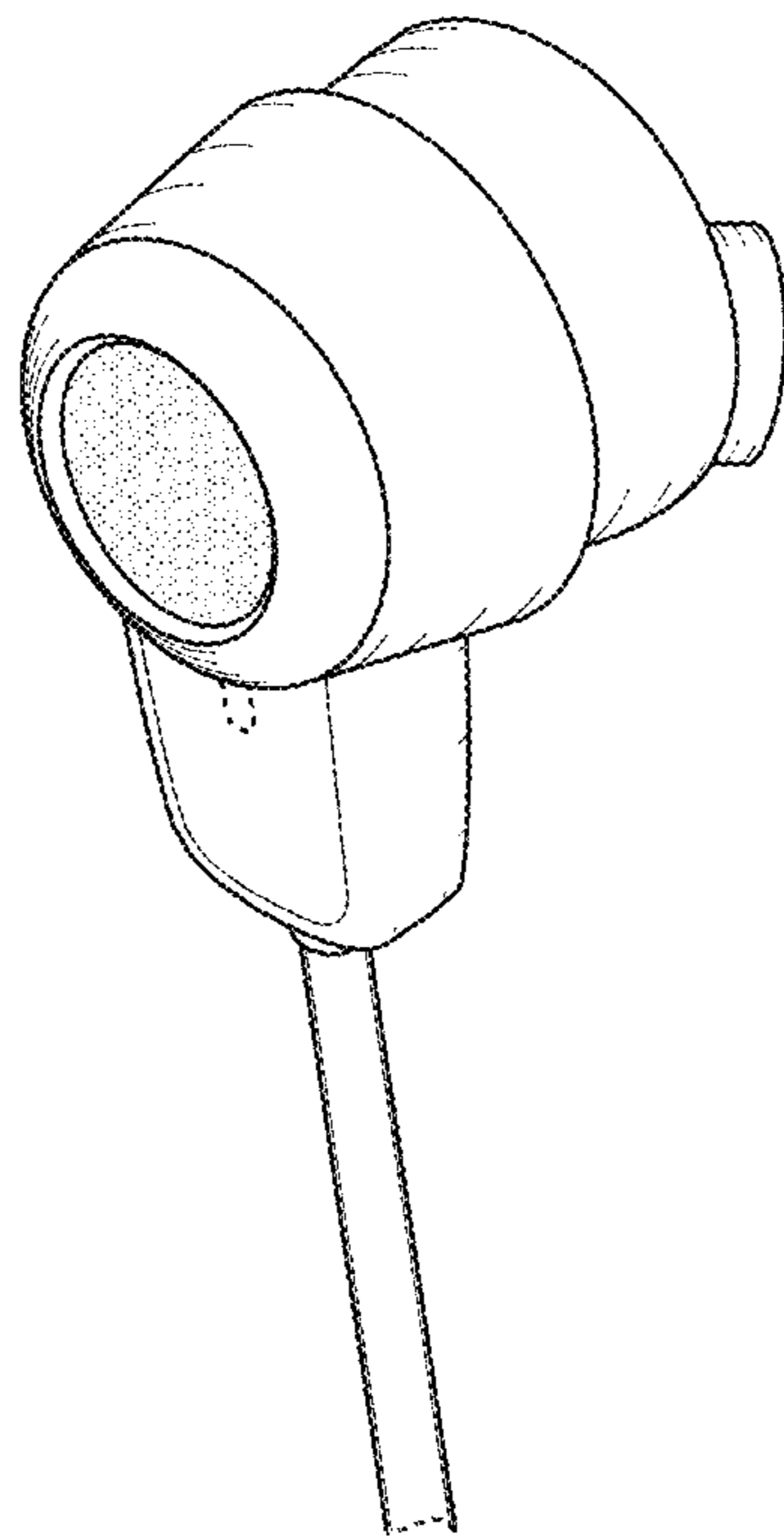
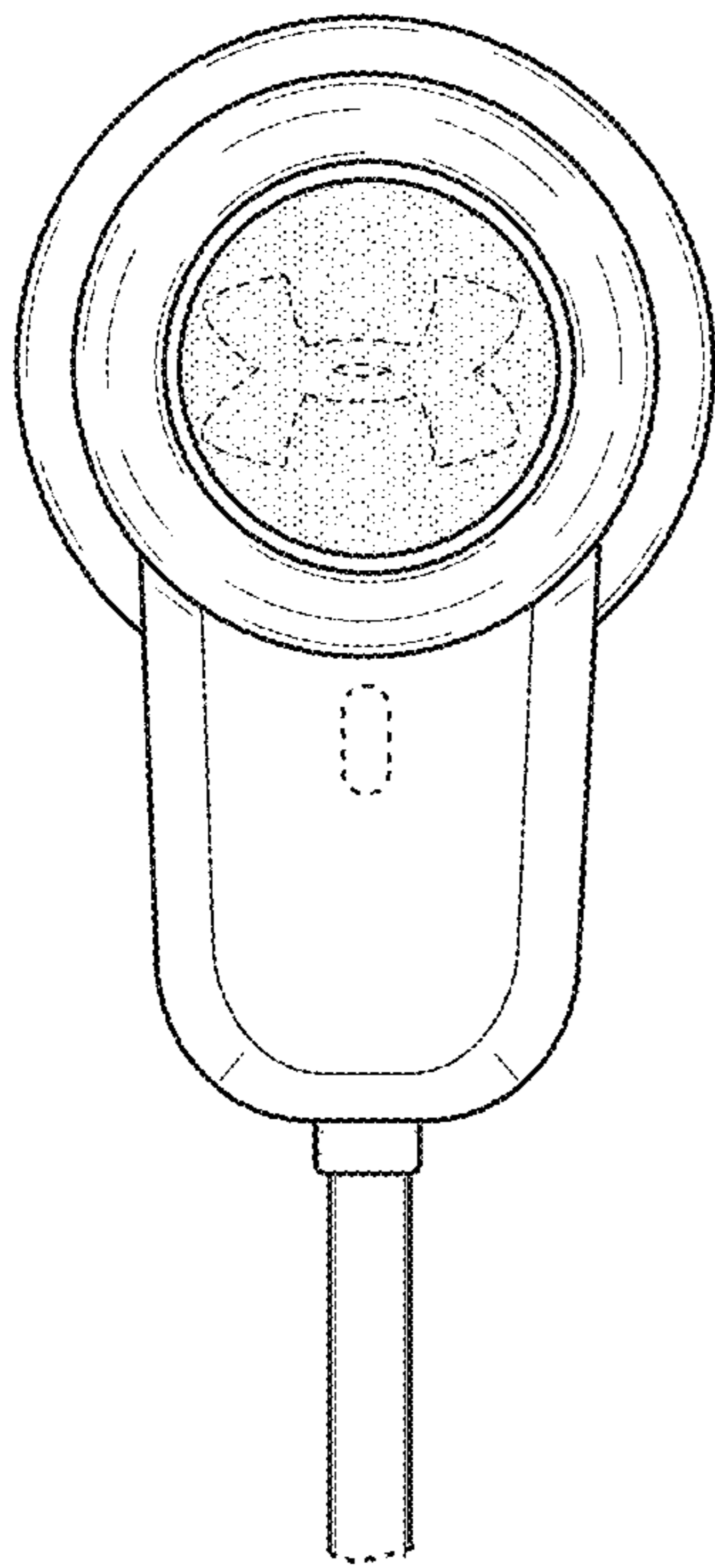
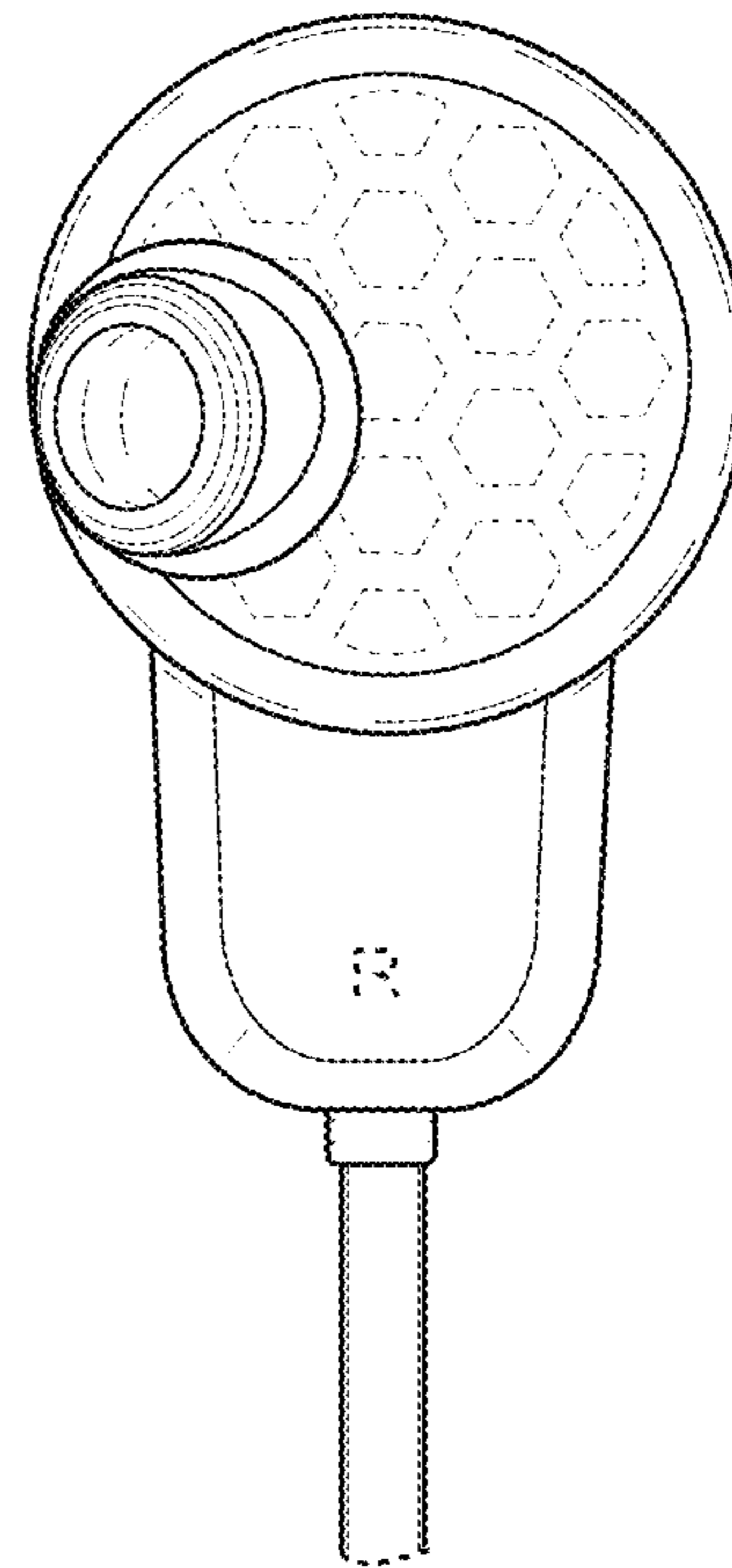


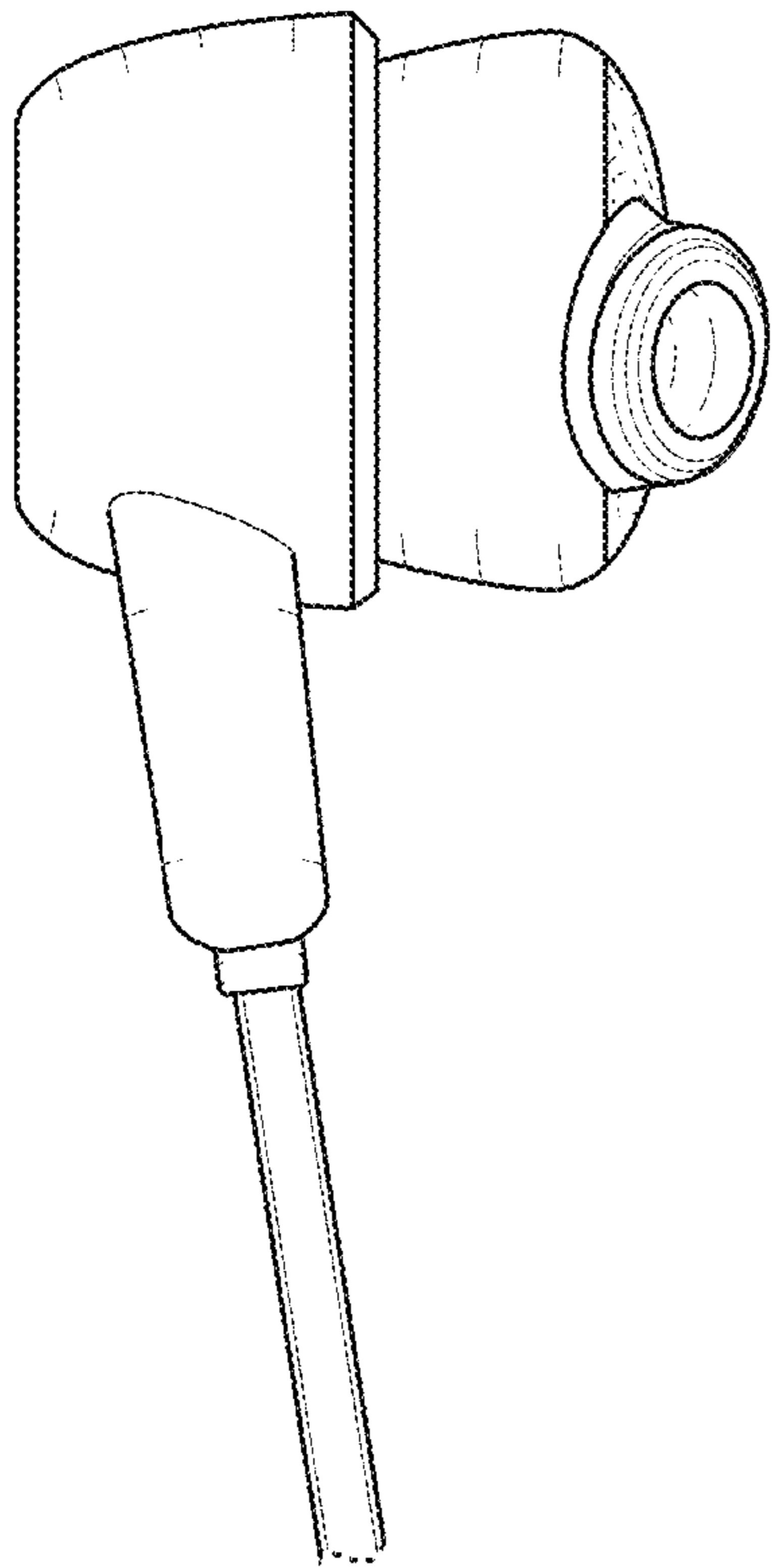
FIG. 1



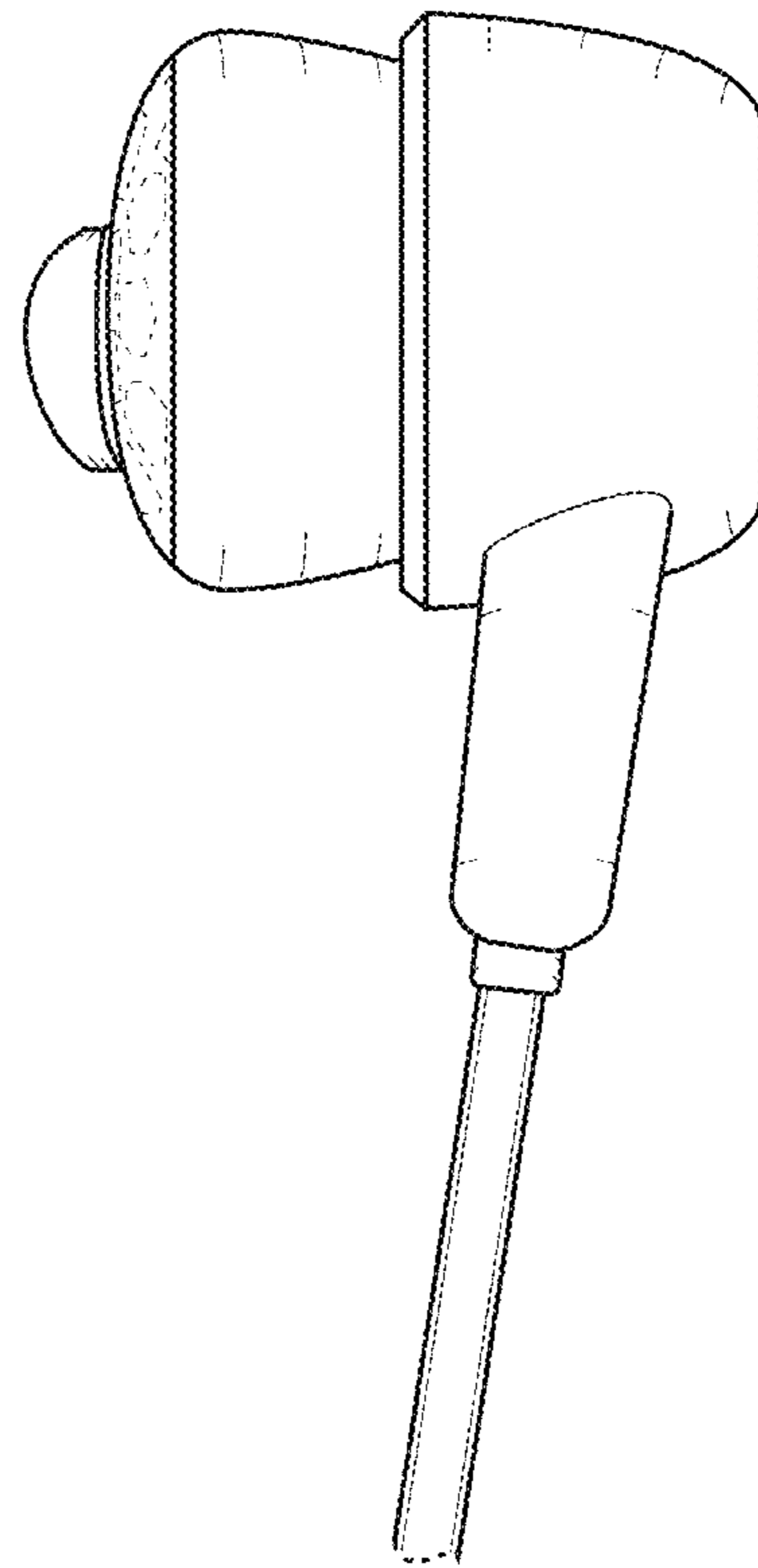
**FIG. 2**



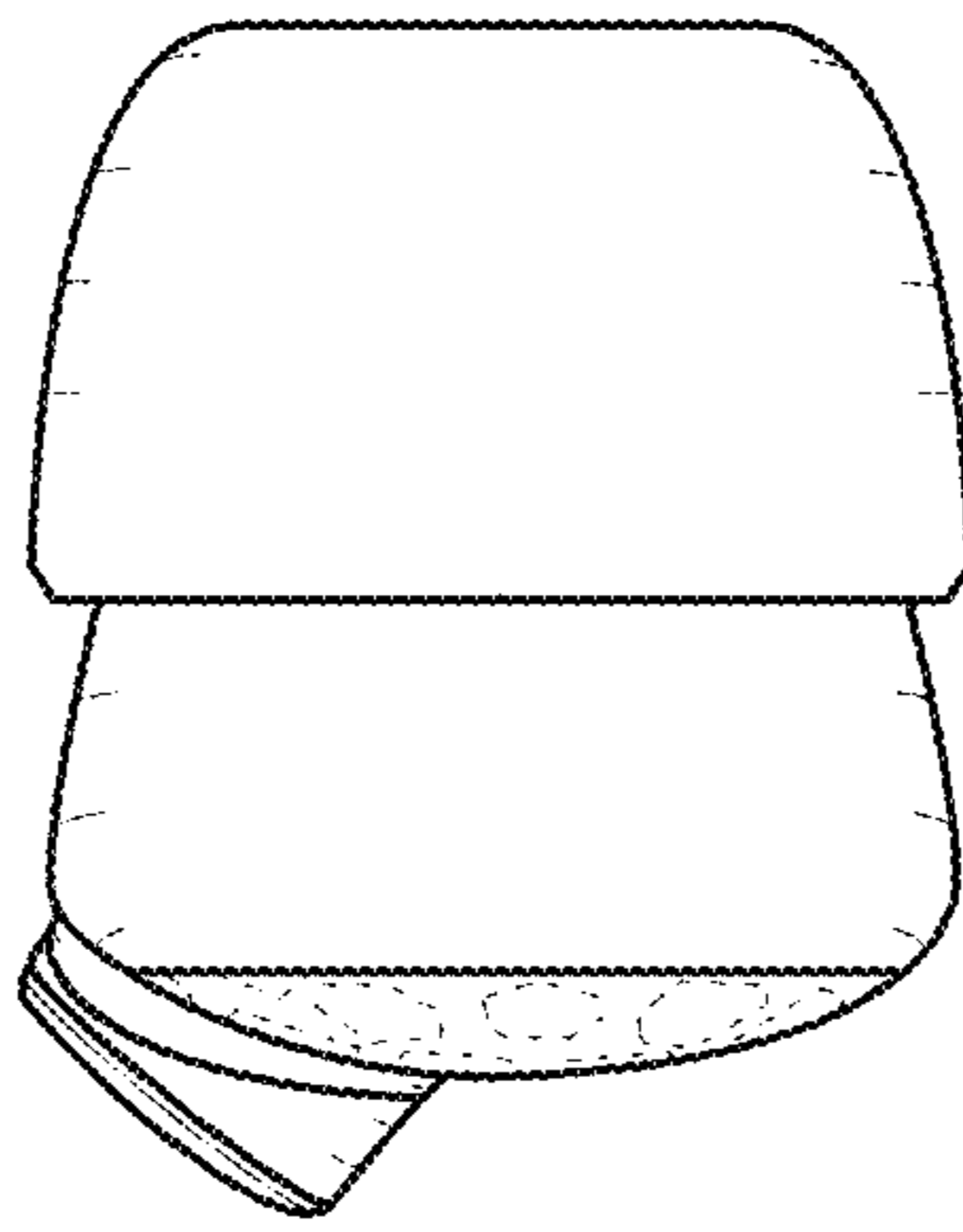
**FIG. 3**



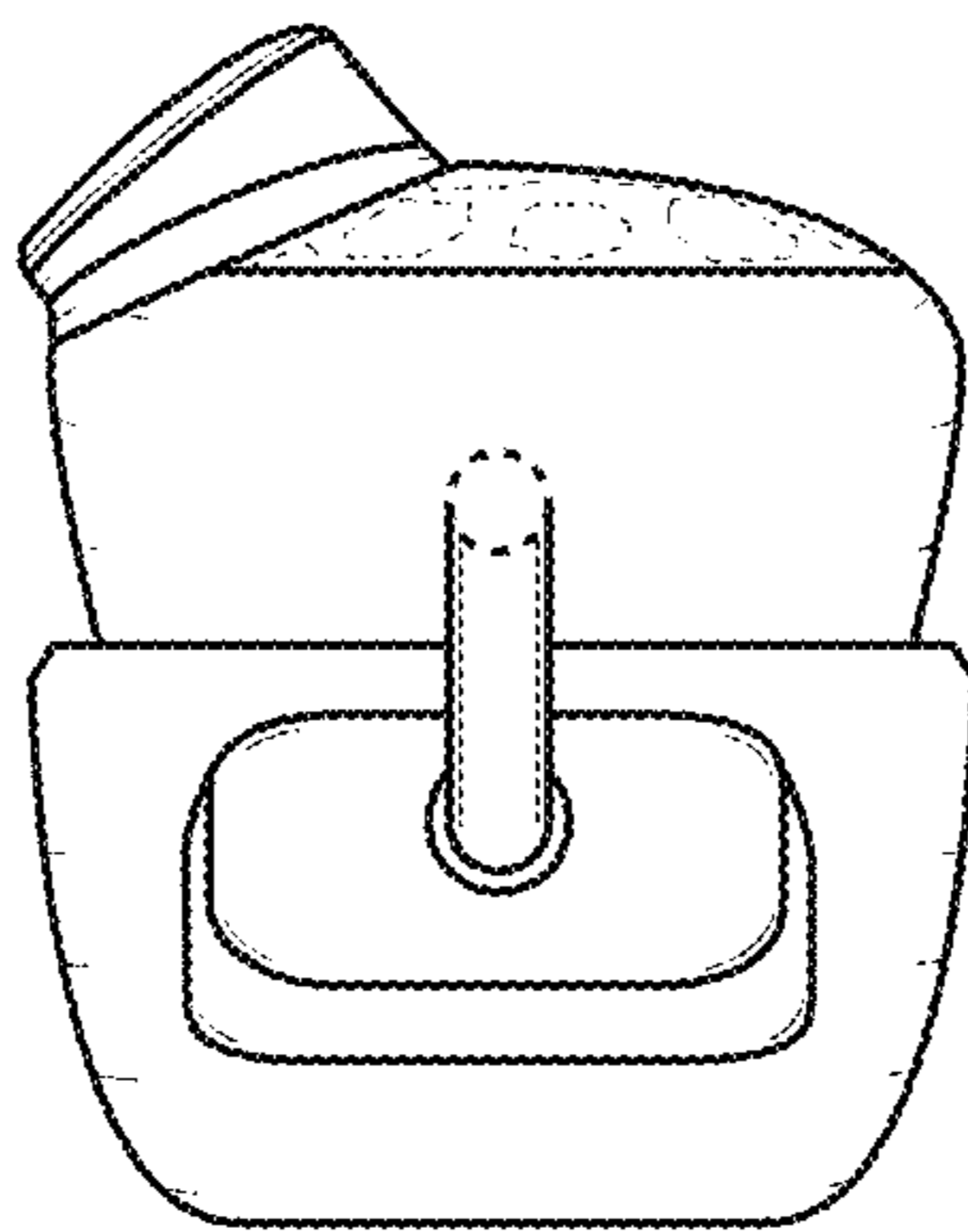
**FIG. 4**



**FIG. 5**



**FIG. 6**



**FIG. 7**