



US00D772841S

(12) **United States Design Patent**
Levine

(10) **Patent No.:** **US D772,841 S**
(45) **Date of Patent:** **** Nov. 29, 2016**

- (54) **HEADPHONE DEVICE**
- (71) Applicant: **New Audio LLC**, New York, NY (US)
- (72) Inventor: **Jonathan E. Levine**, New York, NY (US)
- (73) Assignee: **New Audio LLC**, New York, NY (US)
- (**) Term: **15 Years**
- (21) Appl. No.: **29/532,834**
- (22) Filed: **Jul. 10, 2015**

- 2,858,544 A * 11/1958 Roth A61F 11/14
128/866
- 3,073,410 A * 1/1963 Gongoll A61F 11/14
128/867
- 3,440,663 A * 4/1969 Beguin A61F 11/14
2/209
- 3,454,964 A * 7/1969 Brinkhoff A61F 11/14
2/209

(Continued)

OTHER PUBLICATIONS

U.S. Appl. No. 14/821,619, filed Aug. 7, 2015, Levine, Jonathan E., et al.

(Continued)

Related U.S. Application Data

- (63) Continuation of application No. 29/481,794, filed on Feb. 10, 2014, now Pat. No. Des. 736,174.
- (51) **LOC (10) Cl.** **14-01**
- (52) **U.S. Cl.**
USPC **D14/205**
- (58) **Field of Classification Search**
USPC D14/205, 249, 188, 192; D29/112;
2/209, 423; 181/129, 130, 135;
379/430, 431; 381/74, 370, 374, 380,
381/381, 379, 186, 371, 372, 376;
455/90.3, 575.1
CPC H04R 5/033; H04R 5/0335; H04R 25/00;
H04R 1/02; H04R 1/1066; H04R 1/1016
See application file for complete search history.

Primary Examiner — Paula Greene

(74) *Attorney, Agent, or Firm* — Perkins Coie LLP

(57) **CLAIM**

The ornamental design for a headphone device, as shown and described.

DESCRIPTION

FIG. 1 is a perspective view of an embodiment of a headphone device showing my new design, as viewed from the top and front.

FIG. 2 is a front profile view of the headphone device shown in FIG. 1.

FIG. 3 is a back profile view of the headphone device shown in FIG. 1.

FIG. 4 is a first side profile view of the headphone device shown in FIG. 1.

FIG. 5 is a second side profile view of the headphone device shown in FIG. 1.

FIG. 6 is a top plan view of the headphone device shown in FIG. 1; and,

FIG. 7 is a bottom plan view of the headphone device shown in FIG. 1.

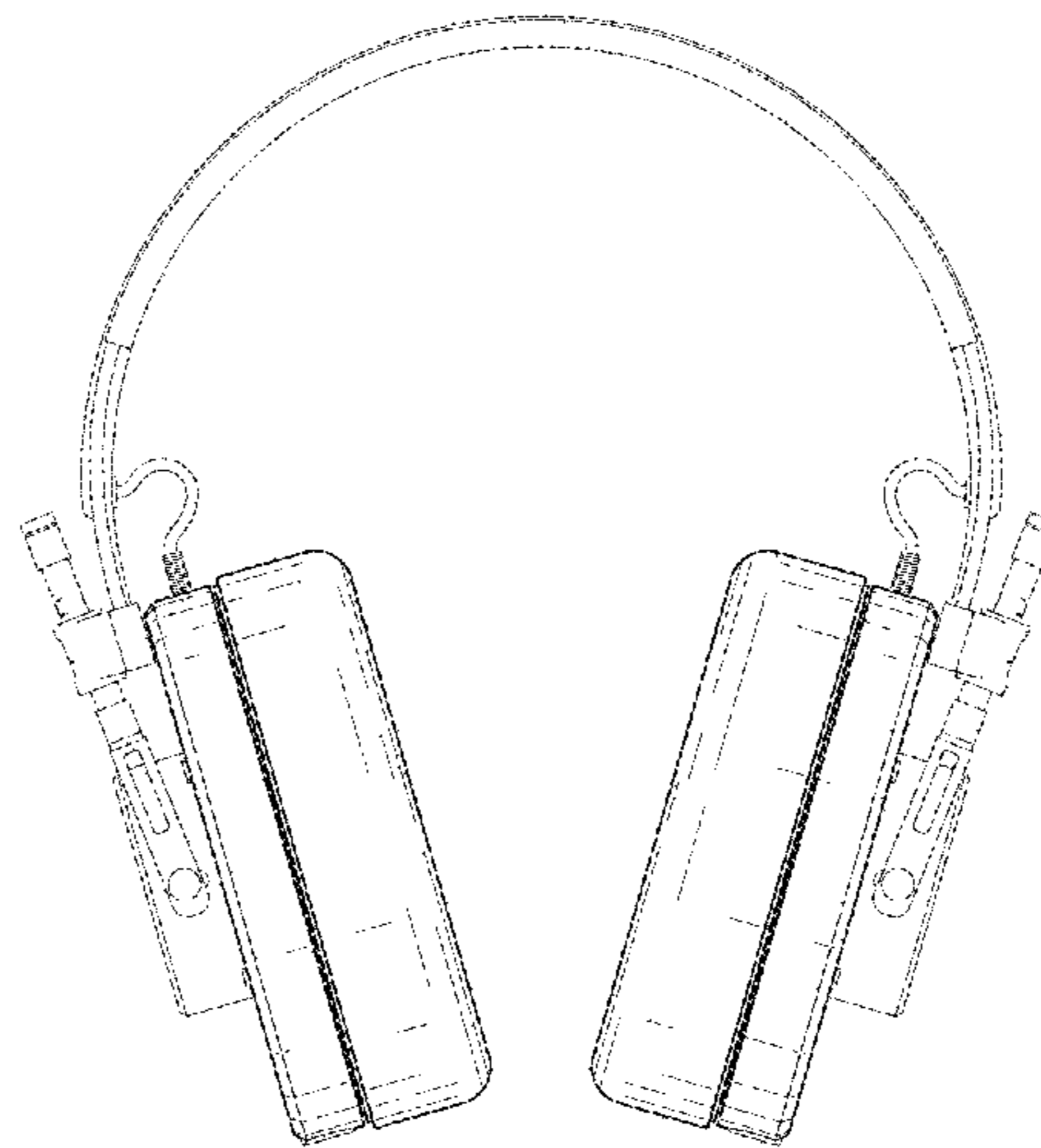
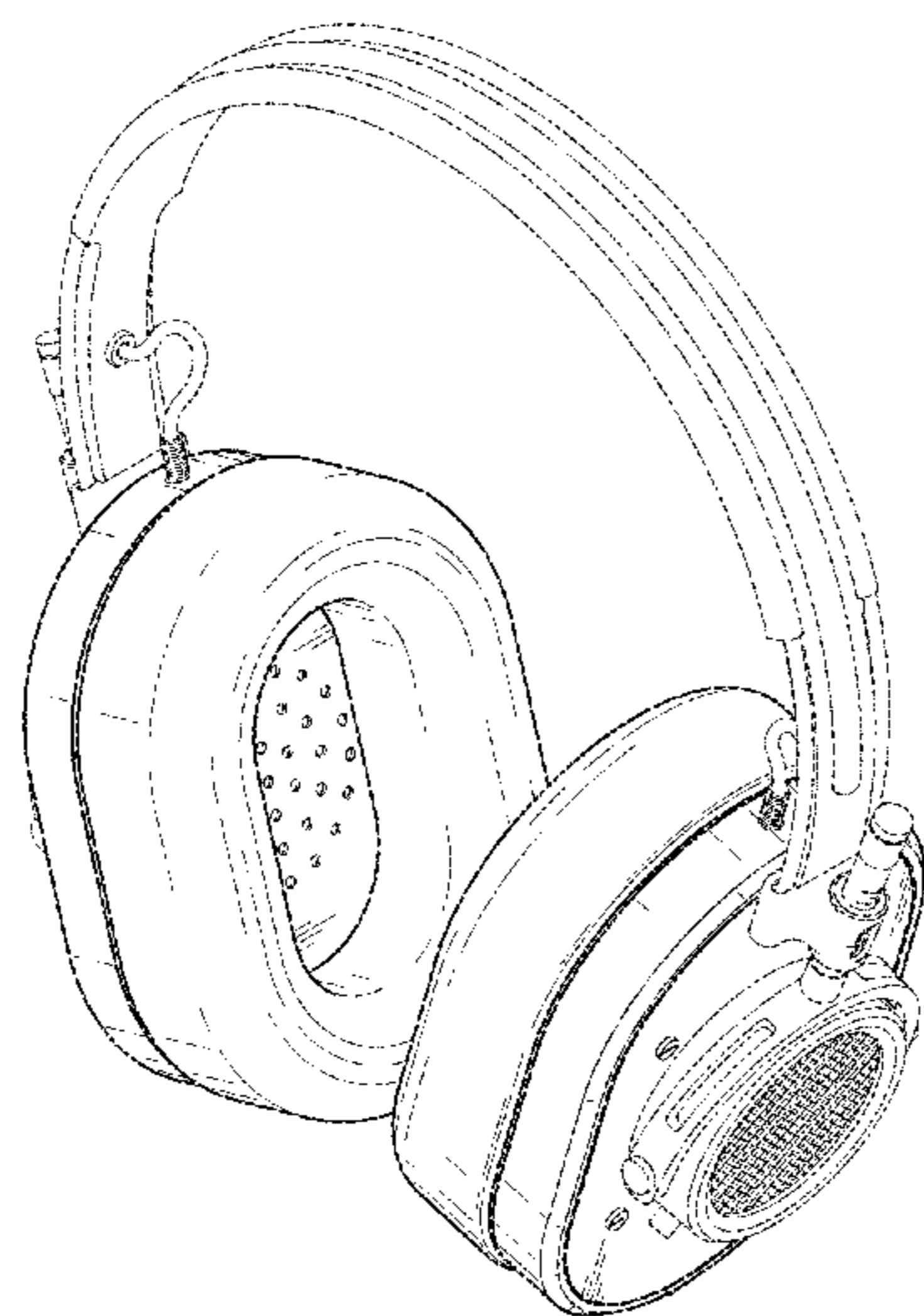
The details shown in broken lines illustrate features that form no part of the claimed design.

1 Claim, 5 Drawing Sheets

(56) **References Cited**

U.S. PATENT DOCUMENTS

- 1,483,315 A * 2/1924 Saal H04R 1/1066
381/374
- 1,648,832 A * 11/1927 Urban H04R 1/1008
181/129
- 1,651,623 A * 12/1927 Oberfell H04R 1/1066
381/374
- 2,782,423 A * 2/1957 Simon A61F 11/14
2/209



(56)

References Cited

U.S. PATENT DOCUMENTS

3,488,457 A * 1/1970 Lahti H04R 1/1008
381/371
3,505,684 A * 4/1970 Hutchinson A61F 11/14
2/209
3,562,816 A * 2/1971 Hutchinson A61F 11/14
2/209
3,579,640 A * 5/1971 Beguin A61F 11/14
2/209
3,593,341 A * 7/1971 Aileo A42B 3/166
2/209
3,815,155 A * 6/1974 Davison A42B 3/166
2/209
3,922,725 A 12/1975 Csiki
3,984,885 A * 10/1976 Yoshimura H04R 5/033
381/19
D244,301 S * 5/1977 Besasie D14/223
4,437,538 A * 3/1984 Ohlsson A61F 11/14
128/867
4,439,645 A * 3/1984 Scalzo H04M 1/19
381/372
4,471,496 A * 9/1984 Gardner, Jr. A61F 11/14
2/209
4,958,697 A * 9/1990 Moody A42B 3/166
181/129
D313,092 S * 12/1990 Nilsson D14/205
4,987,592 A * 1/1991 Flagg H04R 1/08
379/430
D318,053 S * 7/1991 Ludeke D14/205
5,068,923 A * 12/1991 Sjoqvist A61F 11/14
181/129
D328,461 S * 8/1992 Daido D14/205
5,144,678 A * 9/1992 Lenz H04R 1/1041
381/371
5,384,857 A * 1/1995 Nordin A61F 11/14
381/374
5,406,037 A * 4/1995 Nageno H04R 5/0335
181/129
5,420,381 A * 5/1995 Gardner, Jr. A61F 11/14
181/129
D410,466 S 6/1999 Mouri et al.
5,970,160 A * 10/1999 Nilsson H04R 1/1083
181/129
5,996,123 A * 12/1999 Leight A61F 11/14
128/867
6,449,806 B1 * 9/2002 Engelhard H04M 1/05
2/209
D476,639 S * 7/2003 Bergeron D14/205
D512,708 S * 12/2005 Harris, Jr. D14/205
7,245,735 B2 * 7/2007 Han H04R 1/1008
379/430
D563,382 S * 3/2008 Wikel D14/205
7,388,960 B2 * 6/2008 Kuo H04R 1/1041
379/430
D573,581 S * 7/2008 Gondo D14/205

D576,604 S * 9/2008 Suzuki D14/205
D581,394 S * 11/2008 Lee D14/205
D588,100 S * 3/2009 Densho D14/205
D594,847 S * 6/2009 Suzuki D14/205
D616,865 S * 6/2010 Marchand D14/205
D620,474 S * 7/2010 Komiyama D14/205
D639,776 S * 6/2011 Arimoto D14/205
D657,344 S * 4/2012 Brunner D14/205
D706,241 S * 6/2014 Szymanski D14/205
8,755,555 B2 * 6/2014 Dougherty H04R 1/1066
381/370
D721,052 S * 1/2015 Carr D14/205
D727,280 S 4/2015 Levine et al.
D727,281 S 4/2015 Levine et al.
D736,174 S 8/2015 Levine et al.
D736,175 S 8/2015 Levine et al.
D737,799 S * 9/2015 Carr D14/205
D741,842 S 10/2015 Levine et al.
D746,790 S * 1/2016 Strasberg D14/205

OTHER PUBLICATIONS

U.S. Appl. No. 14/821,643, filed Aug. 7, 2015, Levine, Jonathan E., et al.
U.S. Appl. No. 129/520,926, filed Mar. 18, 2015, Levine, Jonathan E et al.
U.S. Appl. No. 29/520,928, filed Mar. 18, 2015, Levine, Jonathan E., et al.
U.S. Appl. No. 29/532,363, filed Jul. 6, 2015, Levine, Jonathan E., et al.
U.S. Appl. No. 29/532,871, filed Jul. 10, 2015, Levine, Jonathan E., et al.
U.S. Appl. No. 29/535,635, filed Aug. 7, 2015, Levine, Jonathan E., et al.
U.S. Appl. No. 29/542,067, filed Oct. 9, 2015, Levine, Jonathan E., et al.
Non-Final Office Action for Design U.S. Appl. No. 29/481,794, mailed Dec. 9, 2014, U.S. Patent and Trademark Office, 8 pages.
Non-Final Office Action for Design U.S. Appl. No. 29/481,796, mailed Nov. 25, 2014, U.S. Patent and Trademark Office, 8 pages.
Notice of Allowance for Design U.S. Appl. No. 29/481,787, mailed Dec. 10, 2014, U.S. Patent and Trademark Office, 11 pages.
Notice of Allowance for Design U.S. Appl. No. 29/481,791, mailed Dec. 3, 2014, U.S. Patent and Trademark Office, 8 pages.
Notice of Allowance for Design U.S. Appl. No. 29/481,794, mailed Apr. 17, 2015, U.S. Patent and Trademark Office, 6 pages.
Notice of Allowance for Design U.S. Appl. No. 29/481,796, mailed Apr. 10, 2015, U.S. Patent and Trademark Office, 5 pages.
Notice of Allowance for Design U.S. Appl. No. 29/495,943, mailed Jun. 24, 2015, U.S. Patent and Trademark Office, 18 pages.

* cited by examiner

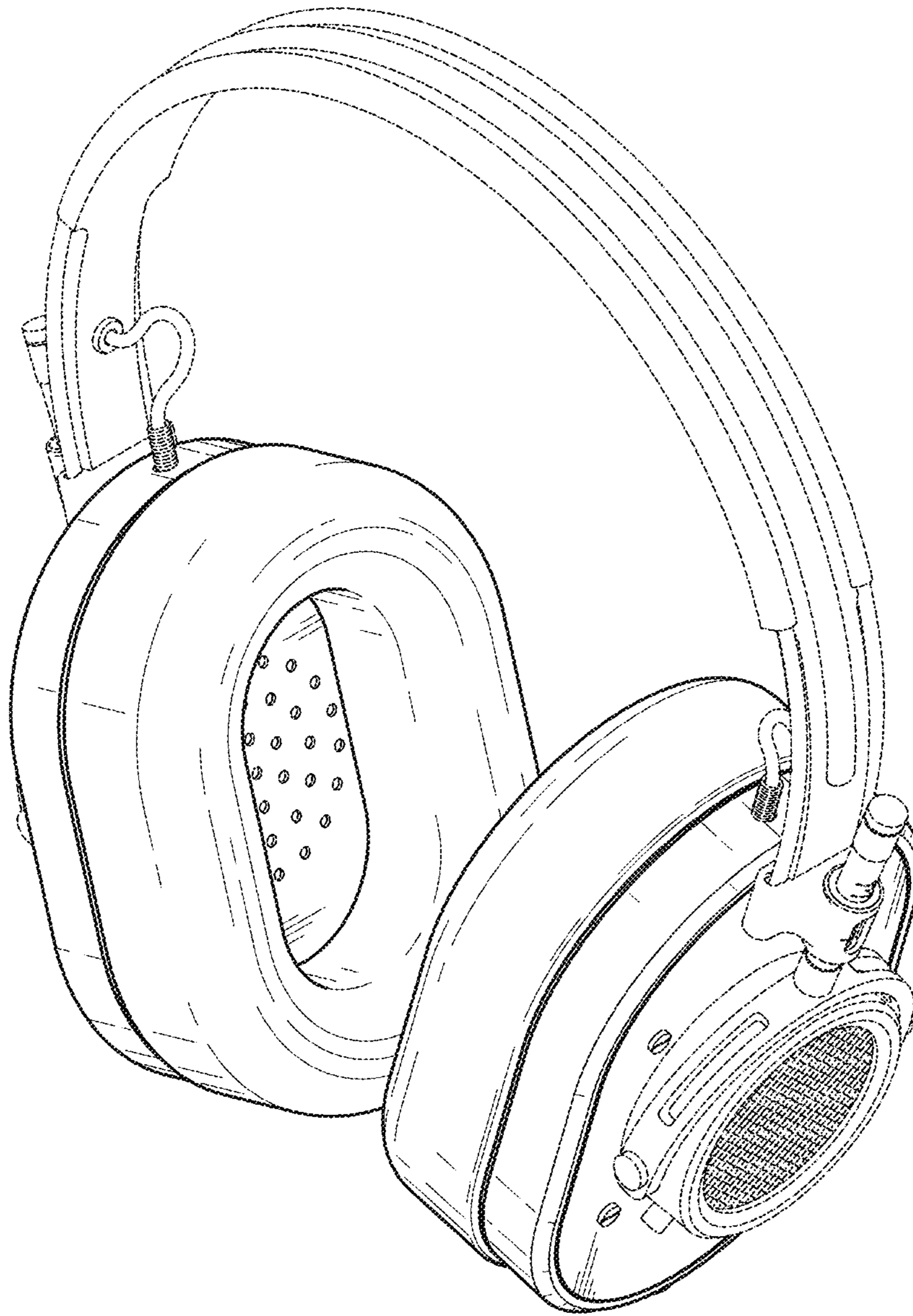


Fig. 1



Fig. 2

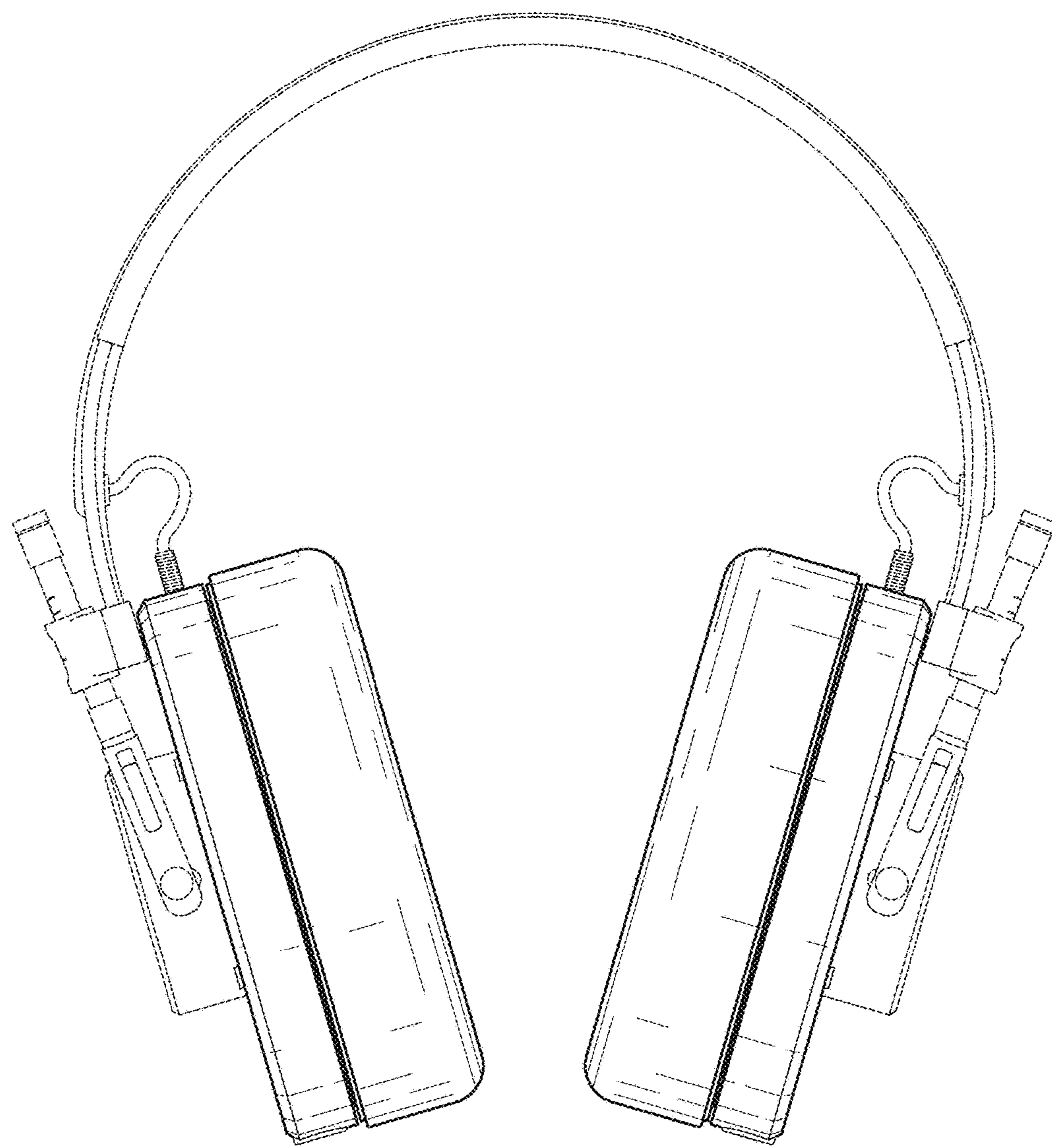


Fig. 3

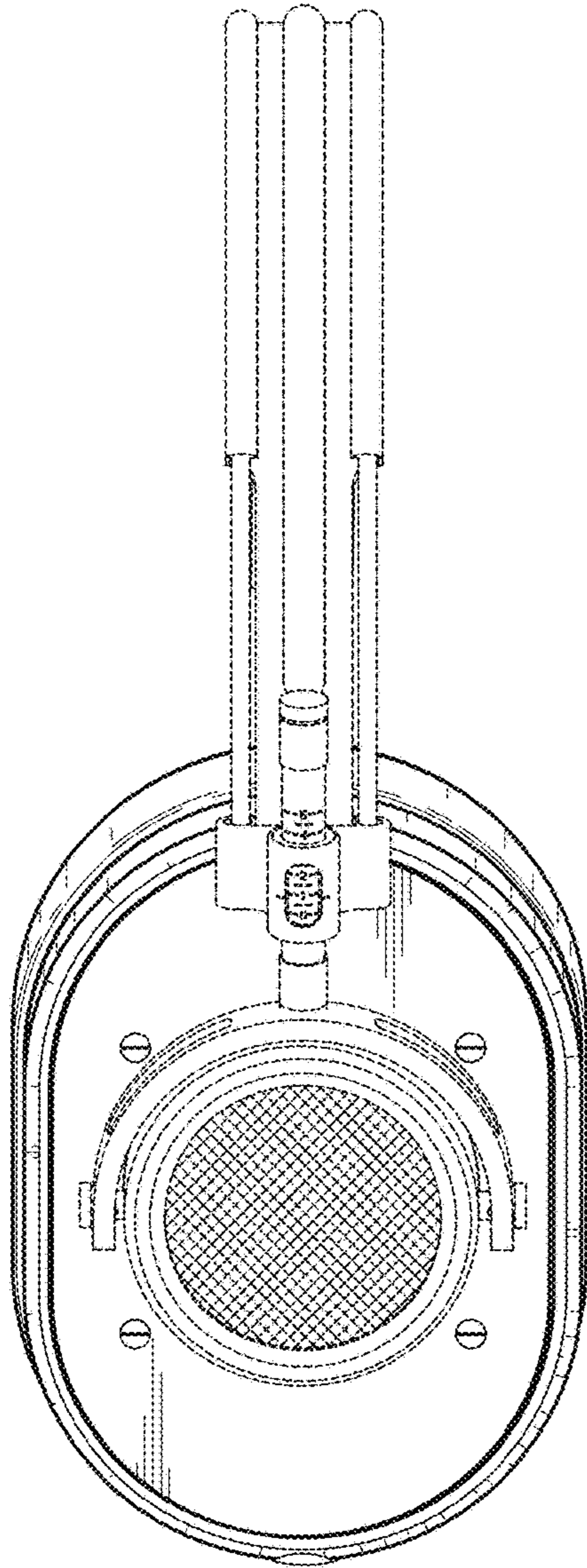


Fig. 4

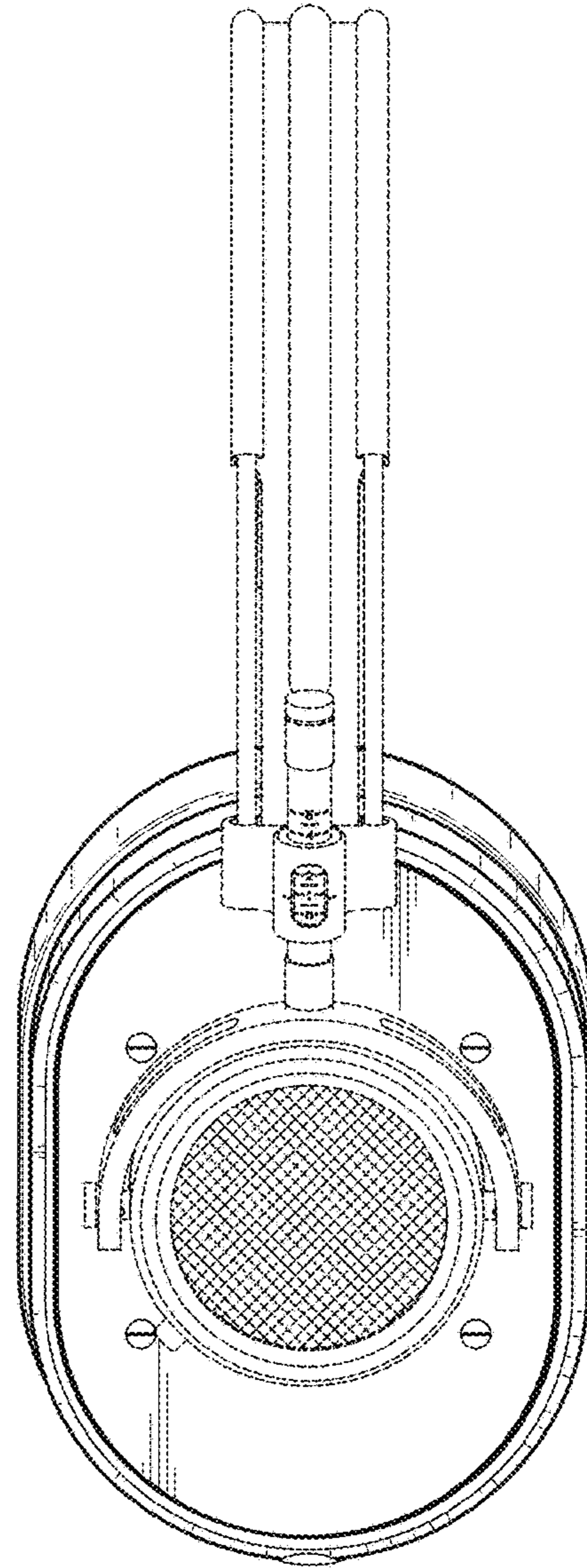


Fig. 5

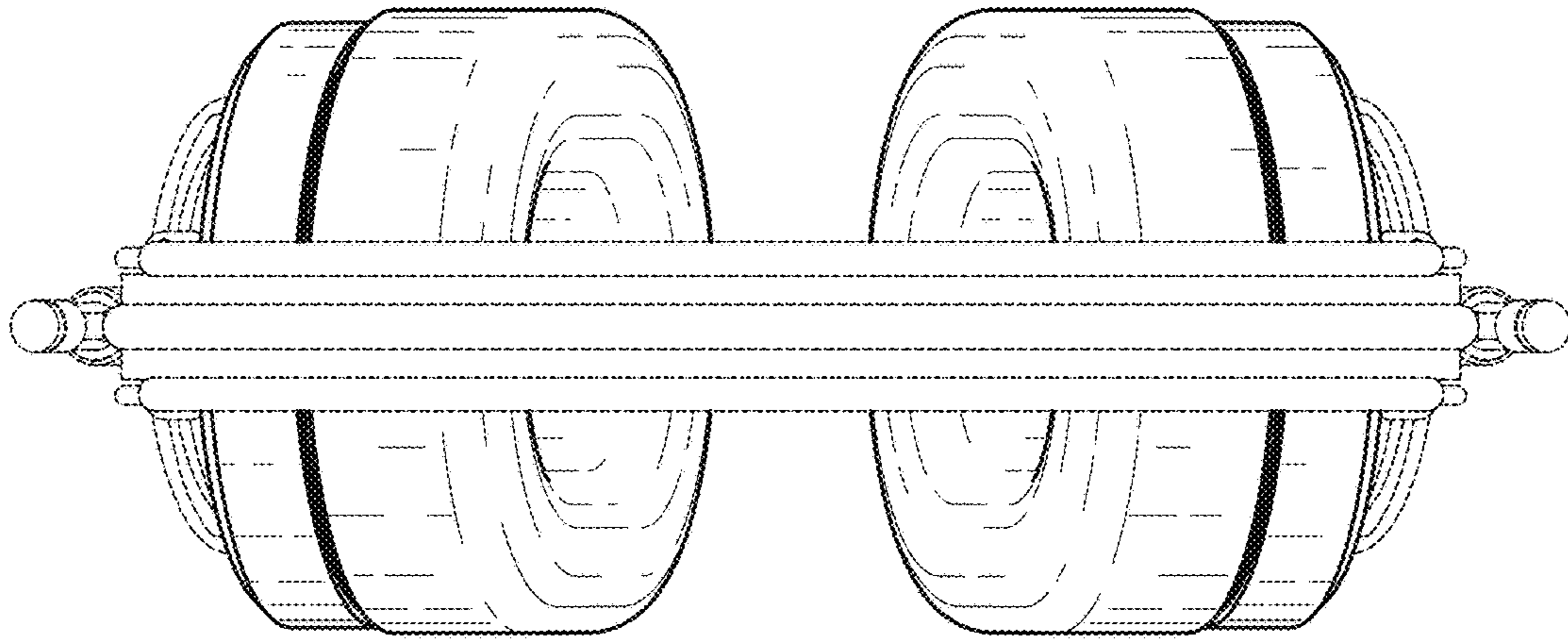


Fig. 6

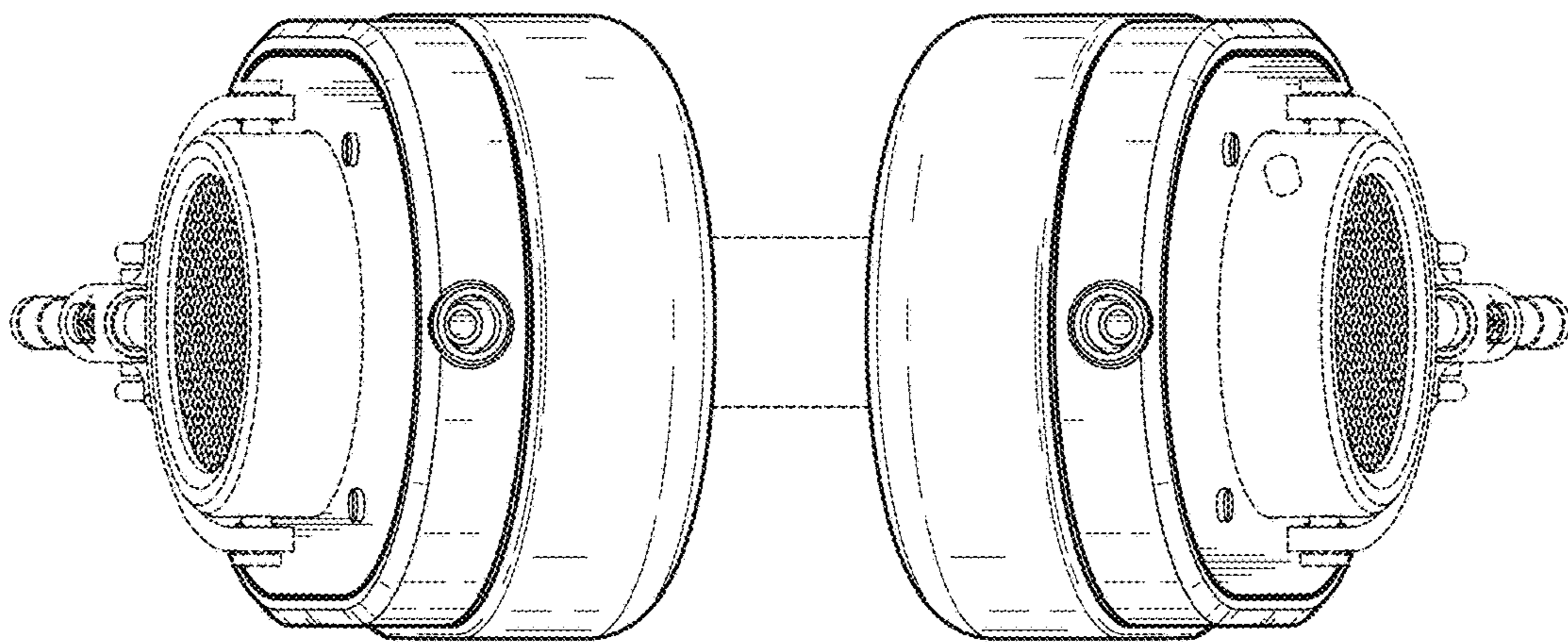


Fig. 7