



US00D772840S

(12) **United States Design Patent** (10) **Patent No.:** **US D772,840 S**
Forslund et al. (45) **Date of Patent:** **** Nov. 29, 2016**

(54) **PAIR OF EARPHONES AND CASING**

Primary Examiner — Paula Greene

(71) Applicant: **epickal AB**, Lund (SE)

(74) *Attorney, Agent, or Firm* — Capitol City TechLaw

(72) Inventors: **Carl Forslund**, Lund (SE); **Mathias Walter**, Lund (SE); **Göran Schack**, Lund (SE); **Per Sennström**, Lund (SE); **Olle Lindén**, Lund (SE); **Kiril Trajkovski**, Lund (SE)

(57) **CLAIM**

The ornamental design for a pair of earphones and casing, as shown and described.

(73) Assignee: **epickal AB**, Lund (SE)

(**) Term: **14 Years**

DESCRIPTION

(21) Appl. No.: **29/526,688**

The file of this patent contains a least one drawing/photograph executed in color. Copies of this patent with color drawings/photographs will be provided by the United States Patent and Trademark Office upon request and payment of the necessary fee.

(22) Filed: **May 12, 2015**

(30) **Foreign Application Priority Data**

Dec. 11, 2014 (EM) 002576751

(51) **LOC (10) Cl.** **14-01**

(52) **U.S. Cl.**

USPC **D14/205**; D14/223

(58) **Field of Classification Search**

USPC D14/205, 223; D3/218; D13/103; 429/159; D24/106; 181/129, 130, 135; 379/428.01, 430, 437; 381/380, 381, 381/309, 384, 74, 322, 323; 24/11 R; 455/557; 206/523, 224

CPC H04R 1/1033; H04R 1/10; H04R 25/00; H04R 1/1025

See application file for complete search history.

FIG. 1 is a front view of a pair of earphones and casing showing our new design;
FIG. 2 is a bottom view thereof;
FIG. 3 is a front, bottom, and right side perspective view thereof;
FIG. 4 is a front, top, and left side perspective view thereof;
FIG. 5 is a top view thereof;
FIG. 6 is a right side view thereof;
FIG. 7 is a front, top, and left side perspective view of a pair of earphones and casing in an opened alternate position and without earphones for purposes of illustration thereof;
FIG. 8 is a front, bottom, and right side perspective view showing the casing in an opened alternate position and holding one earphone for purposes of illustration thereof;
FIG. 9 is a front view showing the casing in an opened condition and holding two earphones thereof;
FIG. 10 is an enlarged rear view of an earphone shown separately for purposes of illustration thereof;
FIG. 11 is an enlarged top, rear, and left side perspective view of an earphone thereof; and,
FIG. 12 is an enlarged left side view of an earphone thereof. The broken lines shown in FIGS. 7, 8, 10, and 11 illustrate portions of the pair of earphones and casing that form no part of the claimed design.

(56) **References Cited**

U.S. PATENT DOCUMENTS

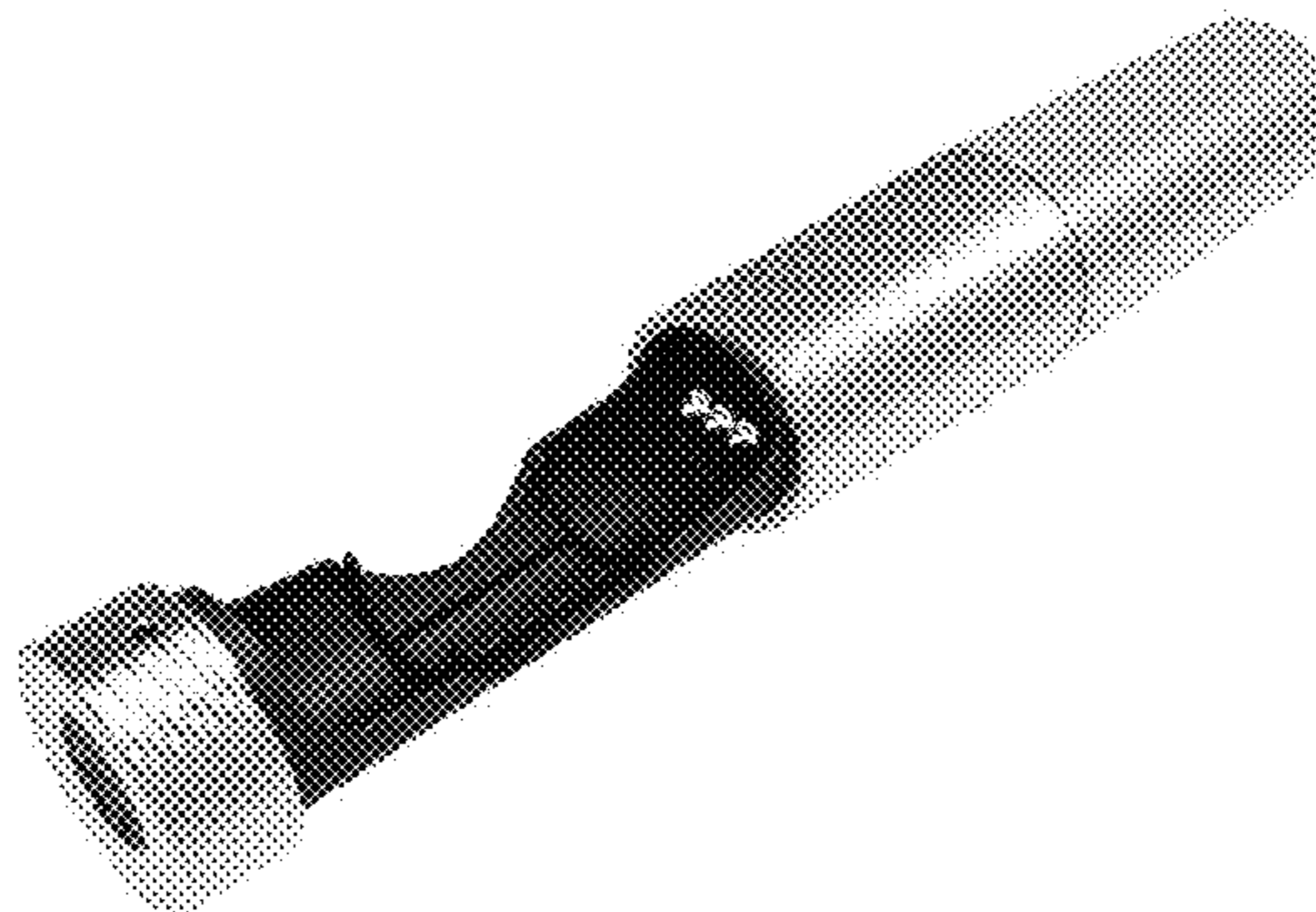
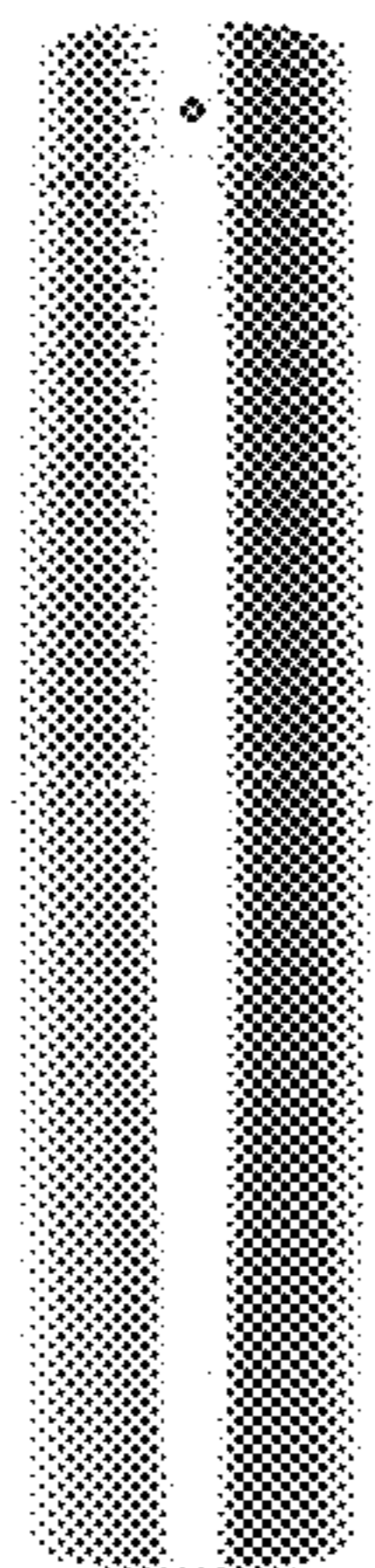
D18,003 S * 1/1888 Osborn D19/187
968,008 A * 8/1910 Waller A61F 11/12
128/866

(Continued)

OTHER PUBLICATIONS

Earin, "The World's Smallest Wireless Earbuds", [retrieved on Jul. 24, 2015], Retrieved from the internet:<URL:<[http://www.earin.com/\(undated\) 1 page. Product publicly available prior to Jun. 29, 2015.*](http://www.earin.com/(undated) 1 page. Product publicly available prior to Jun. 29, 2015.*)

1 Claim, 8 Drawing Sheets
(6 of 8 Drawing Sheet(s) Filed in Color)



(56)

References Cited

U.S. PATENT DOCUMENTS

1,668,910 A * 5/1928 Jones H04R 1/1016
181/130
D98,095 S * 1/1936 Steckler D24/106
2,358,339 A * 9/1944 Lucas B66C 23/48
212/263
2,670,737 A * 3/1954 Cantor A61F 11/08
128/864
2,697,128 A * 12/1954 Moore F21L 4/00
362/198
D182,820 S * 5/1958 Kamp D14/225
2,934,160 A * 4/1960 Touson A61F 11/10
181/130
2,951,107 A * 8/1960 Abrams H01M 2/105
248/224.8
3,259,128 A * 7/1966 Leight A61F 11/08
128/865
3,575,725 A * 4/1971 Kaye H01M 2/105
429/157
3,859,140 A * 1/1975 Schmidt H01M 2/105
429/99
D235,483 S * 6/1975 Leight D24/106
D259,279 S * 5/1981 Takeda D24/106
4,265,984 A * 5/1981 Kaye H01M 2/105
429/151
4,314,553 A * 2/1982 Westerdal A61F 11/12
128/201.18
4,552,137 A * 11/1985 Strauss A61F 11/08
128/864
4,622,975 A * 11/1986 Danby A61B 5/042
600/379
4,648,013 A * 3/1987 Curiel F21L 4/08
136/251
D333,560 S * 3/1993 Miyashita D3/218
5,434,374 A * 7/1995 Hsueh F01N 1/12
181/227
5,709,964 A * 1/1998 Christensen H01M 2/105
429/153
D413,379 S * 8/1999 Leight D24/106
D435,036 S * 12/2000 Koss D14/223
D468,301 S * 1/2003 Fushimi D14/223
6,567,527 B1 * 5/2003 Baker H01M 2/0202
381/322

6,677,078 B2 * 1/2004 Reise H01M 2/1055
429/159
6,830,124 B2 * 12/2004 Chiang A61F 11/08
128/864
7,010,137 B1 * 3/2006 Leedom A61B 5/6817
381/322
D532,372 S * 11/2006 Keating D13/108
D573,588 S * 7/2008 Warren D14/225
D584,398 S * 1/2009 Benner D24/106
D587,681 S * 3/2009 Yanai D14/205
D594,441 S * 6/2009 Lee D14/205
D605,628 S * 12/2009 Ando D14/205
D606,971 S * 12/2009 Christopher D14/205
D614,168 S * 4/2010 Rogers D14/206
D621,389 S * 8/2010 Nagayama D14/223
D639,280 S * 6/2011 Hayes D14/223
D652,817 S * 1/2012 Lee D14/205
D654,056 S * 2/2012 Hoggarth D14/205
8,275,166 B2 * 9/2012 Wu H04R 25/00
381/328
8,515,103 B2 * 8/2013 Mei H04R 1/1016
381/309
8,609,266 B2 * 12/2013 Ahn H01M 2/204
174/257
D699,226 S * 2/2014 Yoon D14/206
8,731,227 B2 * 5/2014 Hwang H04R 1/1091
181/135
8,867,748 B2 * 10/2014 Posa H04H 20/48
381/3
8,867,758 B2 * 10/2014 Terlizzi H01R 13/2428
379/428.01
8,873,250 B2 * 10/2014 Kroupa B65H 75/4434
242/400
8,891,800 B1 * 11/2014 Shaffer H04R 1/1025
379/437
D726,165 S * 4/2015 Kawaji D14/223
9,002,049 B2 * 4/2015 Higgins H04R 25/602
181/129
9,148,717 B2 * 9/2015 Shaffer H04R 1/1025
D751,053 S * 3/2016 Shin D14/205
2014/0166122 A1 * 6/2014 Goldstein H04R 1/1041
137/223
2015/0245127 A1 * 8/2015 Shaffer H04R 1/1025
381/380
2015/0350762 A1 * 12/2015 Birger H04R 1/1016
381/74

* cited by examiner

Fig. 1

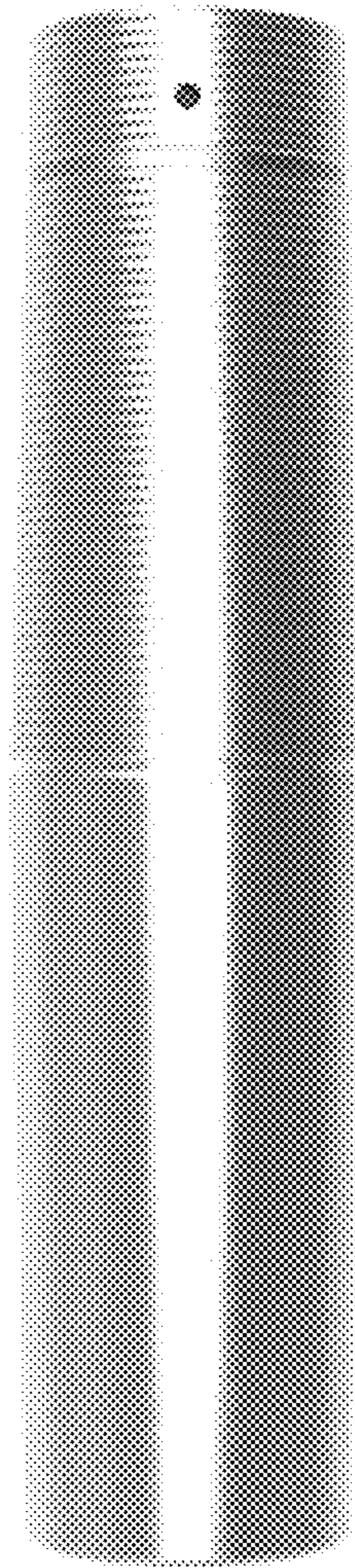


Fig. 2

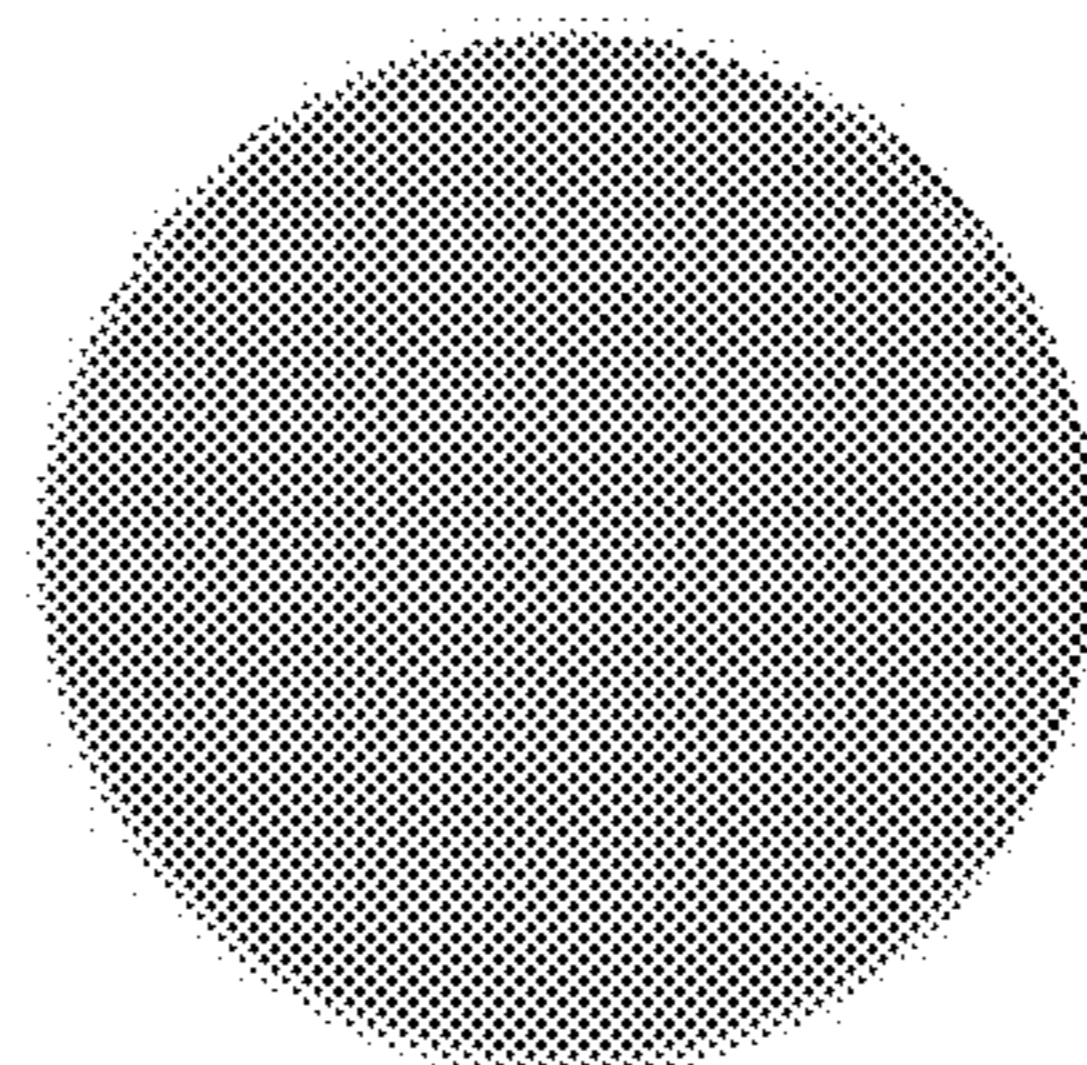


Fig. 3

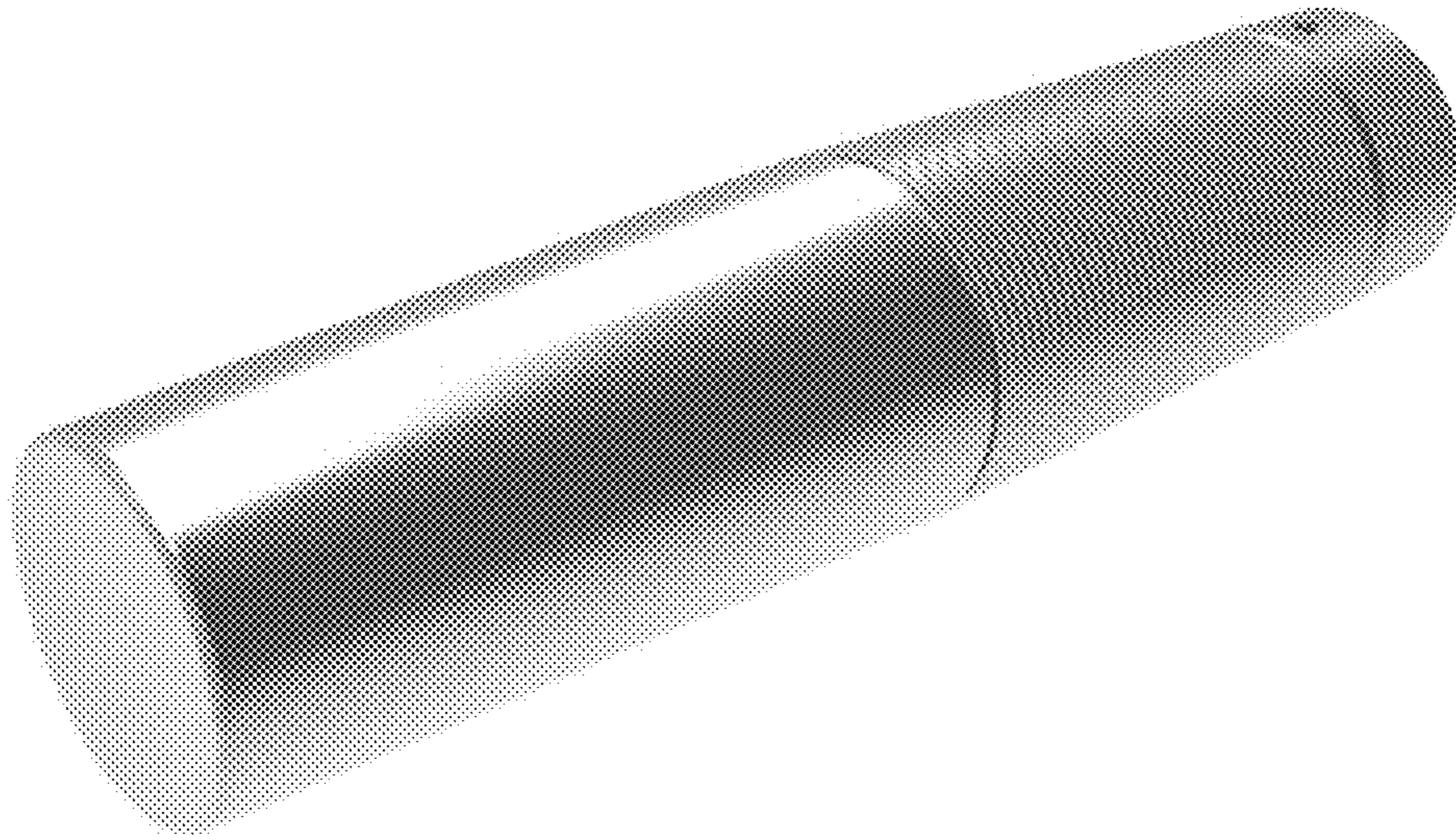


Fig. 4

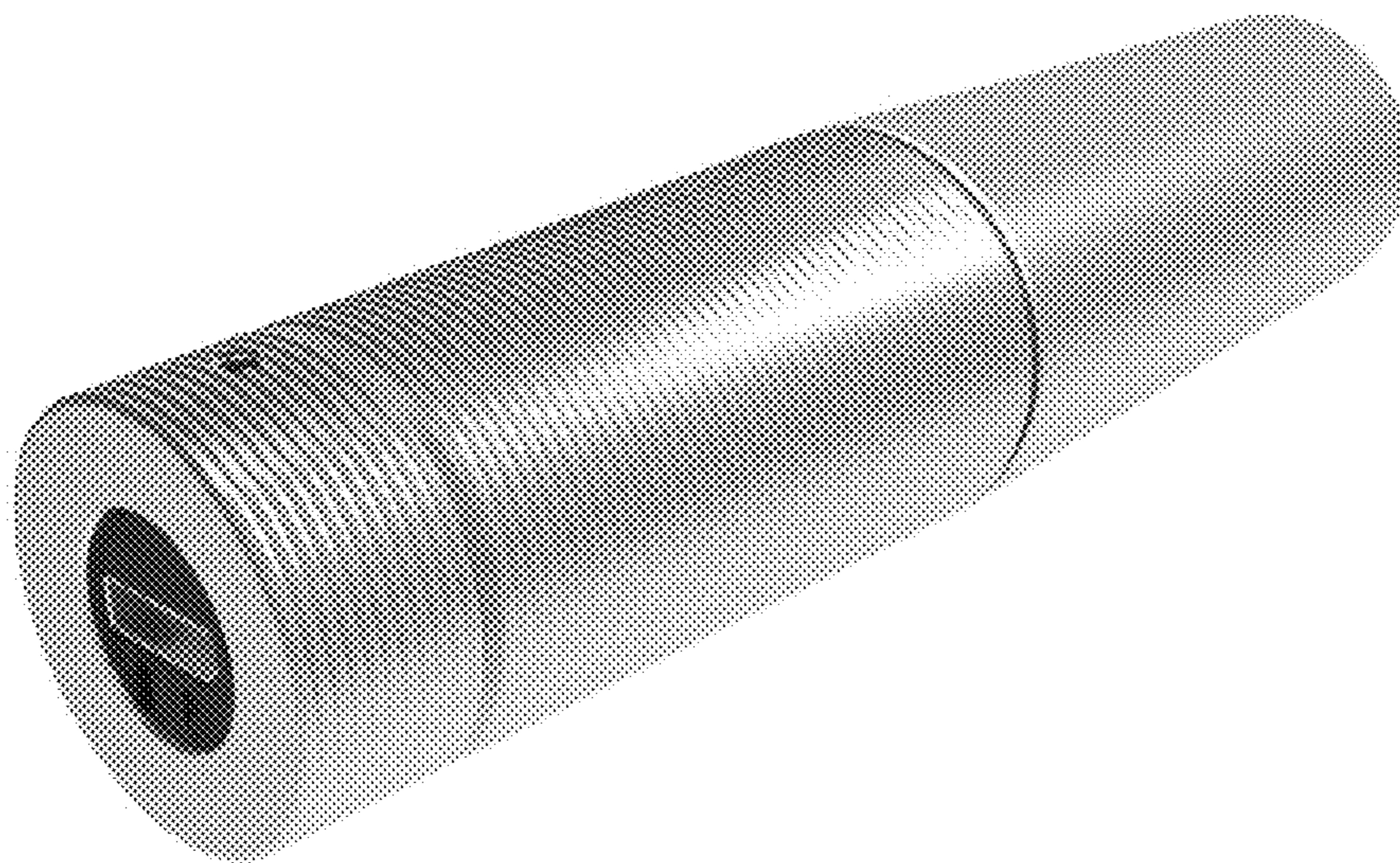


Fig. 5

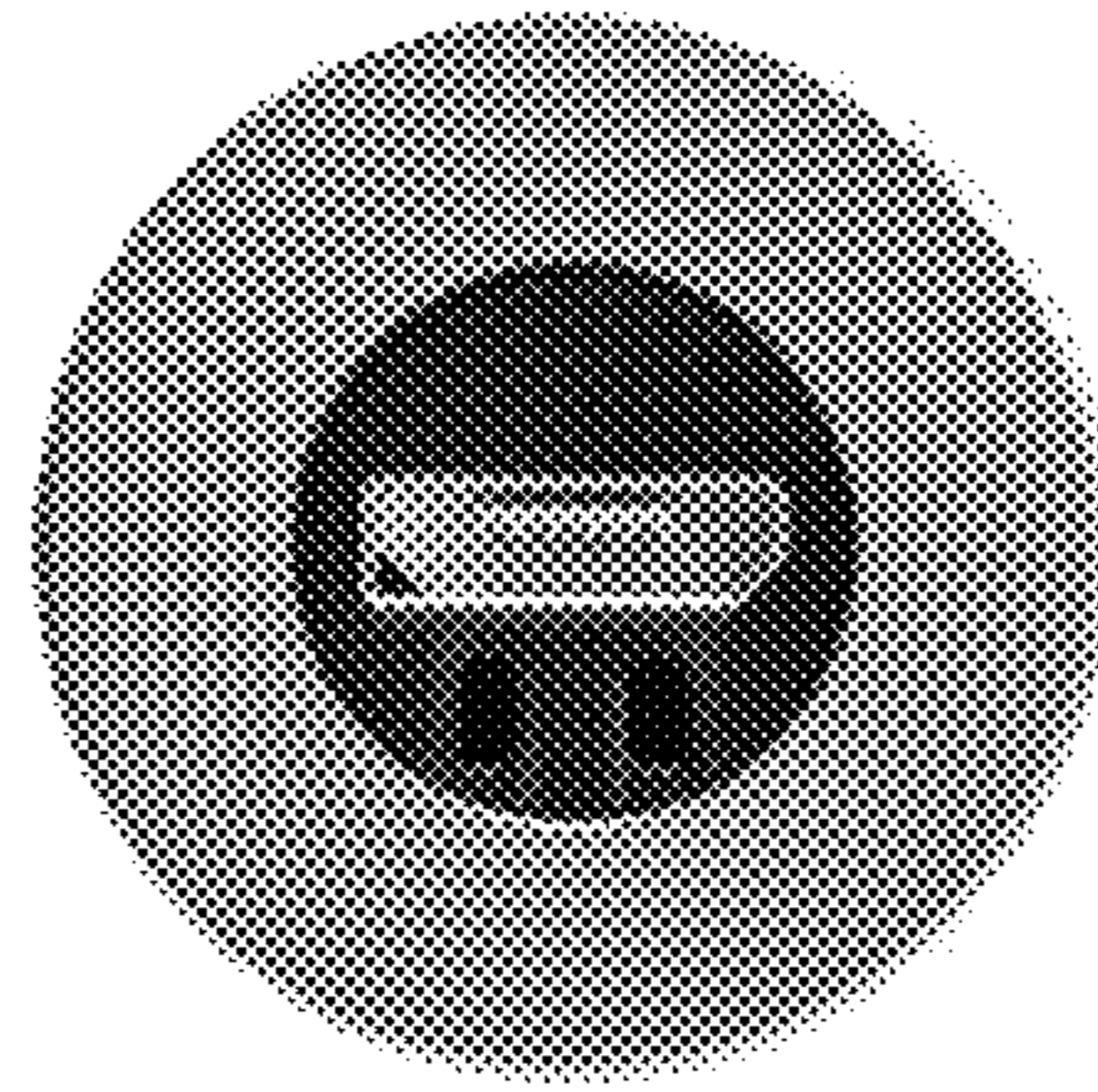


Fig. 6

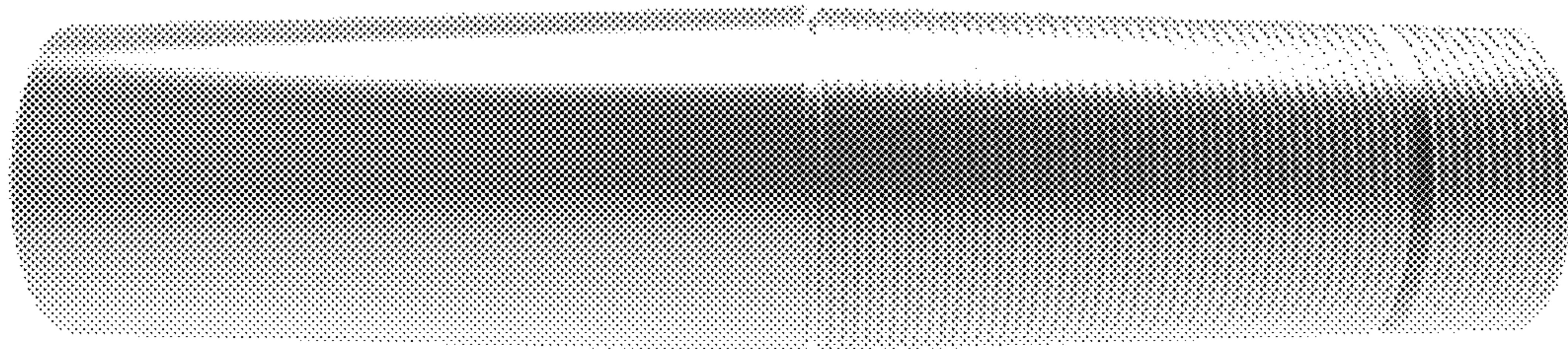


Fig. 7



Fig. 8

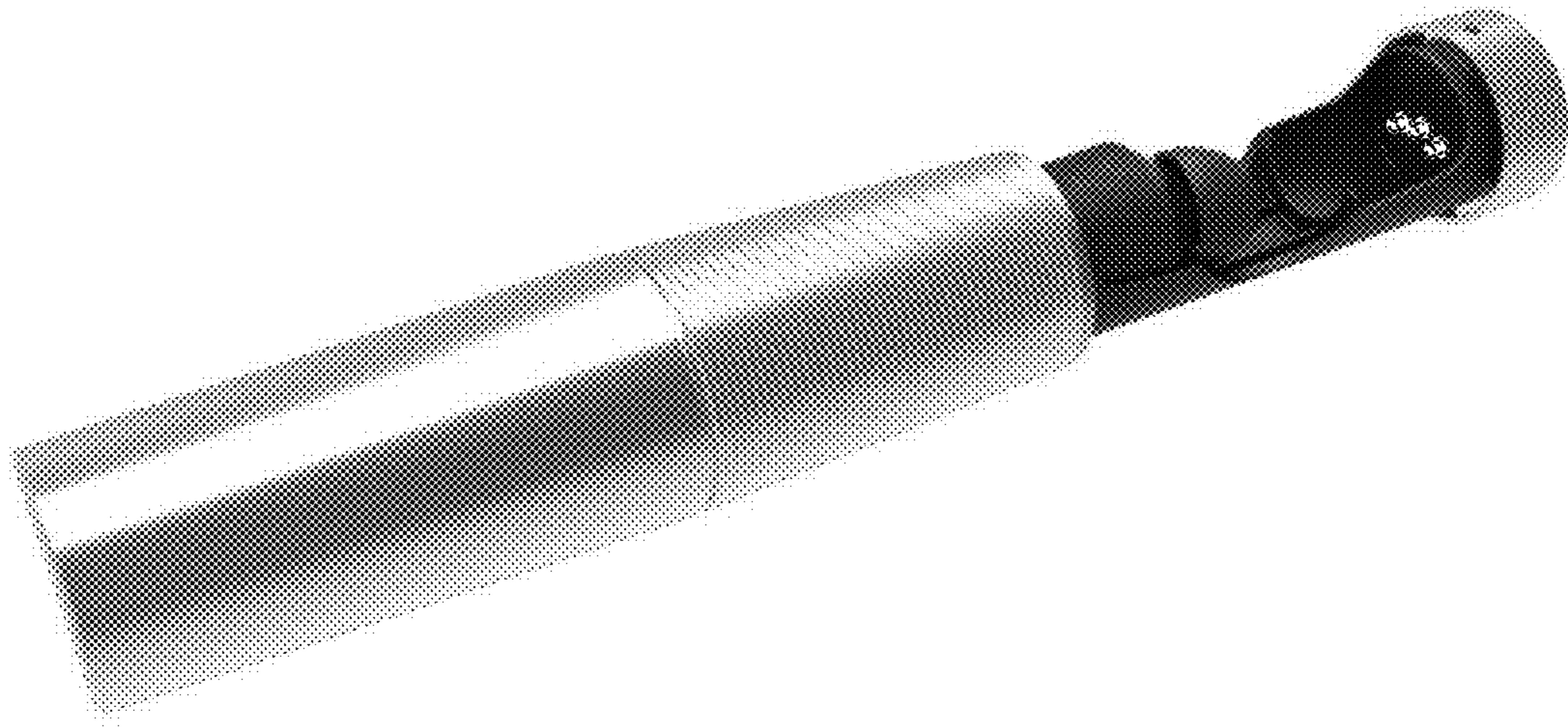


Fig. 9

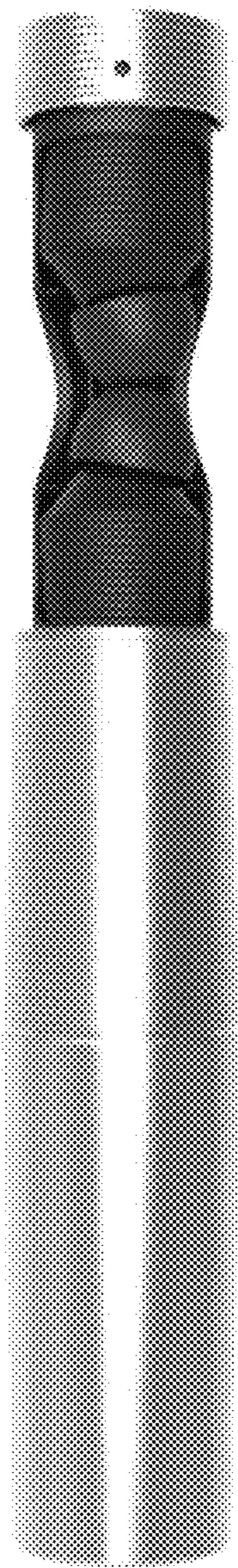


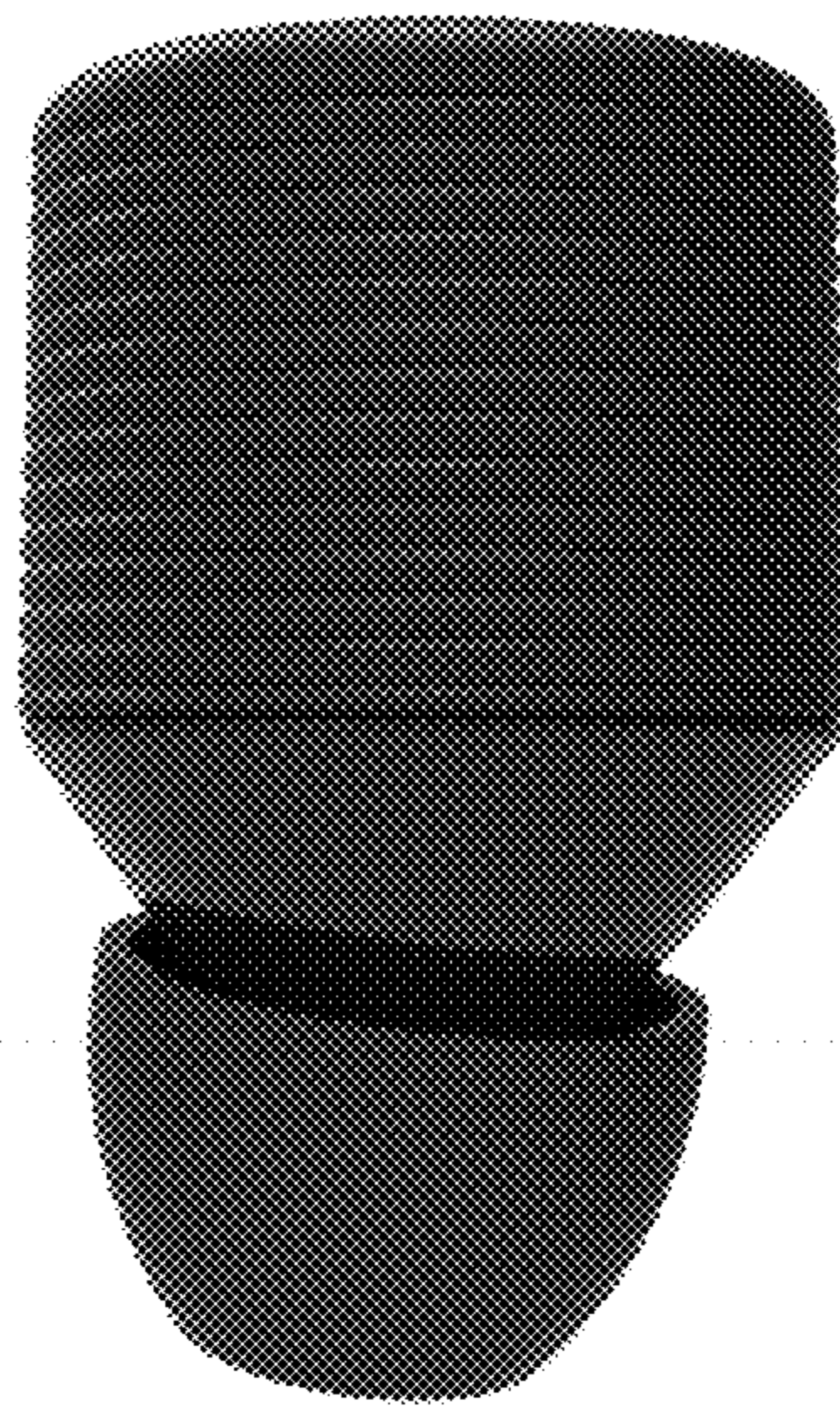
Fig. 10



Fig. 11



Fig. 12



UNITED STATES PATENT AND TRADEMARK OFFICE
CERTIFICATE OF CORRECTION

PATENT NO. : D772,840 S
APPLICATION NO. : 29/526688
DATED : November 29, 2016
INVENTOR(S) : Carl Forslund et al.

Page 1 of 1

It is certified that error appears in the above-identified patent and that said Letters Patent is hereby corrected as shown below:

On the Title Page

At item (30): Please change the date from "Dec. 11, 2014" to --Nov. 12, 2014--.

Signed and Sealed this
Fifth Day of December, 2017



Joseph Matal

*Performing the Functions and Duties of the
Under Secretary of Commerce for Intellectual Property and
Director of the United States Patent and Trademark Office*