



US00D772837S

(12) **United States Design Patent** (10) **Patent No.:** **US D772,837 S**
Larson et al. (45) **Date of Patent:** **** Nov. 29, 2016**

(54) **CALL DEVICE**

(56) **References Cited**

(71) Applicant: **RF Technologies, Inc.**, Brookfield, WI (US)

U.S. PATENT DOCUMENTS

(72) Inventors: **Paul Larson**, Menomonee Falls, WI (US); **John LaBorde**, Oconomowoc, WI (US); **Mary Van Himbergen**, Waukesha, WI (US); **Erik Stabl**, Menomonee Falls, WI (US); **Nasseim Bleibel**, Franklin, WI (US); **Michelle Dalton**, Menomonee Falls, WI (US); **Ron Kosek**, Oconomowoc, WI (US); **Ryan Beal**, Hartland, WI (US)

D258,577 S	3/1981	Bottner	
D277,465 S	2/1985	MacDonald	
D280,390 S	9/1985	Schweitzer	
D283,130 S *	3/1986	Boening	379/167.05
D297,128 S	8/1988	Guscott et al.	
D303,638 S	9/1989	Andrews et al.	
D313,362 S	1/1991	Reich et al.	
D369,807 S	5/1996	Lloyd et al.	
D385,878 S	11/1997	Flick	
D399,205 S *	10/1998	Wolf	D14/191
D417,216 S	11/1999	Wolf et al.	
D419,987 S	2/2000	Amron	
D435,533 S	12/2000	Hayashi	

(Continued)

(73) Assignee: **RF Technologies, Inc.**, Brookfield, WI (US)

OTHER PUBLICATIONS

(**) Term: **15 Years**

Restriction Requirement on U.S. Appl. No. 29/518,631, dated Aug. 31, 2015, 5 pages.

(21) Appl. No.: **29/532,883**

(Continued)

(22) Filed: **Jul. 10, 2015**

Primary Examiner — Robert M Spear
Assistant Examiner — Kendra L Hamilton
(74) *Attorney, Agent, or Firm* — Foley & Lardner LLP

Related U.S. Application Data

(62) Division of application No. 29/432,880, filed on Sep. 21, 2012, now Pat. No. Des. 736,738.

(51) **LOC (10) Cl.** **14-03**

(52) **U.S. Cl.**
USPC **D14/159**

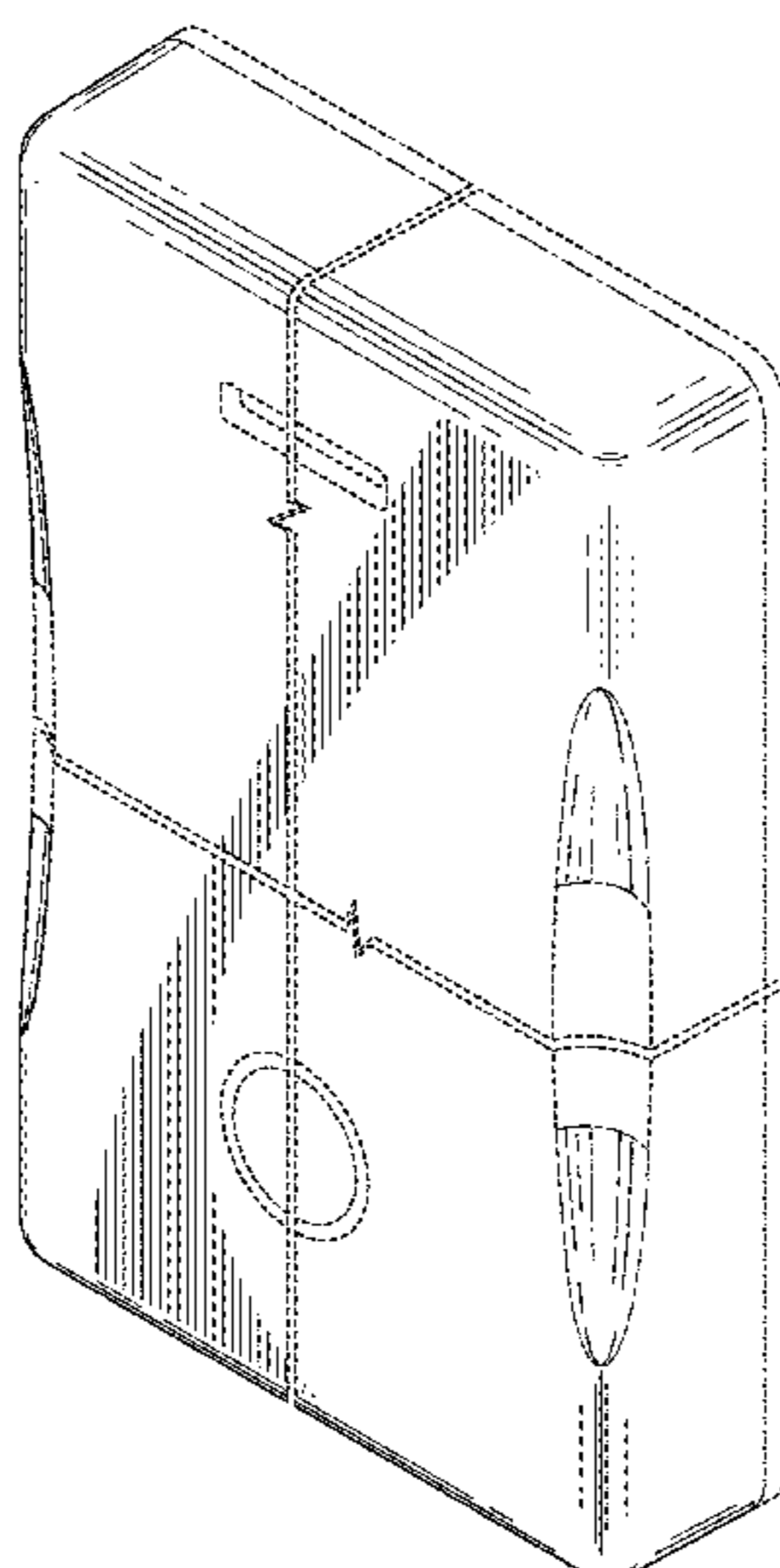
(58) **Field of Classification Search**
USPC D14/159, 155, 383, 167, 154, 168, 188, D14/496, 165, 158, 137; D10/104.1, 78, D10/106.1, 106.2, 106.3, 106.4, 106.5, D10/106.6, 106.7; 455/351, 350, 353; D9/414, 424
CPC A61B 5/7465
See application file for complete search history.

(57) **CLAIM**
We claim the ornamental design for a call device, as shown and described.

DESCRIPTION

FIG. 1 is a top, front, right perspective isometric view of a call device;
FIG. 2 is a front elevation view thereof;
FIG. 3 is a rear elevation view thereof;
FIG. 4 is a right elevation view thereof;
FIG. 5 is a left elevation view thereof;
FIG. 6 is a top plan view thereof; and,
FIG. 7 is a bottom plan view thereof.
The broken lines illustrate portions of the call device that form no part of the claimed design.

1 Claim, 6 Drawing Sheets



(56)

References Cited

U.S. PATENT DOCUMENTS

6,249,809 B1 6/2001 Bro
 D494,188 S 8/2004 Huang
 D521,508 S 5/2006 Ting
 D531,771 S 11/2006 Kim et al.
 D549,237 S * 8/2007 Andre D14/496
 D555,528 S 11/2007 Viscaino
 D558,790 S 1/2008 Yu et al.
 D562,306 S 2/2008 Jeong et al.
 D568,312 S * 5/2008 Wang D14/356
 D594,875 S 6/2009 Sheba et al.
 D598,424 S * 8/2009 Andre D14/203.3
 D609,701 S 2/2010 Hou
 D616,875 S 6/2010 Oh et al.
 D641,327 S * 7/2011 Falakfarsa D14/125
 D648,298 S 11/2011 Pierce et al.
 8,112,151 B1 2/2012 Cogan et al.
 D667,745 S 9/2012 Wu
 D680,458 S * 4/2013 Corso D10/104.1
 D682,806 S 5/2013 Smith et al.
 D693,798 S 11/2013 Chuang et al.
 D699,140 S 2/2014 Lopez
 D705,719 S 5/2014 Wong
 D708,977 S 7/2014 Corso et al.
 D720,314 S 12/2014 Wang
 D721,290 S * 1/2015 Varacca D10/78

D722,018 S * 2/2015 Wang D13/103
 D723,552 S 3/2015 Clegg et al.
 D726,295 S * 4/2015 Kim D23/351
 D727,321 S 4/2015 Laborde et al.
 D727,360 S 4/2015 Peng et al.
 D730,328 S 5/2015 Chun et al.
 D733,043 S * 6/2015 Hasbrook D13/103
 D740,781 S * 10/2015 Thomas D14/159
 D742,851 S * 11/2015 Matthews D14/188
 2006/0238297 A1 10/2006 Tang et al.
 2011/0159469 A1 6/2011 Hwang et al.

OTHER PUBLICATIONS

Non-Final Office Action on U.S. Appl. No. 29/432,880 Dated Dec. 19, 2014, 8 pages.
 Notice of Allowance on U.S. Appl. No. 29/432,880 Dated Apr. 15, 2015, 7 pages.
 Notice of Allowance on U.S. Appl. No. 29/432,889 Dated Dec. 4, 2014, 9 pages.
 RF Technologies, Quick Response S Wireless Call, http://www.rft.com/RapidCat/WebPageImages/1379/8354//Code_Alert/LIT30100_QRS_web.pdf, retrieved on Sep. 20, 2012, 2 pages.
 Non-Final Office Action on U.S. Appl. No. 29/518,631, dated Dec. 7, 2015, 6 pages.

* cited by examiner

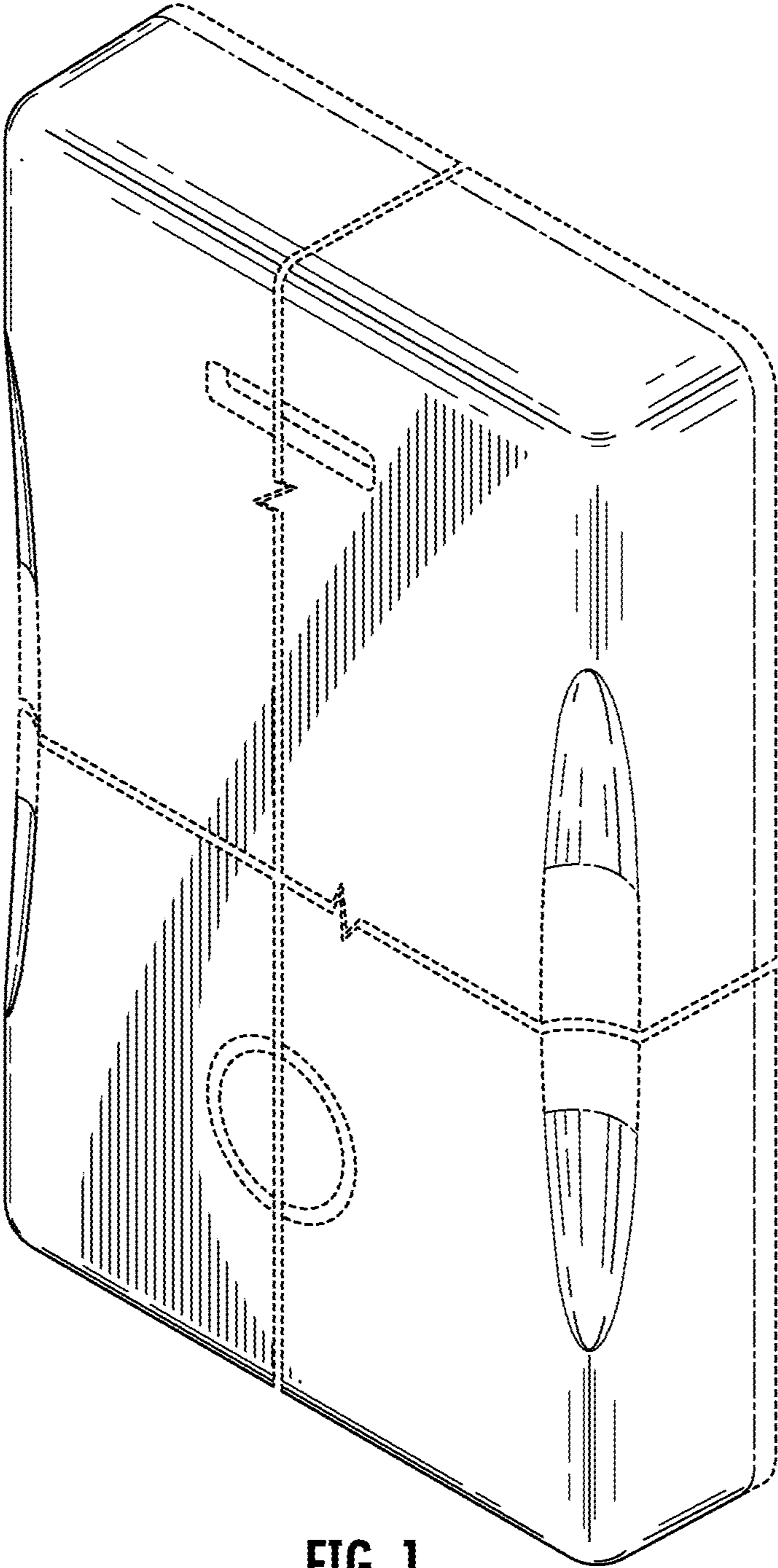


FIG. 1

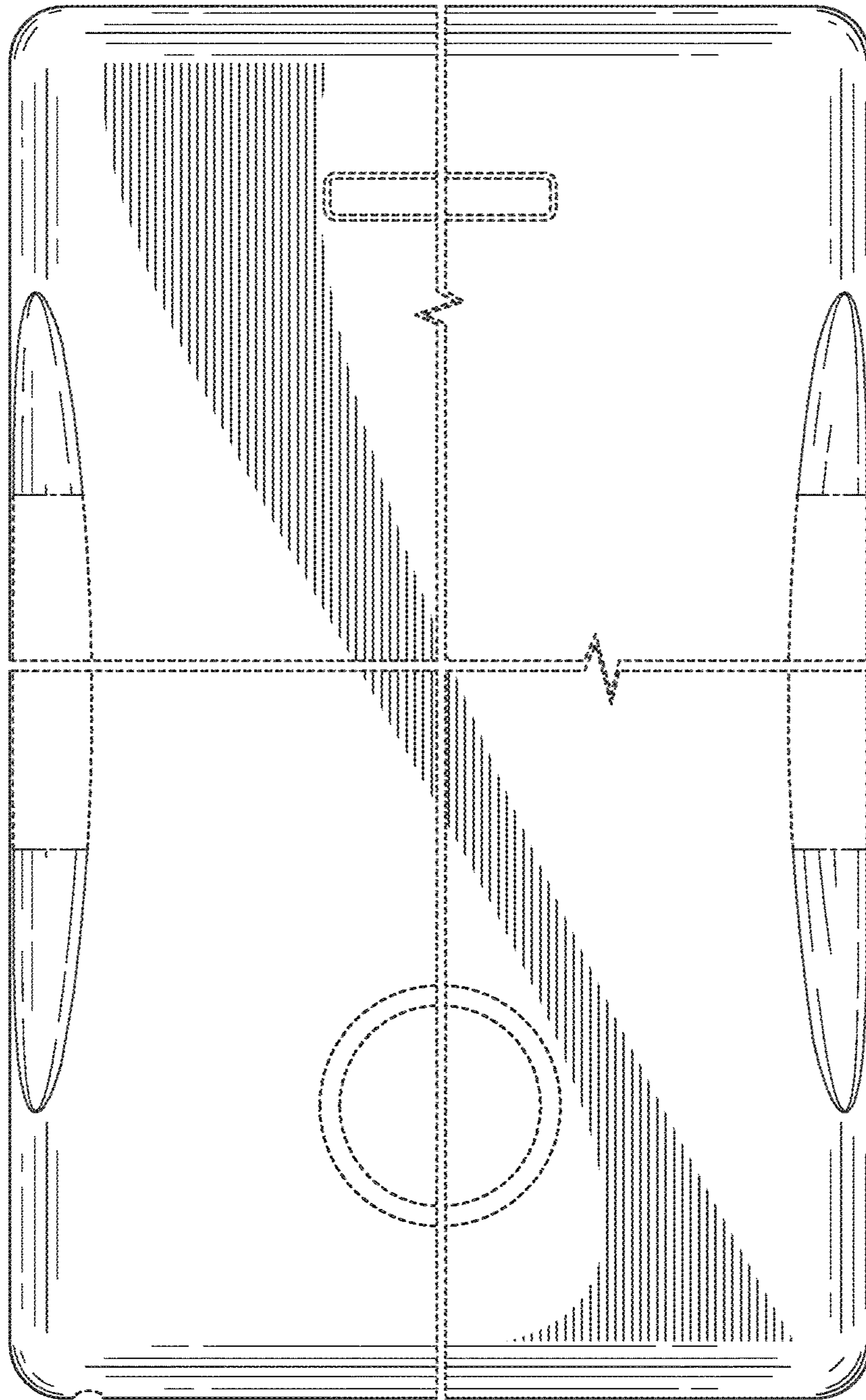


FIG. 2

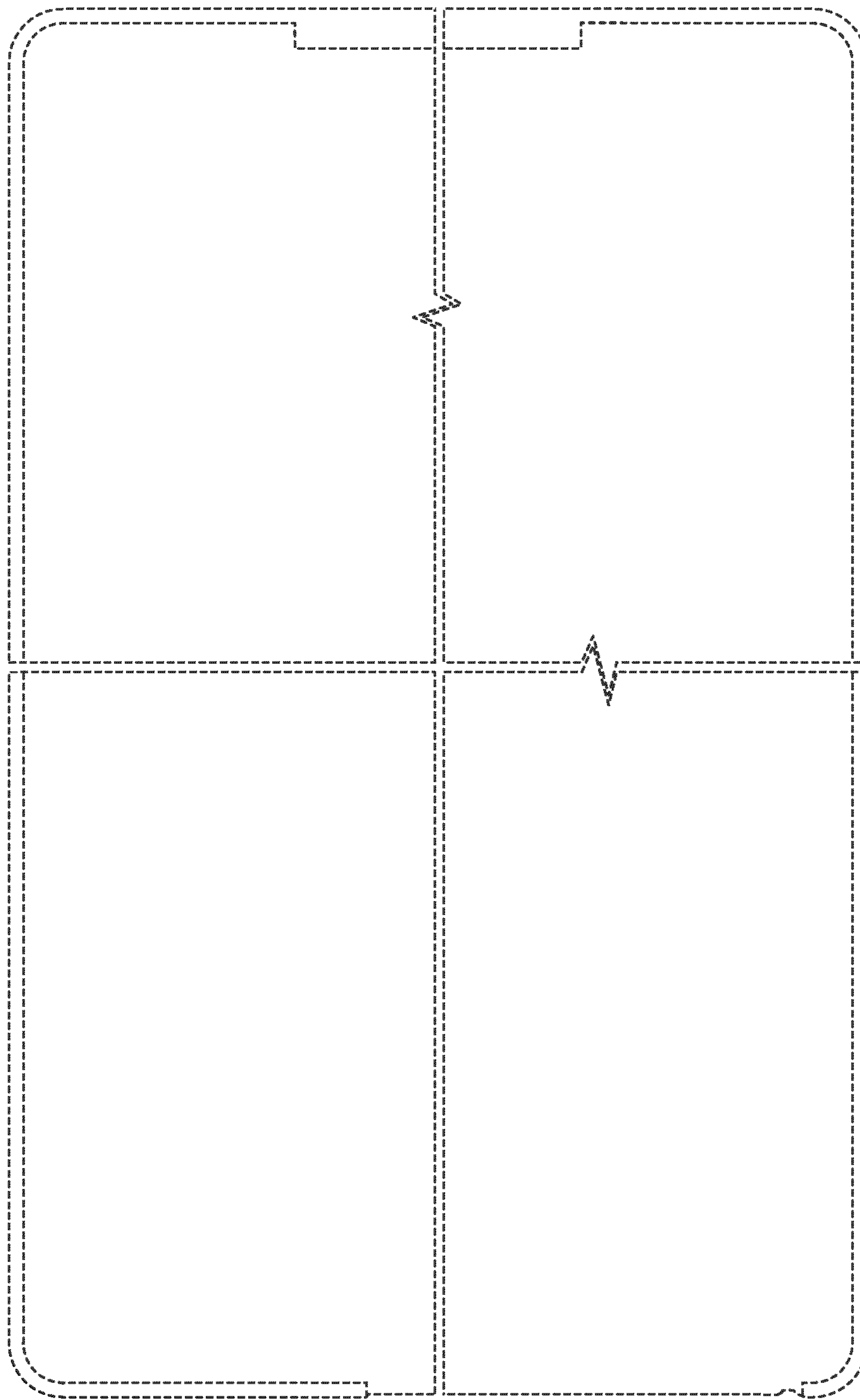


FIG. 3

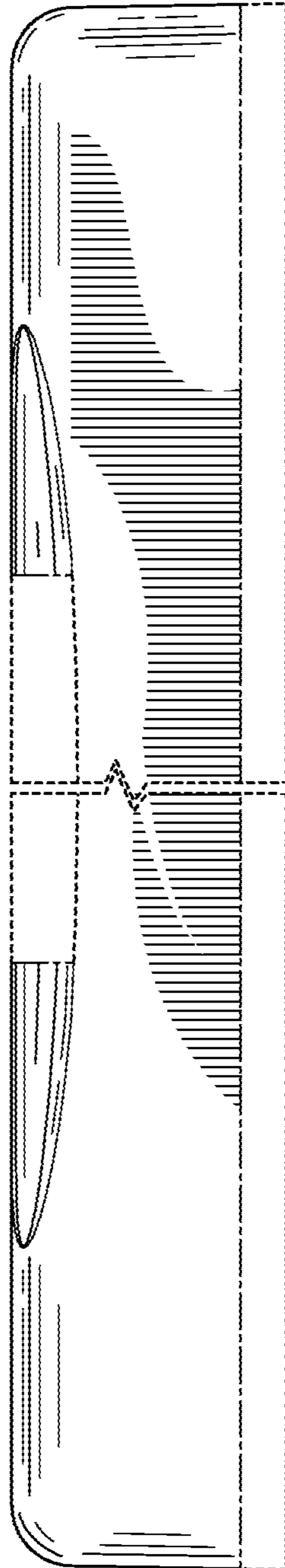


FIG. 4

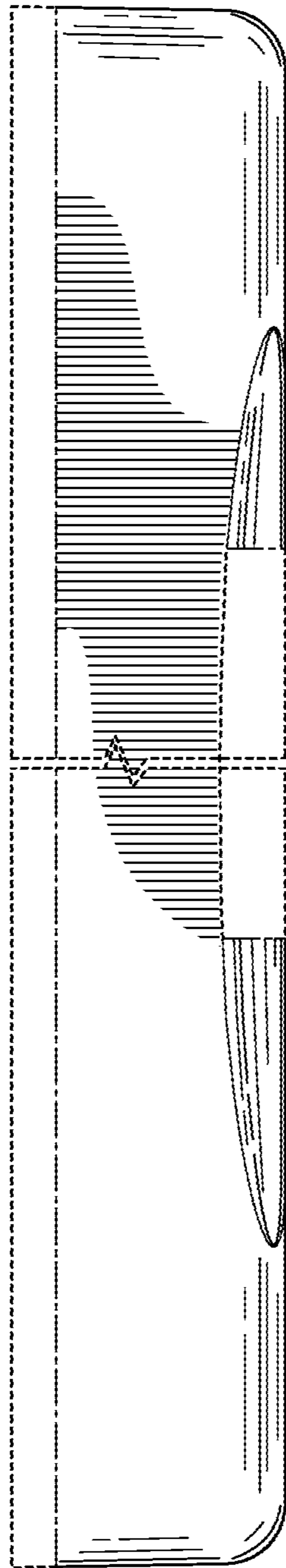


FIG. 5

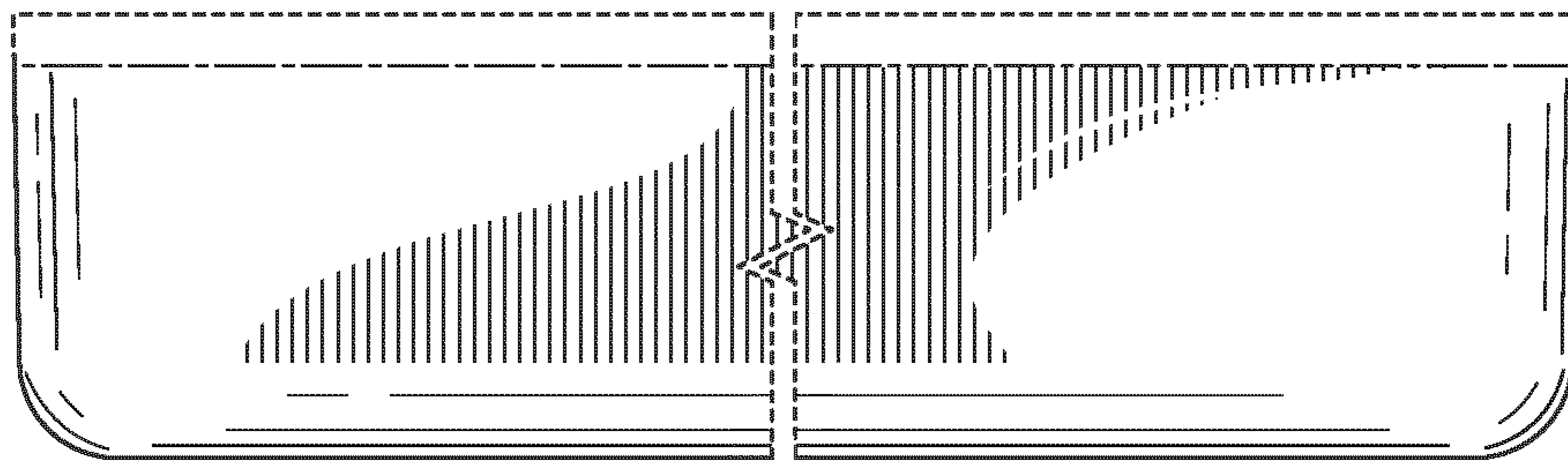


FIG. 6

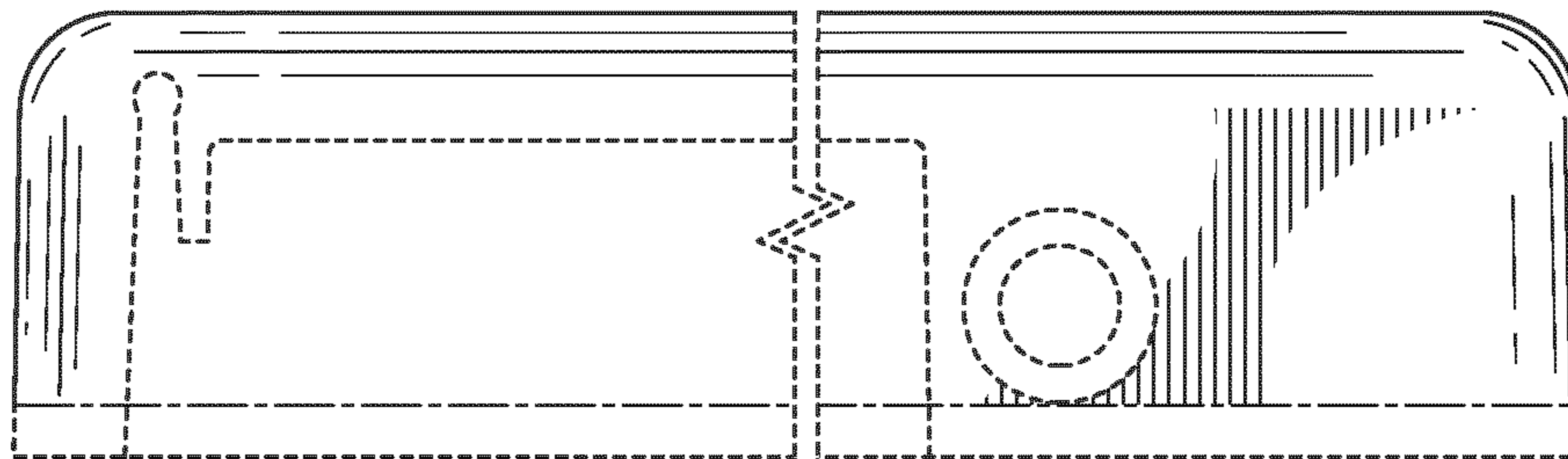


FIG. 7