



US00D772836S

(12) **United States Design Patent** (10) **Patent No.:** **US D772,836 S**
Engelke et al. (45) **Date of Patent:** **** Nov. 29, 2016**

- (54) **TELECOMMUNICATION DEVICE**
- (71) Applicants: **Robert M. Engelke**, Madison, WI
 (US); **Kevin Colwell**, Middleton, WI
 (US); **Troy Vitek**, Waunakee, WI (US);
Peter Kirschhoffer, Lake Mills, WI
 (US)
- (72) Inventors: **Robert M. Engelke**, Madison, WI
 (US); **Kevin Colwell**, Middleton, WI
 (US); **Troy Vitek**, Waunakee, WI (US);
Peter Kirschhoffer, Lake Mills, WI
 (US)

D315,908 S *	4/1991	Ward	D14/250
D315,909 S *	4/1991	Ward	D14/250
D350,893 S *	9/1994	Sinanis	D14/250
D375,314 S *	11/1996	Tagliani	D14/253
D376,805 S *	12/1996	Johansson	D14/253
D429,242 S *	8/2000	Sun	D14/253
D653,646 S *	2/2012	Hovdal	D14/142
D723,006 S *	2/2015	Pat	D14/217
D723,502 S *	3/2015	Chun	D14/130
D723,503 S *	3/2015	Jeon	D14/130
D739,372 S *	9/2015	Ferriell	D14/142
D745,485 S *	12/2015	Moon	D14/140.8
D747,699 S *	1/2016	Mattioli	D14/217
D757,677 S *	5/2016	Hutt	D14/151

* cited by examiner

- (**) Term: **15 Years**
- (21) Appl. No.: **29/561,861**
- (22) Filed: **Apr. 20, 2016**

Primary Examiner — Rosemary K Tarcza
Assistant Examiner — Sanjeev Paul
 (74) *Attorney, Agent, or Firm* — Quarles & Brady LLP

Related U.S. Application Data

- (62) Division of application No. 29/477,272, filed on Dec. 20, 2013.
- (51) **LOC (10) Cl.** **14-03**
- (52) **U.S. Cl.**
 USPC **D14/151**
- (58) **Field of Classification Search**
 None
 See application file for complete search history.

(57) **CLAIM**

The ornamental design for a telecommunication device, as shown and described.

DESCRIPTION

FIG. 1 is a top, front, right perspective view of a telecommunication device according to our new design;
 FIG. 2 is a front view thereof;
 FIG. 3 is a right side elevational view thereof;
 FIG. 4 is a left side elevational view thereof;
 FIG. 5 is a top plan view thereof;
 FIG. 6 is a rear end view thereof; and,
 FIG. 7 is a bottom plan view thereof.

The broken line representations in the figures show unclaimed environment or boundaries, and thus form no part of the claimed design.

The nature of this product is a telecommunication device, such as a telephone or portion thereof.

(56) **References Cited**

U.S. PATENT DOCUMENTS

D274,428 S *	6/1984	Bottner	D14/245
D276,198 S *	11/1984	Licari	D10/3
4,763,352 A *	8/1988	Goff	H04M 1/11 379/145
D304,564 S *	11/1989	Kido	379/440
D304,717 S *	11/1989	Barker	D14/142

1 Claim, 6 Drawing Sheets

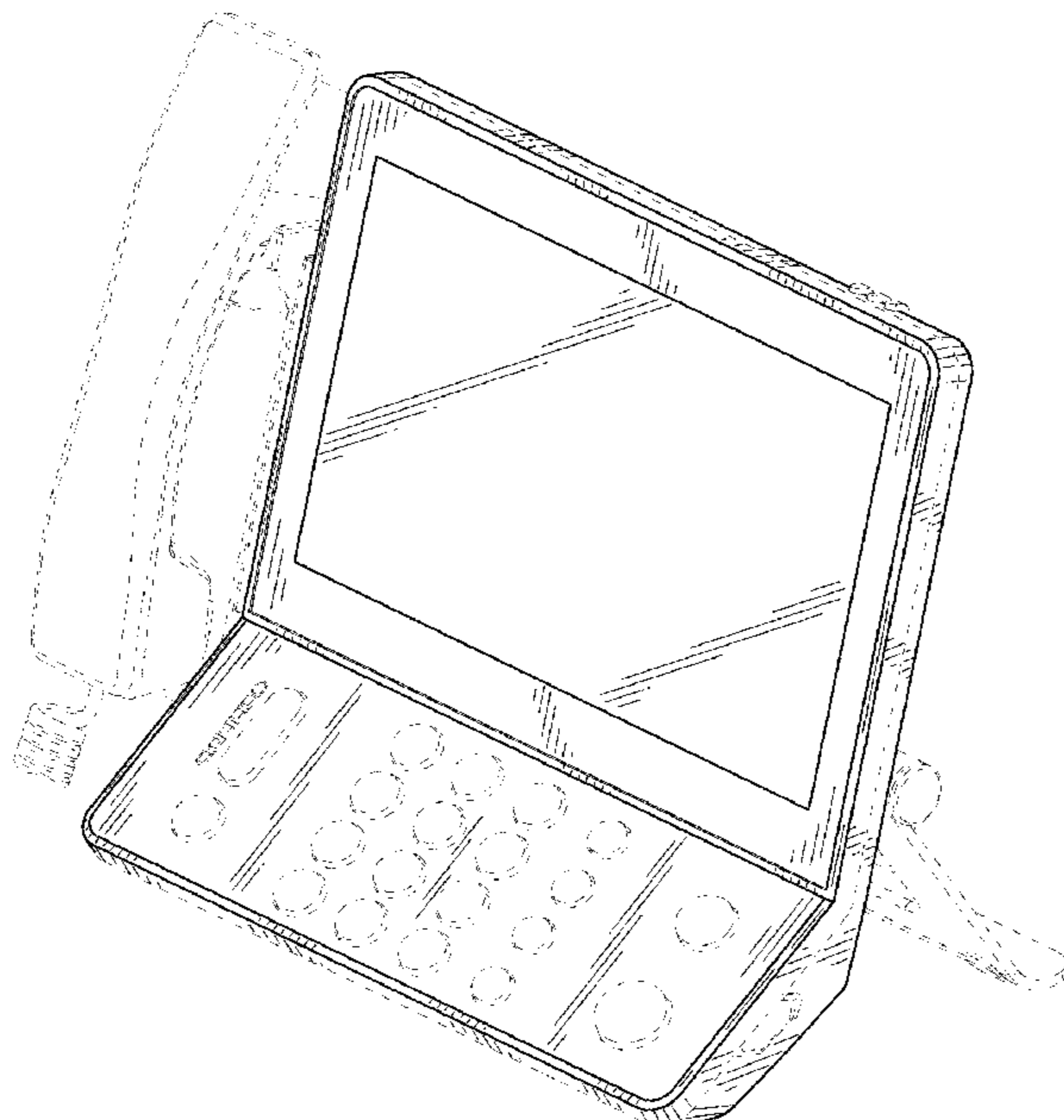
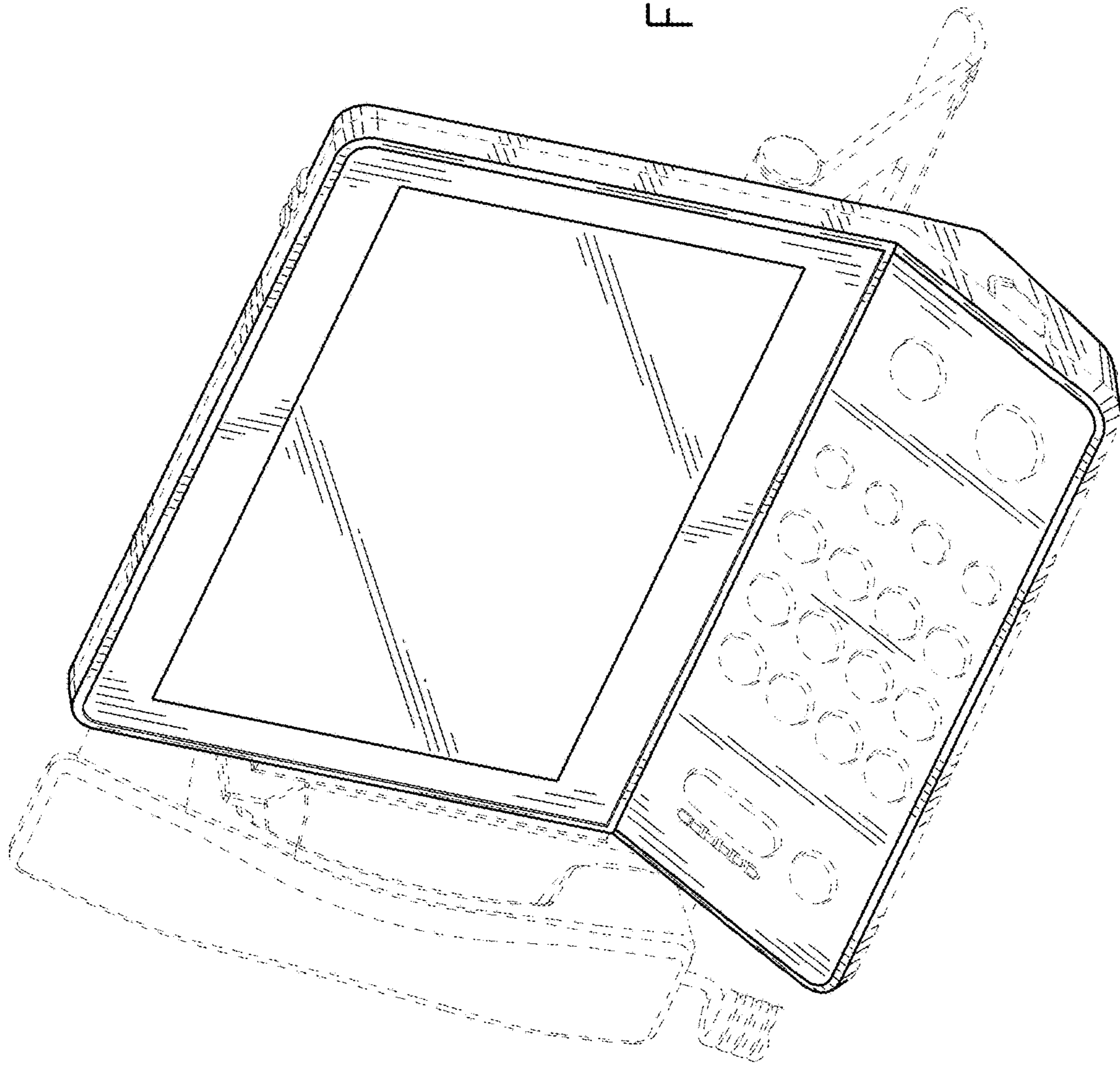


FIG. 1



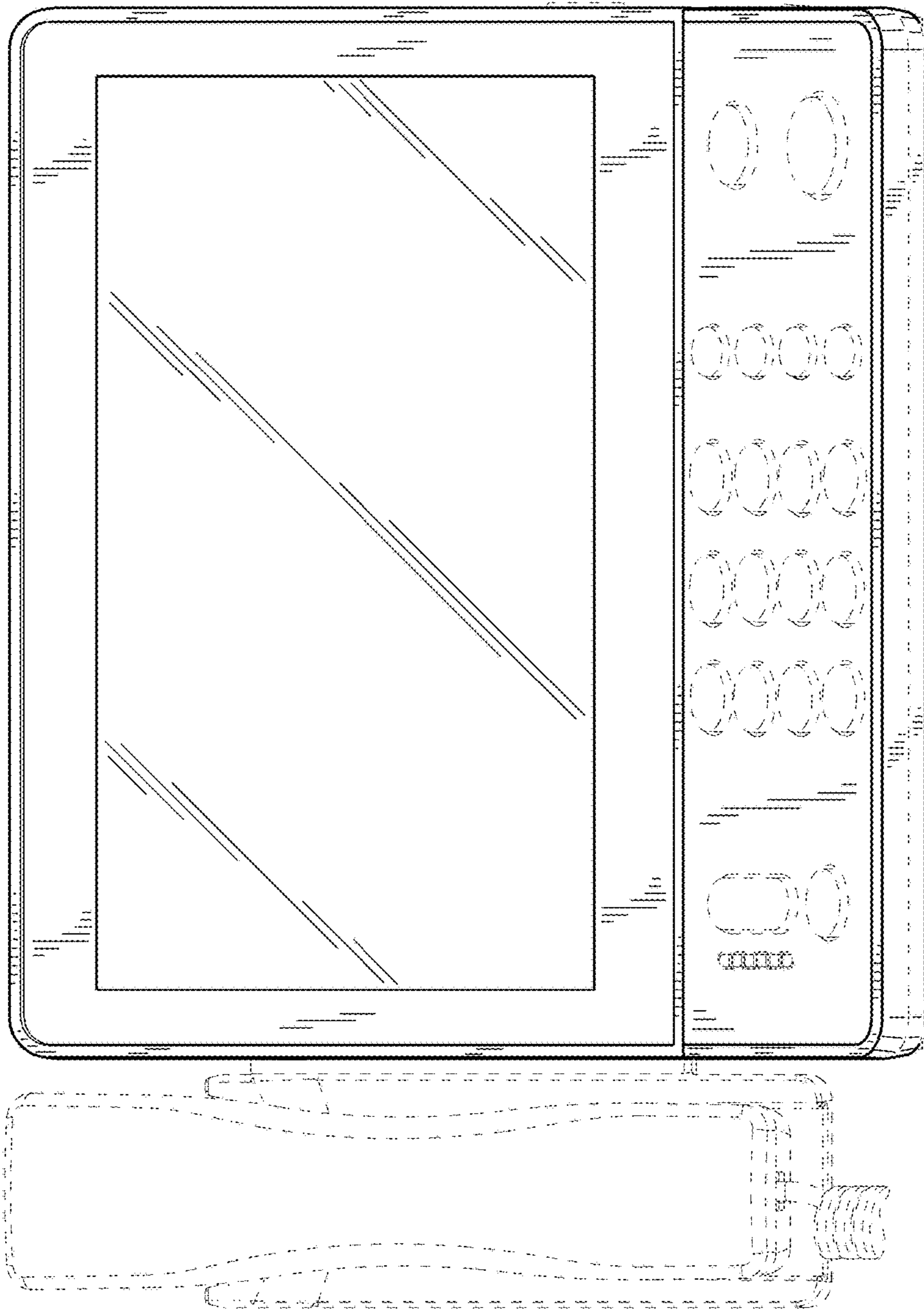


FIG. 2

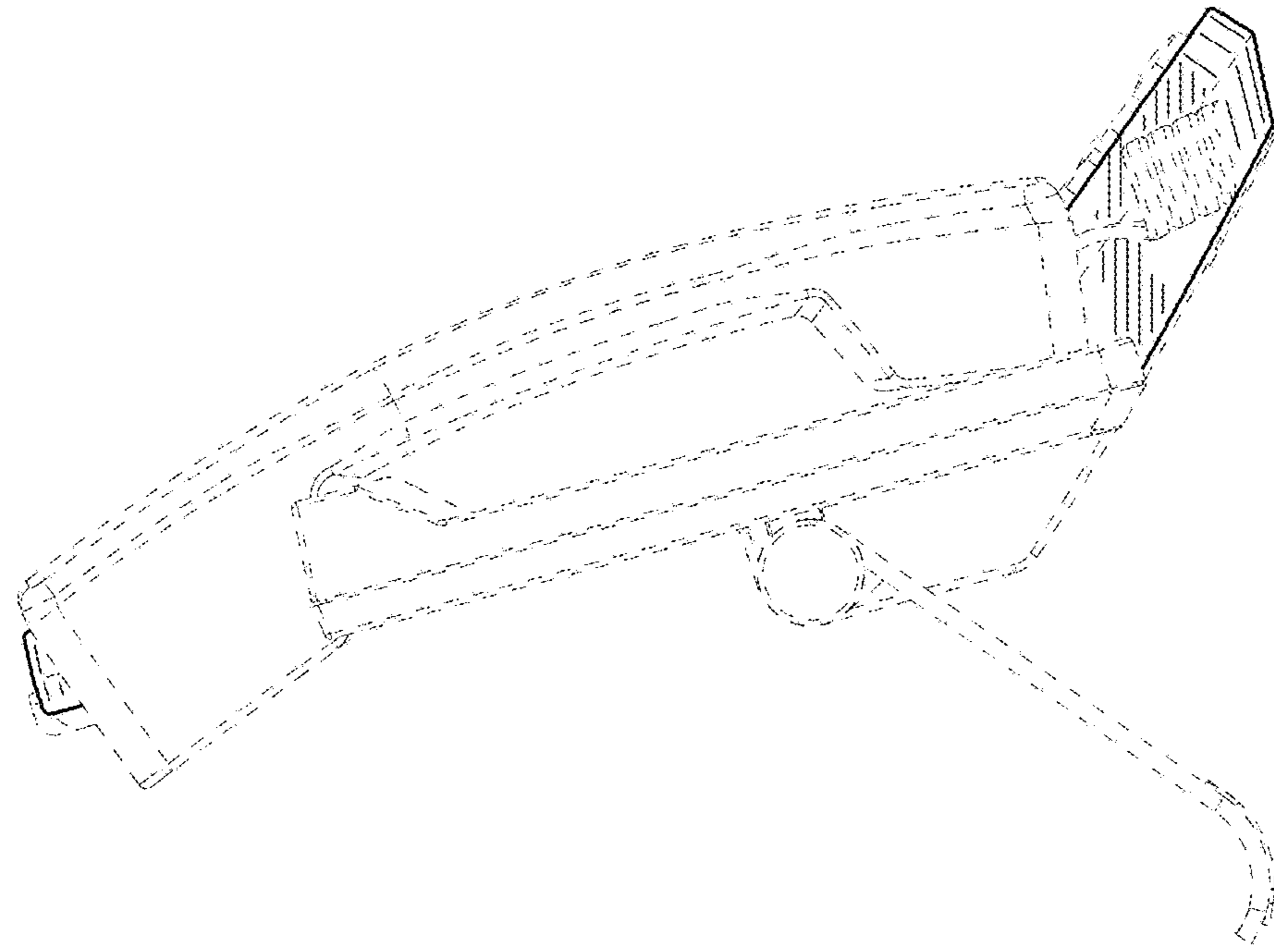


FIG. 4

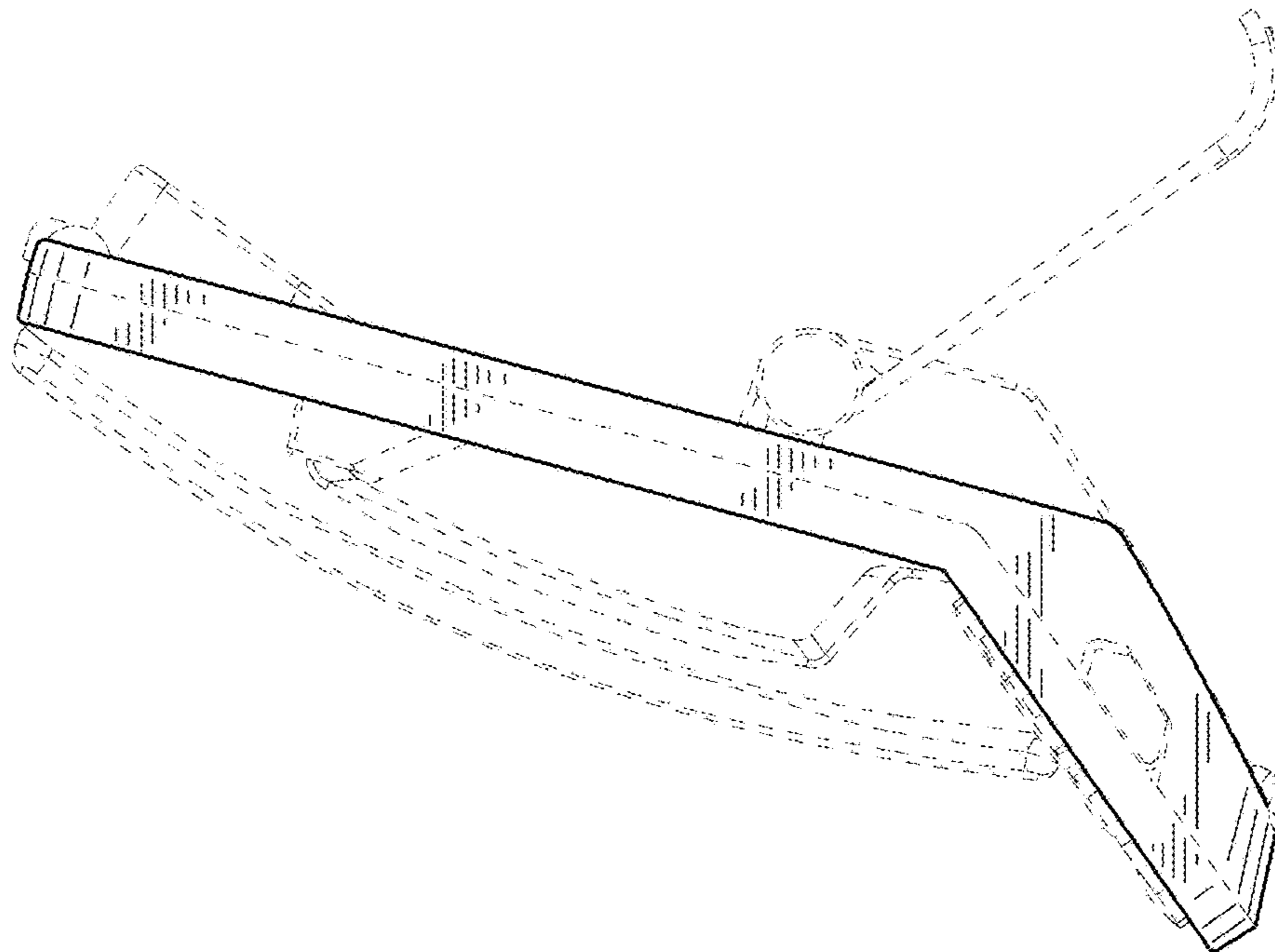


FIG. 3

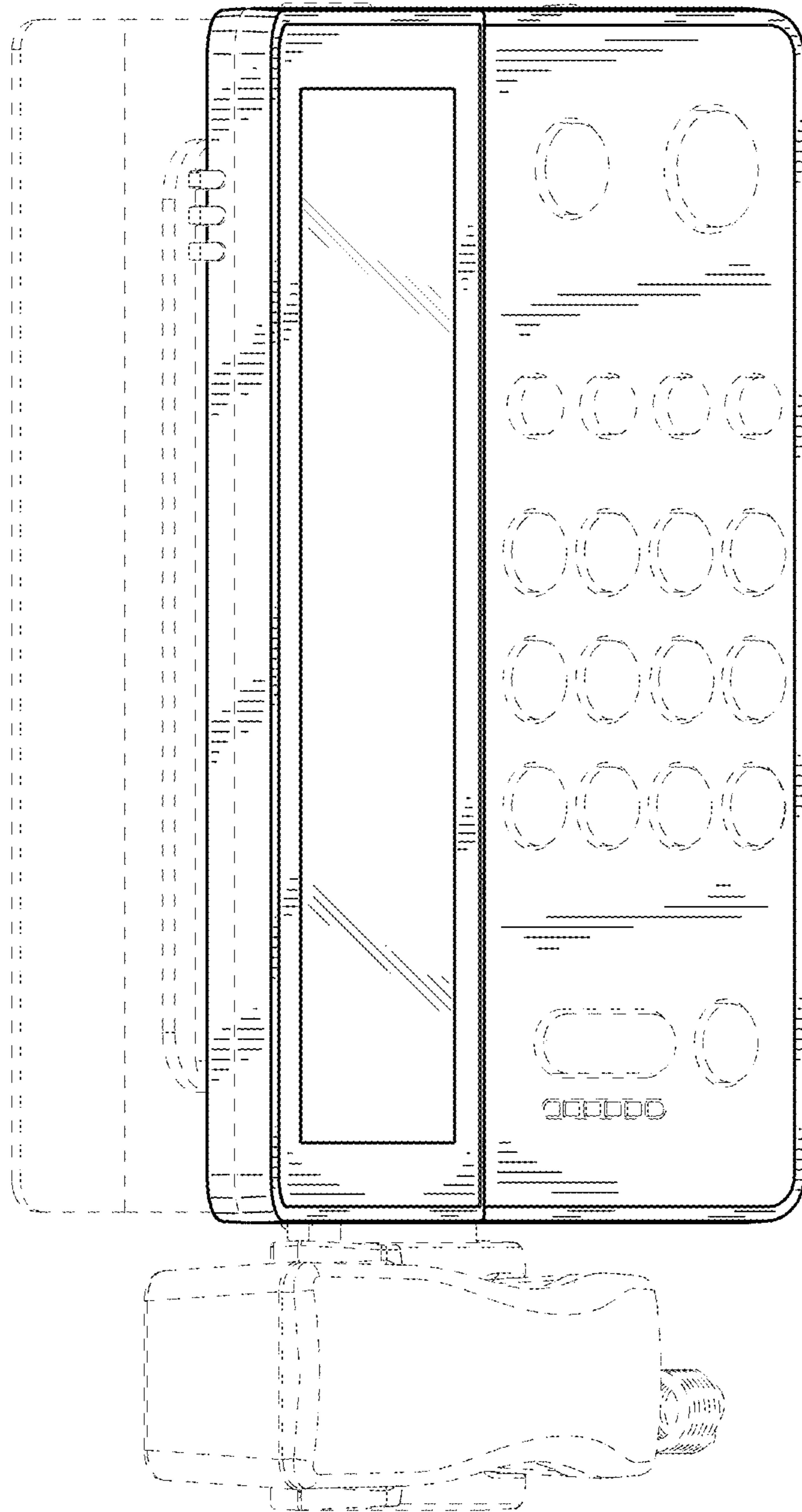


FIG. 5

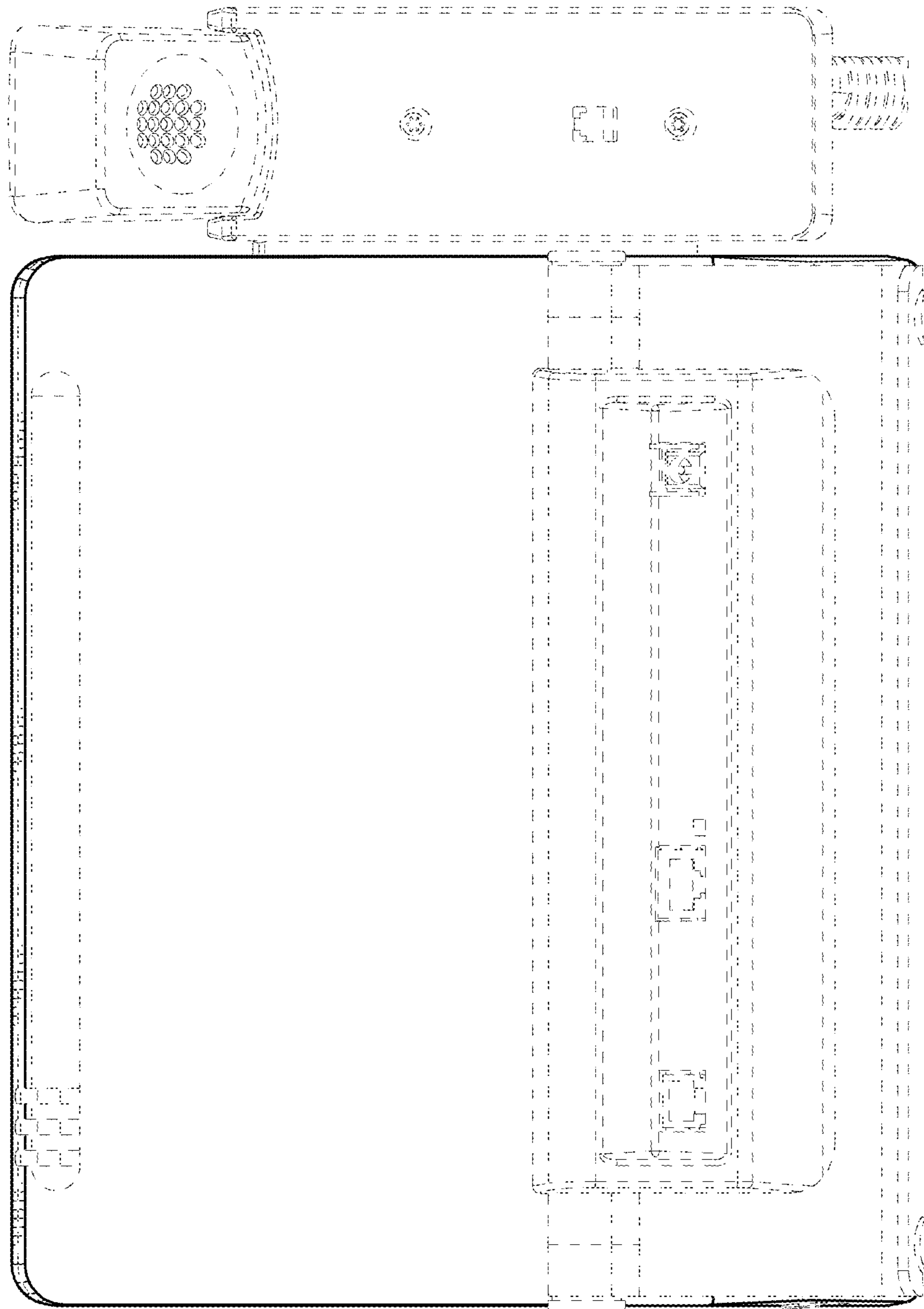


FIG. 6

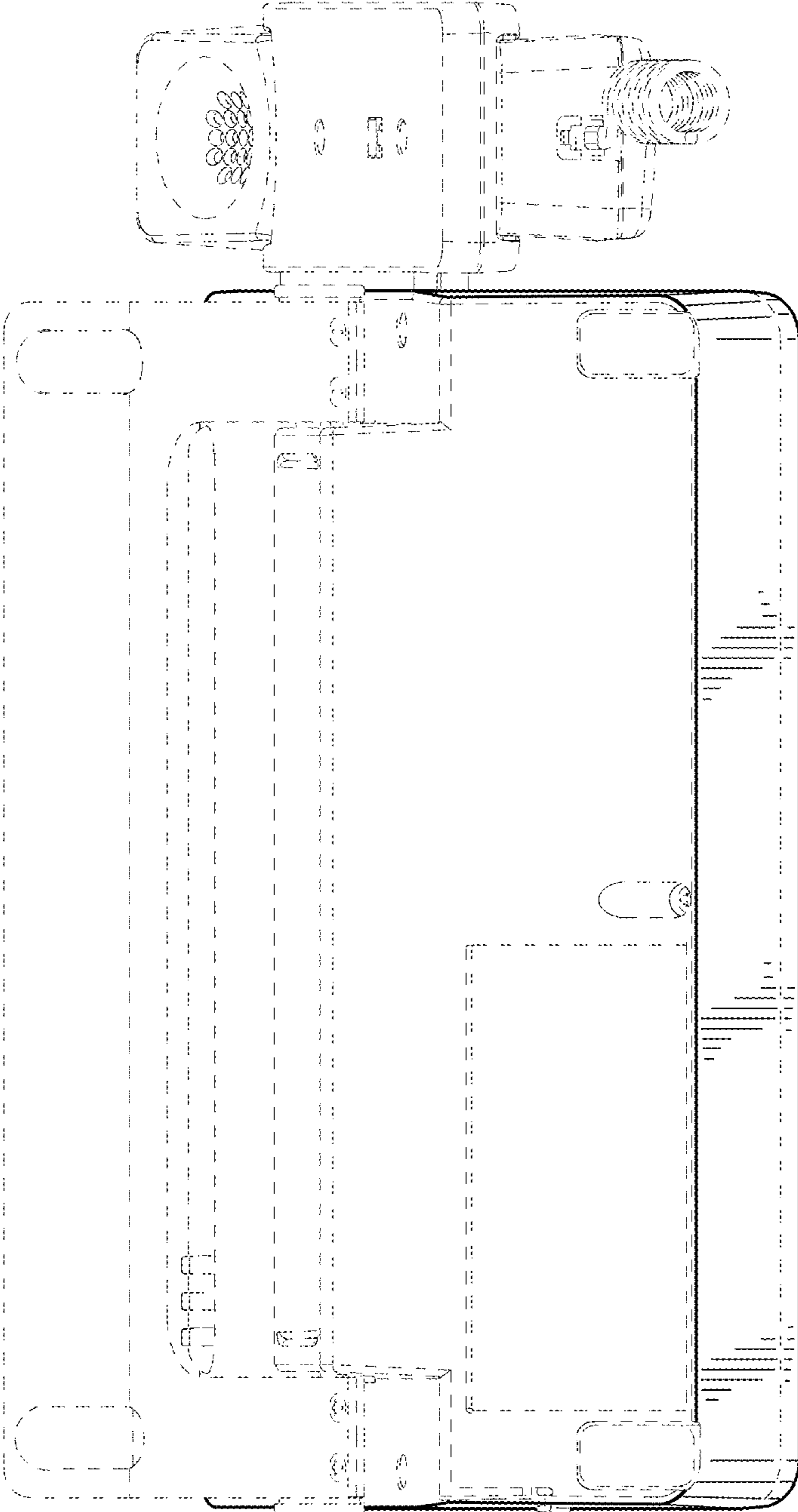


FIG. 7