



US00D772833S

(12) **United States Design Patent**
Han et al.

(10) **Patent No.:** **US D772,833 S**

(45) **Date of Patent:** **** Nov. 29, 2016**

(54) **TV RECEIVER**

(71) Applicant: **LG ELECTRONICS INC.**, Seoul (KR)

(72) Inventors: **Youngsoo Han**, Seoul (KR); **Jongho Kim**, Seoul (KR); **Sunha Park**, Seoul (KR); **Youngkyoung Kim**, Seoul (KR); **Nari Lee**, Seoul (KR)

(73) Assignee: **LG ELECTRONICS INC.**, Seoul (KR)

(**) Term: **15 Years**

(21) Appl. No.: **29/551,470**

(22) Filed: **Jan. 13, 2016**

(30) **Foreign Application Priority Data**

Jul. 14, 2015 (KR) 30-2015-0035306

(51) **LOC (10) Cl.** **14-03**

(52) **U.S. Cl.**
USPC **D14/126**

(58) **Field of Classification Search**

USPC D14/125-134, 239, 371, 136, 374-377, D14/440, 450, 448, 336, 342, 159; 312/7.2; 348/836, 838, 180, 184, 325, 739; 248/917-924, 465; 345/104, 133, 156, 345/168, 87, 173; D21/329, 515, 577, 622, D21/333, 433, 448, 452, 450, 331, 505; D10/15, 26; 446/484, 175, 356; D6/477, 479, 300; D20/10, 19, 39; D16/203, 241; 160/24
CPC .. G06F 1/1601; G06F 1/1643; G06F 1/1652; G06F 1/1647; G06F 3/0412; H05K 5/0004; H05K 5/0017; H05K 5/02; H05K 5/0217; H04N 13/0459

See application file for complete search history.

(56) **References Cited**

U.S. PATENT DOCUMENTS

D540,310 S * 4/2007 Yuyama D14/214
D582,867 S * 12/2008 Song D14/126
D677,637 S * 3/2013 Kubota D14/126
D678,274 S * 3/2013 Chiu D14/371

(Continued)

Primary Examiner — Raphael Barkai

(74) *Attorney, Agent, or Firm* — Birch, Stewart, Kolasch & Birch, LLP

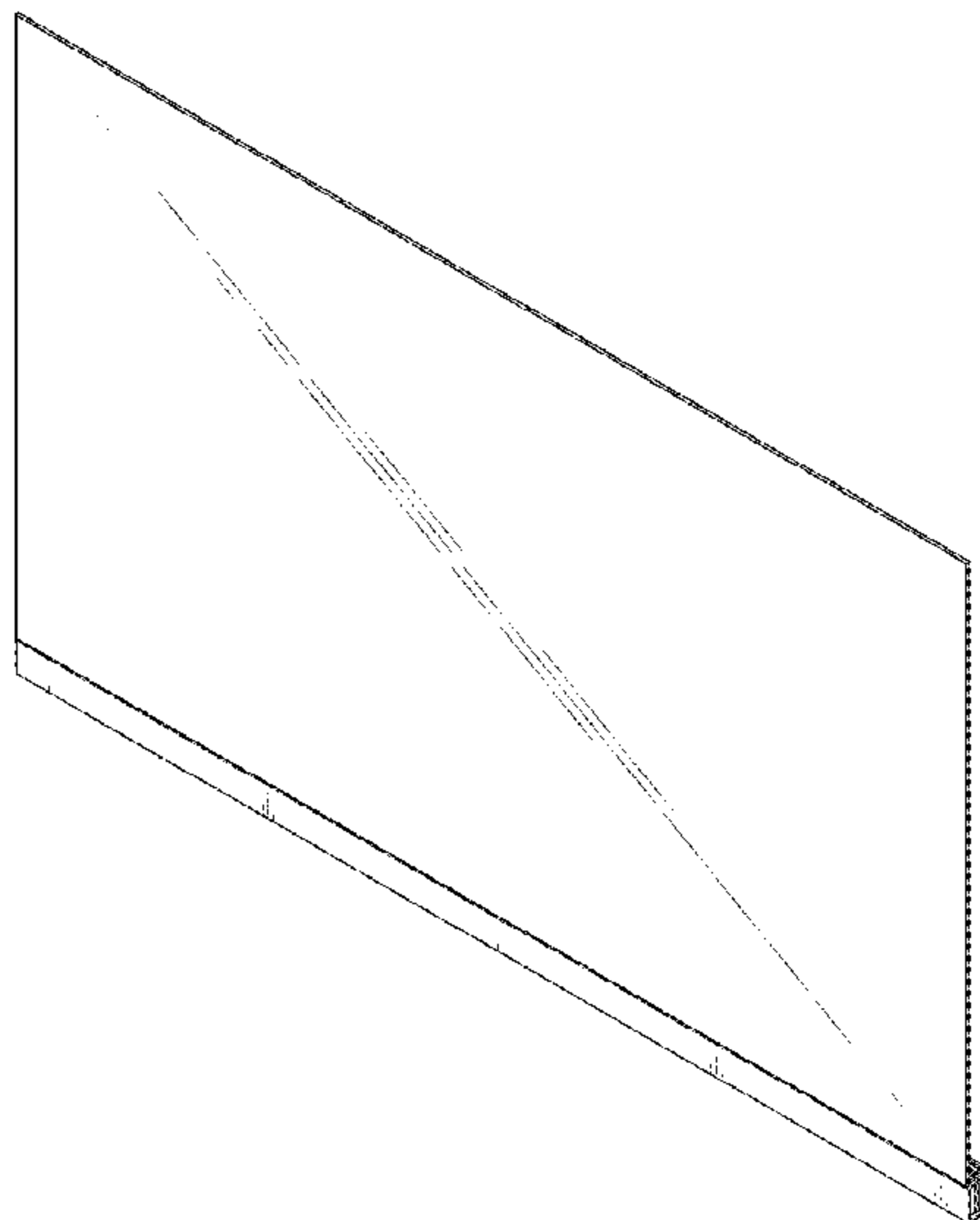
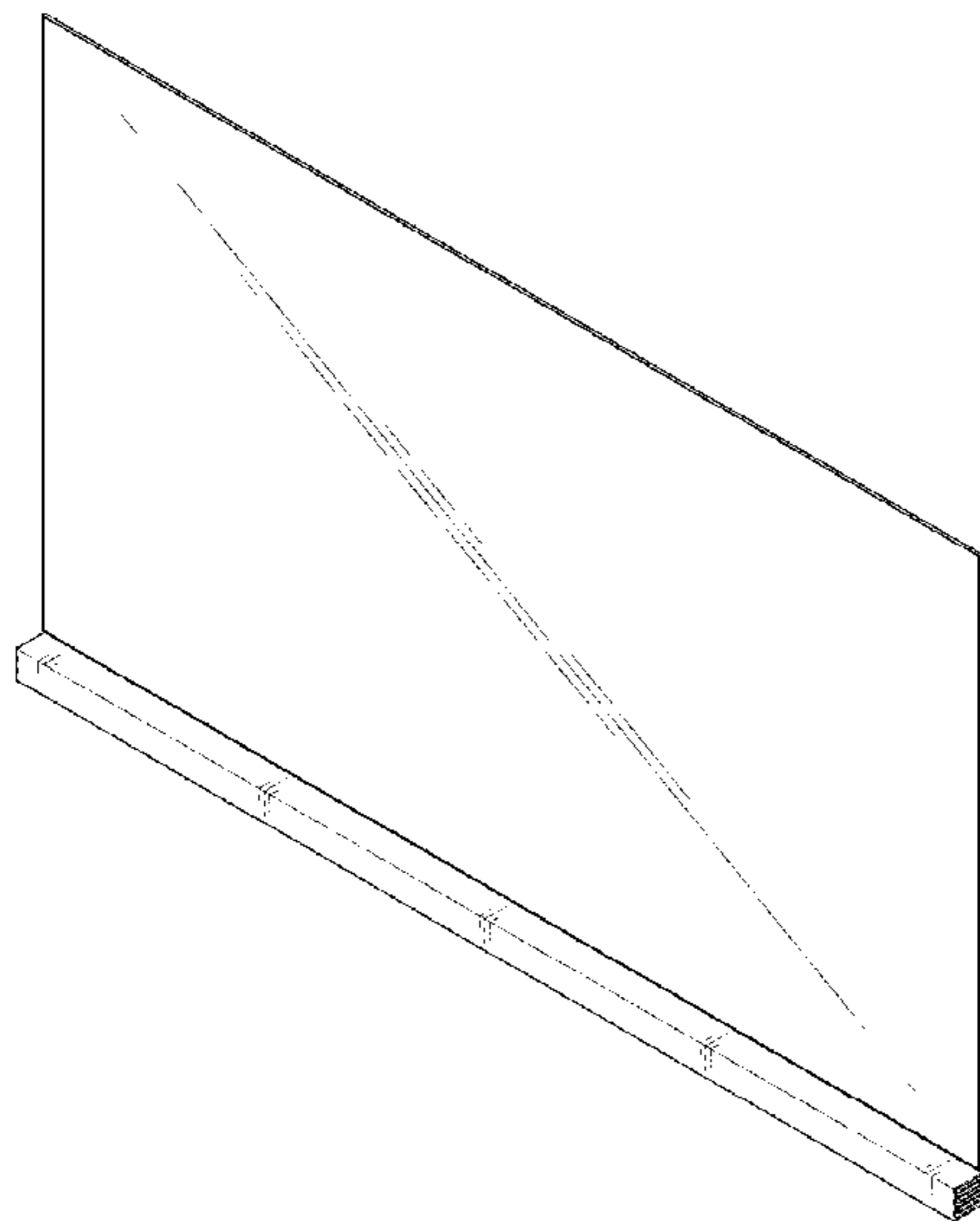
(57) **CLAIM**

The ornamental design for a TV receiver, as shown and described.

DESCRIPTION

FIG. 1 is a front, right side, perspective view of a TV receiver showing our new design as a stand type; FIG. 2 is a front view thereof as a stand type; FIG. 3 is a rear view thereof as a stand type; FIG. 4 is a left side view thereof as a stand type; FIG. 5 is a right side view thereof as a stand type; FIG. 6 is a top view thereof as a stand type; FIG. 7 is a bottom view thereof as a stand type; FIG. 8 is a front, right side, perspective view in a use state thereof as a wall mounted type; FIG. 9 is a front view in a use state thereof as a wall mounted type; FIG. 10 is a rear view in a use state thereof as a wall mounted type; FIG. 11 is a left side view in a use state thereof as a wall mounted type; FIG. 12 is a right side view in a use state thereof as a wall mounted type; FIG. 13 is a top view in a use state thereof as a wall mounted type; and, FIG. 14 is a bottom view in a use state thereof as a wall mounted type.

1 Claim, 8 Drawing Sheets



(56)

References Cited

U.S. PATENT DOCUMENTS

D688,231 S * 8/2013 Nishii D14/214
D715,756 S * 10/2014 Lim D14/126
D722,300 S * 2/2015 Won D14/126
D728,499 S * 5/2015 Park D14/126

D733,081 S * 6/2015 Won D14/126
D755,140 S * 5/2016 Kim D14/126
D755,747 S * 5/2016 Park D14/126
D761,222 S * 7/2016 Yoo D14/126
D763,238 S * 8/2016 Kim D14/126

* cited by examiner

FIG. 1

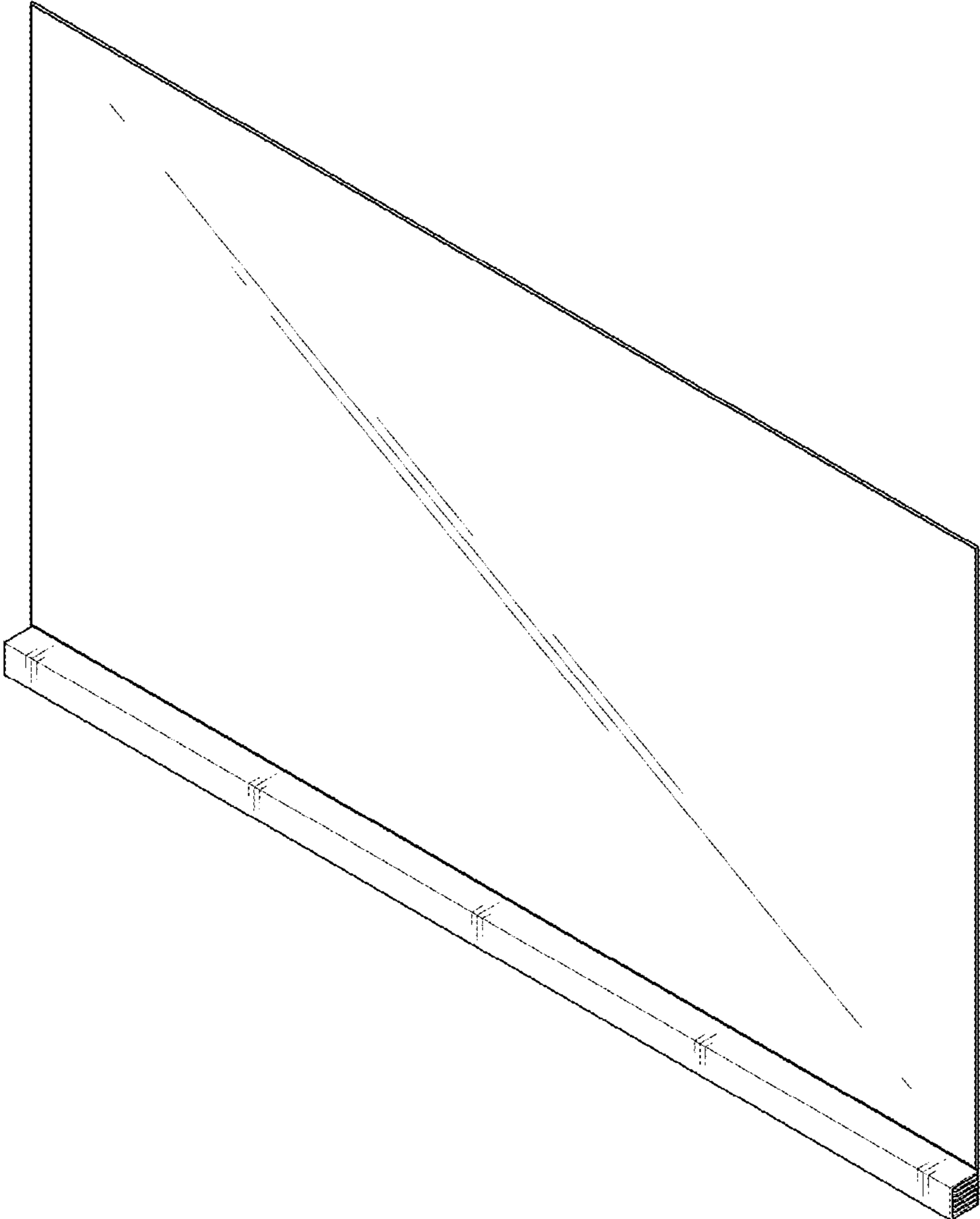


FIG. 2

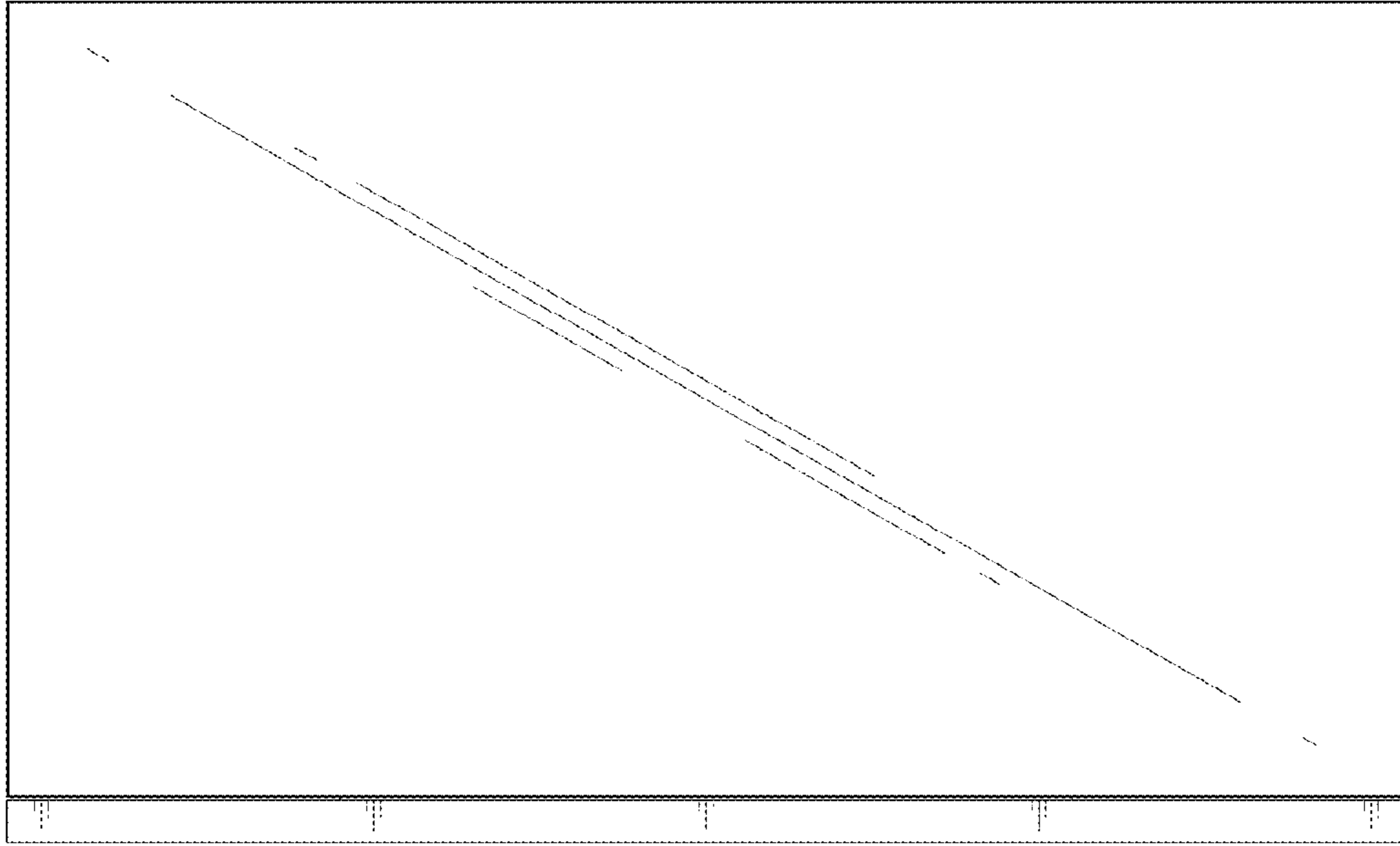


FIG. 3

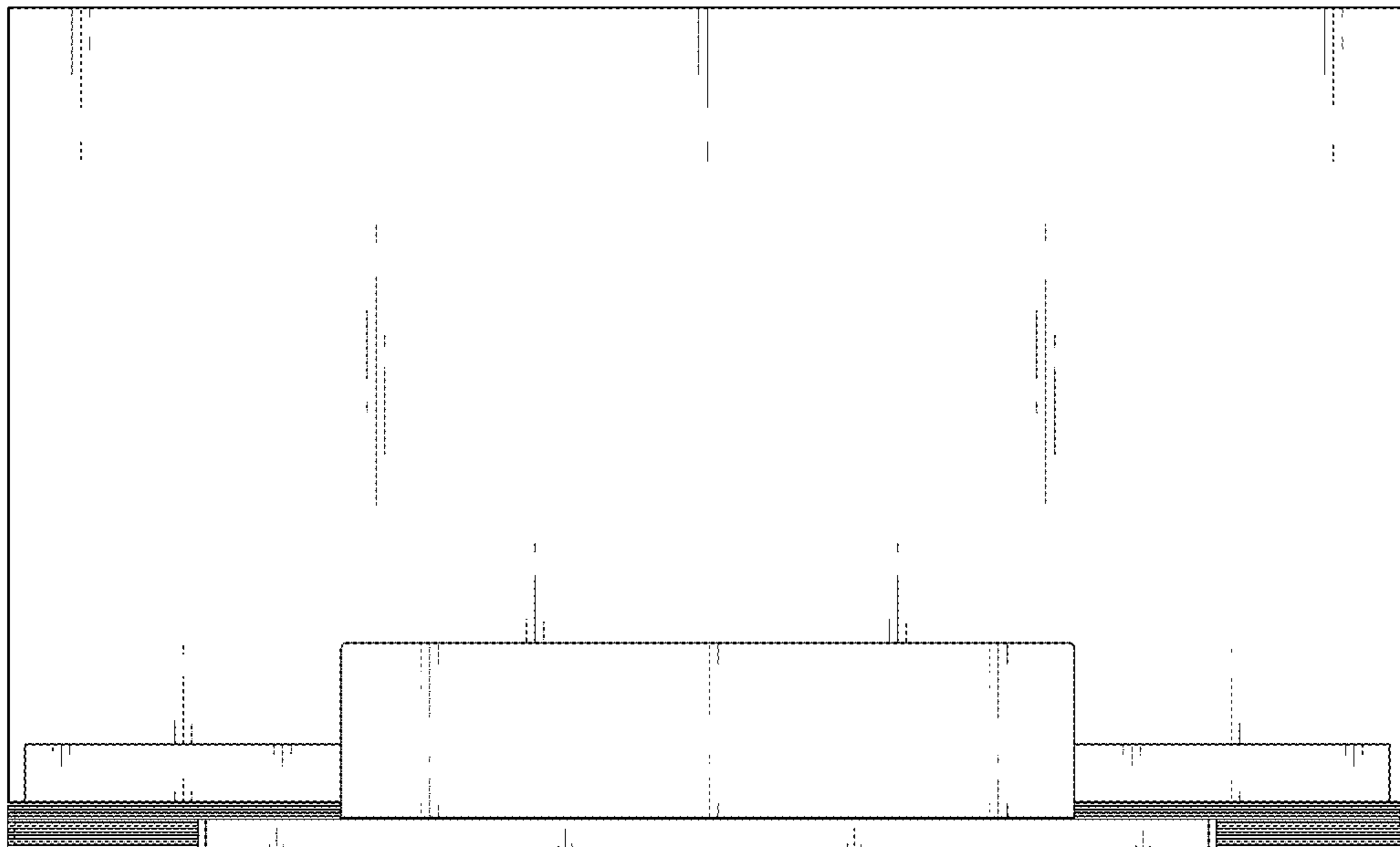


FIG. 4

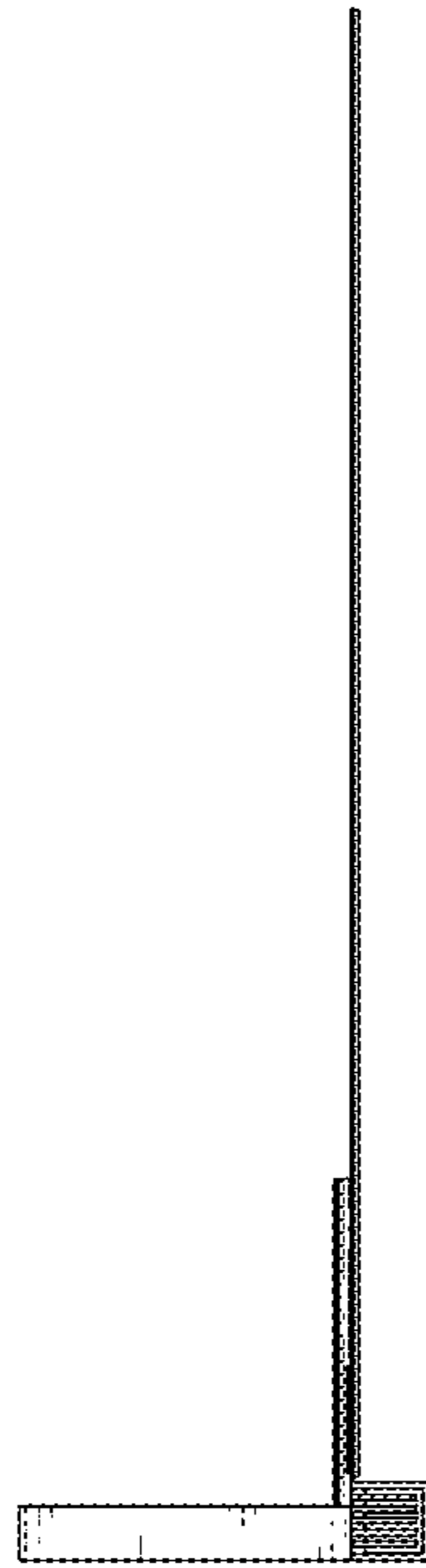


FIG. 5

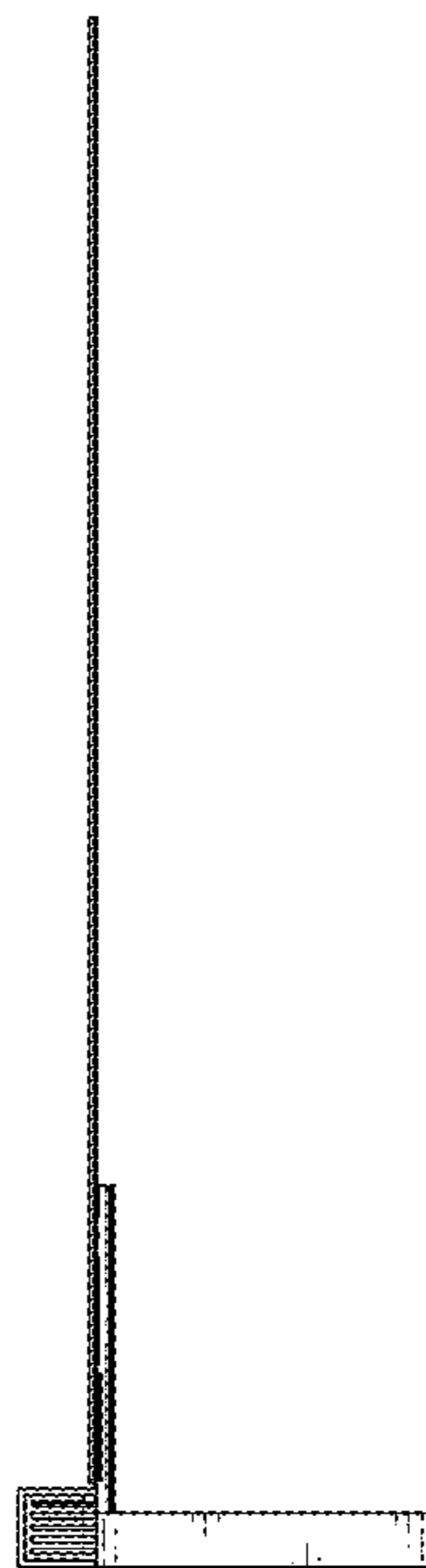


FIG. 6

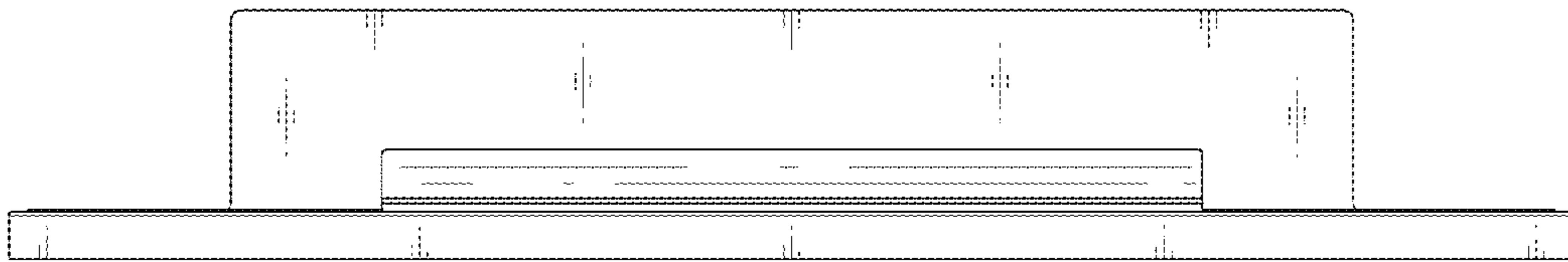


FIG. 7

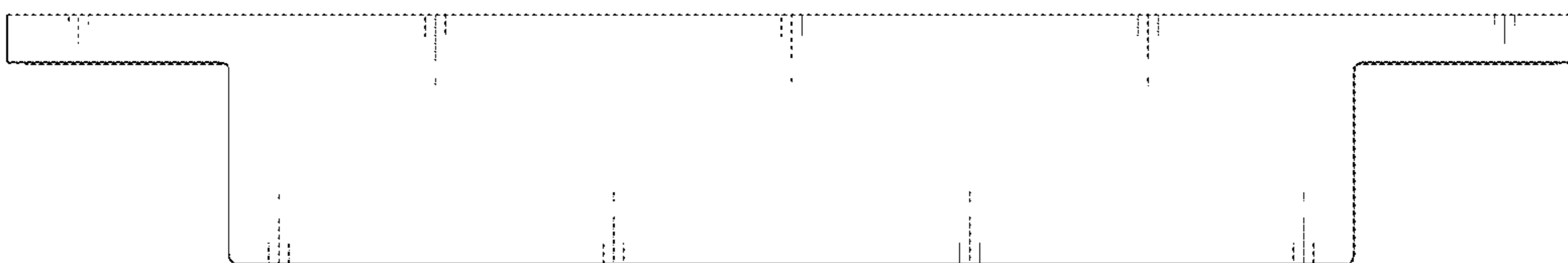


FIG. 8

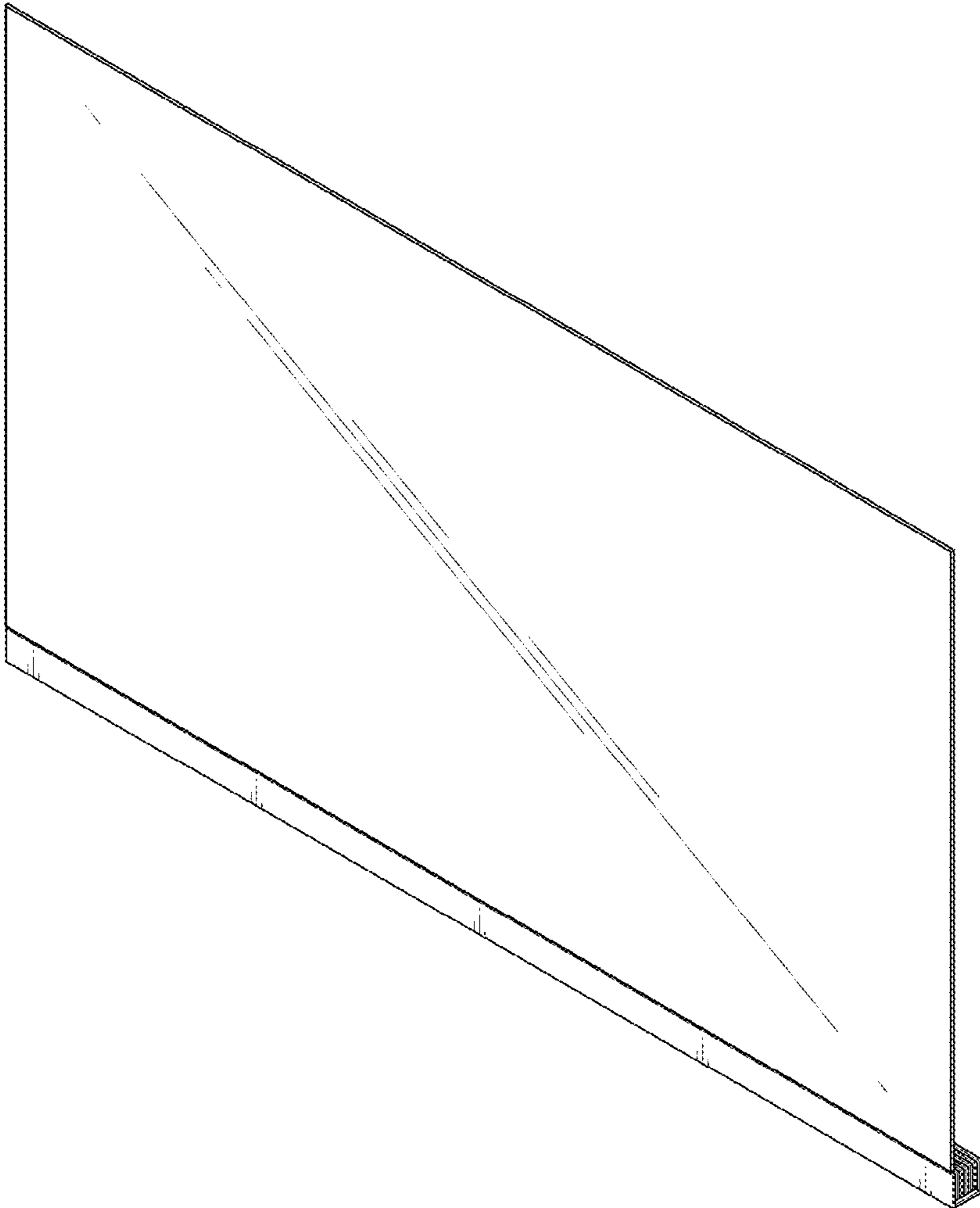


FIG. 9

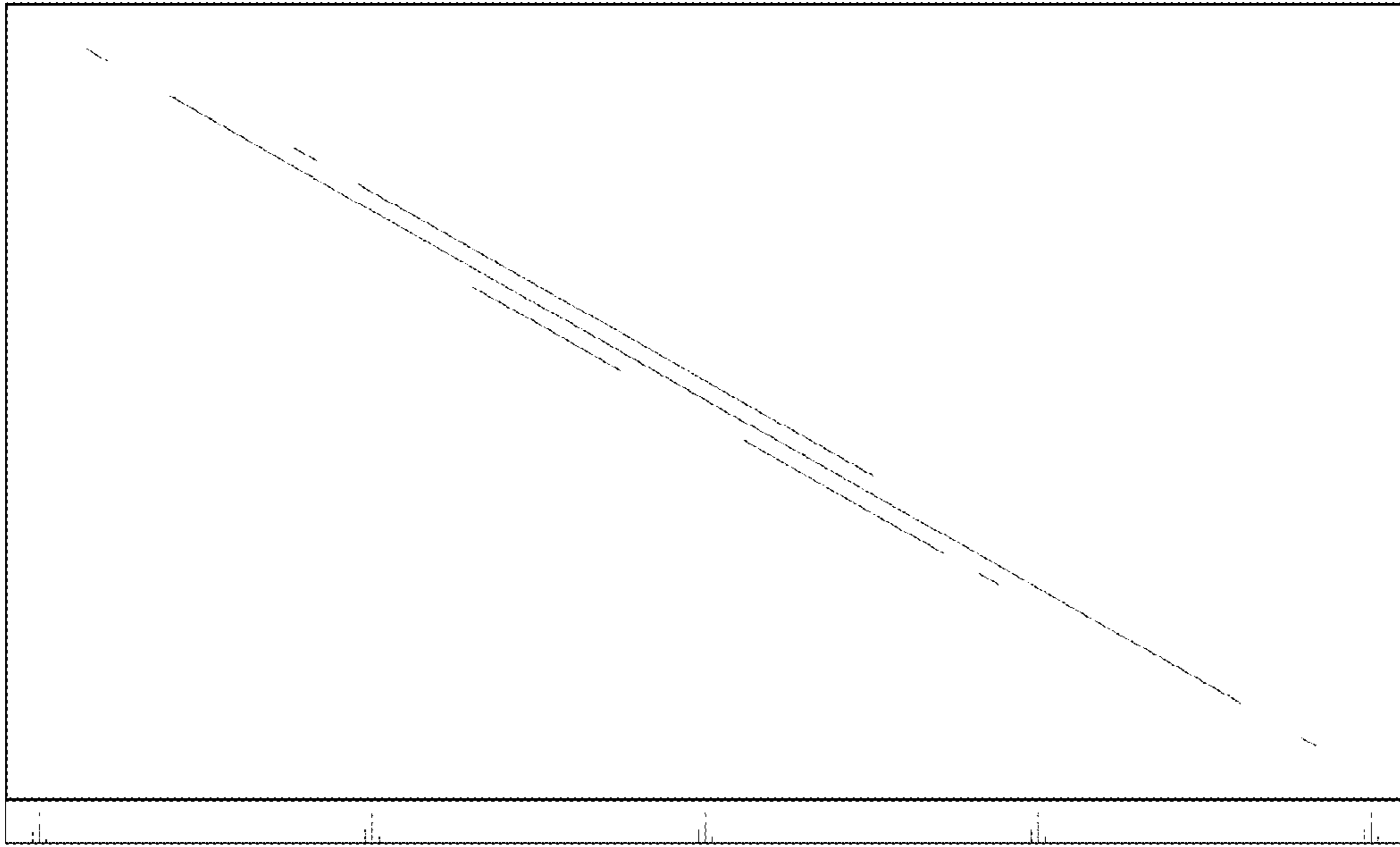


FIG. 10

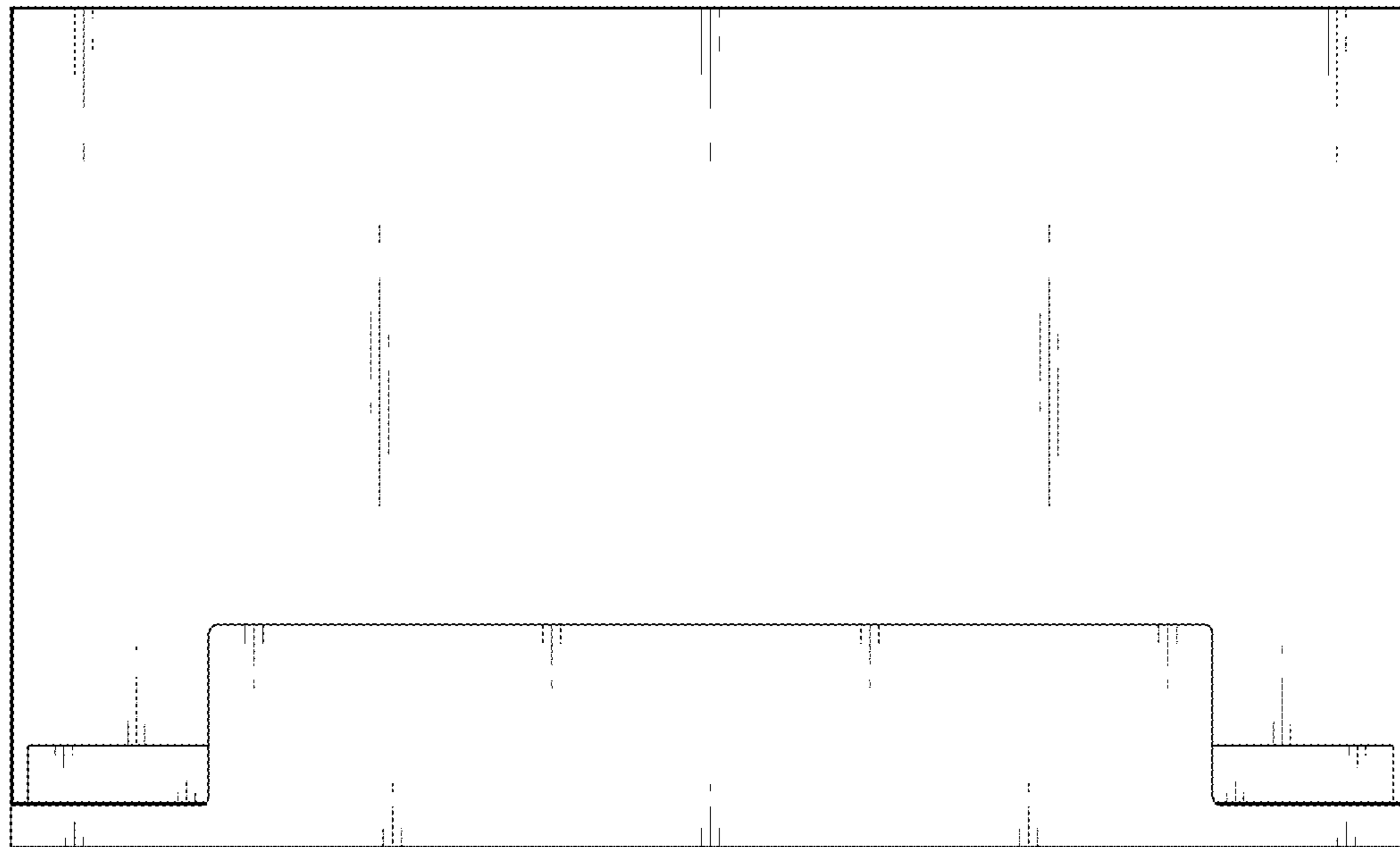


FIG. 11



FIG. 12



FIG. 13

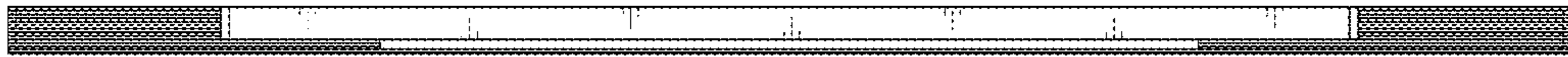


FIG. 14

