



US00D772831S

(12) **United States Design Patent** (10) **Patent No.:** **US D772,831 S**  
**Han et al.** (45) **Date of Patent:** **\*\* Nov. 29, 2016**

(54) **TV RECEIVER**

H05K 5/0017; H05K 5/02; H05K 5/0217;  
H04N 13/0459

(71) Applicant: **LG ELECTRONICS INC.**, Seoul  
(KR)

See application file for complete search history.

(72) Inventors: **Youngsoo Han**, Seoul (KR); **Jongho Kim**, Seoul (KR); **Sunha Park**, Seoul (KR); **Youngkyoung Kim**, Seoul (KR); **Nari Lee**, Seoul (KR)

(56) **References Cited**

U.S. PATENT DOCUMENTS

(73) Assignee: **LG ELECTRONICS INC.**, Seoul  
(KR)

D540,310	S	*	4/2007	Yuyama	.....	D14/214
D582,867	S	*	12/2008	Song	.....	D14/126
D677,637	S	*	3/2013	Kubota	.....	D14/126
D678,274	S	*	3/2013	Chiu	.....	D14/371
D688,231	S	*	8/2013	Nishii	.....	D14/214
D715,756	S	*	10/2014	Lim	.....	D14/126
D722,300	S	*	2/2015	Won	.....	D14/126
D728,499	S	*	5/2015	Park	.....	D14/126
D733,081	S	*	6/2015	Won	.....	D14/126
D755,140	S	*	5/2016	Kim	.....	D14/126
D755,747	S	*	5/2016	Park	.....	D14/126
D761,222	S	*	7/2016	Yoo	.....	D14/126
D763,238	S	*	8/2016	Kim	.....	D14/126

(\*\*) Term: **15 Years**

(21) Appl. No.: **29/551,462**

(22) Filed: **Jan. 13, 2016**

\* cited by examiner

(30) **Foreign Application Priority Data**

Jul. 14, 2015 (KR) ..... 30-2015-0035307

*Primary Examiner* — Raphael Barkai

(51) **LOC (10) Cl.** ..... **14-03**

(74) *Attorney, Agent, or Firm* — Birch, Stewart, Kolasch & Birch, LLP

(52) **U.S. Cl.**  
USPC ..... **D14/126**

(57) **CLAIM**

The ornamental design for a TV receiver, as shown and described.

(58) **Field of Classification Search**  
USPC ..... D14/125-134, 239, 371, 136, 374-377,  
D14/440, 450, 448, 336, 342, 159; 312/7.2;  
348/836, 838, 180, 184, 325, 739;  
248/917-924, 465; 345/104, 133, 156,  
345/168, 87, 173; D21/329, 515, 577, 622,  
D21/333, 433, 448, 452, 450, 331, 505;  
D10/15, 26; 446/484, 175, 356;  
D6/477, 479, 300; D20/10, 19, 39;  
D16/203, 241; 160/24  
CPC .. G06F 1/1601; G06F 1/1643; G06F 1/1652;  
G06F 1/1647; G06F 3/0412; H05K 5/0004;

**DESCRIPTION**

FIG. 1 is a front, right side, perspective view of a TV receiver showing our new design;  
FIG. 2 is a front view thereof;  
FIG. 3 is a rear view thereof;  
FIG. 4 is a left side view thereof;  
FIG. 5 is a right side view thereof;  
FIG. 6 is a top view thereof; and,  
FIG. 7 is a bottom view thereof.

**1 Claim, 4 Drawing Sheets**

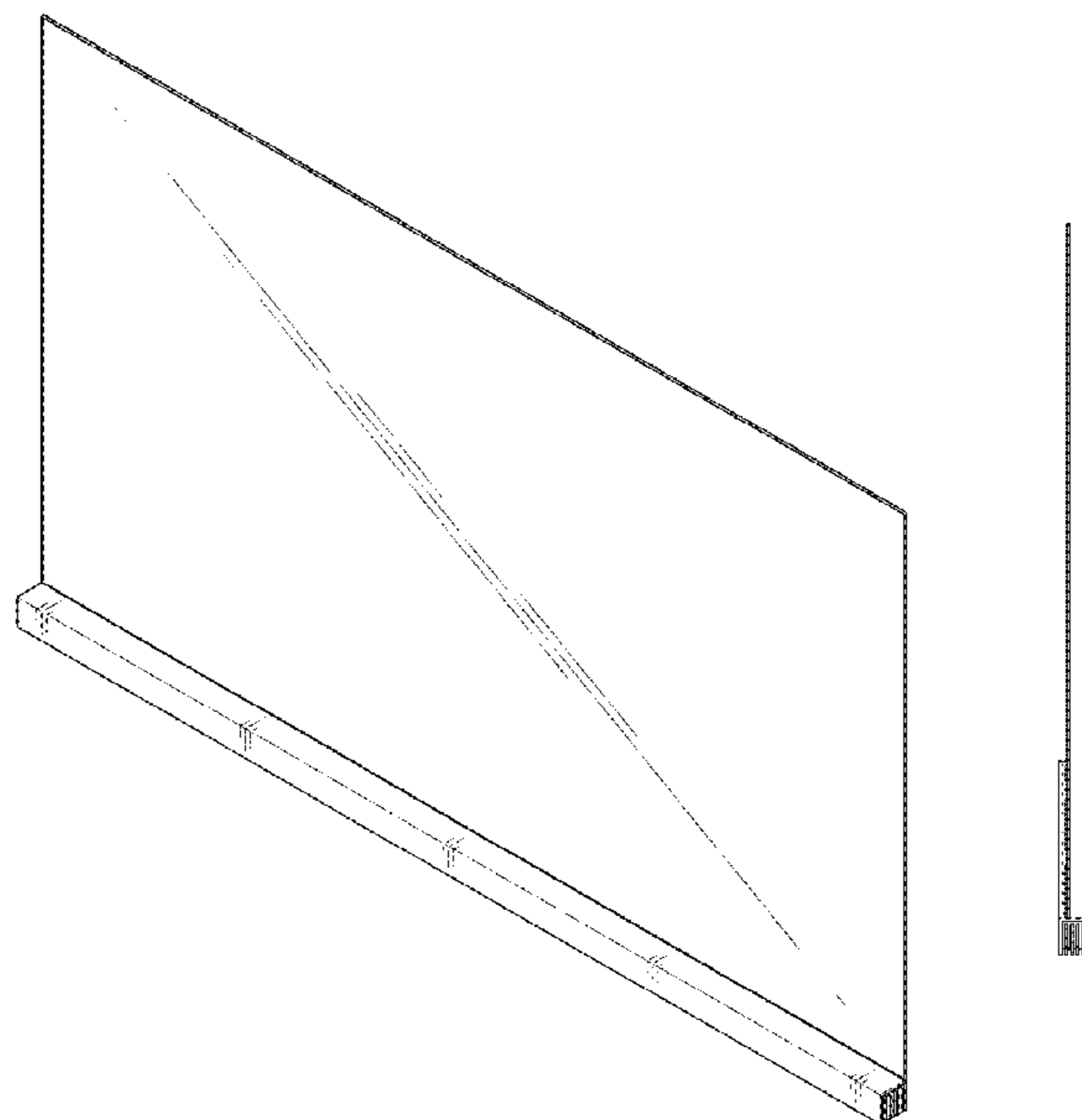


FIG. 1

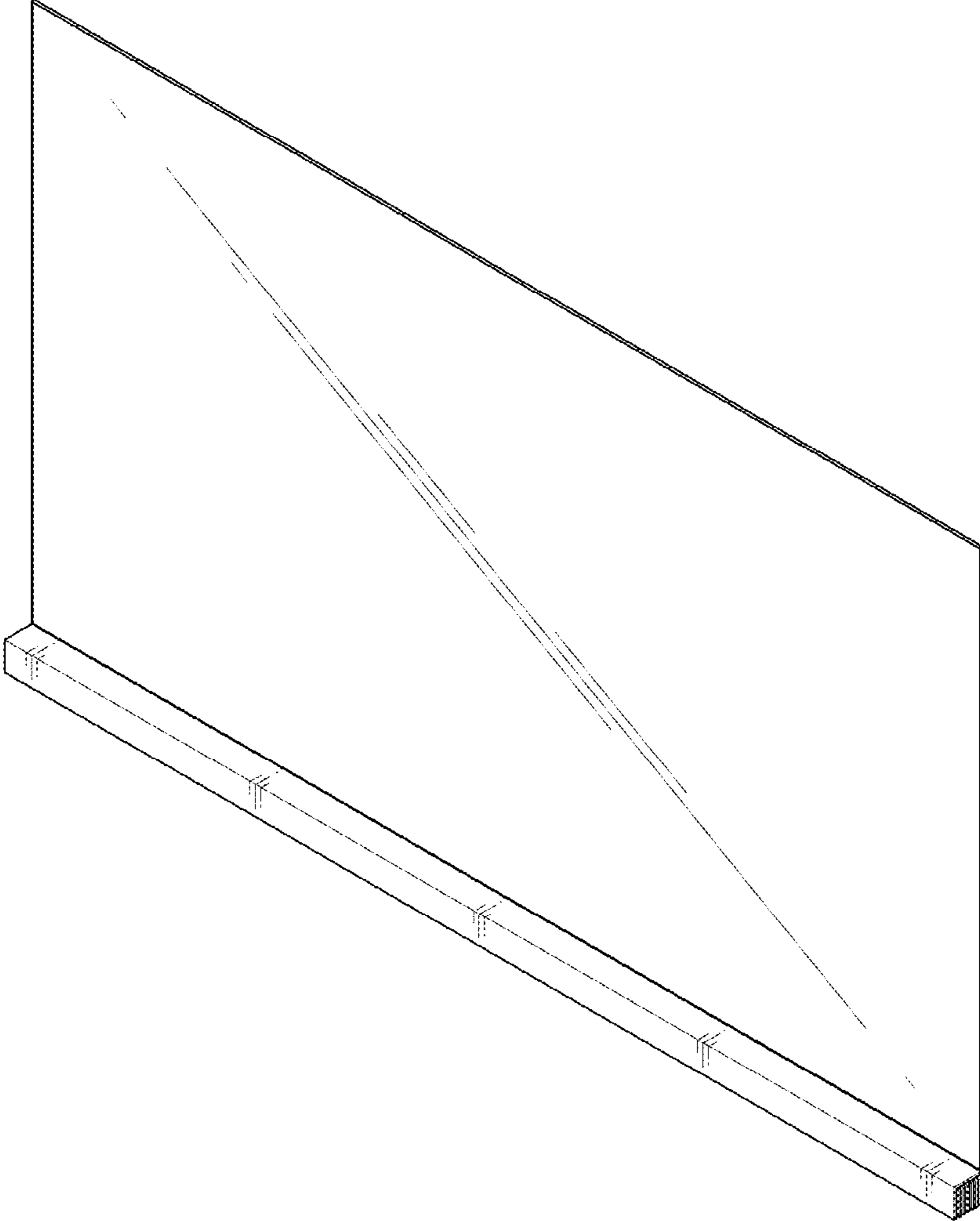


FIG. 2

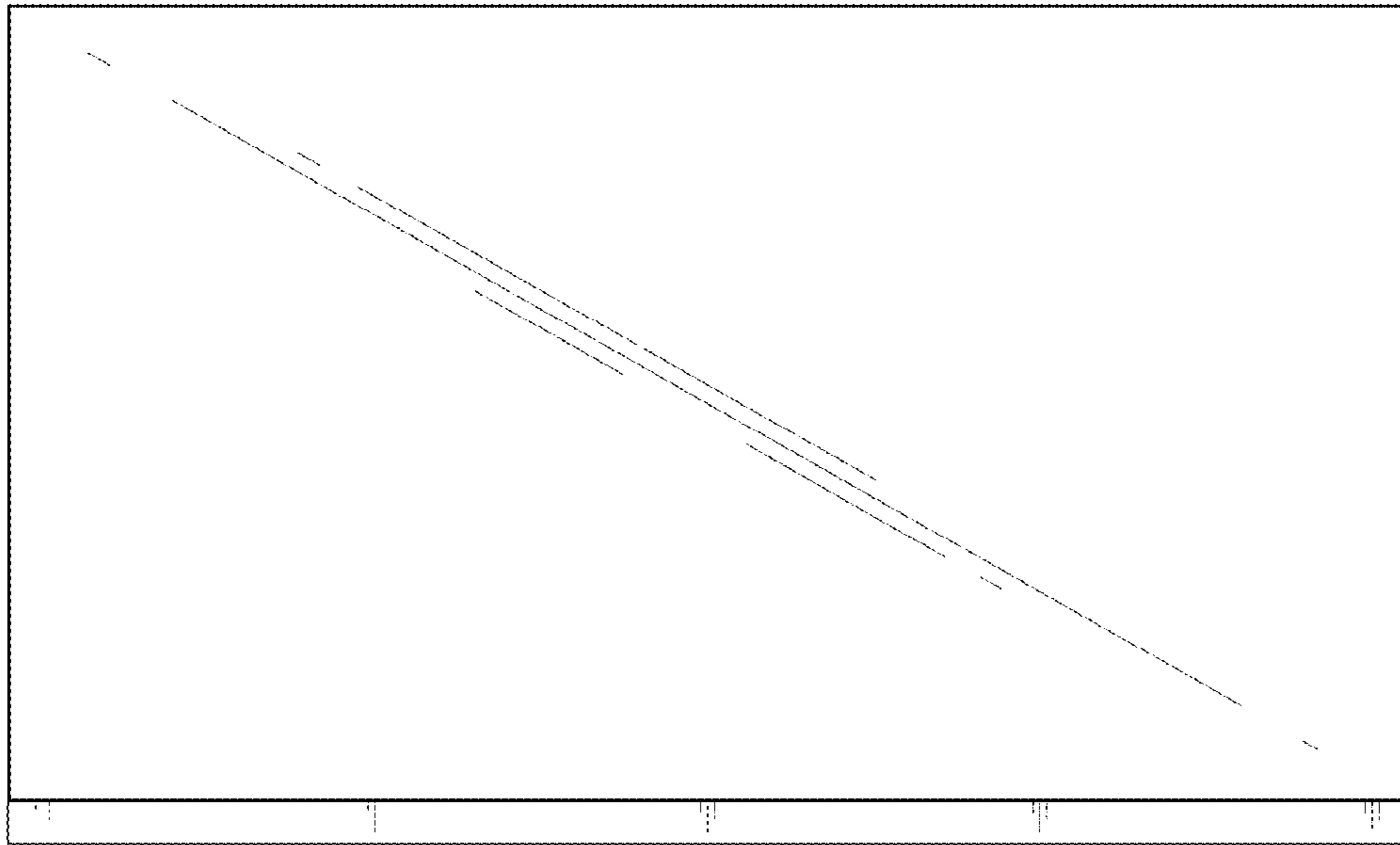


FIG. 3

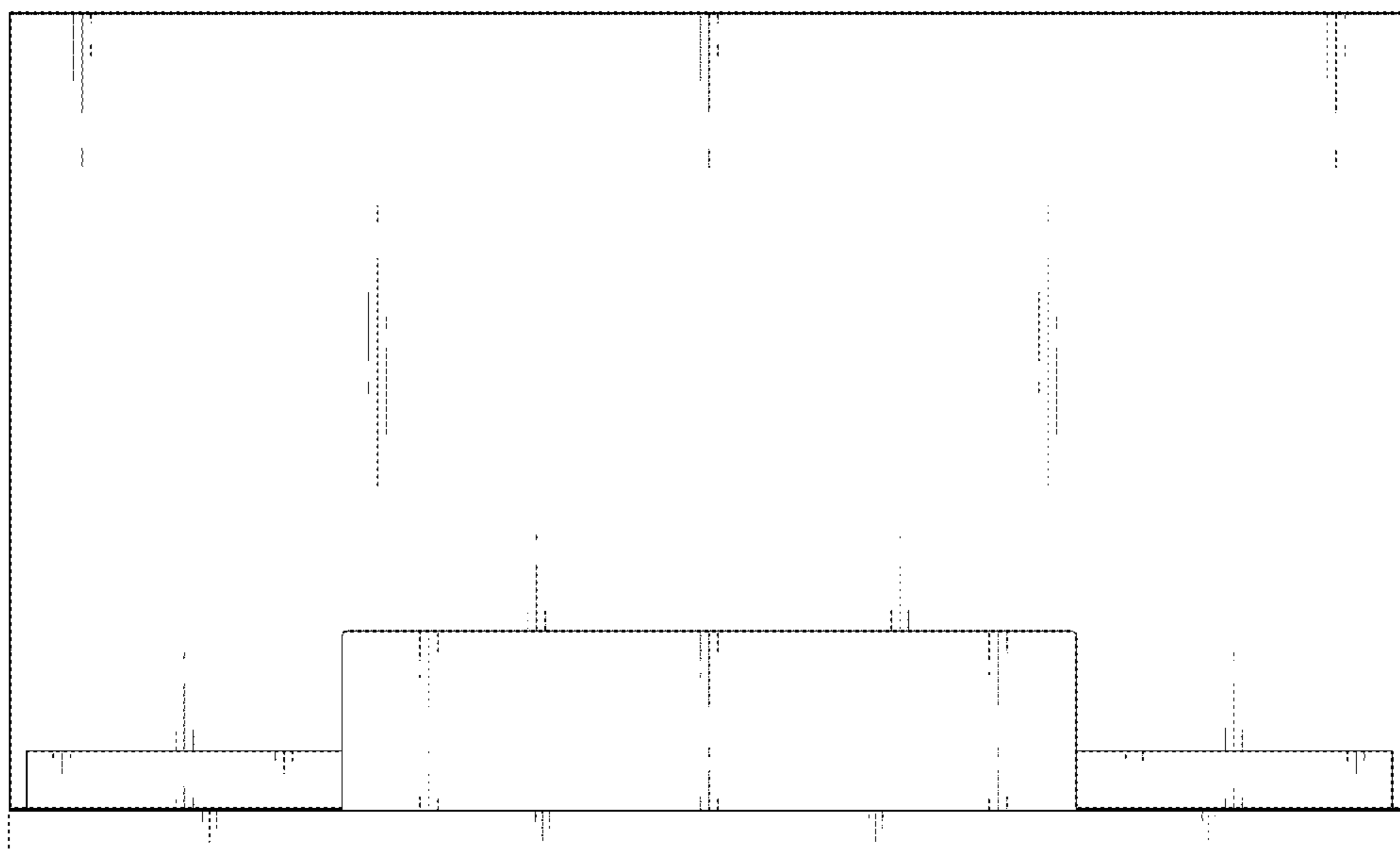


FIG. 4

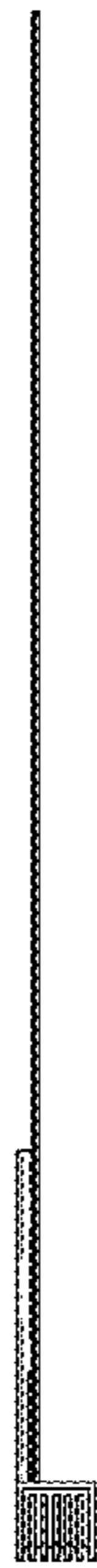


FIG. 5



FIG. 6

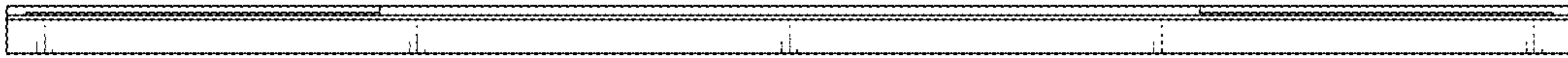


FIG. 7

