



US00D772826S

(12) **United States Design Patent** (10) **Patent No.:** **US D772,826 S**
Seo et al. (45) **Date of Patent:** **** Nov. 29, 2016**

(54) **TV RECEIVER**

(71) Applicant: **LG ELECTRONICS INC.**, Seoul (KR)

(72) Inventors: **Minji Seo**, Seoul (KR); **Byungmu Huh**, Seoul (KR)

(73) Assignee: **LG ELECTRONICS INC.**, Seoul (KR)

(**) Term: **15 Years**

(21) Appl. No.: **29/528,922**

(22) Filed: **Jun. 2, 2015**

(30) **Foreign Application Priority Data**

Dec. 2, 2014 (KR) 30-2014-0058578

(51) **LOC (10) Cl.** **14-03**

(52) **U.S. Cl.**
USPC **D14/126**

(58) **Field of Classification Search**
USPC D14/125-134, 239, 371, 136, 374-377,
D14/440, 450, 448, 336, 342, 159; 312/7.2;
348/836, 838, 180, 184, 325, 739;
248/917-924, 465; 345/104, 133, 156,
345/168, 87, 173; D21/329, 515, 577, 622,
D21/333, 433, 448, 452, 450, 331, 505;
D10/15, 26; 446/484, 175, 356;
D6/477, 479, 300; D20/10, 19, 39
CPC . G06F 1/1601; G06F 1/1643; H05K 5/0004;
H05K 5/0017; H05K 5/02; H05K 5/0217;
H04N 13/0459

See application file for complete search history.

(56) **References Cited**

U.S. PATENT DOCUMENTS

D438,848 S * 3/2001 Kita D14/126
D566,069 S * 4/2008 Honda D14/126

D578,495 S * 10/2008 Yokota D14/126
D589,917 S * 4/2009 Kaneko D14/126
D594,428 S * 6/2009 Sun D14/126
D595,249 S * 6/2009 Lee D14/126
D605,151 S * 12/2009 Honda D14/126
D620,904 S * 8/2010 Honda D14/126
D631,023 S * 1/2011 Kim D14/126
D637,571 S * 5/2011 Chiu D14/126
D637,573 S * 5/2011 Lee D14/126
D642,144 S * 7/2011 Ko D14/126
D678,230 S * 3/2013 Yamamizu D14/126
D703,167 S * 4/2014 McManigal D14/126
D731,994 S * 6/2015 Won D14/126
D742,343 S * 11/2015 Moon D14/126
D754,087 S * 4/2016 Ryu D14/126

* cited by examiner

Primary Examiner — Raphael Barkai

(74) *Attorney, Agent, or Firm* — Birch, Stewart, Kolasch & Birch, LLP

(57) **CLAIM**

The ornamental design for a TV receiver, as shown and described.

DESCRIPTION

FIG. 1 is a front, right side, perspective view of a TV receiver showing our new design;
FIG. 2 is a front view thereof;
FIG. 3 is a rear view thereof;
FIG. 4 is a left side view thereof;
FIG. 5 is a right side view thereof;
FIG. 6 is a top view thereof; and,
FIG. 7 is a bottom view thereof.

The broken lines indicate unclaimed portion of the article that form no part of the claimed design.

1 Claim, 4 Drawing Sheets

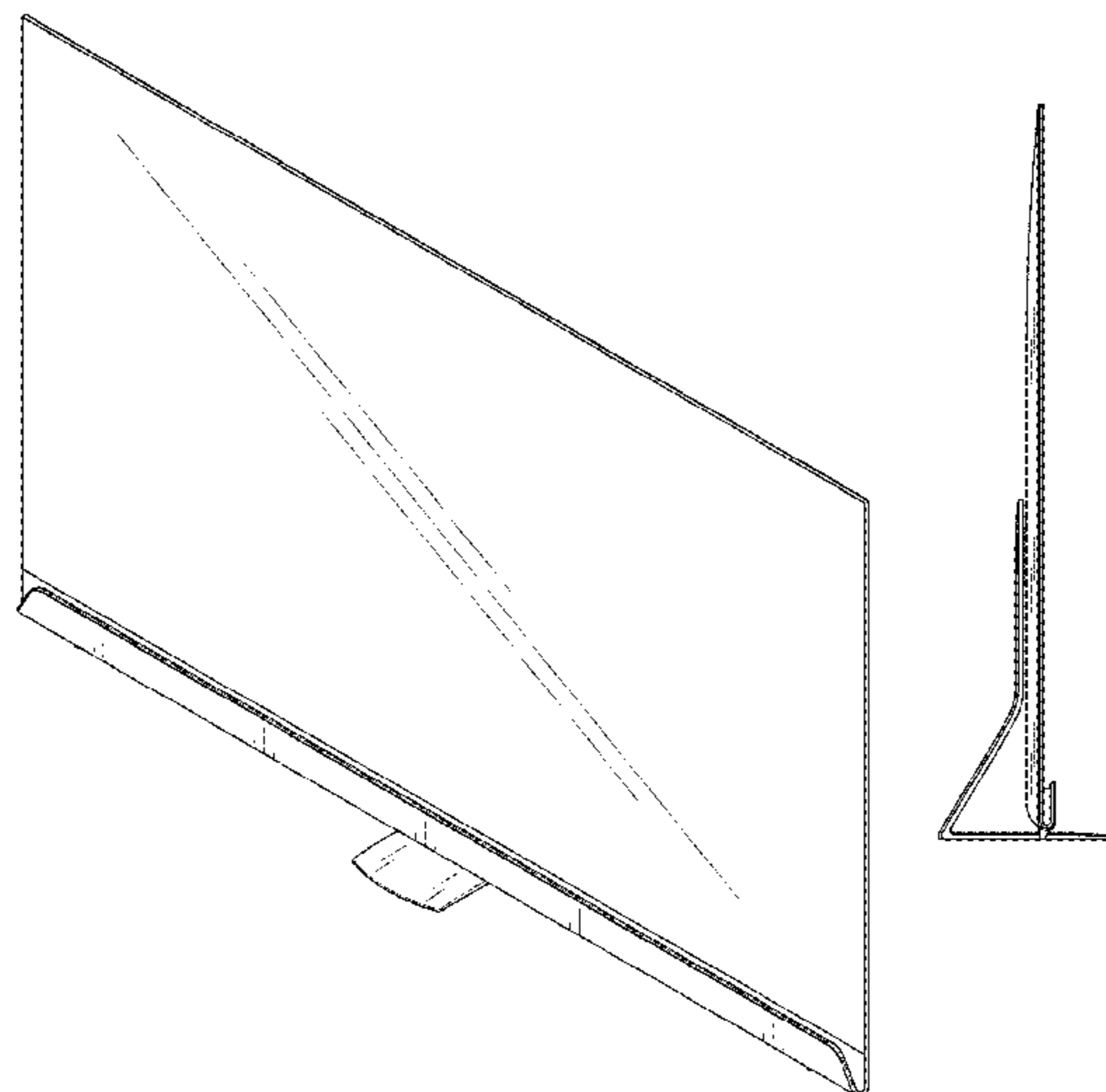


FIG. 1

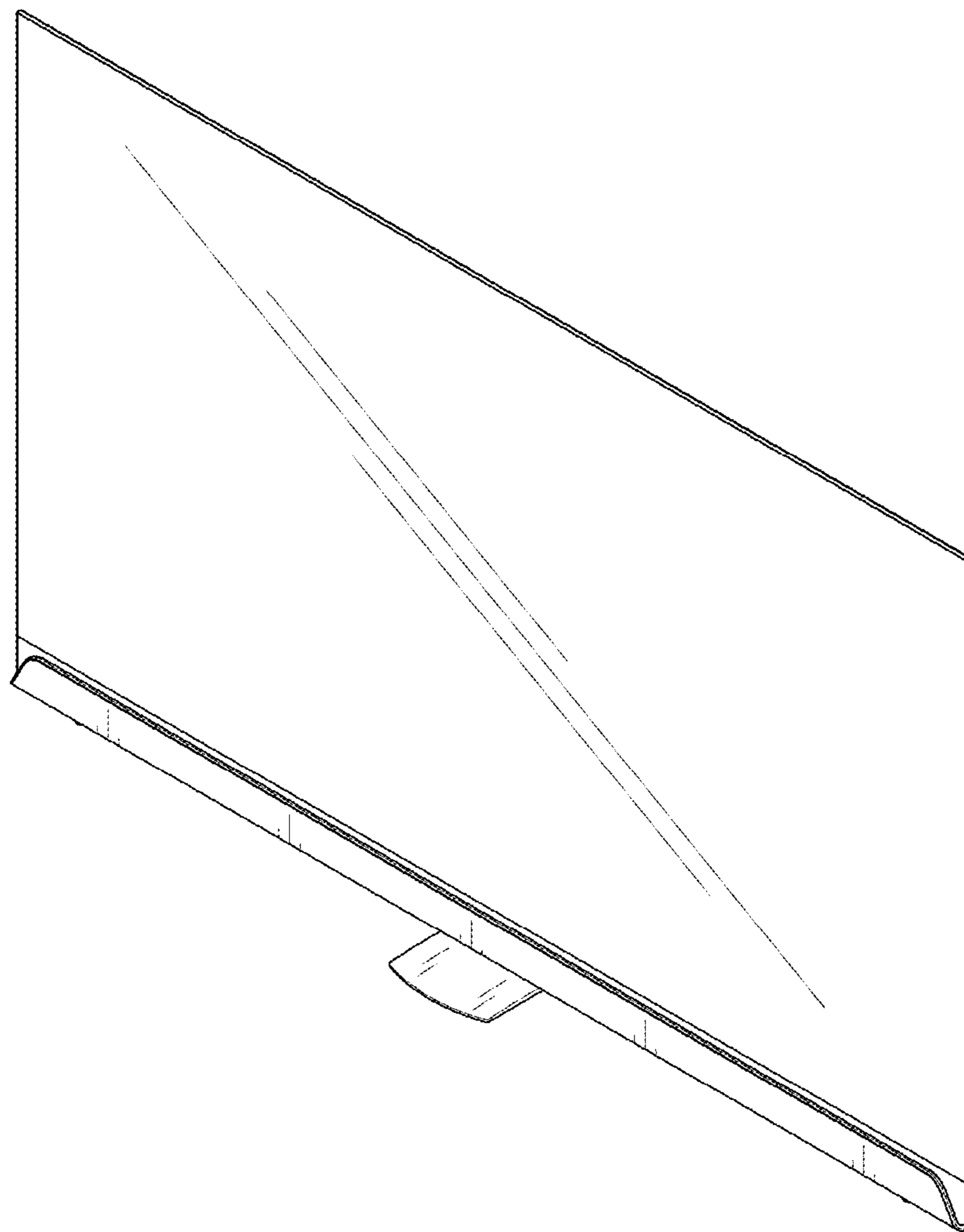


FIG. 2

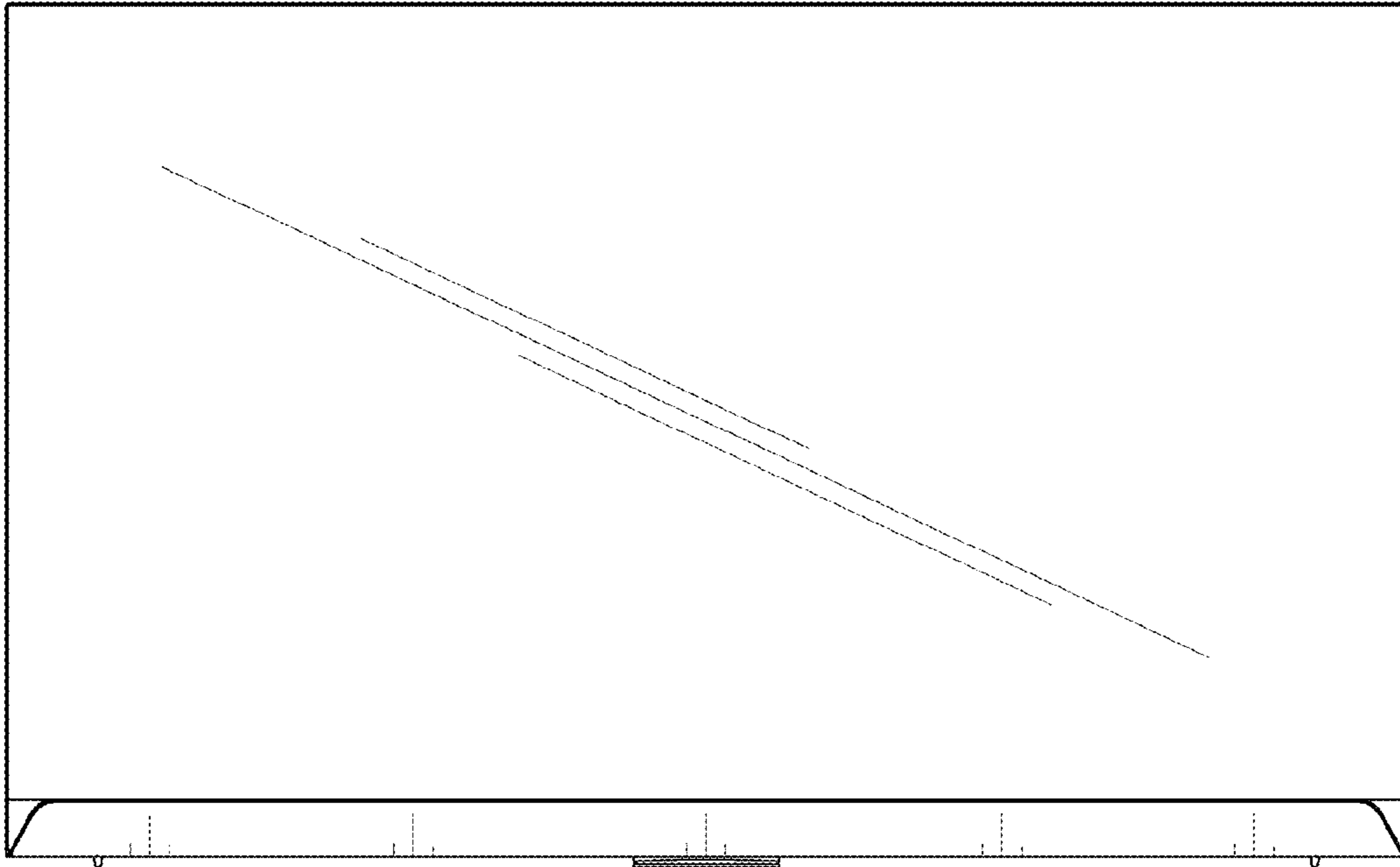


FIG. 3

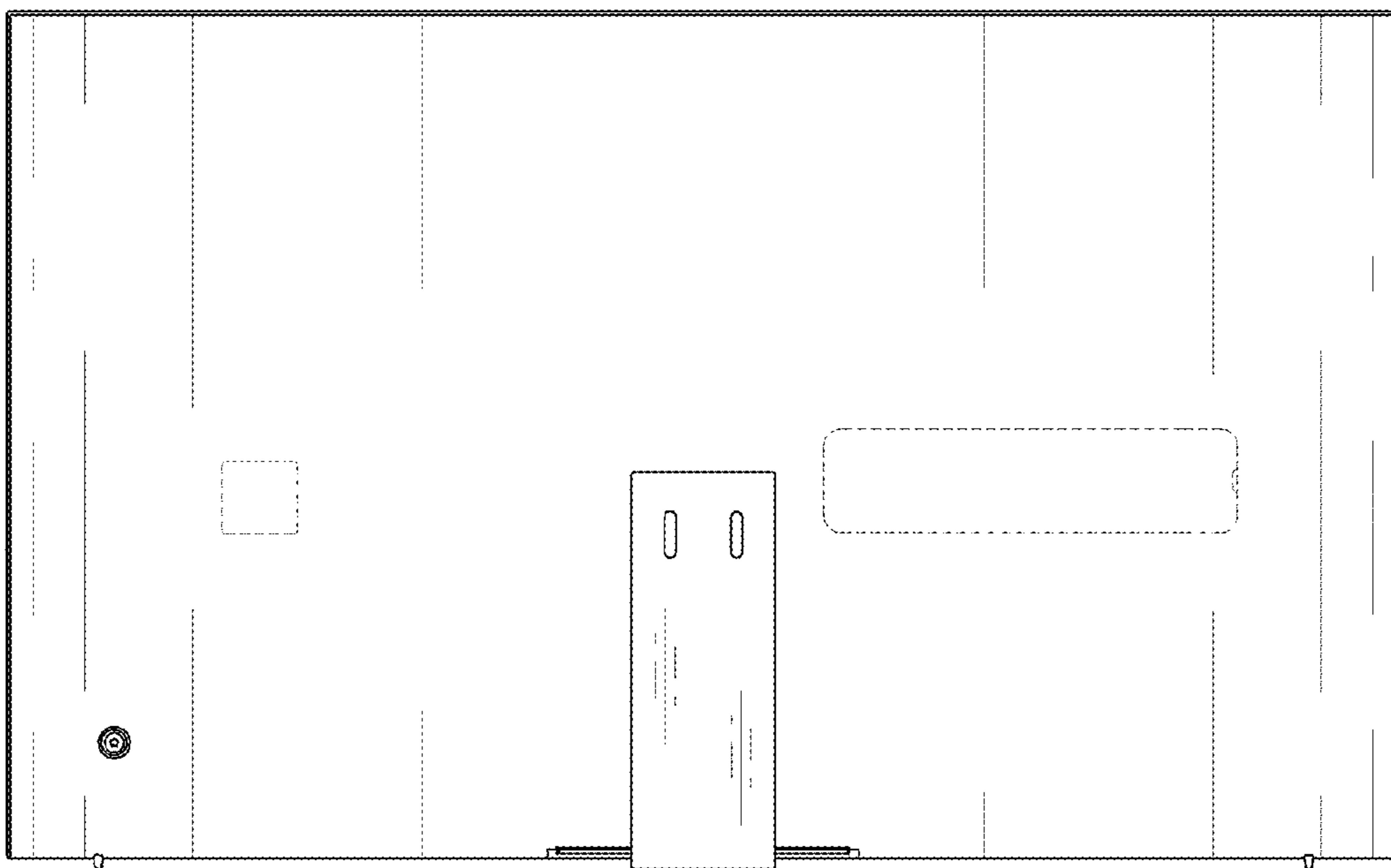


FIG. 4

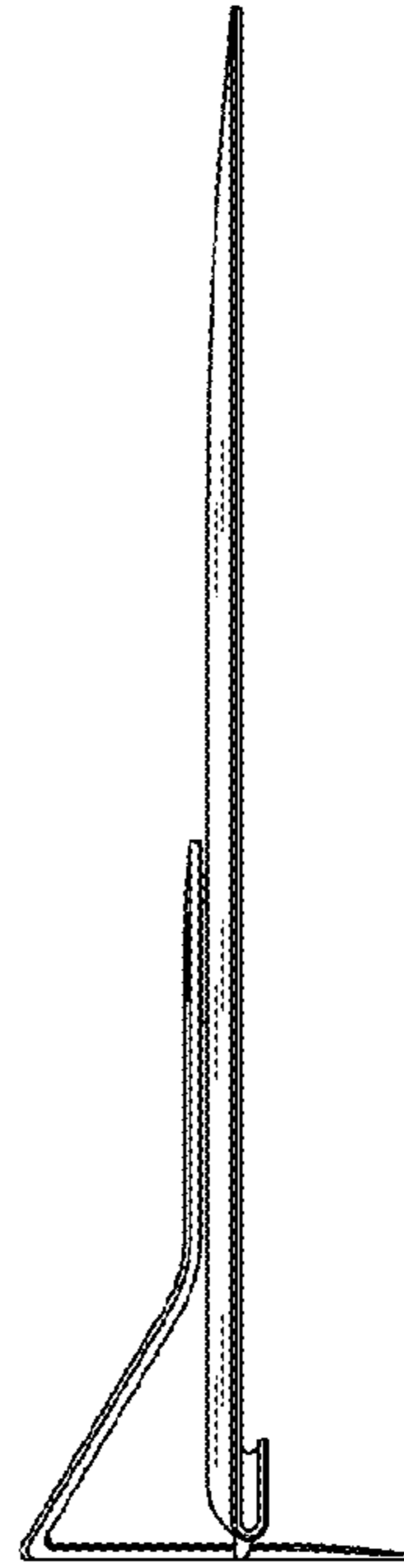


FIG. 5

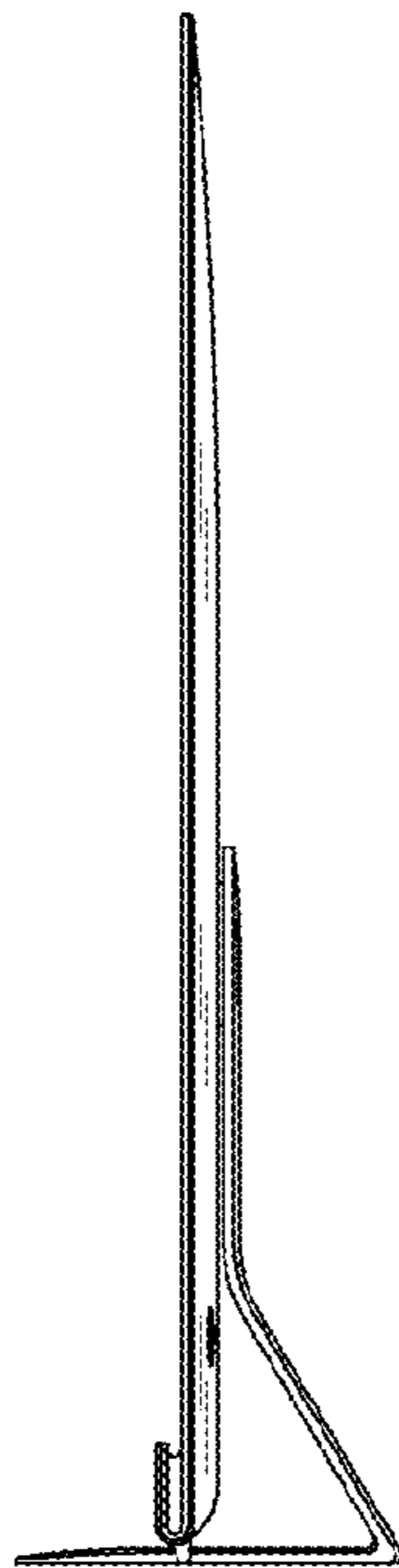


FIG. 6

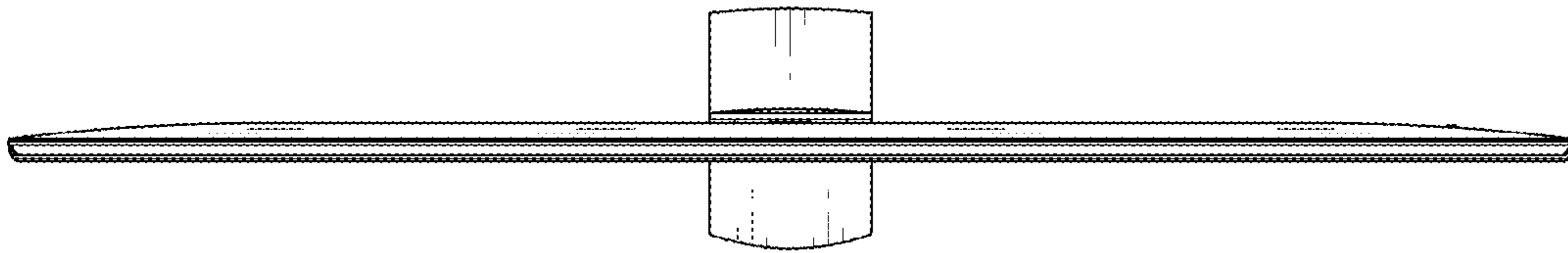


FIG. 7

