



US00D772824S

(12) **United States Design Patent**
Yoshida et al.

(10) **Patent No.:** **US D772,824 S**

(45) **Date of Patent:** **** Nov. 29, 2016**

(54) **REACTION TUBE**

(71) Applicant: **Hitachi Kokusai Electric Inc.**, Tokyo (JP)

(72) Inventors: **Hidenari Yoshida**, Toyama (JP);
Tomoshi Taniyama, Toyama (JP)

(73) Assignee: **HITACHI KOKUSAI ELECTRIC INC.**, Tokyo (JP)

(**) Term: **15 Years**

(21) Appl. No.: **29/536,784**

(22) Filed: **Aug. 19, 2015**

(30) **Foreign Application Priority Data**

Feb. 25, 2015 (JP) 2015-003957

(51) **LOC (10) Cl.** **13-03**

(52) **U.S. Cl.**
USPC **D13/182**

(58) **Field of Classification Search**

USPC D13/182; 118/50, 722, 724, 733, 715,
118/725; 219/385, 390, 391, 411, 496, 486,
219/523; 432/239, 241, 247, 251, 253, 266;
110/185; 373/109, 110, 111
CPC F27D 11/00; F27D 11/02; F27D 11/04;
H05B 3/62; H05B 3/64; H05B 3/66; H05B
3/023; H05B 3/06; H05B 3/026; F27B
14/04; F27B 14/06; H01J 49/0468; H01L
21/67098; H01L 21/67103; H01L 21/67109;
H01L 21/67115; C23C 16/455; C23C
16/45502; C23C 16/46

See application file for complete search history.

(56) **References Cited**

U.S. PATENT DOCUMENTS

D405,062 S * 2/1999 Shimazu D13/182
D405,429 S * 2/1999 Hanagata D13/182
D405,431 S * 2/1999 Shimazu D13/182
D406,113 S * 2/1999 Hanagata D13/182
5,948,300 A * 9/1999 Gero C30B 25/14
118/725

D417,438 S * 12/1999 Matsushima D13/182
D423,463 S * 4/2000 Hanagata D13/182
D424,024 S * 5/2000 Hanagata D13/182
D521,464 S * 5/2006 Ishii D13/182
D586,768 S * 2/2009 Inoue D13/182
D600,659 S * 9/2009 Matsuura D13/182
D610,559 S * 2/2010 Okada D13/182
D611,013 S * 3/2010 Takahashi D13/182
D618,638 S * 6/2010 Nakashima D13/182
D711,843 S * 8/2014 Yamazaki D13/182
D719,114 S * 12/2014 Yamazaki D13/182
D720,707 S * 1/2015 Yamazaki D13/182
D725,055 S * 3/2015 Yamazaki D13/182
D739,832 S * 9/2015 Yamazaki D13/182
2003/0221779 A1 * 12/2003 Okuda C23C 16/4405
156/345.26
2008/0083372 A1 * 4/2008 Inoue C23C 16/45578
118/725
2009/0194521 A1 * 8/2009 Kobayashi F27B 17/0025
219/520
2009/0250005 A1 * 10/2009 Kaneko H01L 21/67109
118/724

* cited by examiner

Primary Examiner — Elizabeth J Oswecki

(74) *Attorney, Agent, or Firm* — Fitch, Even, Tabin & Flannery, LLP

(57)

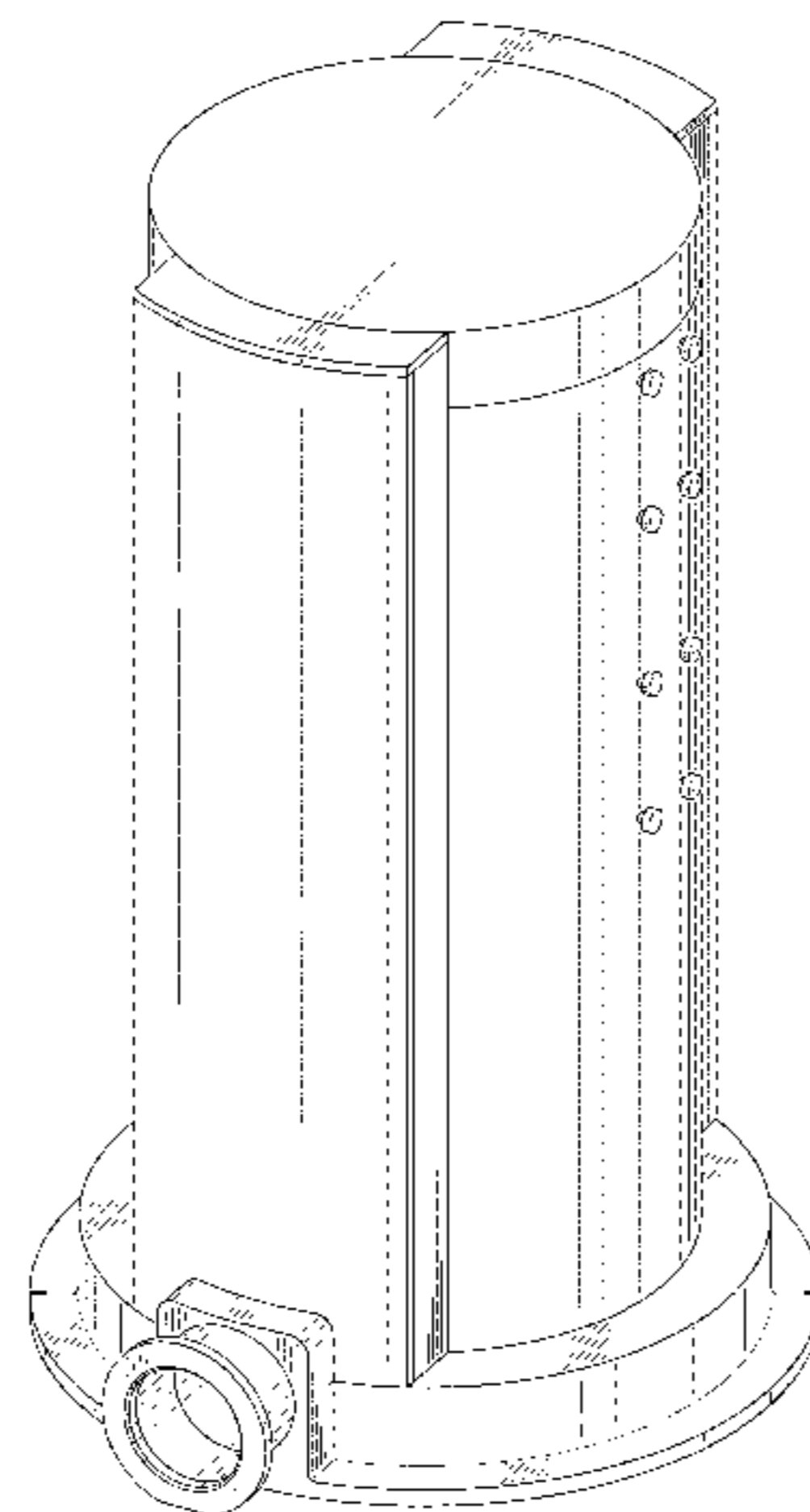
CLAIM

The ornamental design for a reaction tube, as shown and described.

DESCRIPTION

FIG. 1 is a perspective view of a reaction tube showing my new design;
FIG. 2 is a front elevational view thereof;
FIG. 3 is a rear elevational view thereof;
FIG. 4 is a left side elevational view thereof;
FIG. 5 is a right side elevational view thereof;
FIG. 6 is a top plan view thereof; and
FIG. 7 is a bottom plan view thereof.
FIG. 8 is a cross sectional view taken along line 8-8 in FIG. 2 thereof;
FIG. 9 is a cross sectional view taken along line 9-9 in FIG. 2 thereof;
FIG. 10 is a cross sectional view taken along line 10-10 in FIG. 4 thereof; and,
FIG. 11 is a cross sectional view taken along line 11-11 in FIG. 4 thereof.

1 Claim, 11 Drawing Sheets



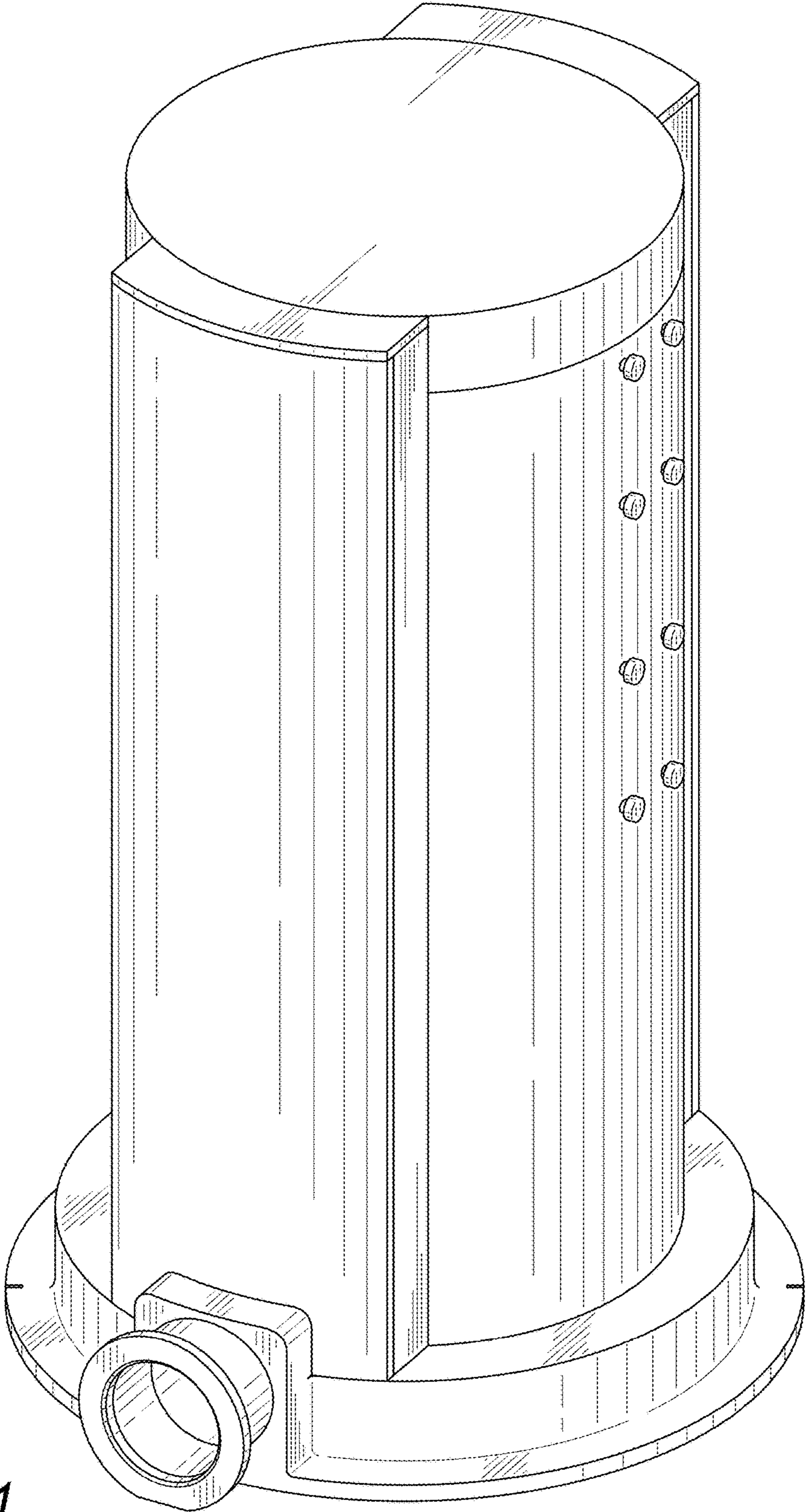


FIG. 1

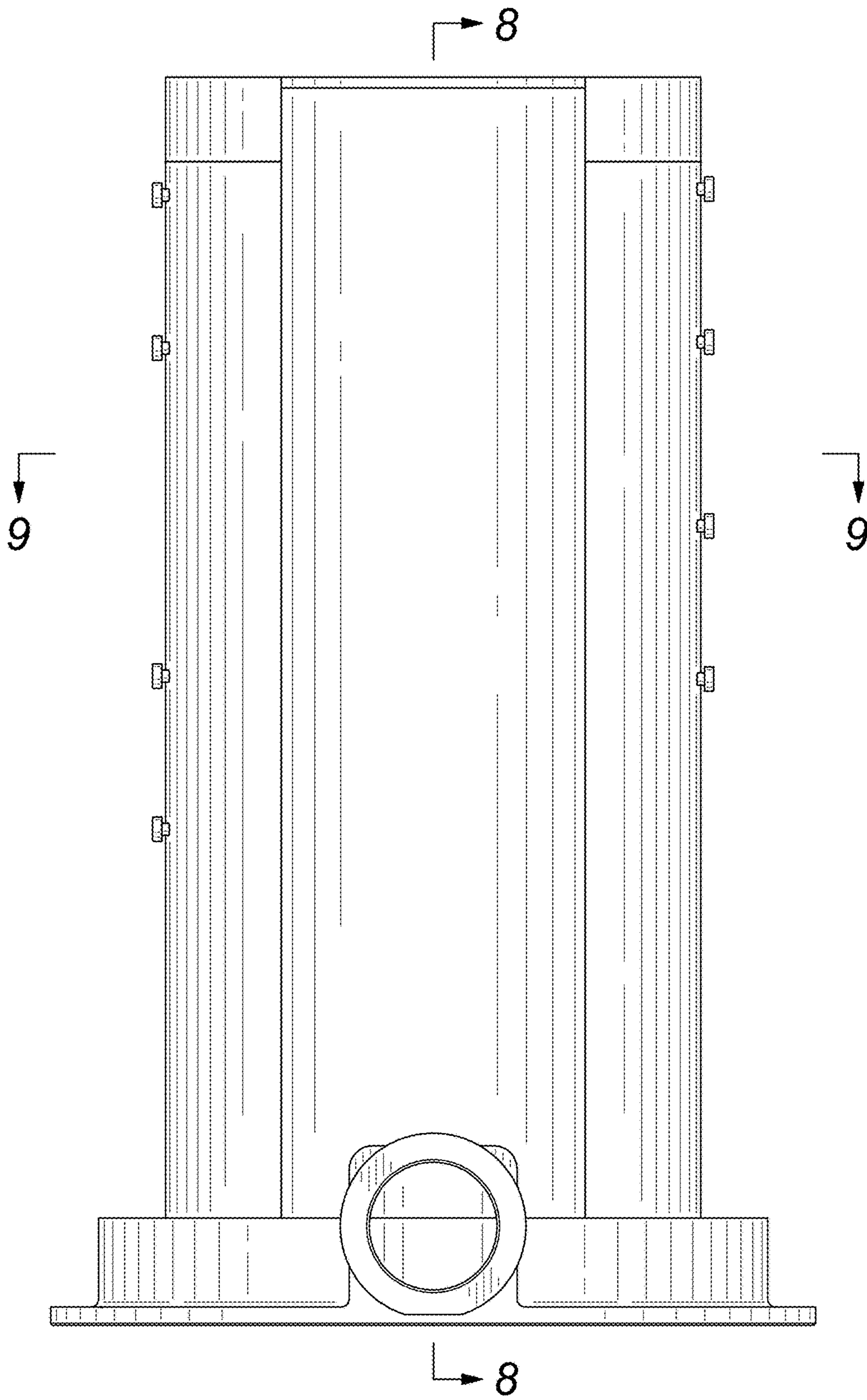


FIG. 2

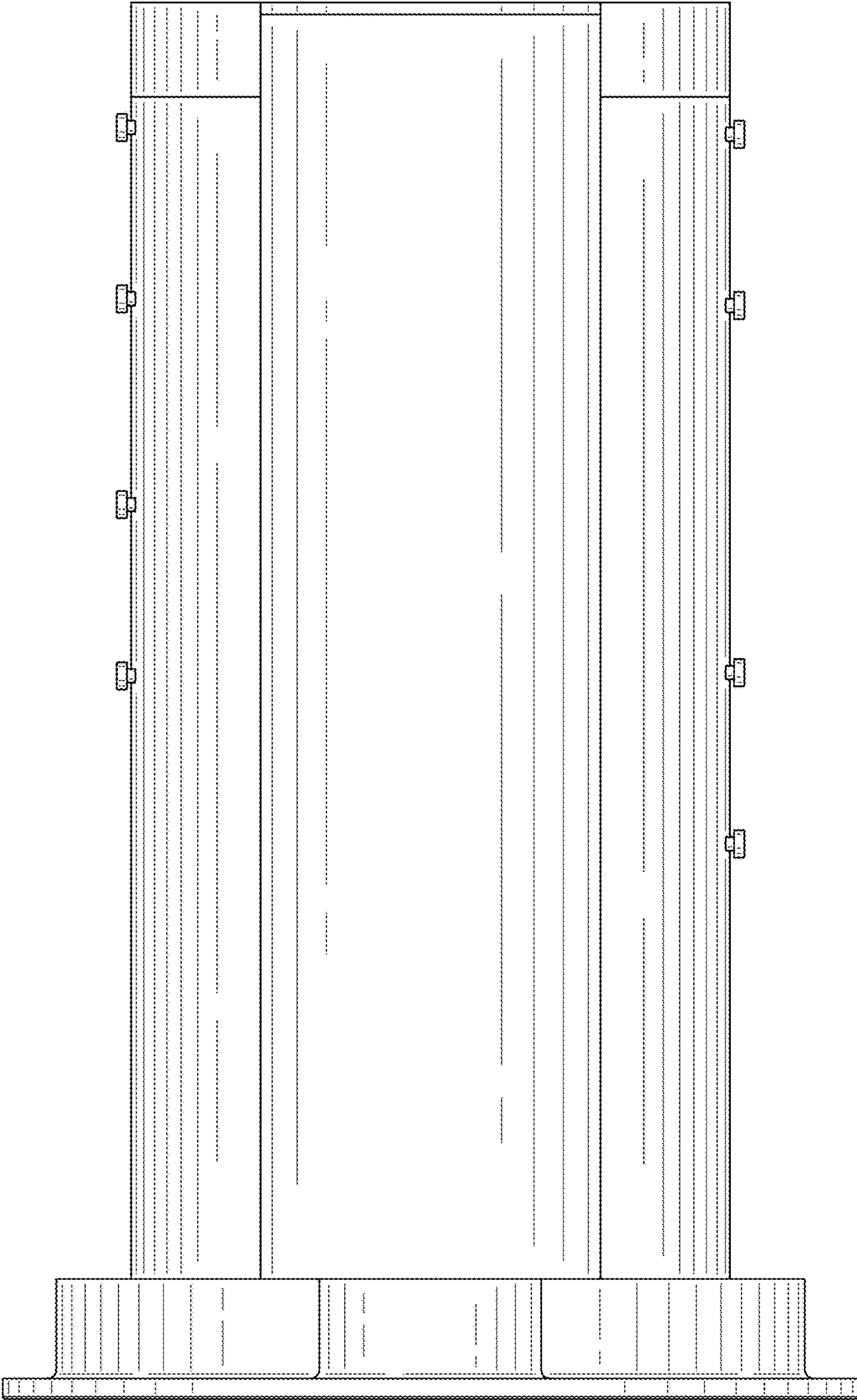


FIG. 3

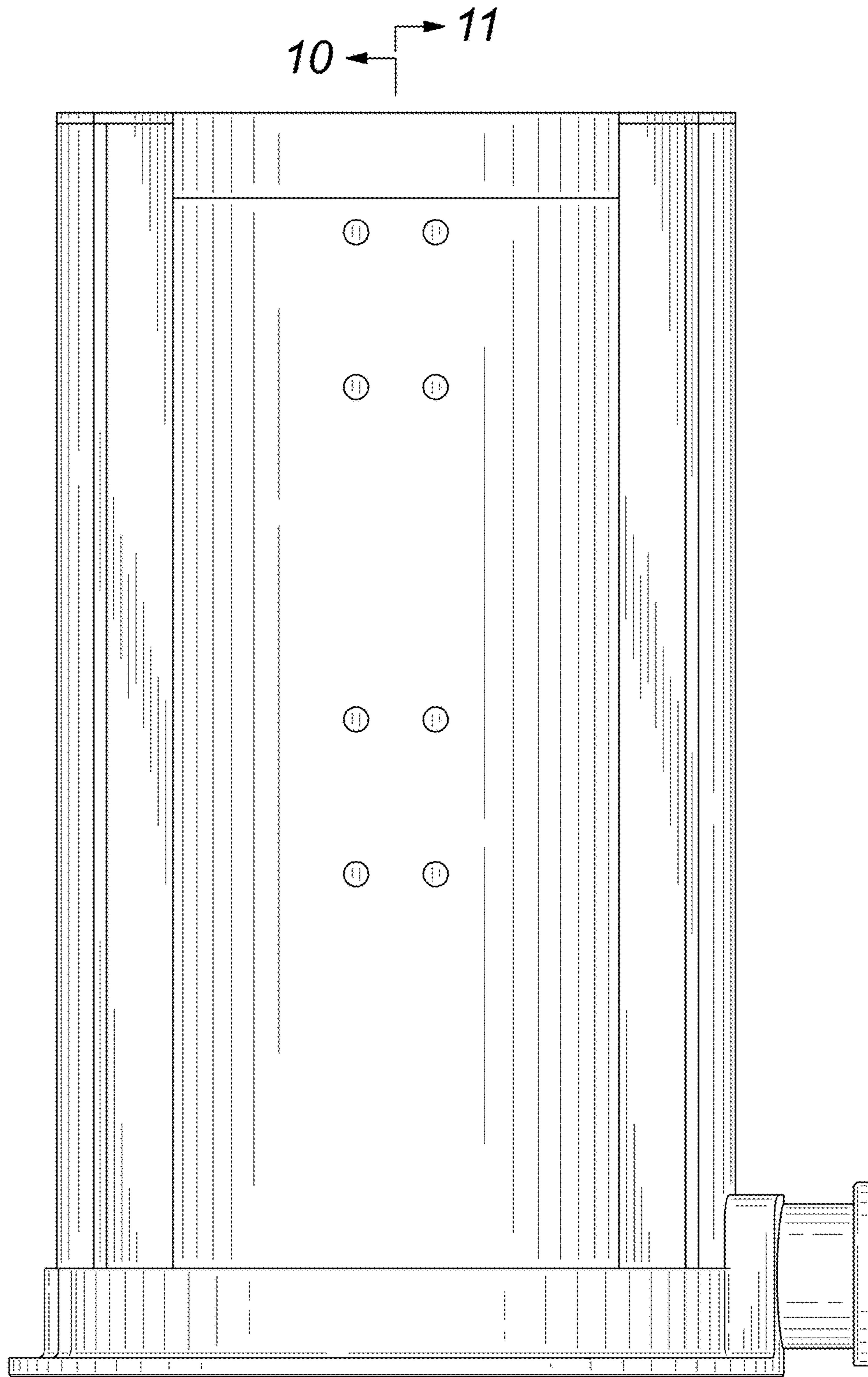


FIG. 4

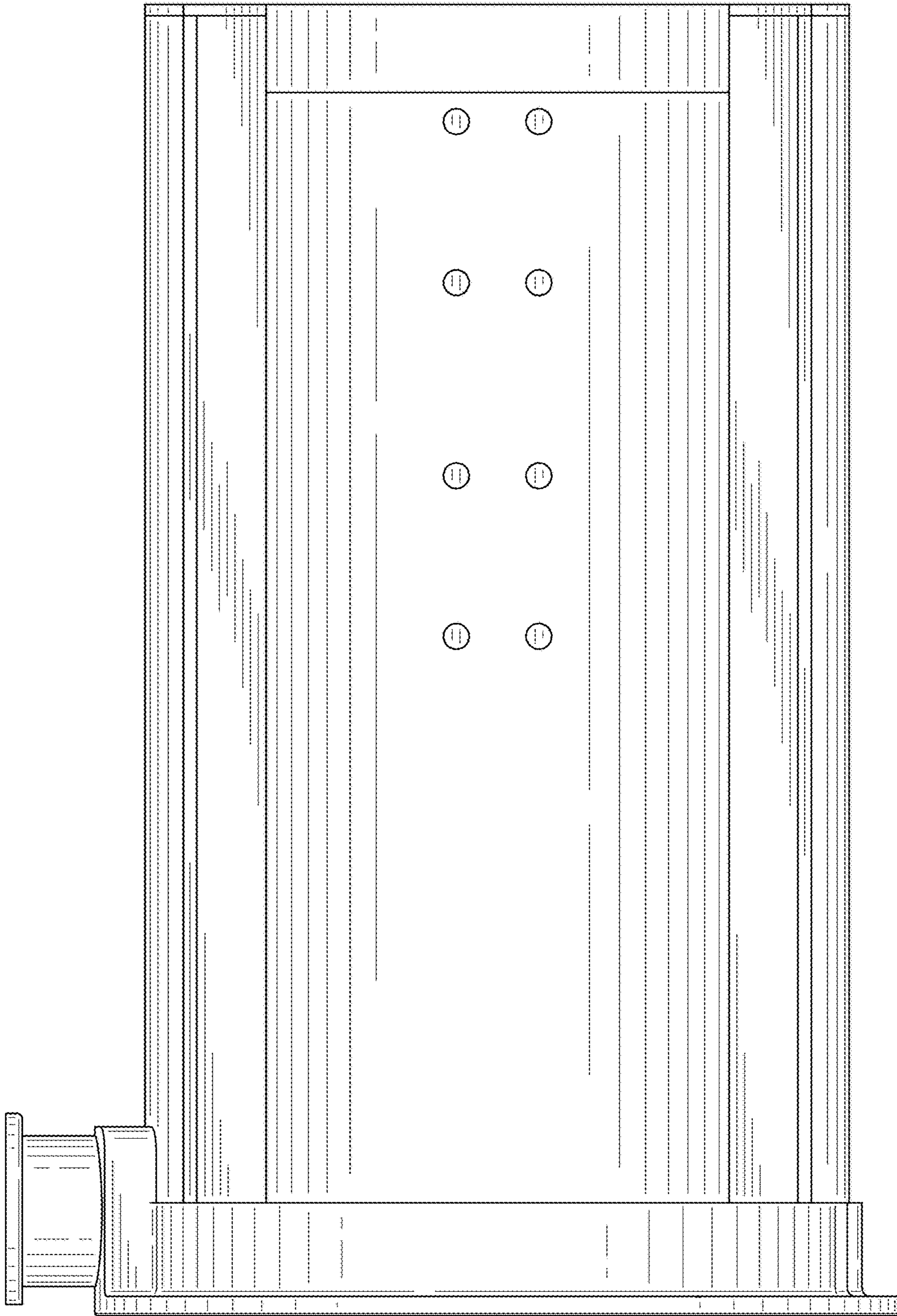


FIG. 5

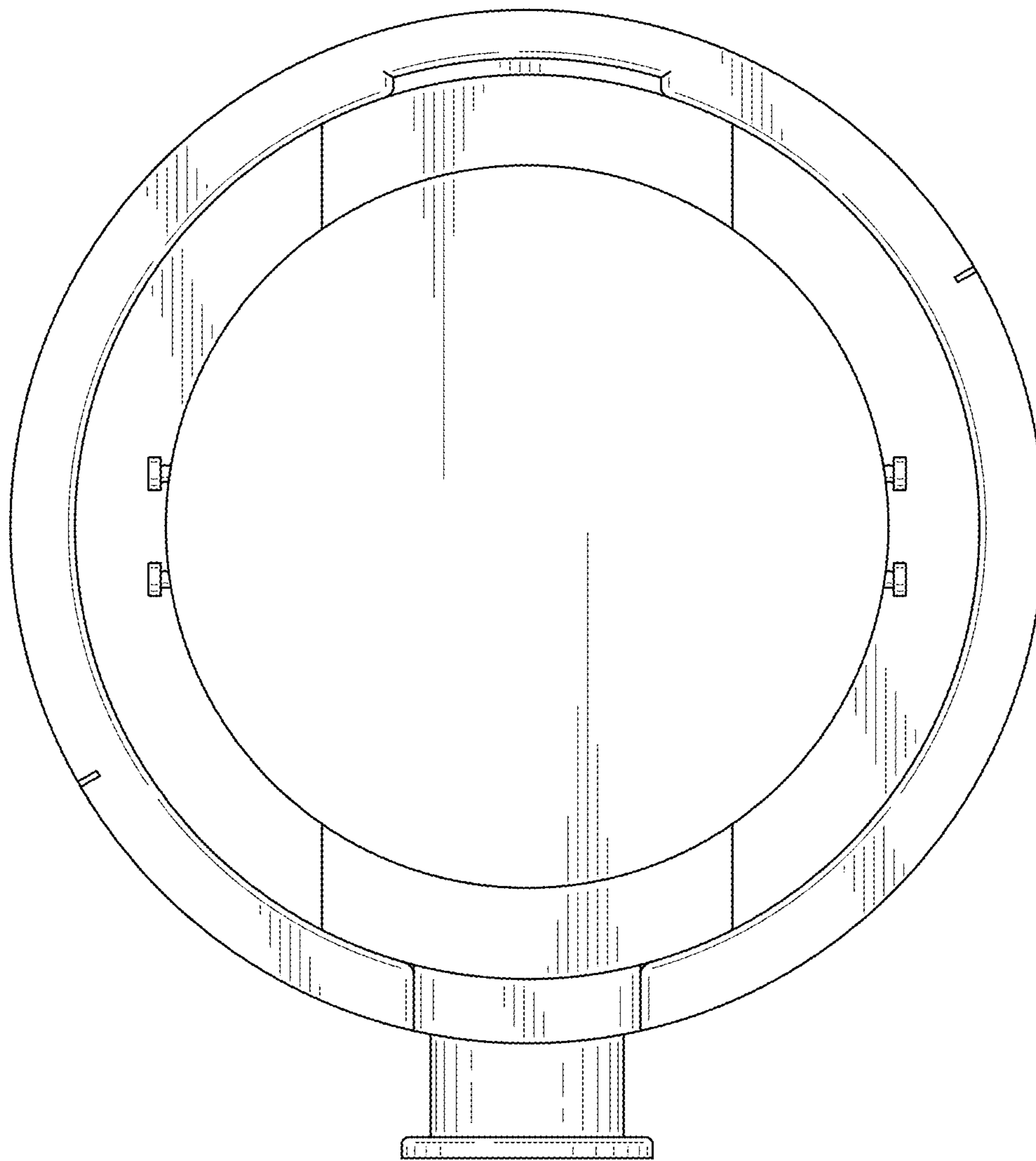


FIG. 6

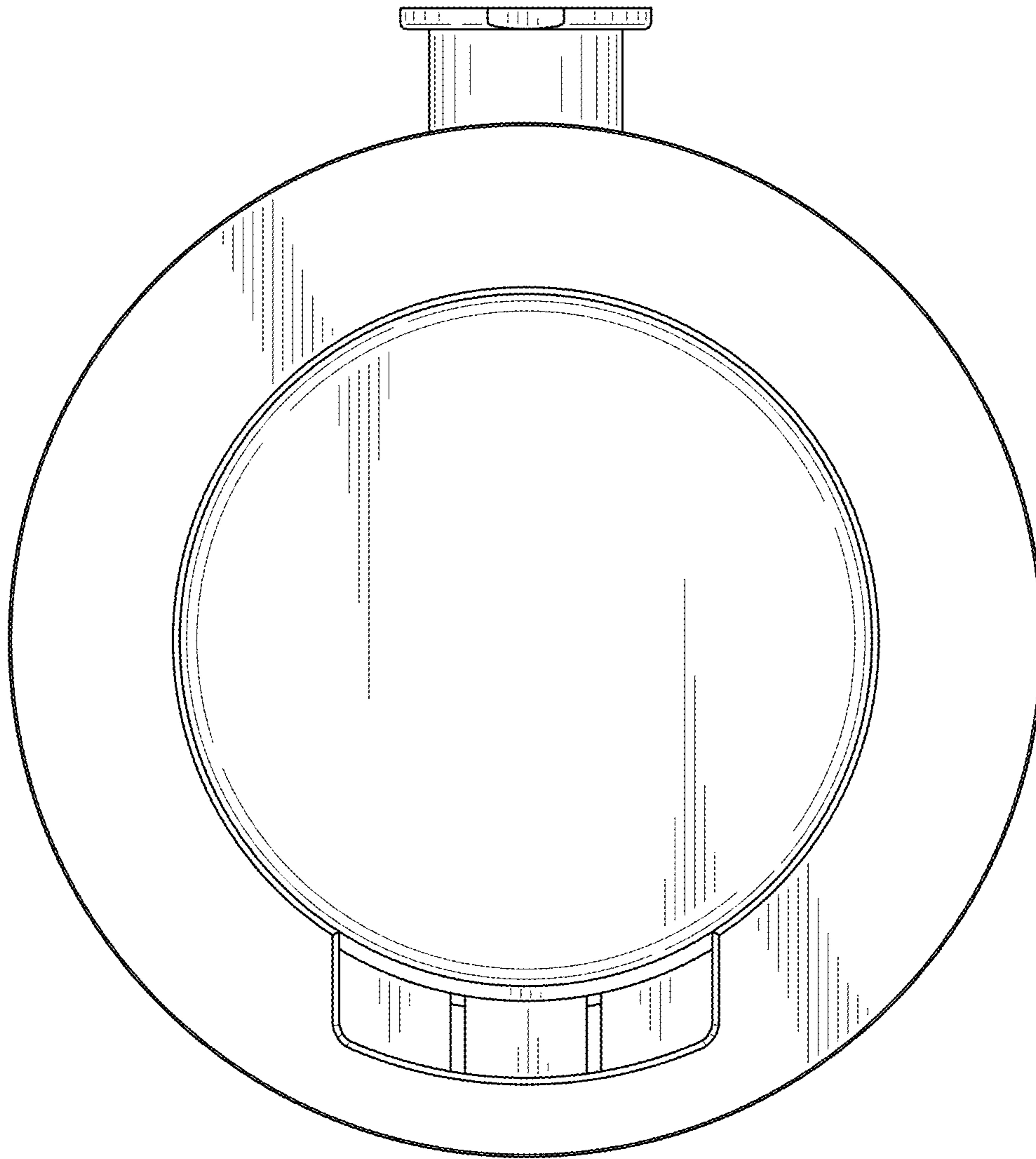


FIG. 7

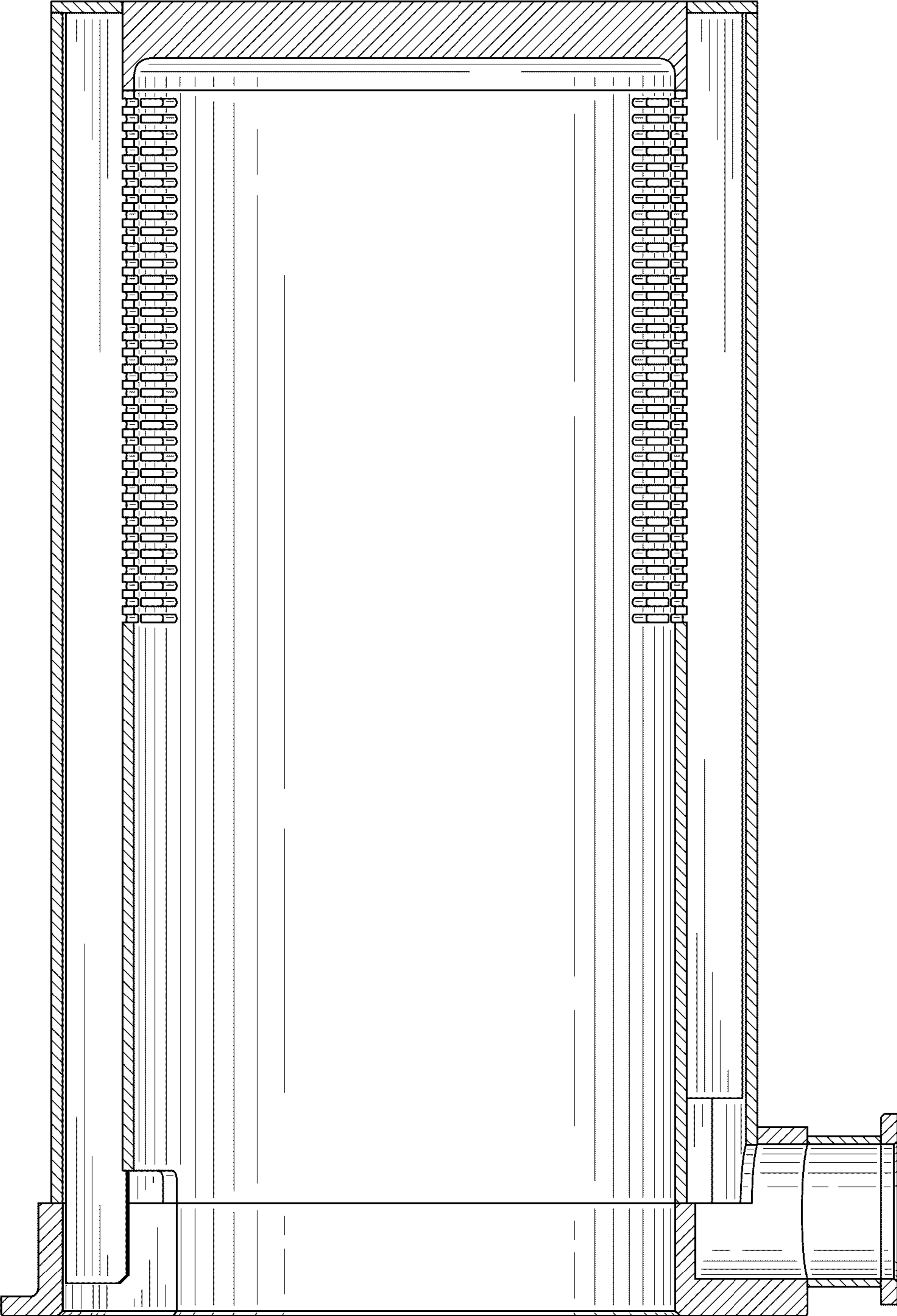


FIG. 8

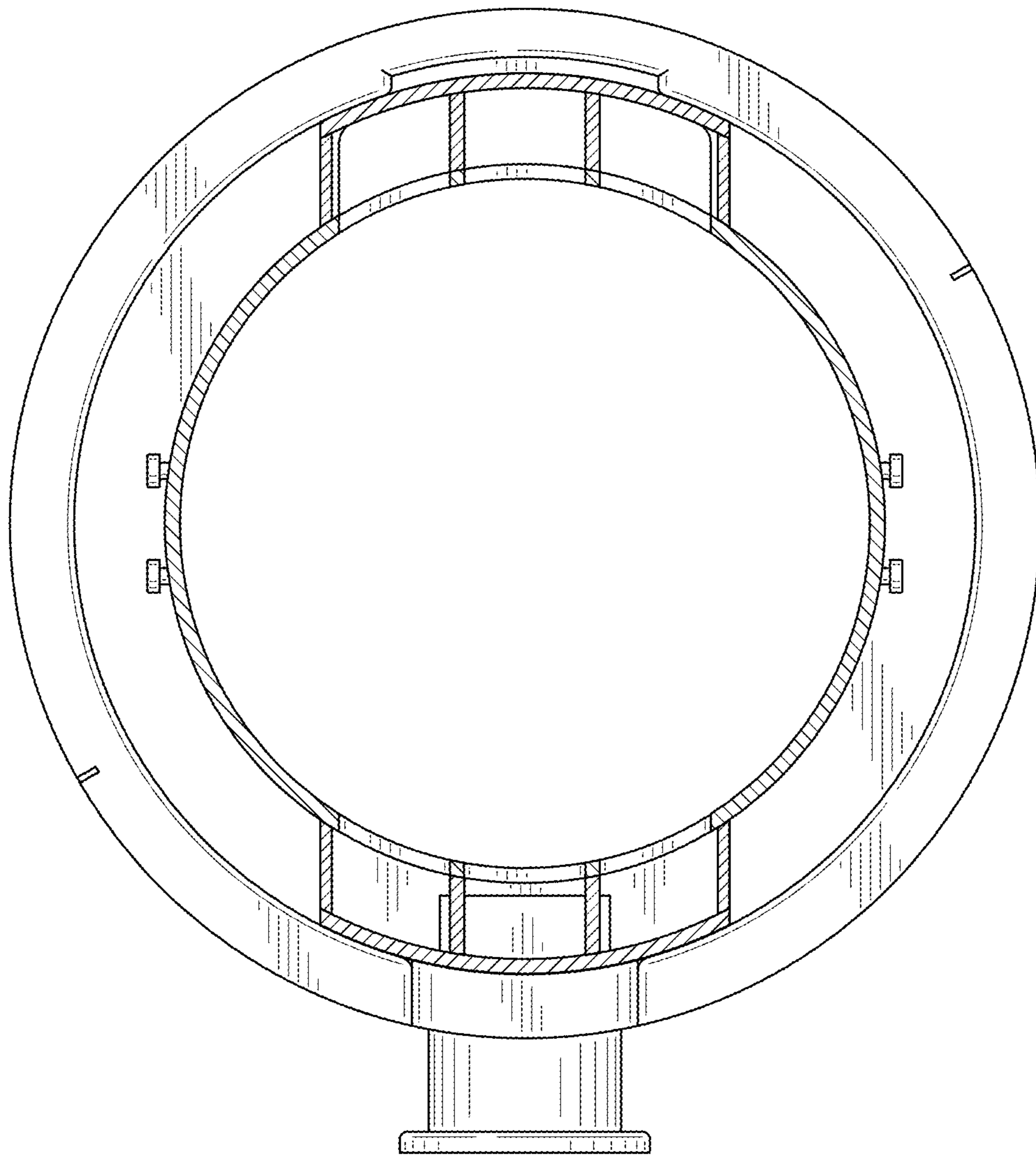


FIG. 9

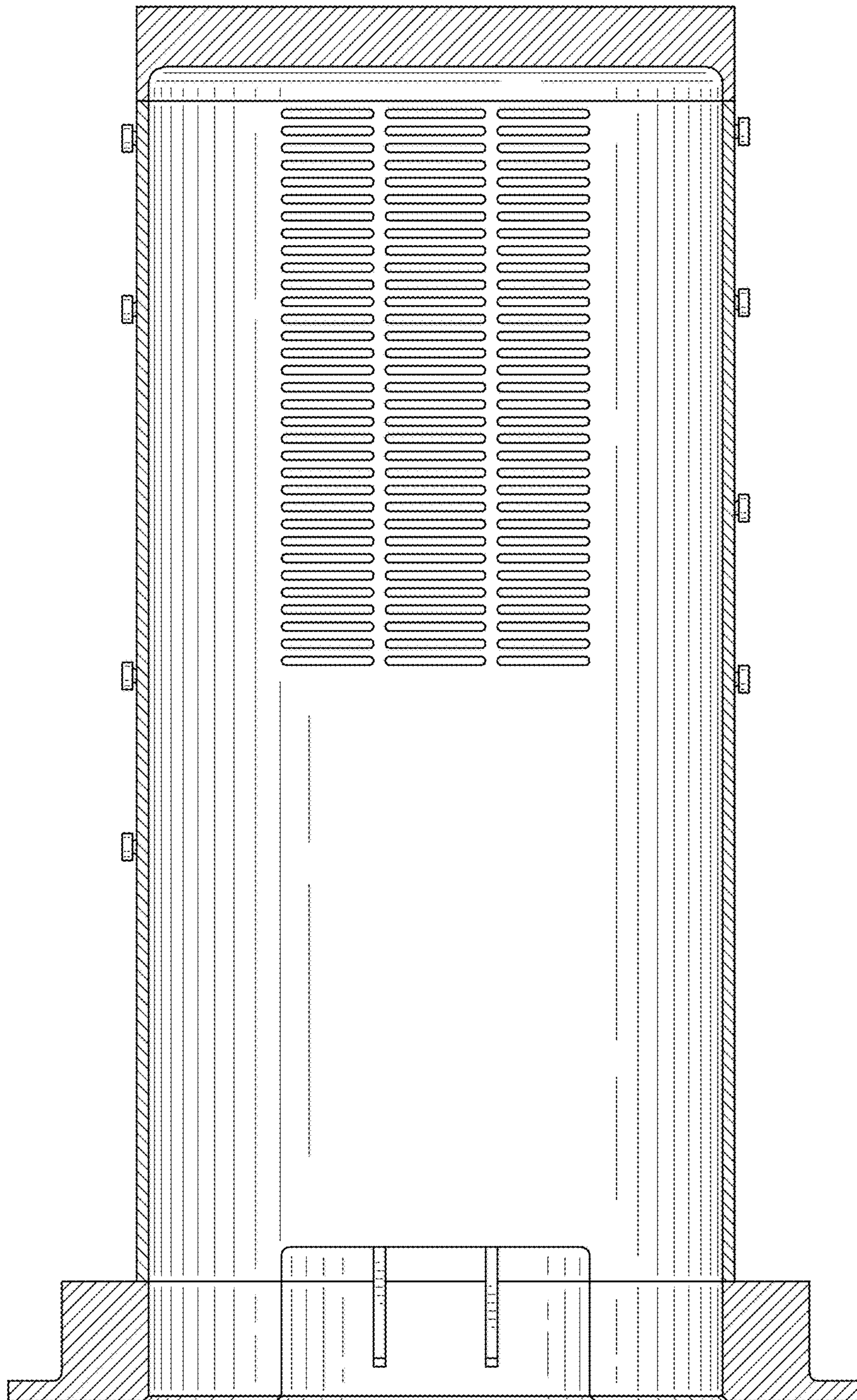


FIG. 10

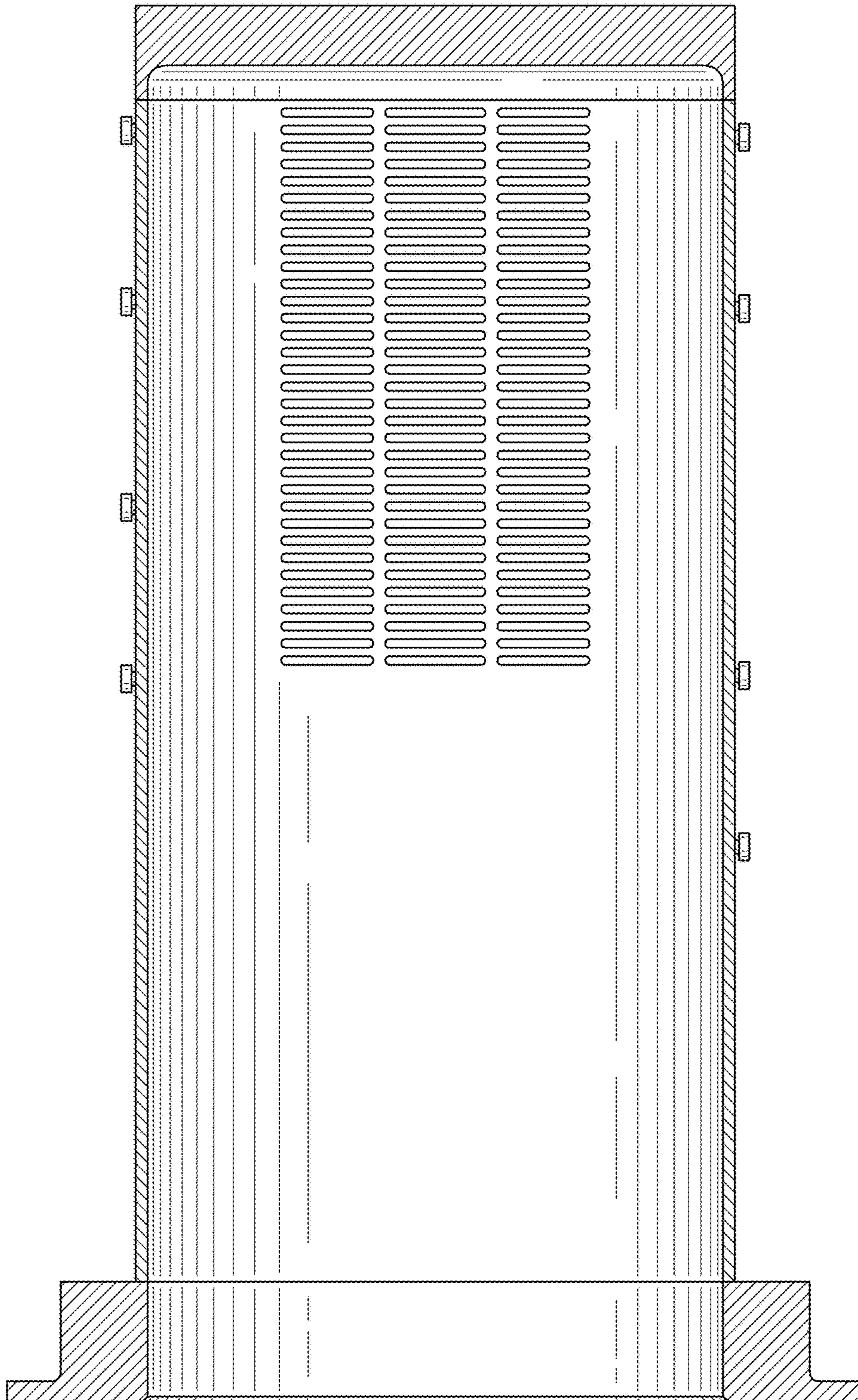


FIG. 11