



US00D772819S

(12) **United States Design Patent**
Hirose et al.

(10) **Patent No.:** **US D772,819 S**

(45) **Date of Patent:** **** Nov. 29, 2016**

(54) **RELAY**

(71) Applicant: **OMRON Corporation**, Kyoto-shi,
Kyoto (JP)

(72) Inventors: **Yuji Hirose**, Kyotanabe (JP); **Masayuki Shinohara**, Nagaokakyo (JP); **Yasuhiro Tanoue**, Otsu (JP); **Hiroyuki Miyamoto**, Yasu (JP); **Yoshimasa Osumi**, Kyoto (JP); **Kazuhide Hirota**, Moriyama (JP)

(73) Assignee: **OMRON CORPORATION**, Kyoto (JP)

(**) Term: **14 Years**

(21) Appl. No.: **29/500,874**

(22) Filed: **Aug. 29, 2014**

(30) **Foreign Application Priority Data**

Mar. 4, 2014 (JP) 2014-004613

(51) **LOC (10) Cl.** **13-03**

(52) **U.S. Cl.**
USPC **D13/159**

(58) **Field of Classification Search**

USPC D13/110, 118, 123, 133, 147, 152, 154,
D13/158-160, 171, 173, 174, 184, 199
CPC H01H 50/00; H01H 50/08; H01H 50/60;
H01H 50/26; H01H 51/065; H01H 51/06;
H01H 71/08; H01H 73/18; G02B 6/0008;
G02B 5/0226

See application file for complete search history.

(56) **References Cited**

U.S. PATENT DOCUMENTS

1,656,199 A * 1/1928 Hodgson A63H 33/14
434/403
D251,840 S * 5/1979 Fujita D13/159

D377,007 S * 12/1996 Tan D13/147
D378,510 S * 3/1997 Tan D13/147
5,986,529 A * 11/1999 Miyata H01H 50/60
335/129
D463,742 S * 10/2002 Saucier D9/435
6,933,815 B2 * 8/2005 Saruwatari H01H 50/08
335/17
D618,182 S * 6/2010 Stiles, Jr. D13/164

(Continued)

FOREIGN PATENT DOCUMENTS

JP 1490151 2/2014
JP 1490562 2/2014

OTHER PUBLICATIONS

OMRON G8HL Automotive Micro ISO relay, dated Aug. 31, 2012, [online], [site visited Feb. 2, 2016]. Available from Internet, <URL: <https://www.omron.com/ecb/products/ary/1/g8hl.html>>.*

Primary Examiner — Thomas Johannes

Assistant Examiner — Shawn T Gingrich

(74) *Attorney, Agent, or Firm* — Harness, Dickey & Pierce, P.L.C.

(57) **CLAIM**

The ornamental design for a relay, as shown and described.

DESCRIPTION

FIG. 1 is a perspective view of a relay;
FIG. 2 is a front elevational view thereof;
FIG. 3 is a rear elevational view thereof;
FIG. 4 is a left side view thereof;
FIG. 5 is a right side view thereof;
FIG. 6 is a top plan view thereof; and,
FIG. 7 is a bottom plan view thereof.

The broken lines depict environmental subject matter only and form no part of the claimed design. The oblique short lines in FIGS. 1 and 6 are intended to illustrate that the surface is translucent.

1 Claim, 3 Drawing Sheets

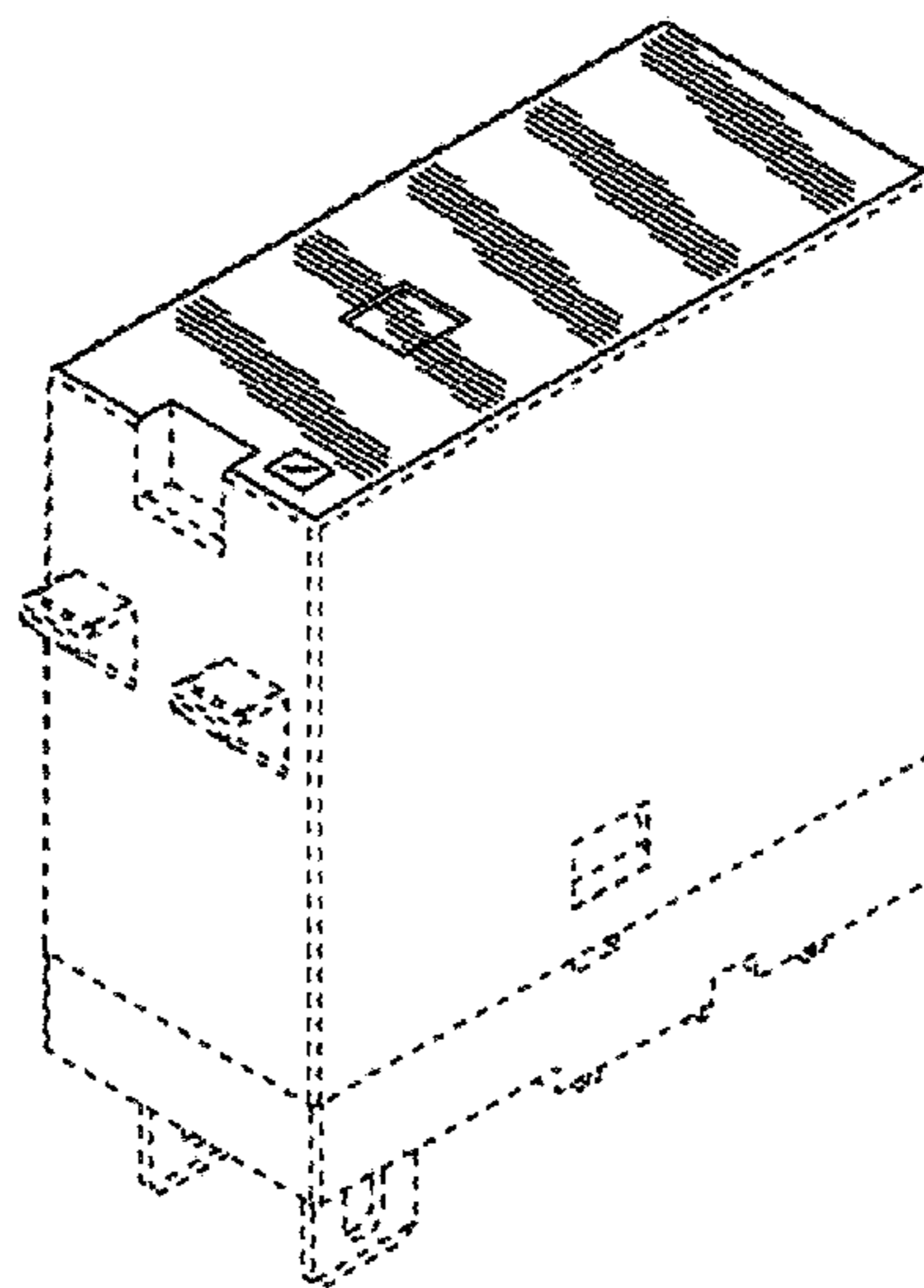


Fig. 1

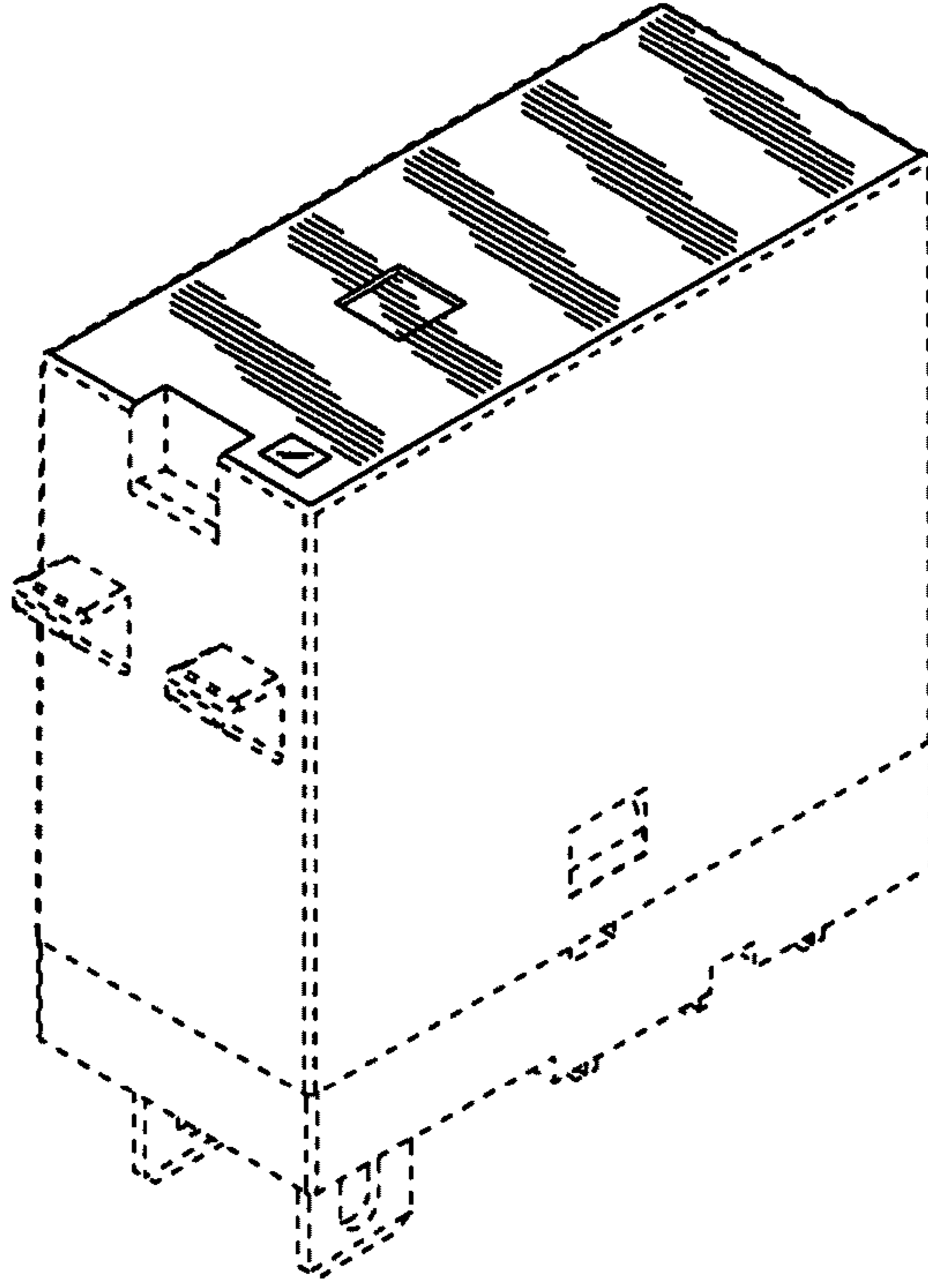


Fig. 2

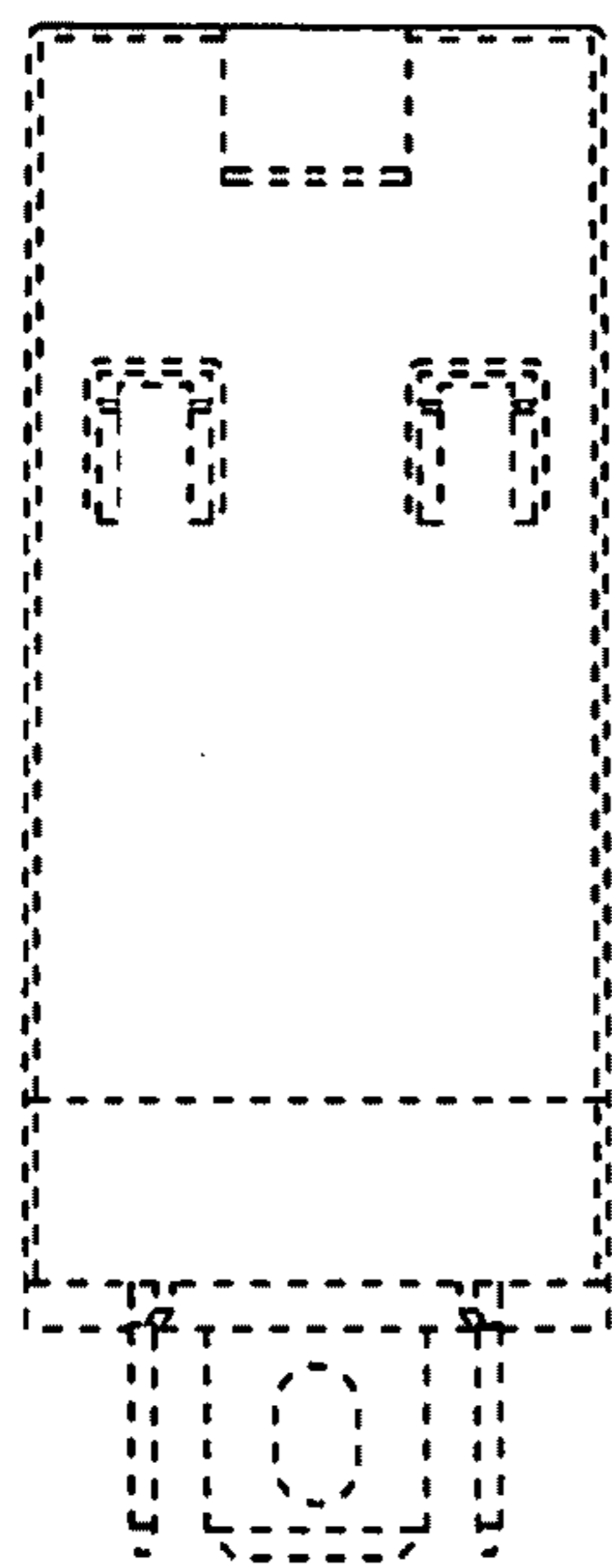


Fig. 3

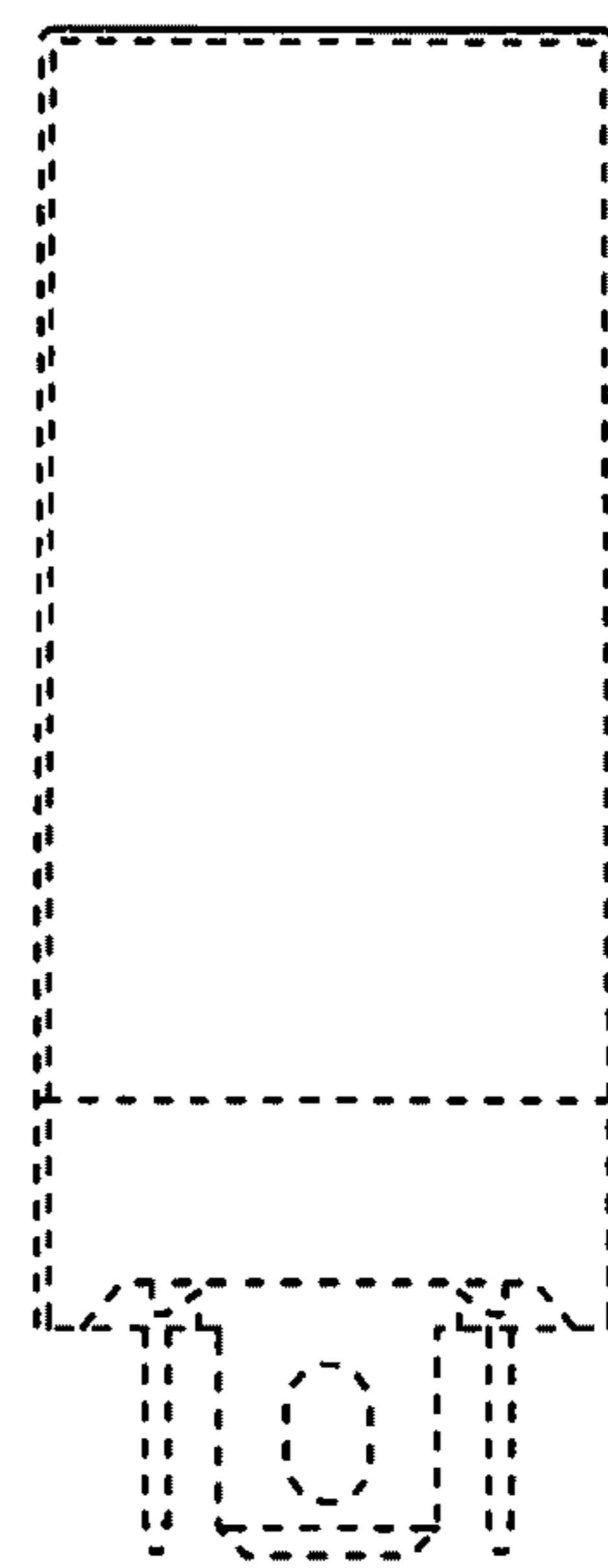


Fig. 4

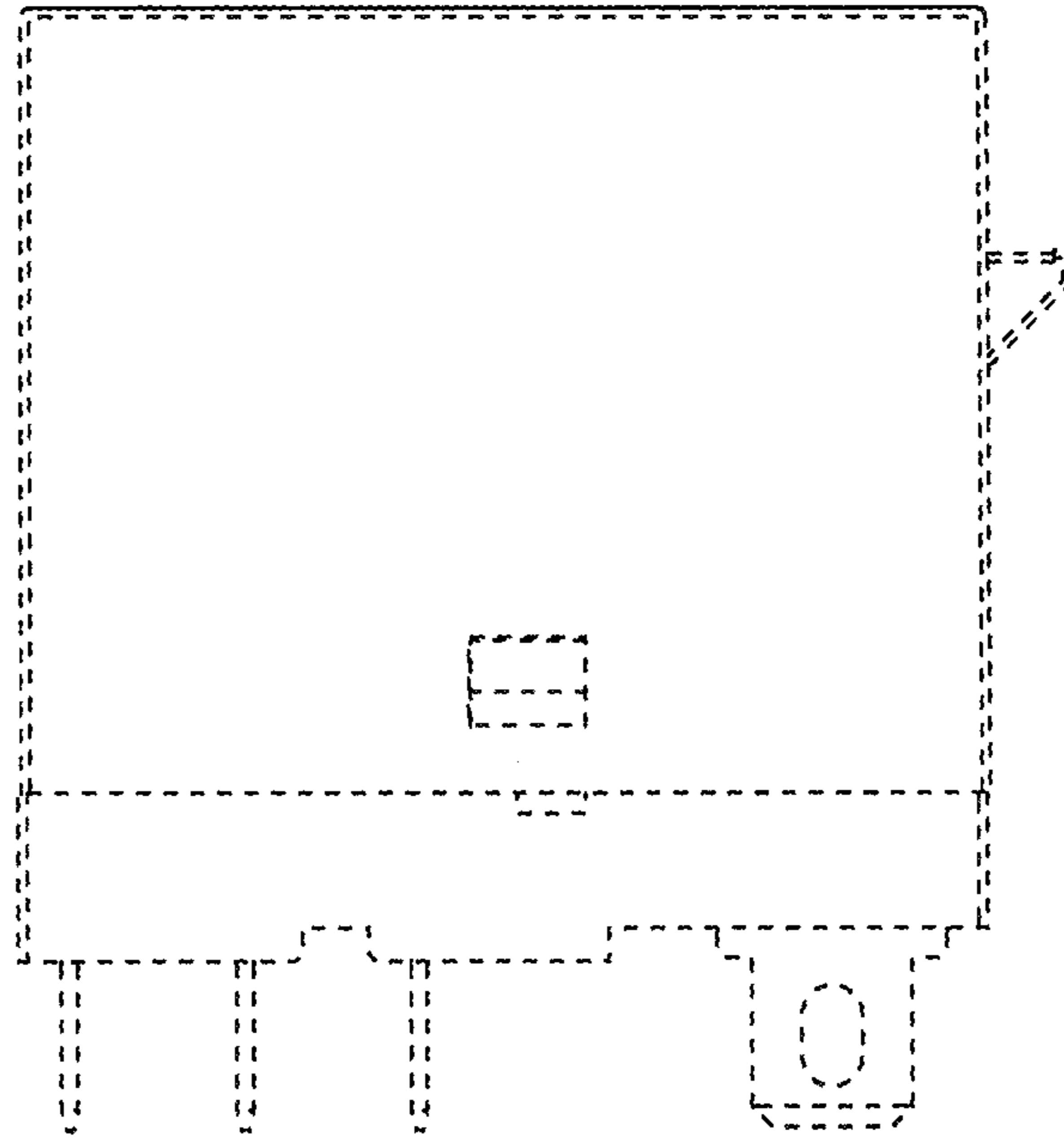


Fig. 5

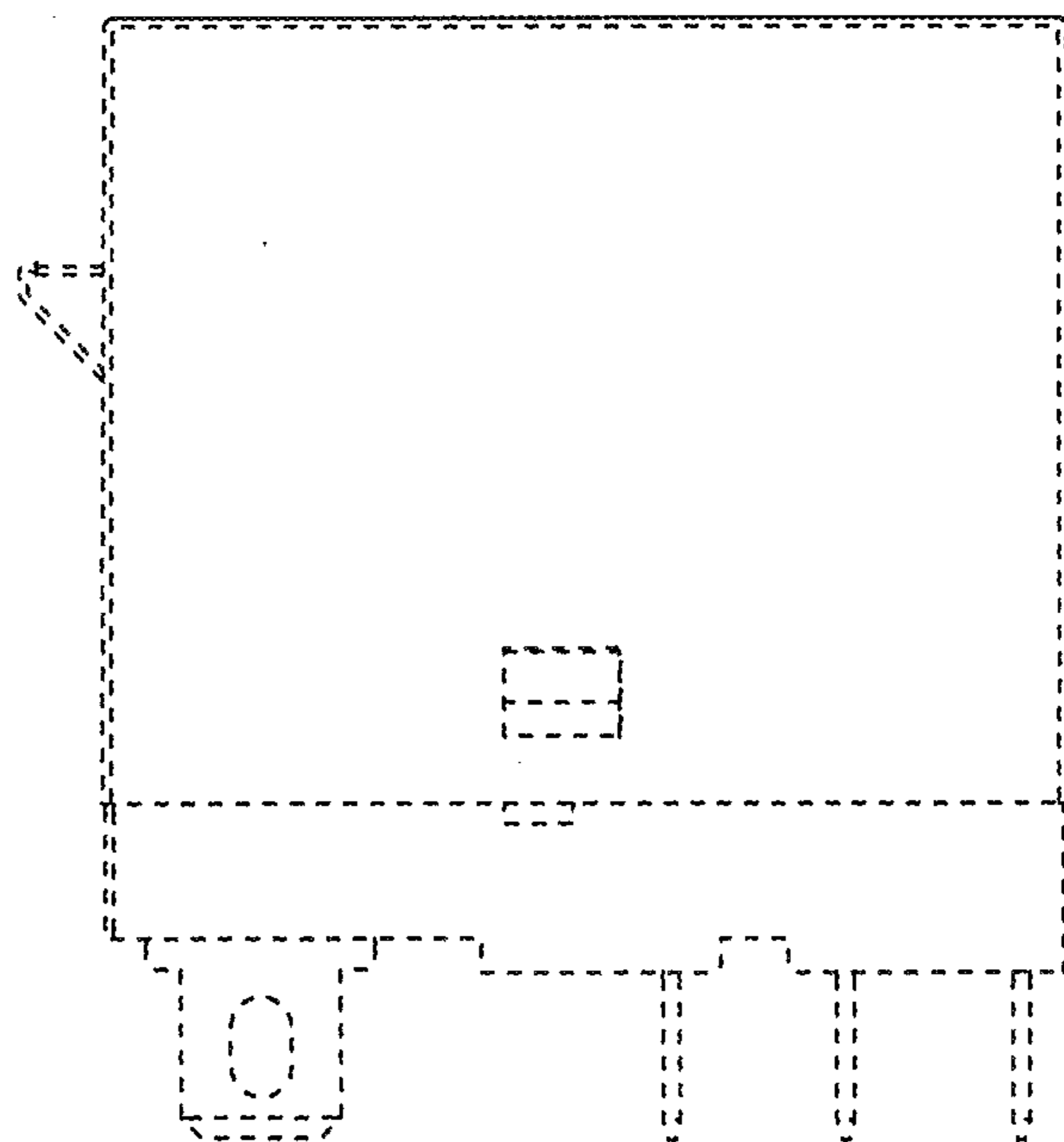


Fig. 6



Fig. 7

