



US00D772818S

(12) **United States Design Patent** (10) **Patent No.:** **US D772,818 S**
Tate (45) **Date of Patent:** **** Nov. 29, 2016**

(54) **CONTACT MEMBER FOR AN ELECTRONIC DEVICE SOCKET**

D656,100 S * 3/2012 Kajiura D13/154
D665,361 S * 8/2012 Koyama D13/154
D717,739 S * 11/2014 Takaki D13/154
D731,983 S * 6/2015 Teranishi D13/154
9,160,105 B2 * 10/2015 Takaki H01R 12/716

(71) Applicant: **John O. Tate**, Lincoln, RI (US)

* cited by examiner

(72) Inventor: **John O. Tate**, Lincoln, RI (US)

(**) Term: **15 Years**

Primary Examiner — Daniel Bui

(21) Appl. No.: **29/548,226**

(74) *Attorney, Agent, or Firm* — Barlow, Josephs & Holmes, Ltd.

(22) Filed: **Dec. 11, 2015**

Related U.S. Application Data

(63) Continuation of application No. 14/285,723, filed on May 23, 2014.

(57) **CLAIM**

The ornamental design for a contact member for an electronic device socket, as shown and described.

(51) **LOC (10) Cl.** **13-03**

DESCRIPTION

(52) **U.S. Cl.**

USPC **D13/154**

(58) **Field of Classification Search**

USPC D13/133, 147, 154, 184, 199

CPC H01R 9/00; H01R 12/00; H01R 13/00

See application file for complete search history.

FIG. 1 is a perspective view of a contact member for an electronic device socket in accordance with the present design;

FIG. 2 is a front view thereof;

FIG. 3 is a rear view thereof;

FIG. 4 is a right view thereof, the left view being a mirror image of the right view;

FIG. 5 is a top view thereof; and,

FIG. 6 is a bottom view thereof.

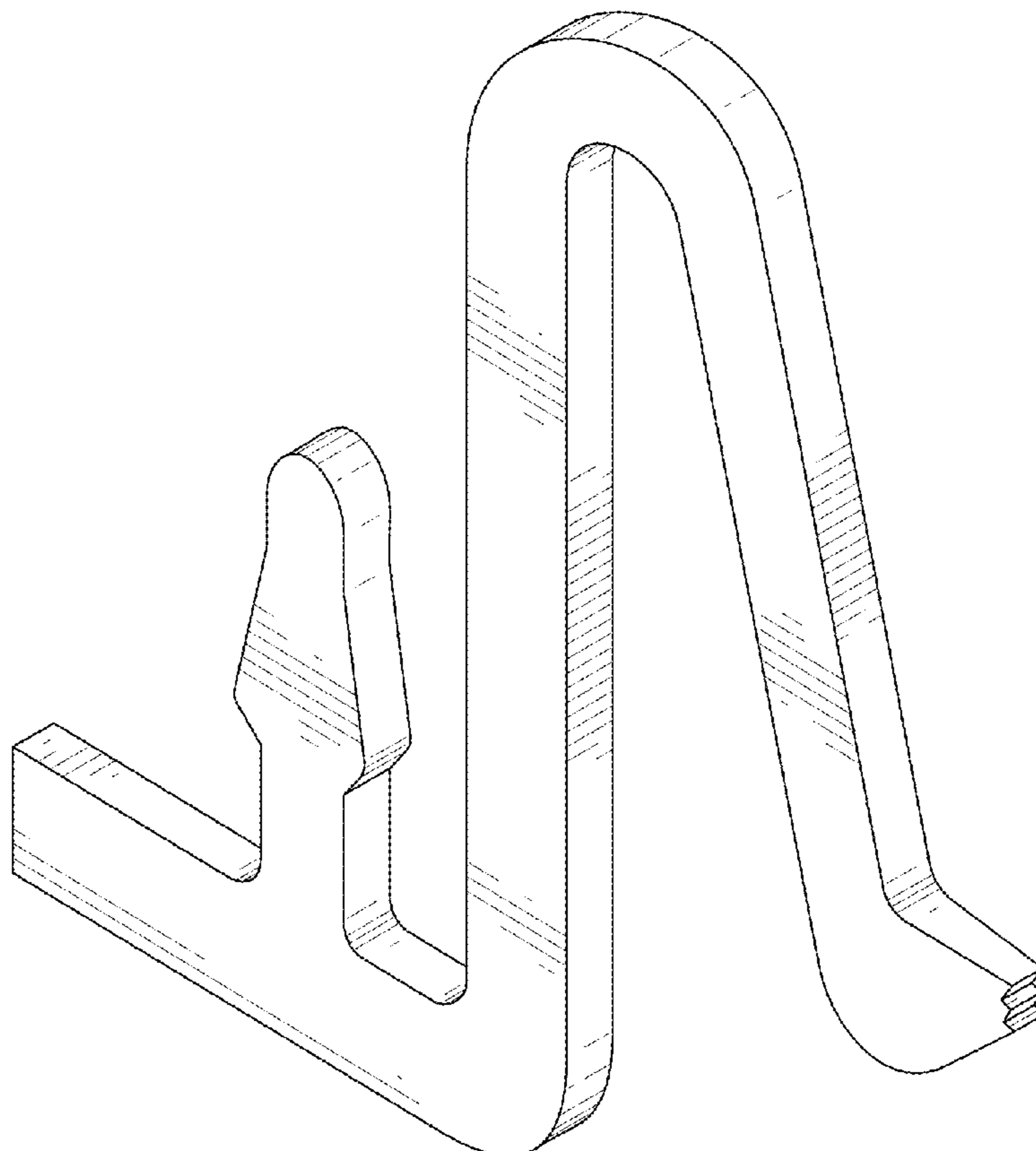
(56) **References Cited**

U.S. PATENT DOCUMENTS

D514,522 S * 2/2006 Chiang D13/154

D589,902 S * 4/2009 Peng D13/154

1 Claim, 4 Drawing Sheets



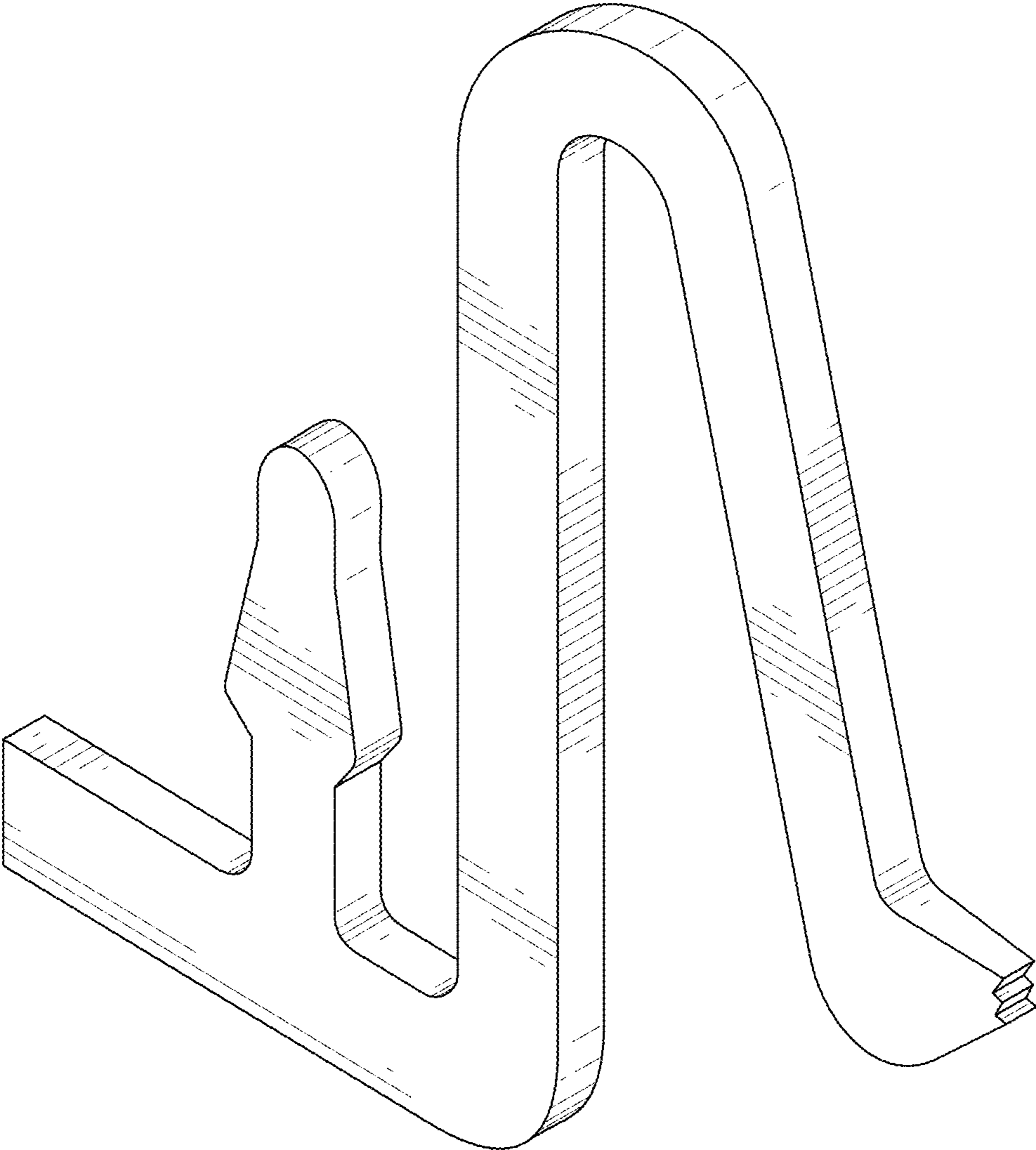


FIG. 1

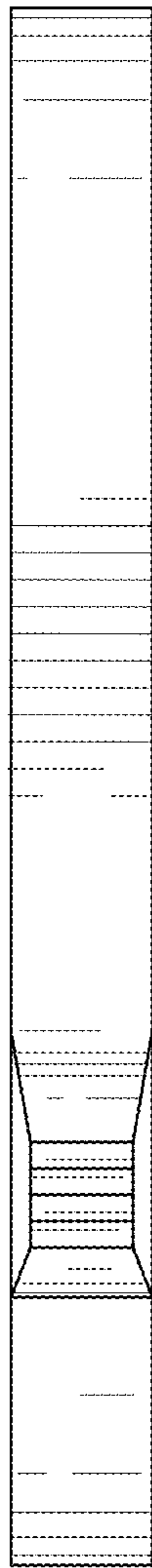


FIG. 2



FIG. 3

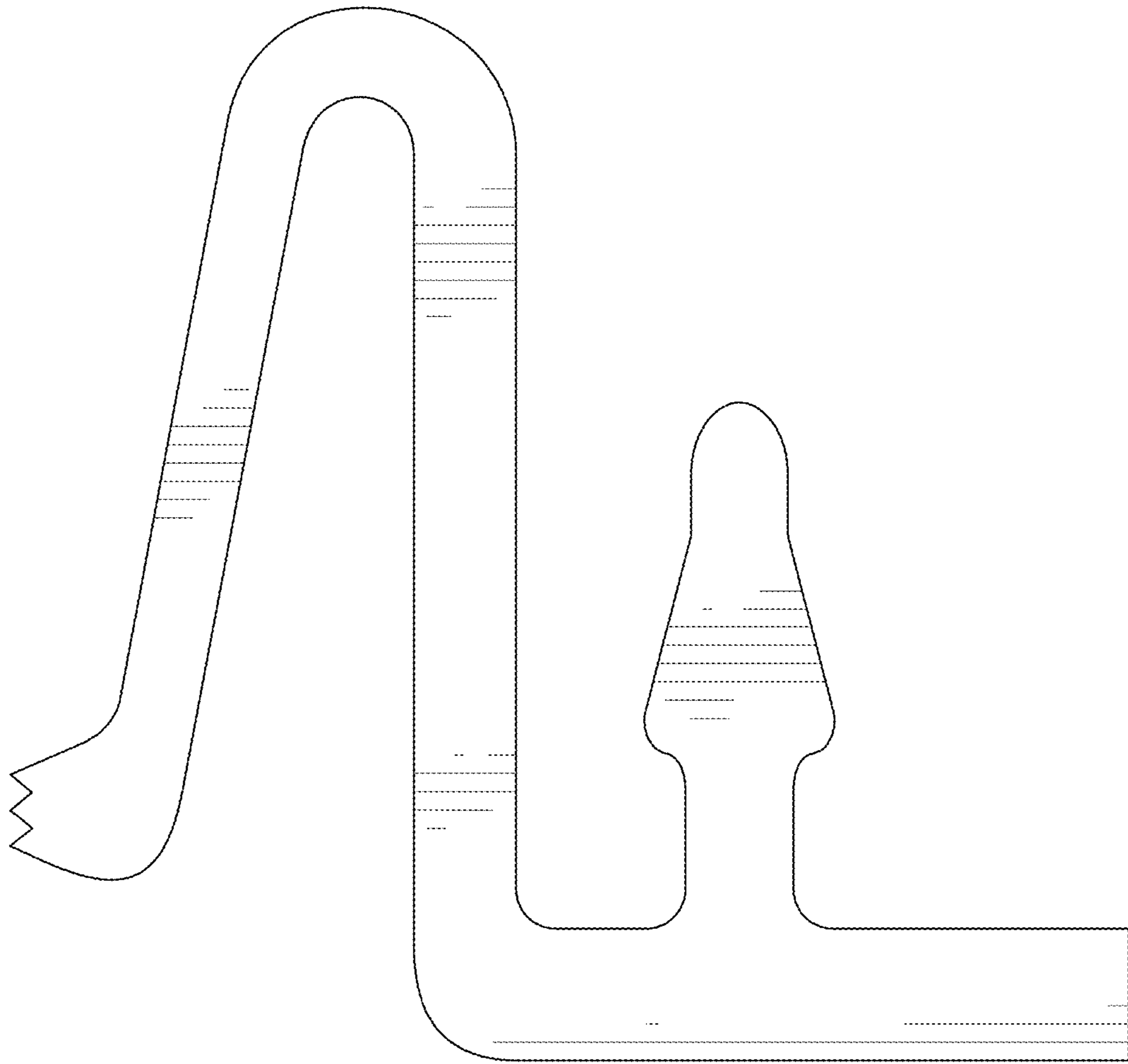


FIG. 4

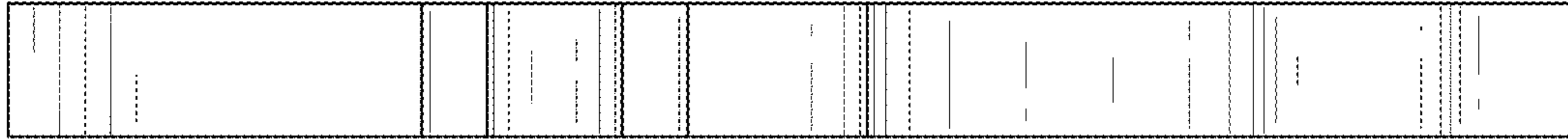


FIG. 5

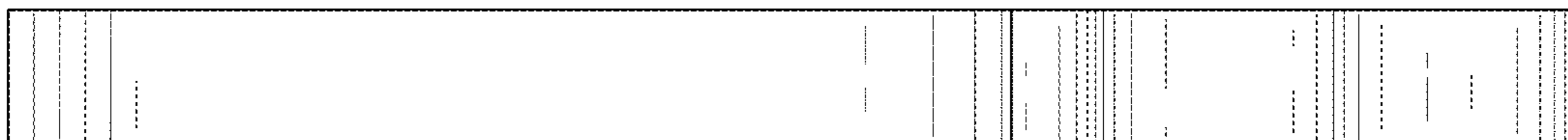


FIG. 6