



US00D772817S

(12) **United States Design Patent**
Lunjevich

(10) **Patent No.:** **US D772,817 S**

(45) **Date of Patent:** **** Nov. 29, 2016**

- (54) **RECESSED MEDIA HUB**
- (71) Applicant: **Premaco Limited**, Auckland (NZ)
- (72) Inventor: **Lance Jacob Lunjevich**, Auckland (NZ)
- (73) Assignee: **PREMACO LIMITED** (NZ)
- (**) Term: **14 Years**
- (21) Appl. No.: **29/518,922**
- (22) Filed: **Feb. 27, 2015**
- (51) **LOC (10) Cl.** **13-03**
- (52) **U.S. Cl.**
USPC **D13/152; D8/353**
- (58) **Field of Classification Search**
USPC D14/299; D8/353; D13/151, 152, 154,
D13/156, 110, 147, 139.7, 137.1, 137.2,
D13/137.3; 174/53, 57, 48, 485; 439/535;
220/3.8
CPC H01R 25/00; H02G 3/10; H02G 3/12;
H02G 3/08
See application file for complete search history.

(56) **References Cited**

U.S. PATENT DOCUMENTS

- 2,268,090 A * 12/1941 Windsor H02G 3/16
174/53
- 3,023,265 A * 2/1962 Fork H02G 3/185
174/485
- 3,027,416 A * 3/1962 Kissel H02G 3/185
174/57
- 3,176,651 A * 4/1965 Phillips B05C 11/041
118/259
- 3,803,341 A * 4/1974 Klinkman H02G 3/185
174/483
- 4,010,314 A * 3/1977 Kohaut H02G 3/283
174/483
- 4,295,018 A * 10/1981 Borrelli H02B 1/056
174/53

- 4,323,723 A * 4/1982 Fork H02G 3/185
174/484
- 4,338,484 A * 7/1982 Littrell H02G 3/283
174/482
- 4,454,692 A * 6/1984 Ault E04B 5/40
174/486
- 4,496,790 A * 1/1985 Spencer H02G 3/22
174/484
- D277,846 S * 3/1985 McLaughlin D13/151
- 4,507,900 A * 4/1985 Landis E04B 5/48
174/484

(Continued)

Primary Examiner — Paula Greene

(74) *Attorney, Agent, or Firm* — Lowe Graham Jones
PLLC

(57) **CLAIM**

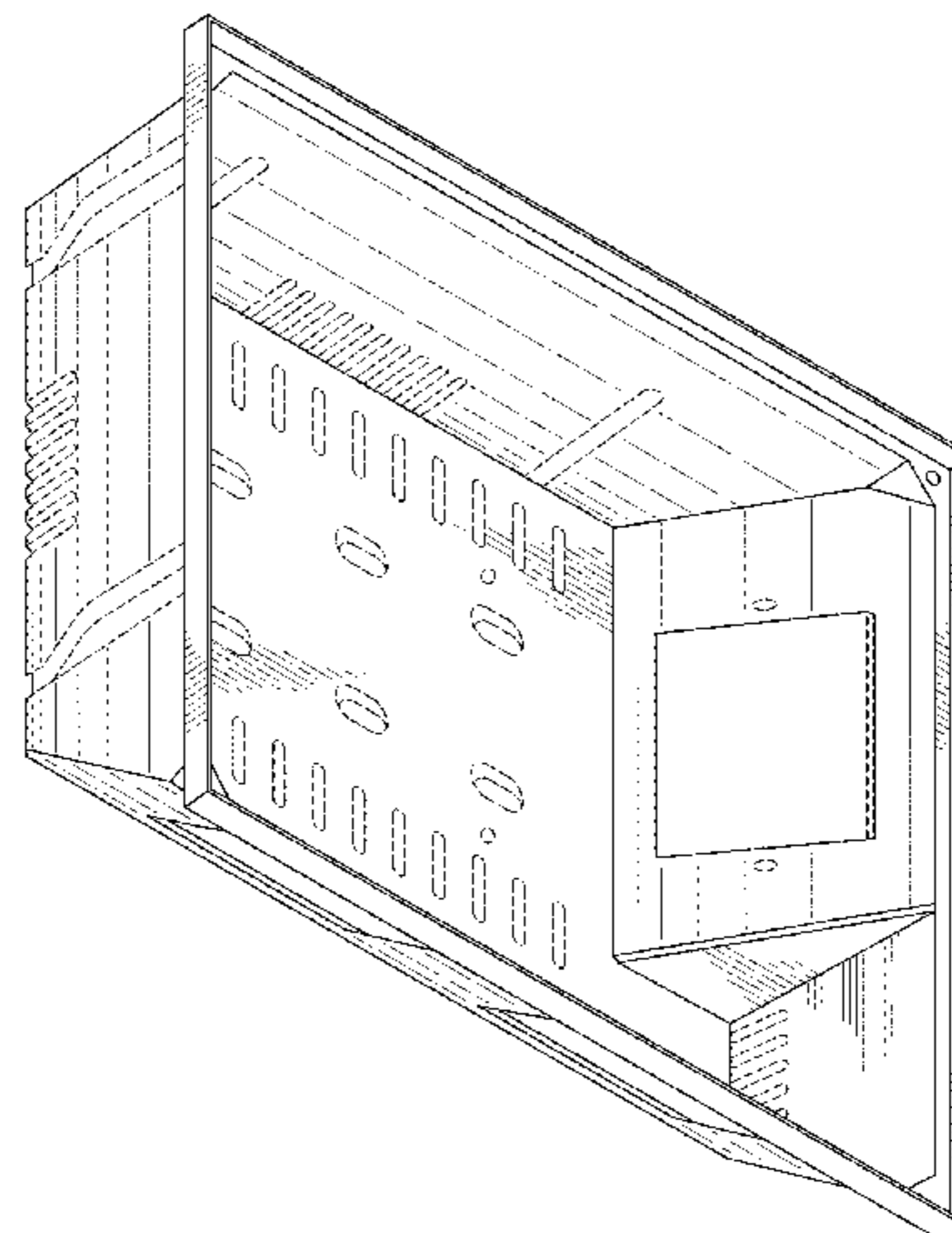
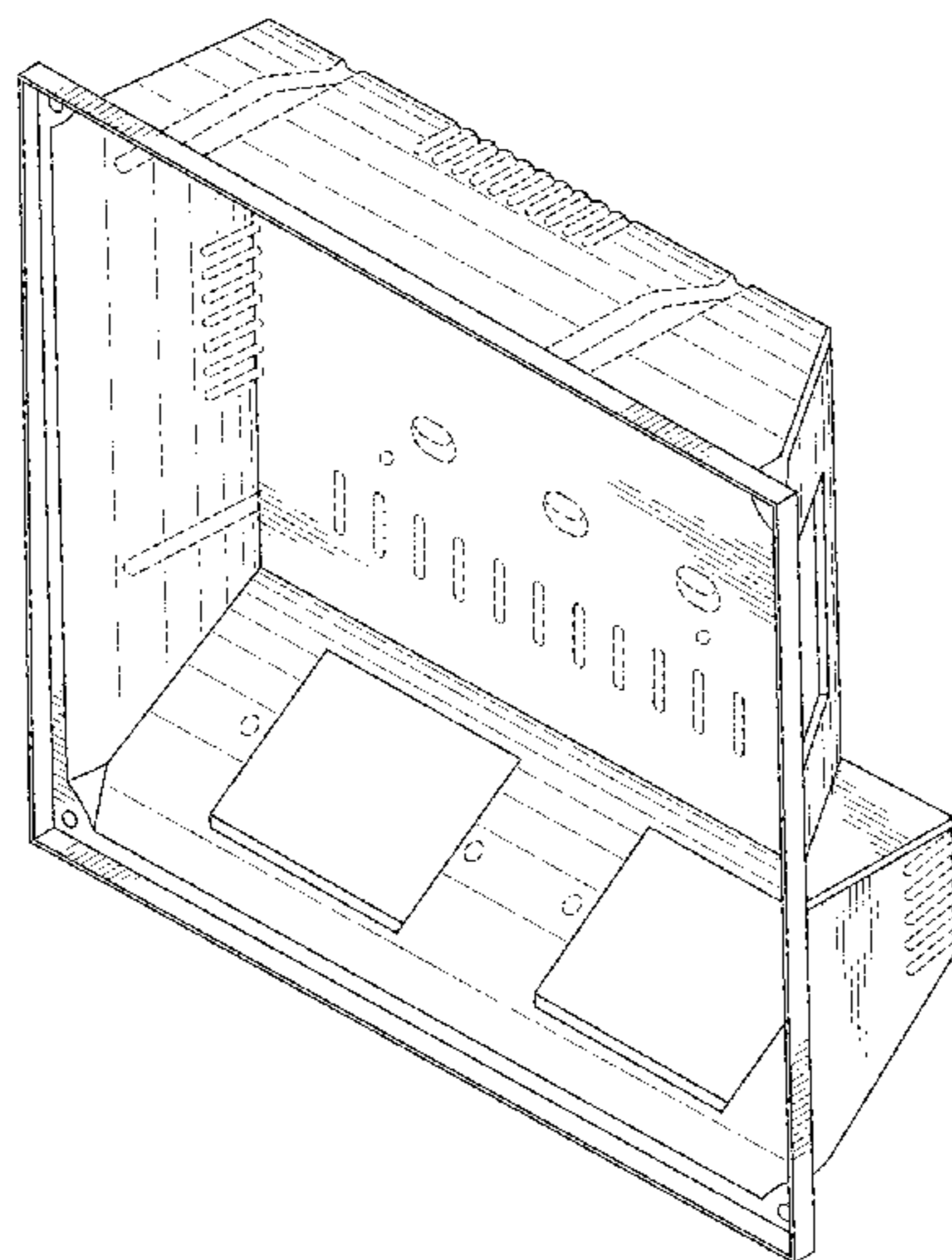
I claim the ornamental design for the recessed media hub, as shown and described.

DESCRIPTION

FIG. 1 is a left side view of the recessed media hub, showing my new design.
 FIG. 2 is a top plan view of the recessed media hub.
 FIG. 3 is a front view of the recessed media hub.
 FIG. 4 is a bottom view of the recessed media hub.
 FIG. 5 is a right side view of the recessed media hub.
 FIG. 6 is a back view of the recessed media hub.
 FIG. 7 is a top left perspective view of the recessed media hub.
 FIG. 8 is a top right perspective view of the recessed media hub.
 FIG. 9 is a bottom left perspective view of the recessed media hub; and,
 FIG. 10 is a bottom right perspective view of the recessed media hub.

The broken lines immediately adjacent the shaded areas represent the bounds of the claimed design while all other broken lines are directed to environment and are for illustrative purposes only the broken lines form no part of the claimed invention.

1 Claim, 10 Drawing Sheets



(56)

References Cited

U.S. PATENT DOCUMENTS

4,724,281 A * 2/1988 Nix H02G 3/123
174/53
4,967,041 A * 10/1990 Bowman H02G 3/185
174/135
5,084,596 A * 1/1992 Borsh H02G 3/18
174/53
5,122,069 A * 6/1992 Brownlie G02B 6/4451
174/53
5,195,288 A * 3/1993 Penczak H02G 3/185
174/490
5,340,326 A * 8/1994 LeMaster H01R 25/00
439/207
D354,671 S * 1/1995 Penczak D8/350
5,516,298 A * 5/1996 Smith A47B 21/06
439/131
5,556,289 A * 9/1996 Holbrook, Jr. H01R 13/447
174/67
D399,829 S * 10/1998 Reed D13/156
D405,421 S * 2/1999 Tennefoss D13/152
D411,734 S * 6/1999 Hsiang D13/154
6,042,426 A * 3/2000 Byrne H01R 25/00
439/131

6,194,657 B1 * 2/2001 Gretz H02G 3/123
174/53
D447,745 S * 9/2001 Lee D14/299
D466,086 S * 11/2002 Metcalf D13/152
D467,874 S * 12/2002 Rupert D13/139.4
6,723,922 B1 * 4/2004 Shotey H02G 3/14
174/66
D493,426 S * 7/2004 Strayer D13/139.4
D495,301 S * 8/2004 Newell D13/152
7,126,059 B2 * 10/2006 Dinh H02G 3/185
174/66
D559,789 S * 1/2008 Dinh D13/152
D598,392 S * 8/2009 Vigorito D13/152
D658,588 S * 5/2012 Justice D13/156
8,772,649 B1 * 7/2014 Gretz H02G 3/123
174/480
D721,041 S * 1/2015 Badowski D13/152
2002/0185295 A1 * 12/2002 Metcalf A47B 21/06
174/53
2003/0178421 A1 * 9/2003 Almond H02G 3/383
220/3.8
2004/0238197 A1 * 12/2004 Gates, II H01R 25/006
174/53
2006/0285278 A1 * 12/2006 Tankersley H01R 11/26
361/600

* cited by examiner

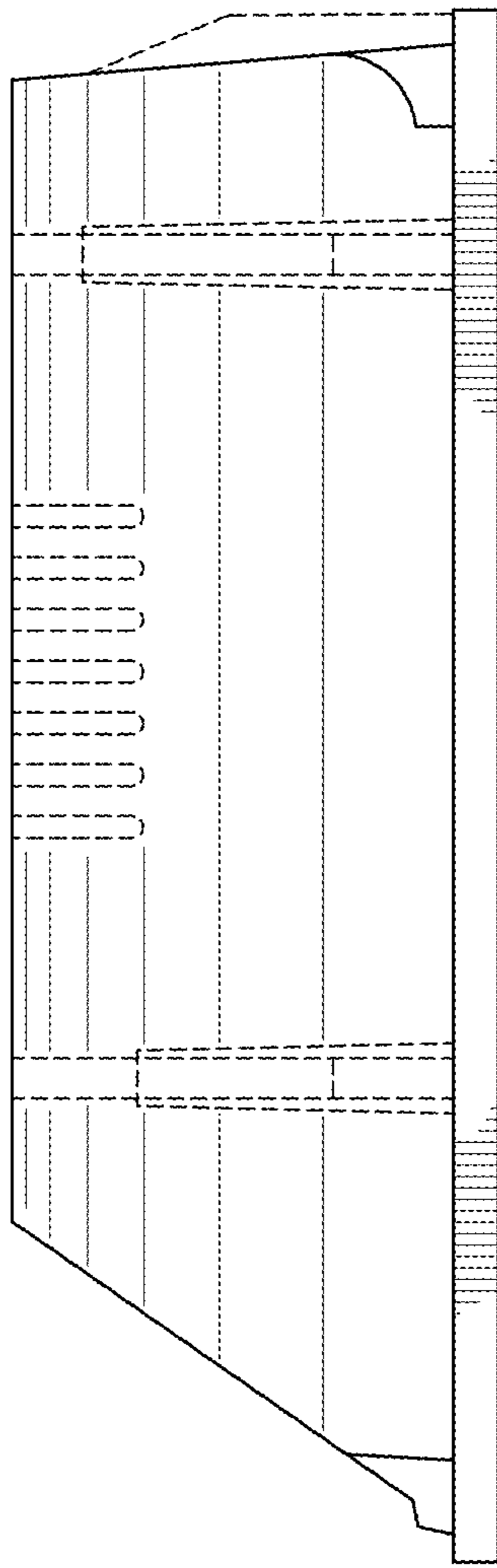


FIG. 1

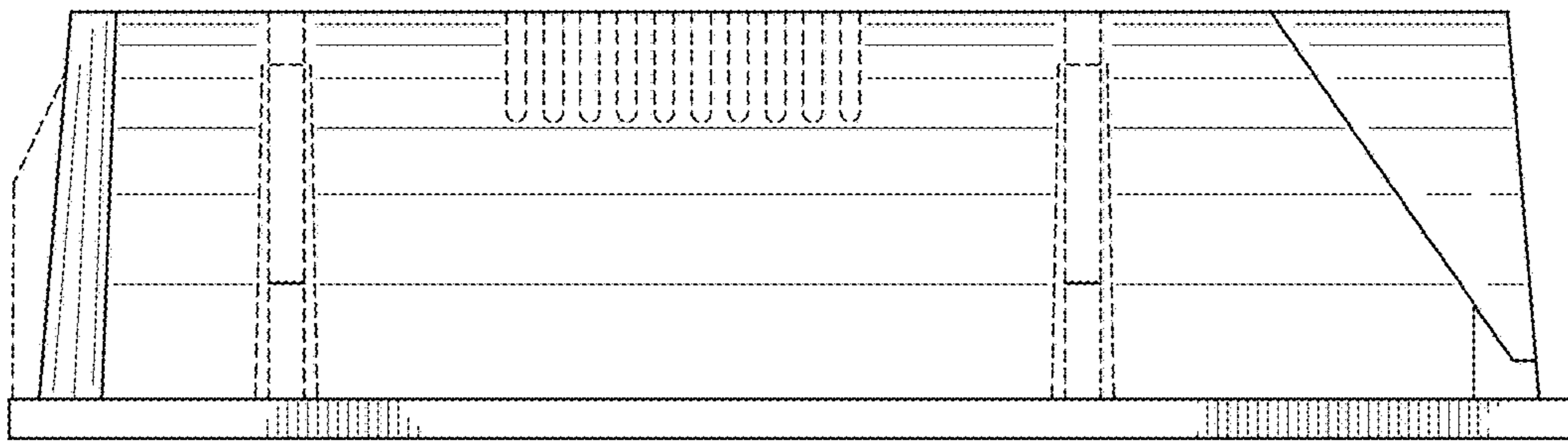


FIG.2

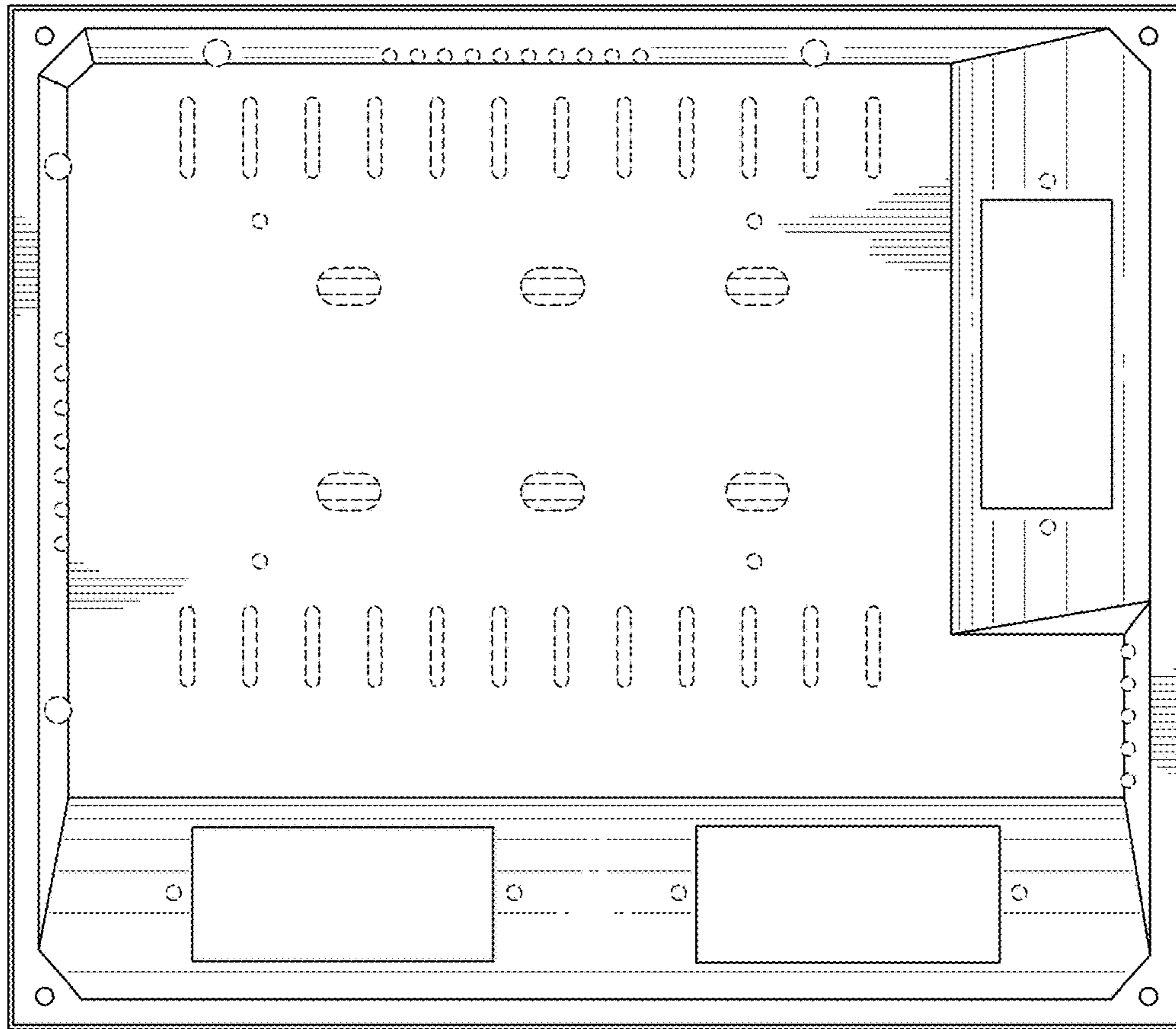


FIG.3

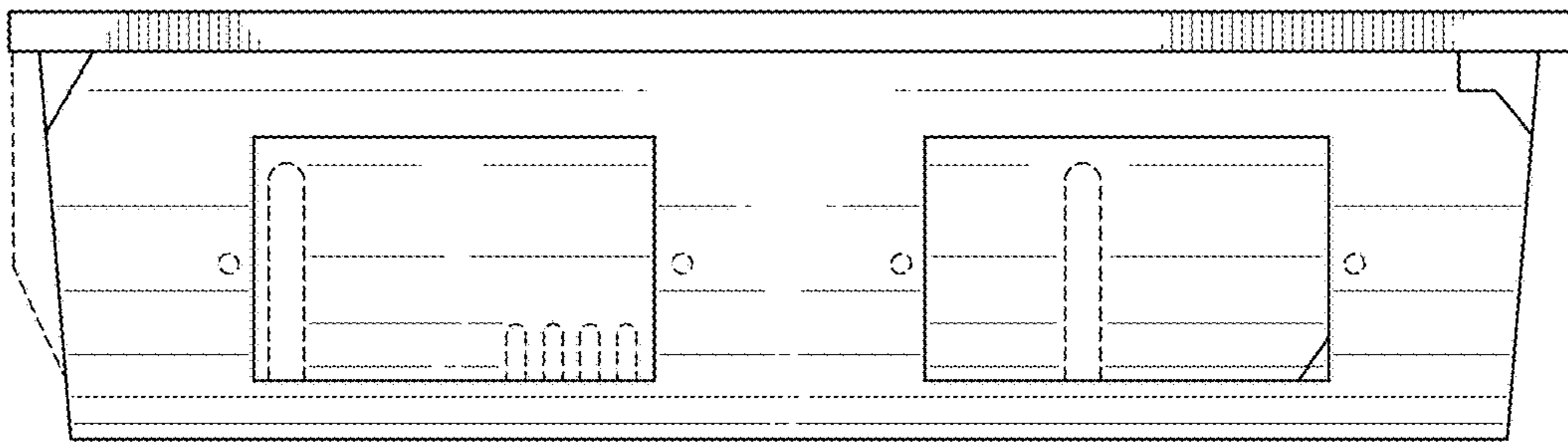


FIG.4

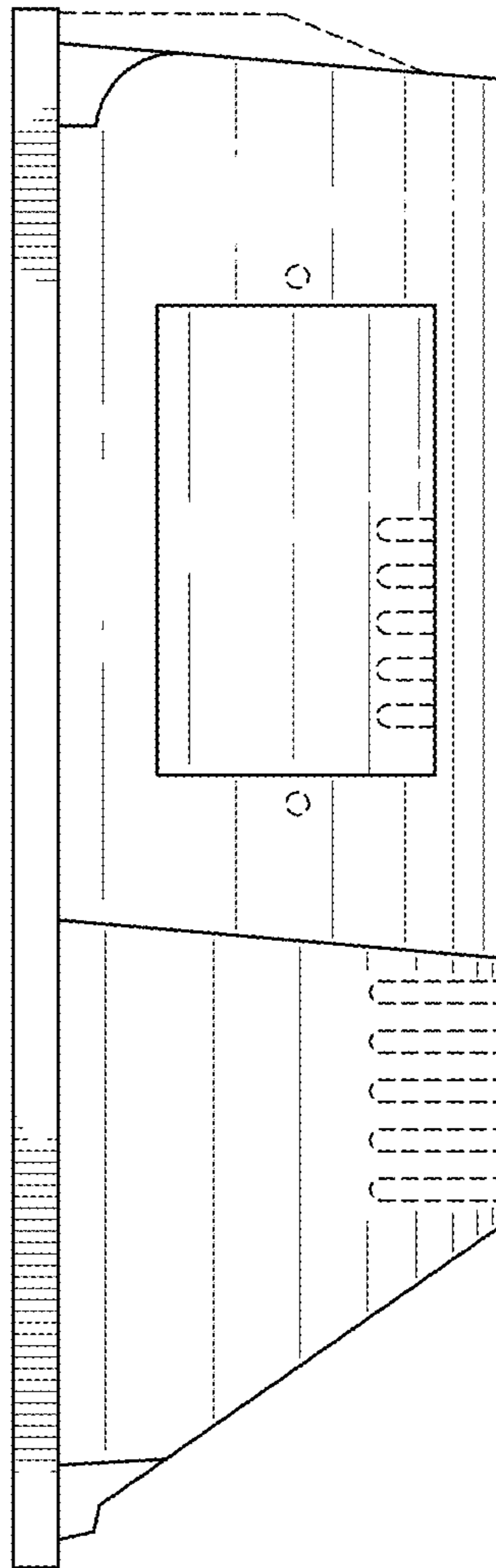


FIG. 5

REPLACEMENT SHEET

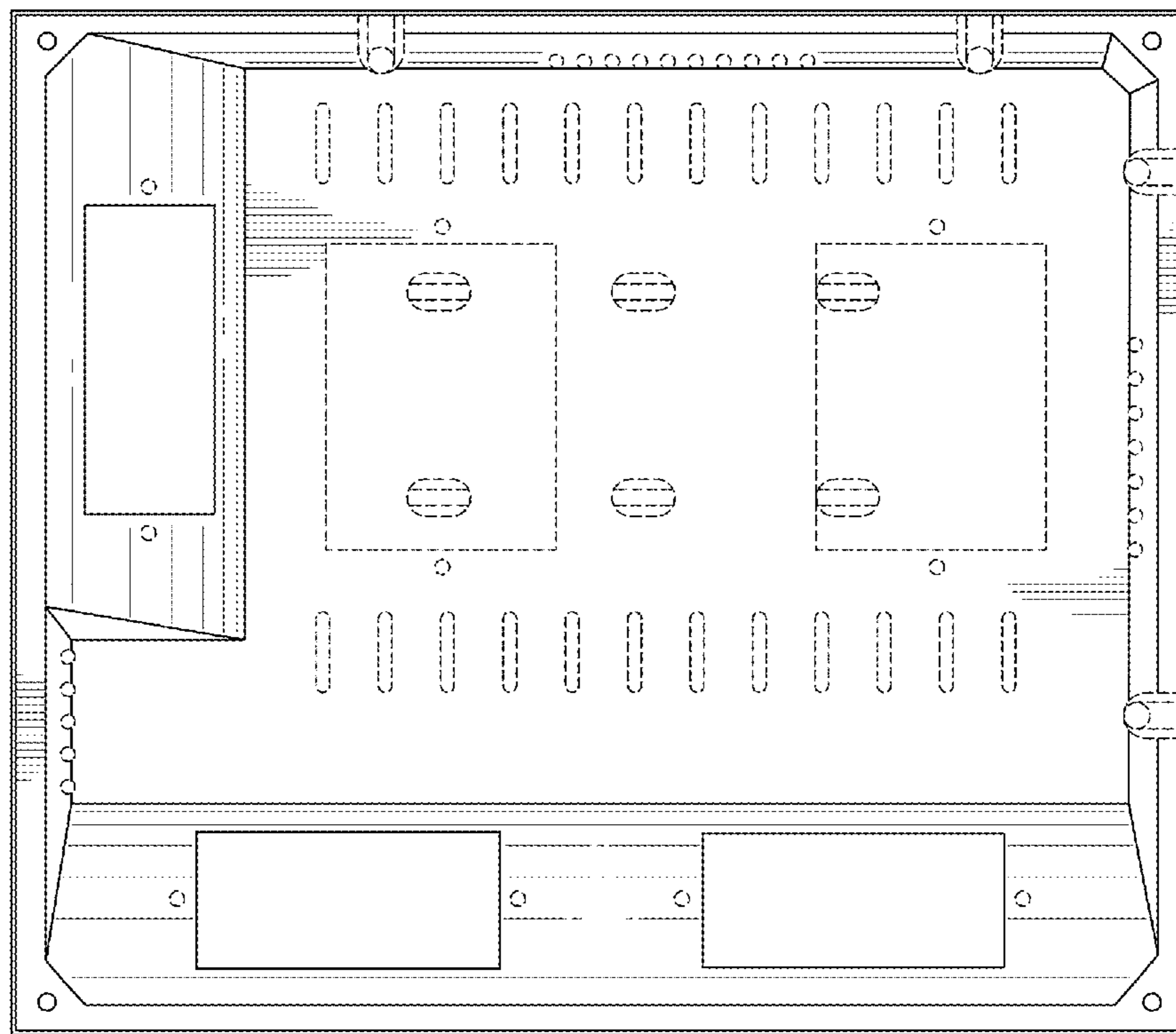


FIG.6

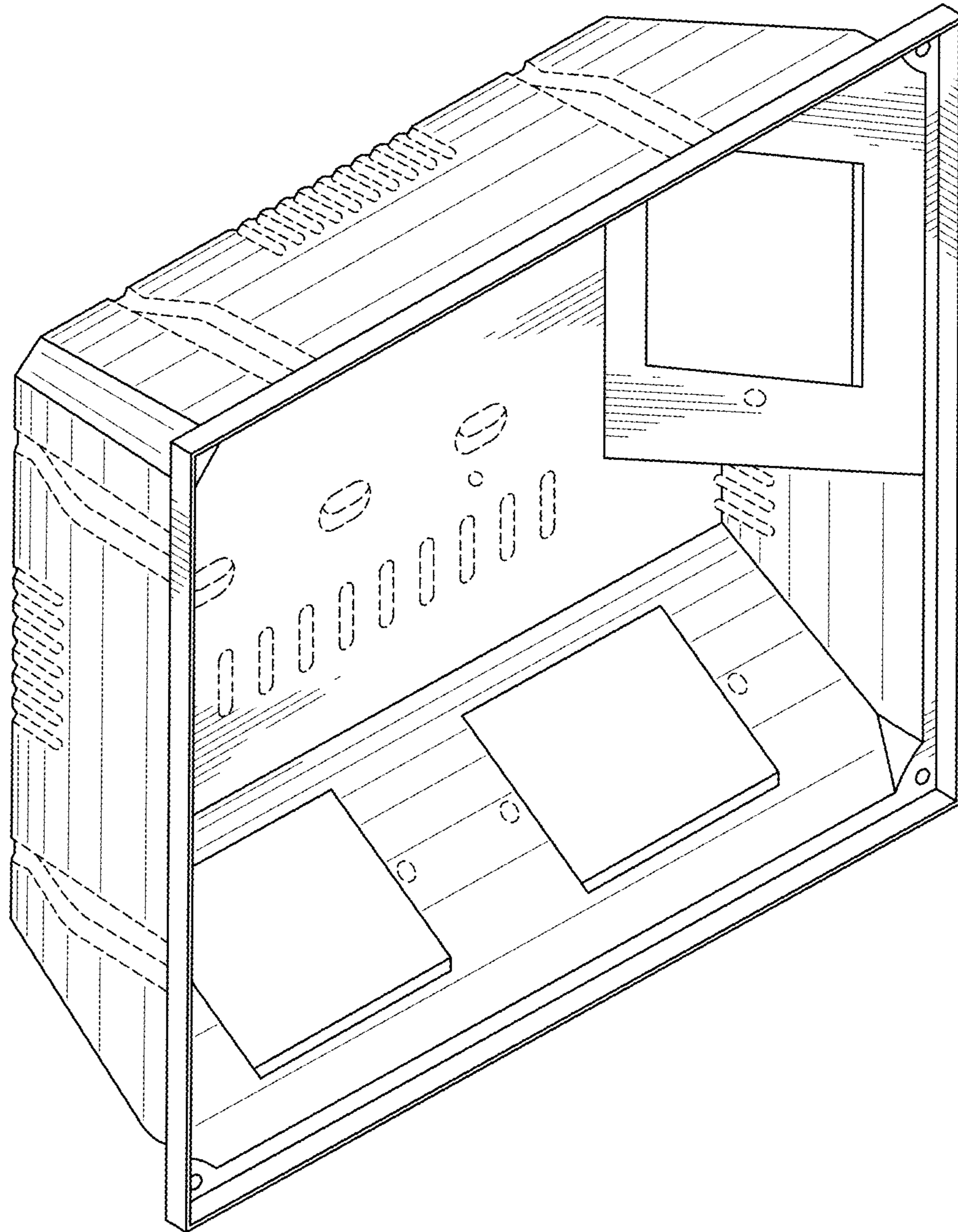


FIG. 7

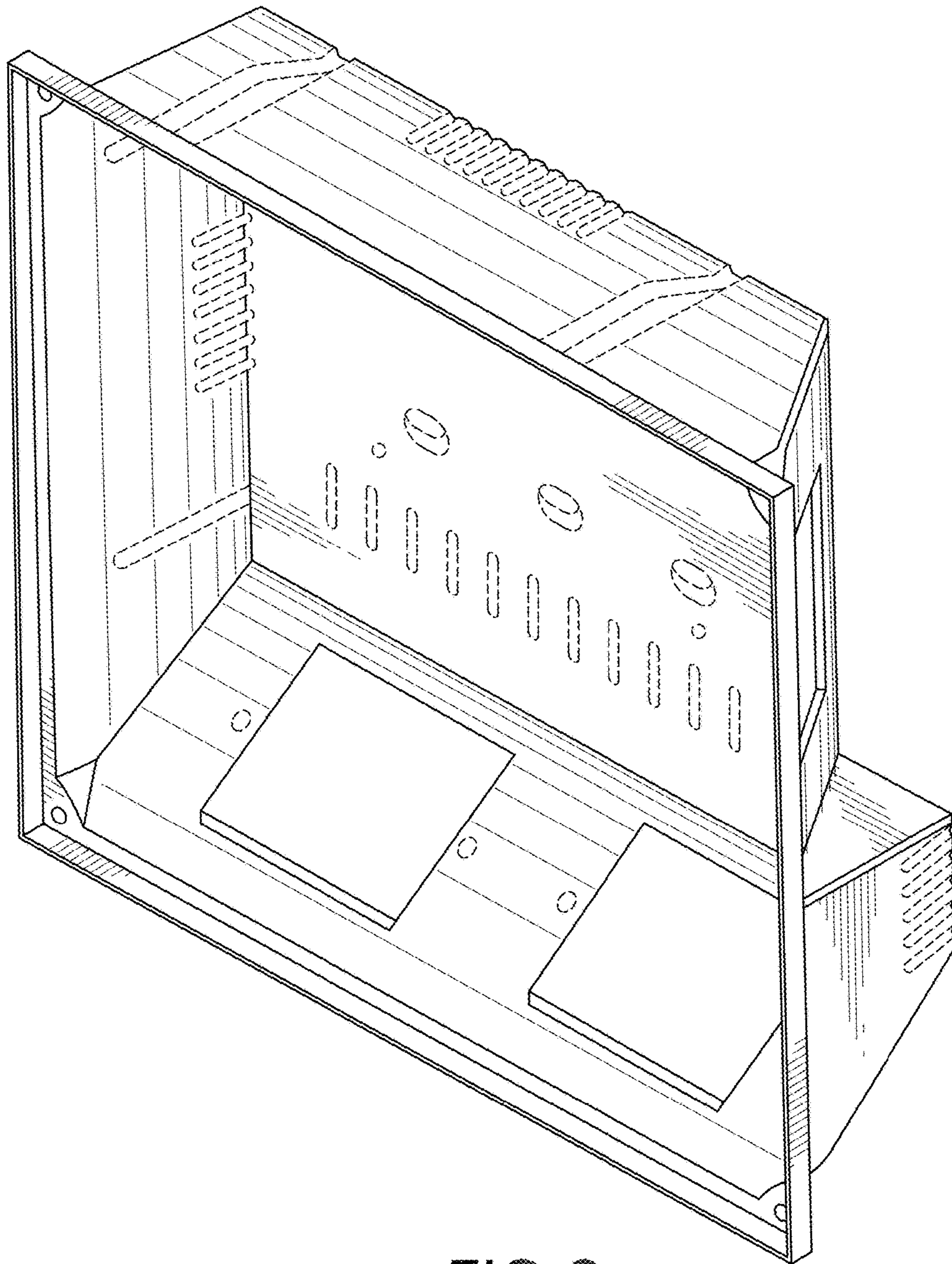


FIG. 8

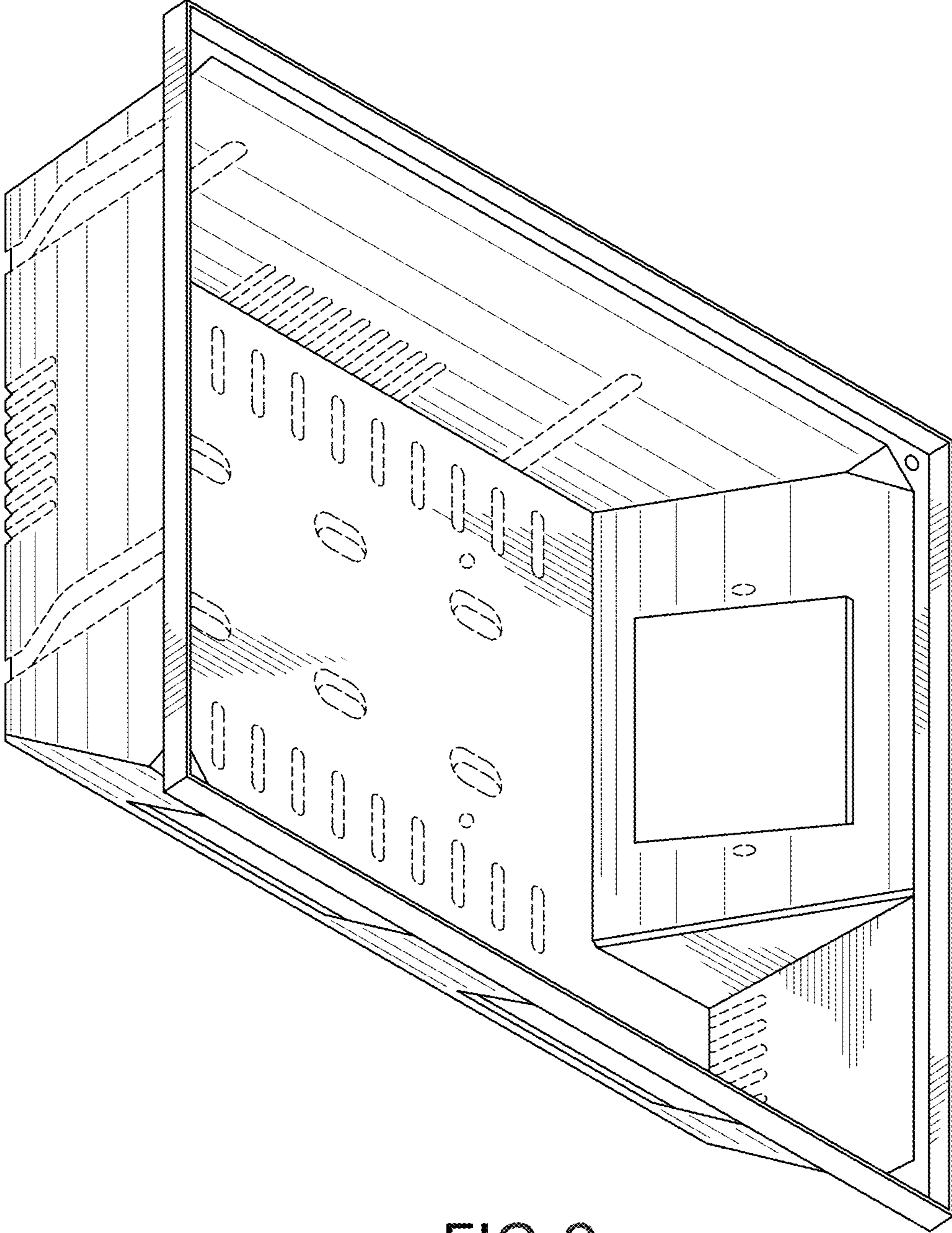


FIG. 9

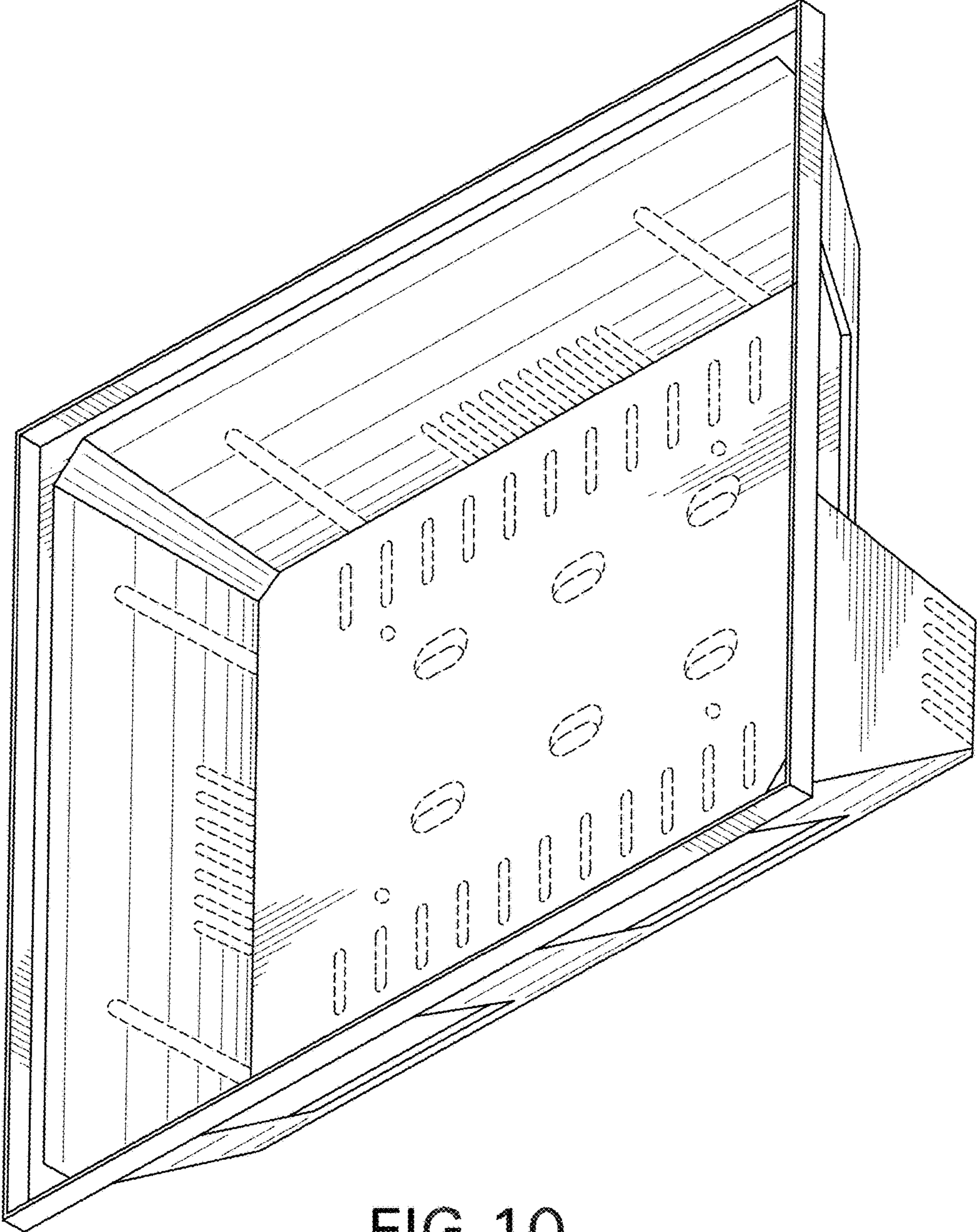


FIG. 10