



US00D772815S

(12) **United States Design Patent**
Chen et al.

(10) **Patent No.:** **US D772,815 S**

(45) **Date of Patent:** **** Nov. 29, 2016**

(54) **BASE FOR A POWER SUPPLY**

(71) Applicant: **Sinpro Electronics Co., Ltd.**, Pingtung,
Pingtung County (TW)

(72) Inventors: **Chih-Ming Chen**, Pingtung (TW);
Han-Liang Li, Pingtung (TW);
Tsung-Yu Lin, Pingtung (TW);
Hui-Ling Hsieh, Pingtung (TW)

(73) Assignee: **Sinpro Electronics Co., Ltd.**, Pingtung
(TW)

(**) Term: **15 Years**

(21) Appl. No.: **29/545,943**

(22) Filed: **Nov. 17, 2015**

(51) **LOC (10) Cl.** **13-02**

(52) **U.S. Cl.**
USPC **D13/118; D13/156**

(58) **Field of Classification Search**
USPC D13/110, 123, 133, 137.1, 139.1, 139.4,
D13/152, 154, 155, 156, 158, 162, 164, 173,
D13/177, 184; D8/349-351, 353; 174/67,
174/66; D10/49; 439/147-149, 373, 391,
439/535, 536, 538; 220/241, 242; 361/600,
361/707, 752
CPC .. H05K 5/0013; H05K 5/006; H05K 5/0073;
H05K 7/1417

See application file for complete search history.

(56) **References Cited**

U.S. PATENT DOCUMENTS

D199,397 S	*	10/1964	Foster, Jr.	D13/152
D245,906 S	*	9/1977	Taylor	D13/152
D286,396 S	*	10/1986	Luciano	D13/179
D340,222 S	*	10/1993	Bedell	D13/110
D362,839 S	*	10/1995	Tamaki	D13/110

D409,144 S	*	5/1999	Brandt	D13/133
D637,976 S	*	5/2011	Nurmi	D13/155
D703,619 S	*	4/2014	Wilkins, III	D13/156
D745,853 S	*	12/2015	Andresen	D13/184
D758,979 S	*	6/2016	Moon	D13/184
2001/0028555	A1*	10/2001	Takeuchi	H05K 7/1417 361/752
2003/0058626	A1*	3/2003	Stockhaus	H05K 5/0013 361/752
2010/0253188	A1*	10/2010	Koyama	H05K 5/0073 312/223.1
2015/0289399	A1*	10/2015	Liao	H05K 7/1417 361/747

* cited by examiner

Primary Examiner — Derrick Holland

Assistant Examiner — Jennifer O King

(74) *Attorney, Agent, or Firm* — C. G. Mersereau;
Nikolai & Mersereau, P.A.

(57) **CLAIM**

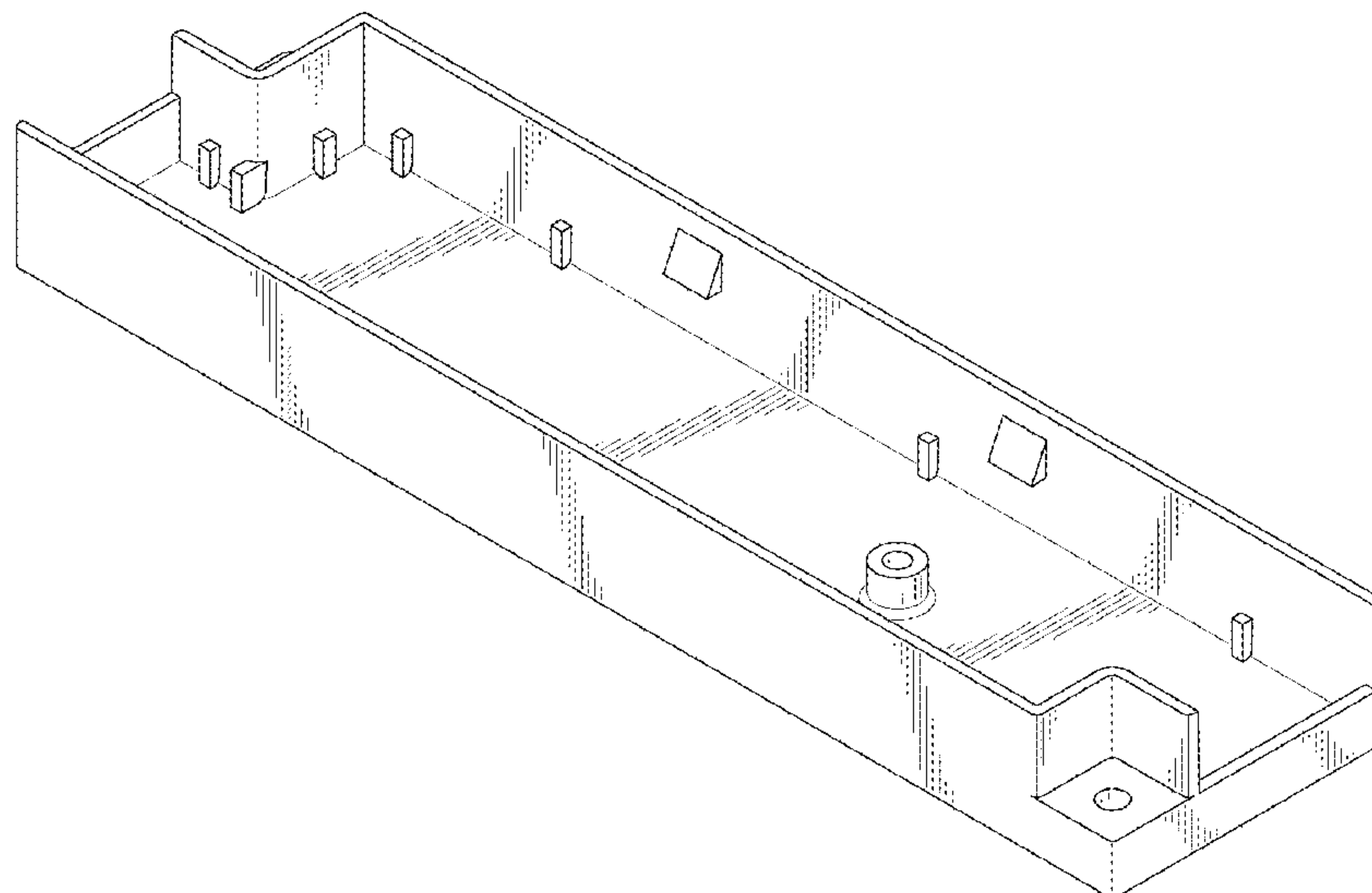
The ornamental design for a base for a power supply, as shown and described.

DESCRIPTION

FIG. 1 is a perspective view of a base for a power supply showing our new design;
FIG. 2 is a front view thereof;
FIG. 3 is a rear view thereof;
FIG. 4 is a left side view thereof;
FIG. 5 is a right side view thereof;
FIG. 6 is a top view thereof;
FIG. 7 is a bottom view thereof;
FIG. 8 is another perspective view thereof; and,
FIG. 9 is a perspective view thereof, shown in environmental use.

The broken lines shown represent unclaimed subject matter and form no part of the claimed design.

1 Claim, 7 Drawing Sheets



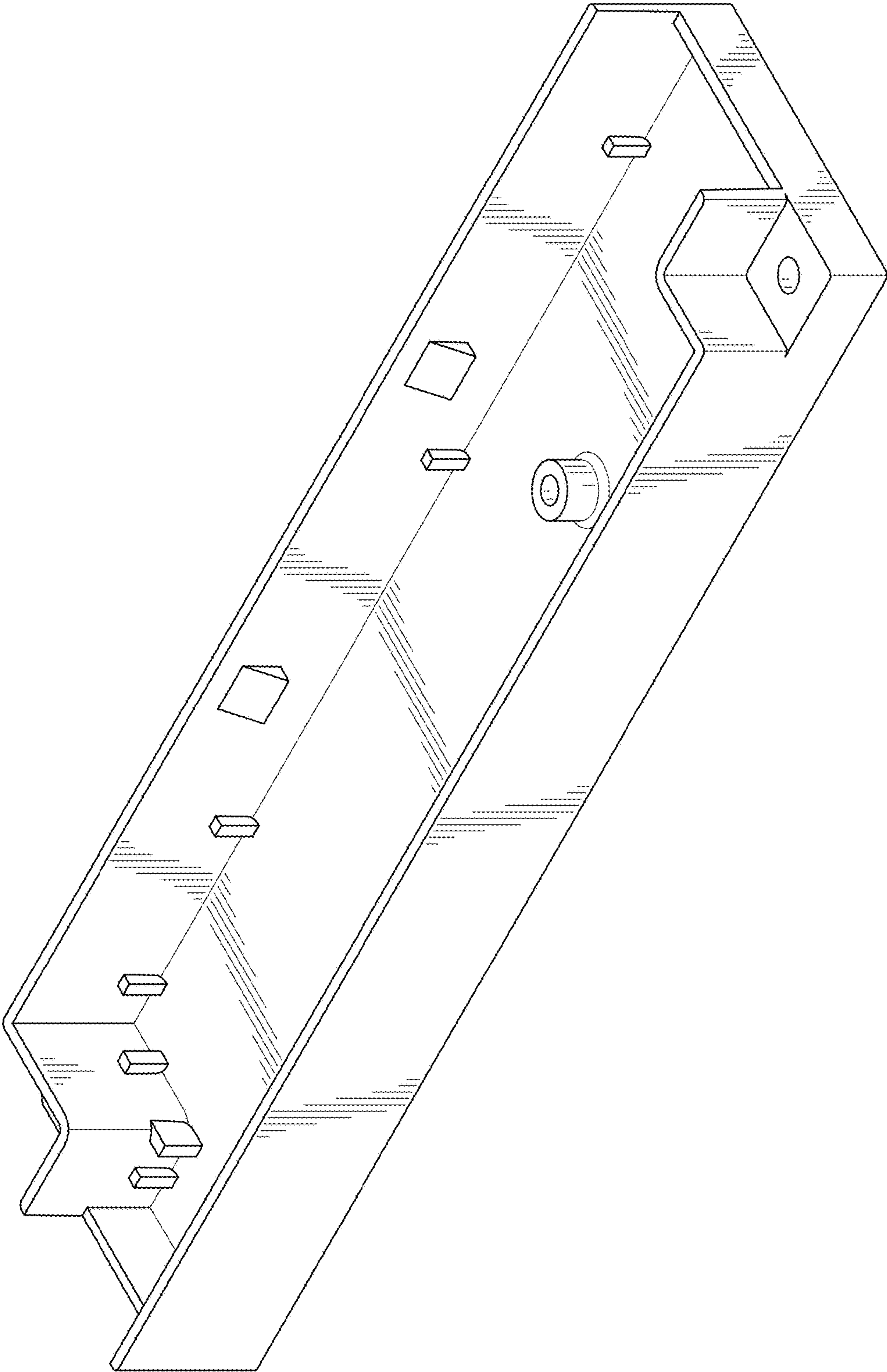


FIG.1

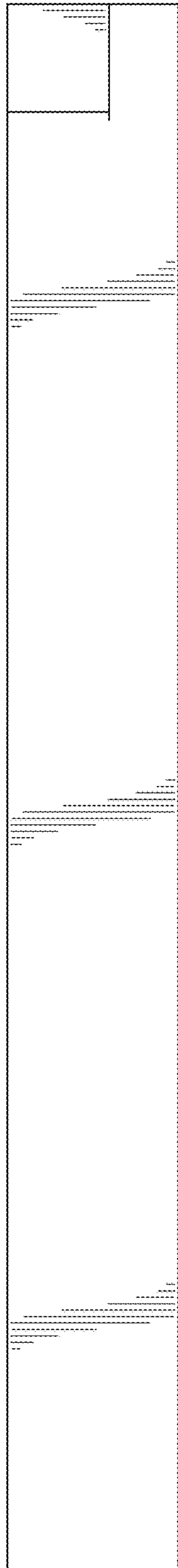


FIG. 2

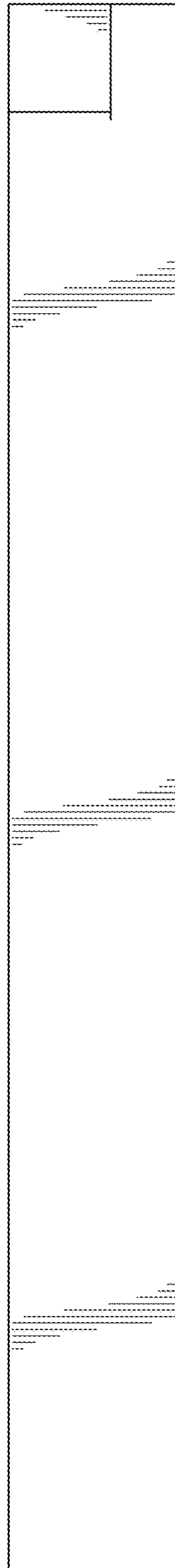


FIG. 3

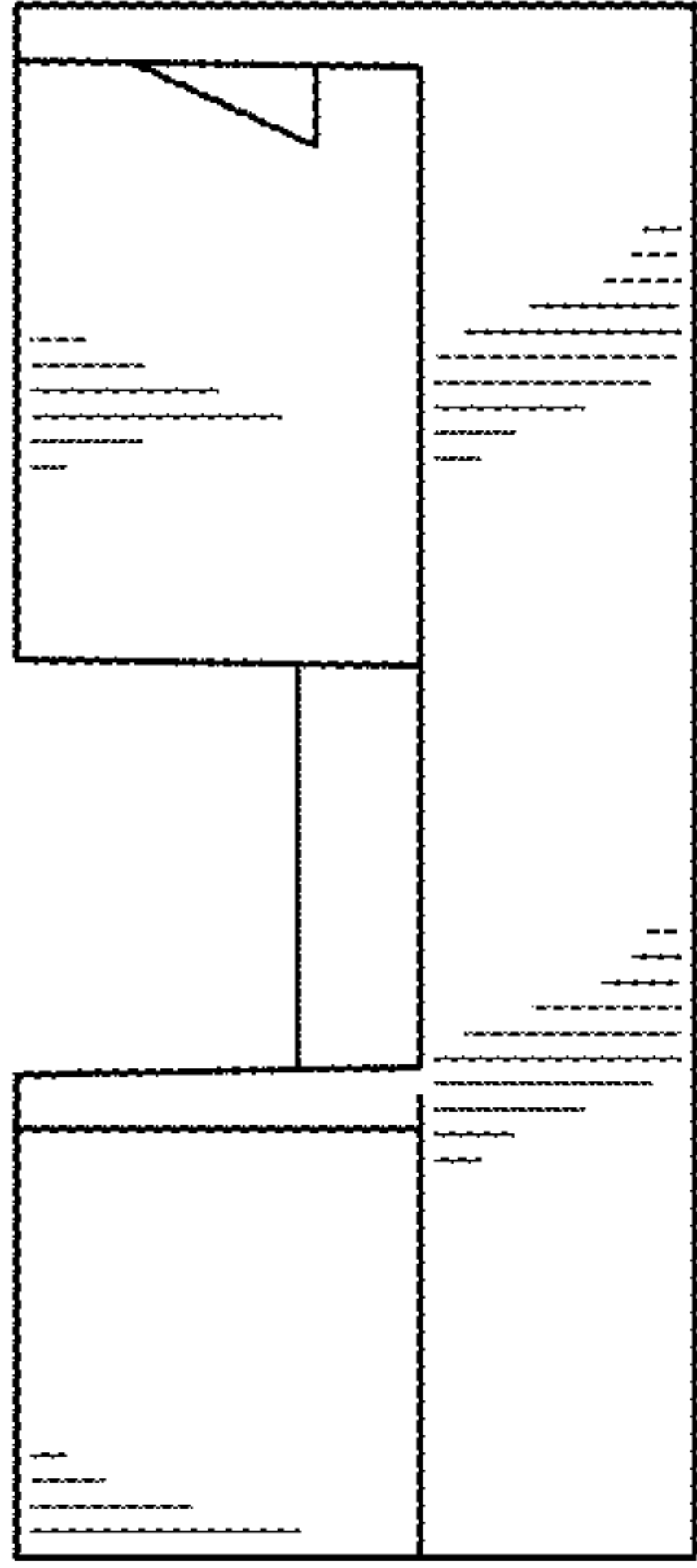


FIG.4

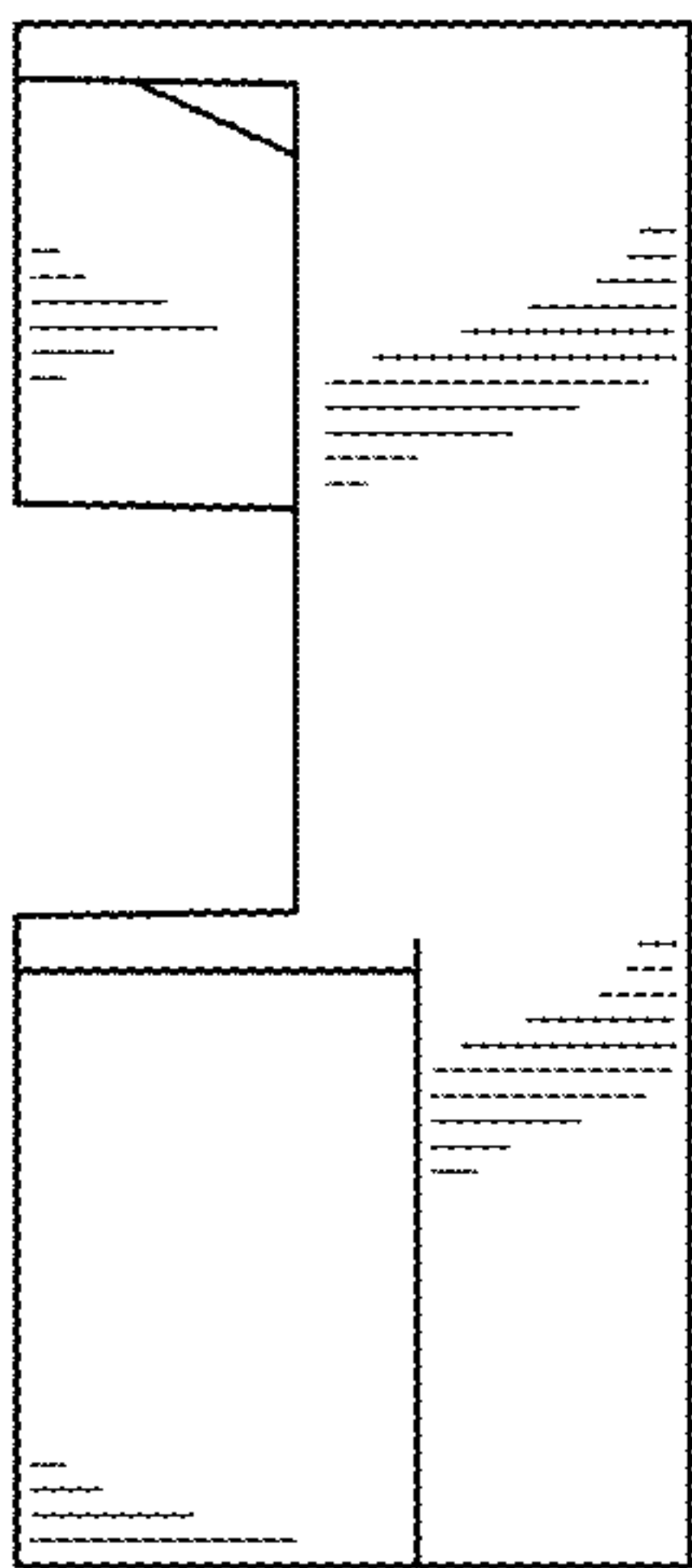


FIG.5

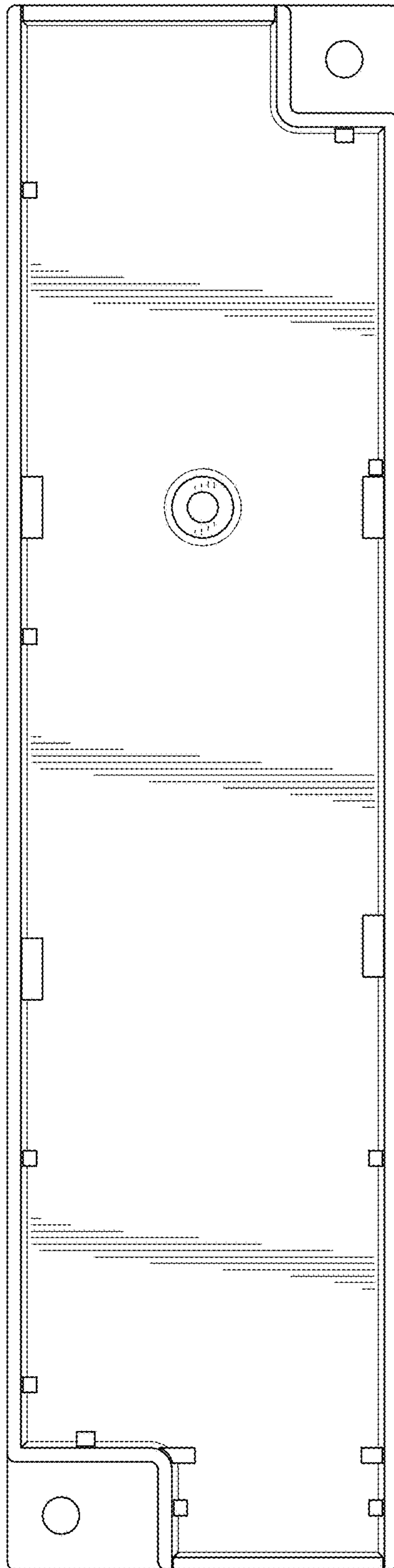


FIG.6

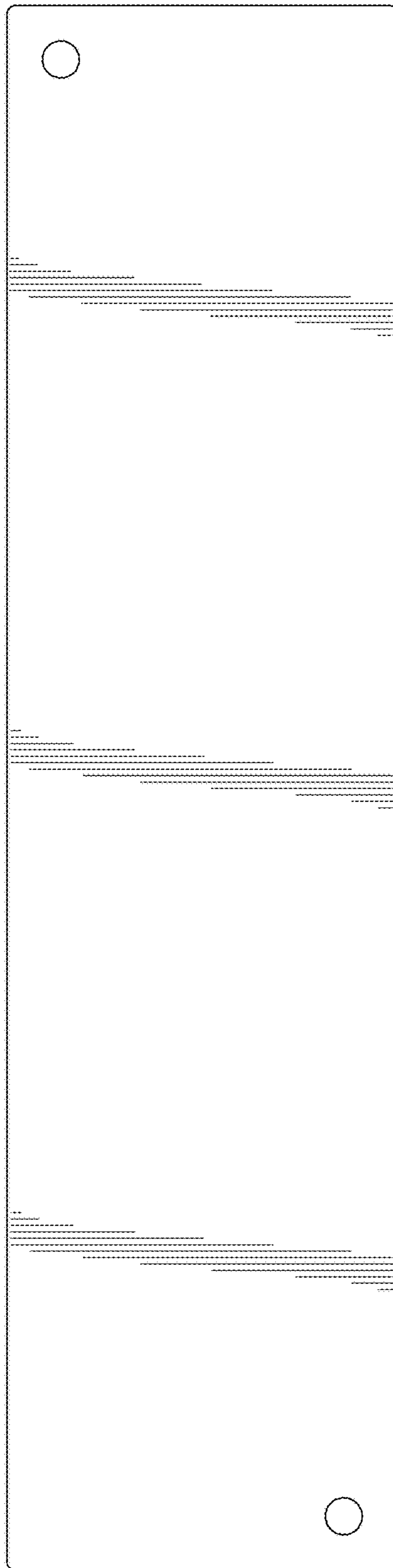


FIG. 7

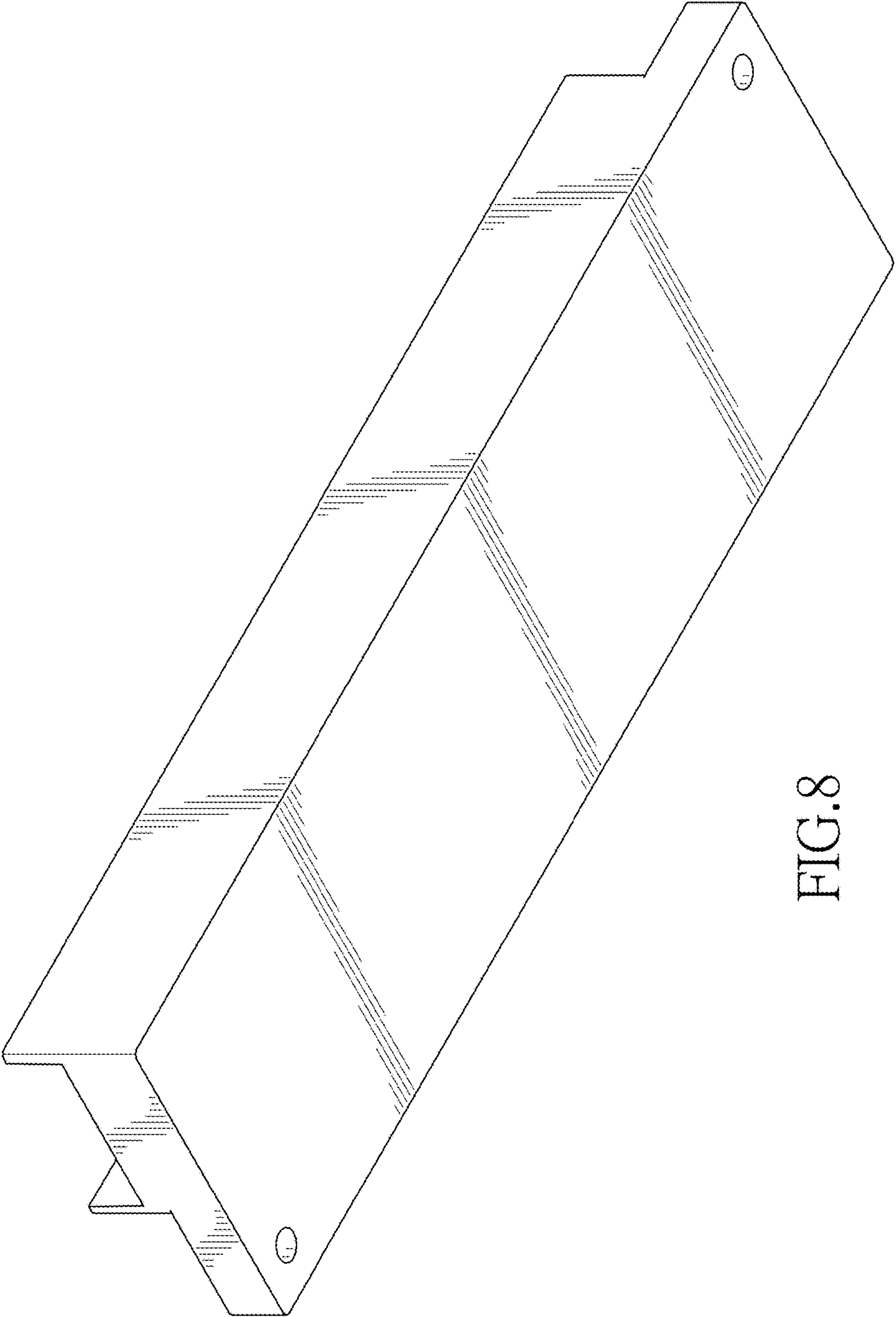


FIG.8

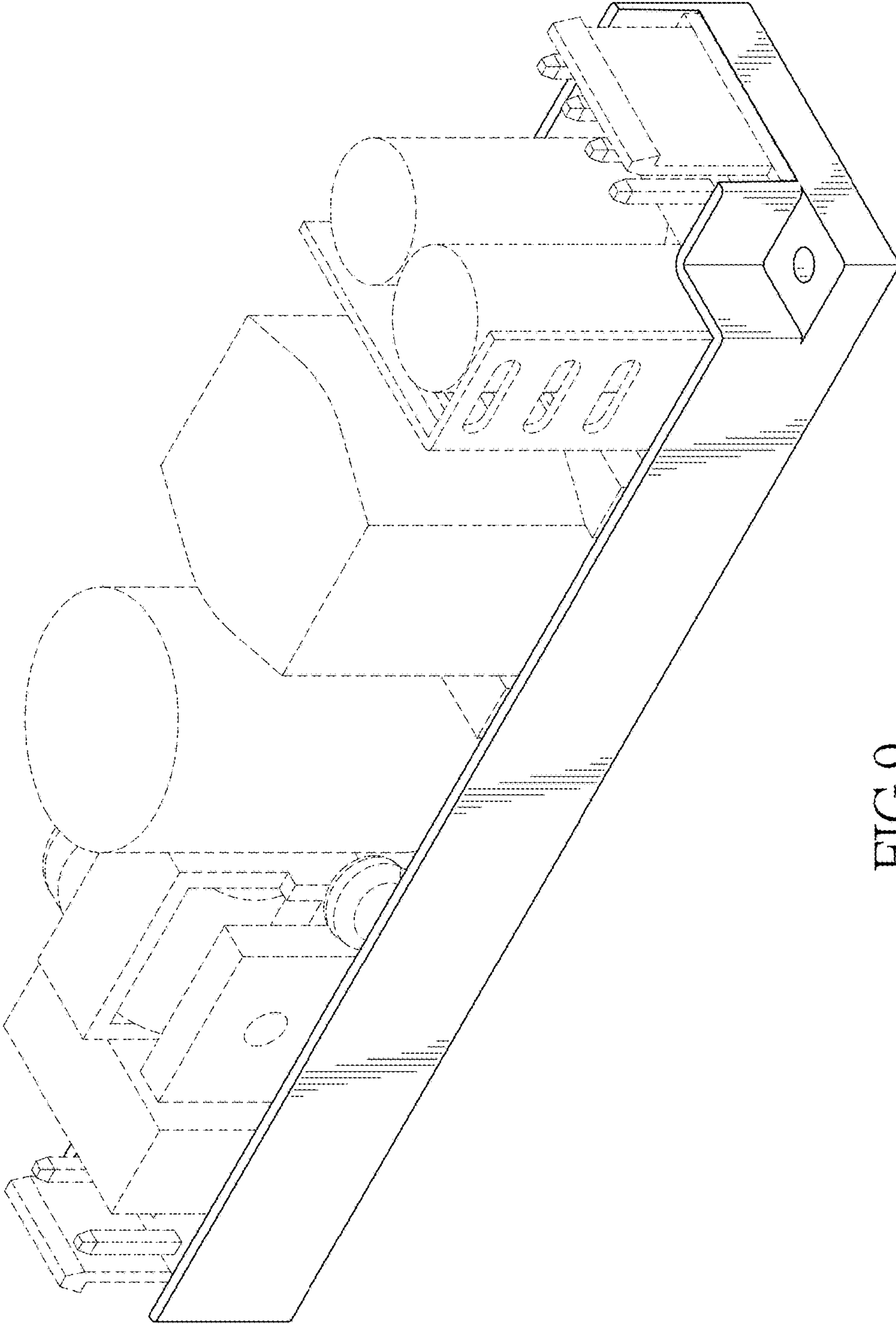


FIG.9