



US00D772813S

(12) **United States Design Patent** (10) **Patent No.:** **US D772,813 S**
Wahl (45) **Date of Patent:** **** Nov. 29, 2016**

(54) **WIRELESS CHARGING PAD**
(71) Applicant: **Inter IKEA Systems B.V.**, Delft (NL)
(72) Inventor: **David Wahl**, Stockholm (SE)
(73) Assignee: **INTER IKEA SYSTEMS B.V.** (NL)
(**) Term: **15 Years**
(21) Appl. No.: **29/528,906**
(22) Filed: **Jun. 2, 2015**

(30) **Foreign Application Priority Data**

Dec. 4, 2014 (EM) 002589234

(51) **LOC (10) Cl.** **13-02**
(52) **U.S. Cl.**
USPC **D13/108**

(58) **Field of Classification Search**
USPC D13/107-110, 118-119, 184; D14/251,
D14/253, 432, 434; D26/62, 51
CPC Y02E 60/12; Y02T 90/14; Y02T 90/122;
Y02T 90/128; Y02T 90/163; H02J 7/025;
H02J 7/0042; H02J 7/044; H02J 7/045;
H02J 7/0003; H01F 38/14; H01R 13/6675;
H01M 2/1022; H01M 2/1055; H01M 10/44;
H01M 10/46; H01M 10/425; B60L 11/182
See application file for complete search history.

(56) **References Cited**

U.S. PATENT DOCUMENTS

D620,884 S * 8/2010 Lee D13/108
D625,262 S * 10/2010 Lee D13/118
D636,724 S * 4/2011 Nomi D13/108
D654,431 S * 2/2012 Stephanchick D13/108
D654,866 S * 2/2012 Rautiainen D13/108
D668,605 S * 10/2012 Park D13/108
D694,182 S * 11/2013 Lee D13/108
D694,707 S * 12/2013 Zeng D13/108
D696,190 S * 12/2013 Brandtman D13/108

D697,027 S * 1/2014 Ho D13/108
D718,233 S * 11/2014 Aumiller D13/108
D718,236 S * 11/2014 Murray D13/108
D719,146 S * 12/2014 Herbst D14/253
D720,288 S * 12/2014 Ko D13/108
D720,289 S * 12/2014 Chiang D13/108
D725,034 S * 3/2015 Chen D13/108
D727,260 S * 4/2015 Aumiller D13/108
D735,131 S * 7/2015 Akana D13/108
D737,760 S * 9/2015 Kyriakoulis D13/108
D738,303 S * 9/2015 Symons D13/108
D740,750 S * 10/2015 Mayden D13/108

(Continued)

Primary Examiner — Rosemary K Tarcza
Assistant Examiner — Nathaniel D Buckner
(74) *Attorney, Agent, or Firm* — Condo Roccia Koptiw
LLP

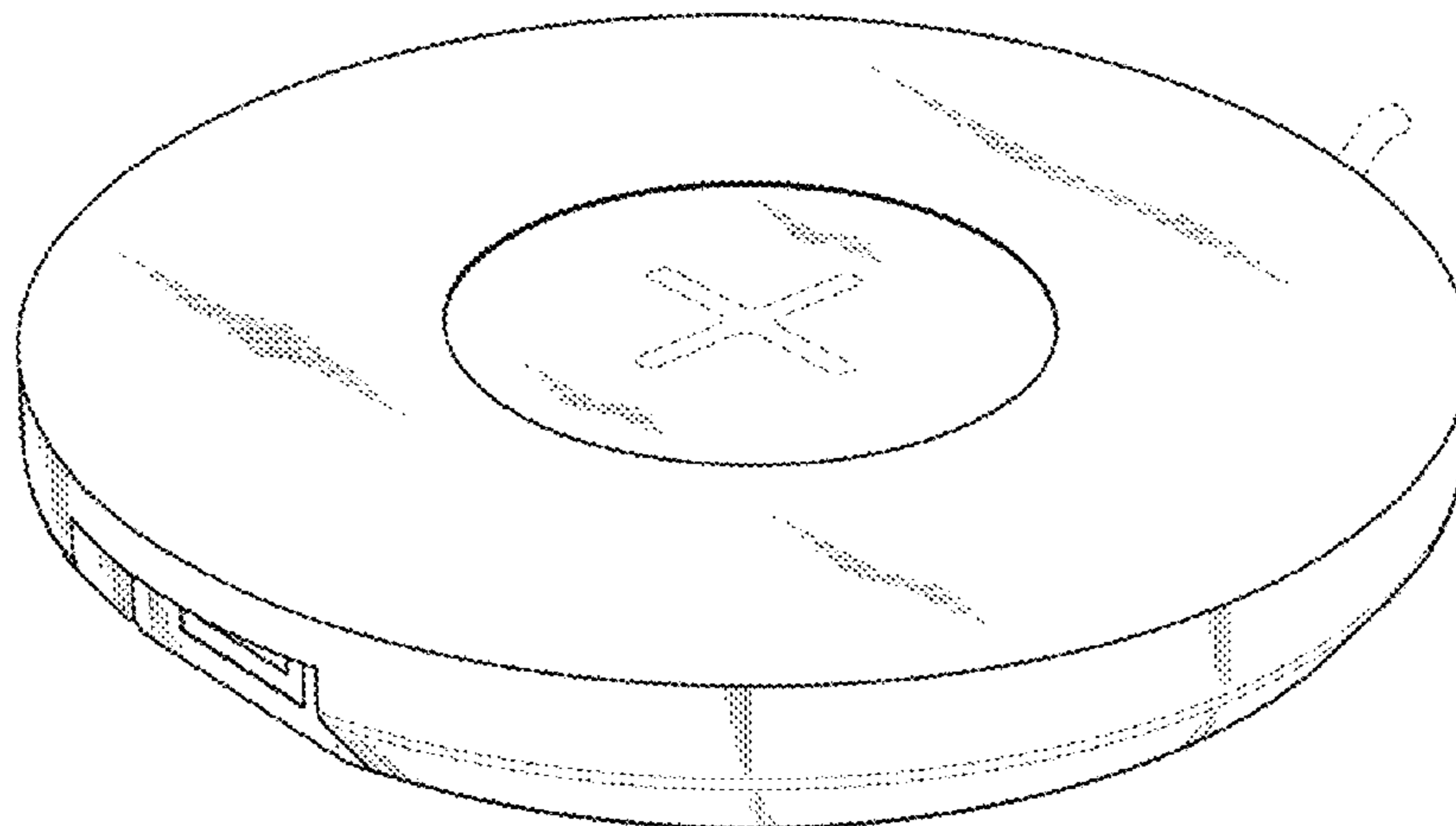
(57) **CLAIM**

The ornamental design for a wireless charging pad, as shown and described.

DESCRIPTION

FIG. 1 is a top right perspective view of a wireless charging pad showing my new design;
FIG. 2 is a bottom right perspective view of the wireless charging pad of FIG. 1;
FIG. 3 is a top view of the wireless charging pad of FIG. 1;
FIG. 4 is a first side view of the wireless charging pad of FIG. 1;
FIG. 5 is a bottom view of the wireless charging pad of FIG. 1;
FIG. 6 is a second side view of the wireless charging pad of FIG. 1;
FIG. 7 is a third side view of the wireless charging pad of FIG. 1; and,
FIG. 8 is a fourth side view of the wireless charging pad of FIG. 1.
The broken lines in the figures represent portions of the article which form no part of the claim.

1 Claim, 8 Drawing Sheets



US D772,813 S

Page 2

(56)

References Cited

U.S. PATENT DOCUMENTS

D741,256 S	*	10/2015	Murphy-Reinhertz	D13/108	D747,267 S	*	1/2016	Aumiller	D13/108
D742,823 S	*	11/2015	Nitz	D13/103	D748,575 S	*	2/2016	Bulgarov	D13/108
D746,772 S	*	1/2016	Aumiller	D13/108	D749,044 S	*	2/2016	Huang	D13/108
						D749,504 S	*	2/2016	Jeong	D13/108
						D752,051 S	*	3/2016	Chen	D14/434

* cited by examiner

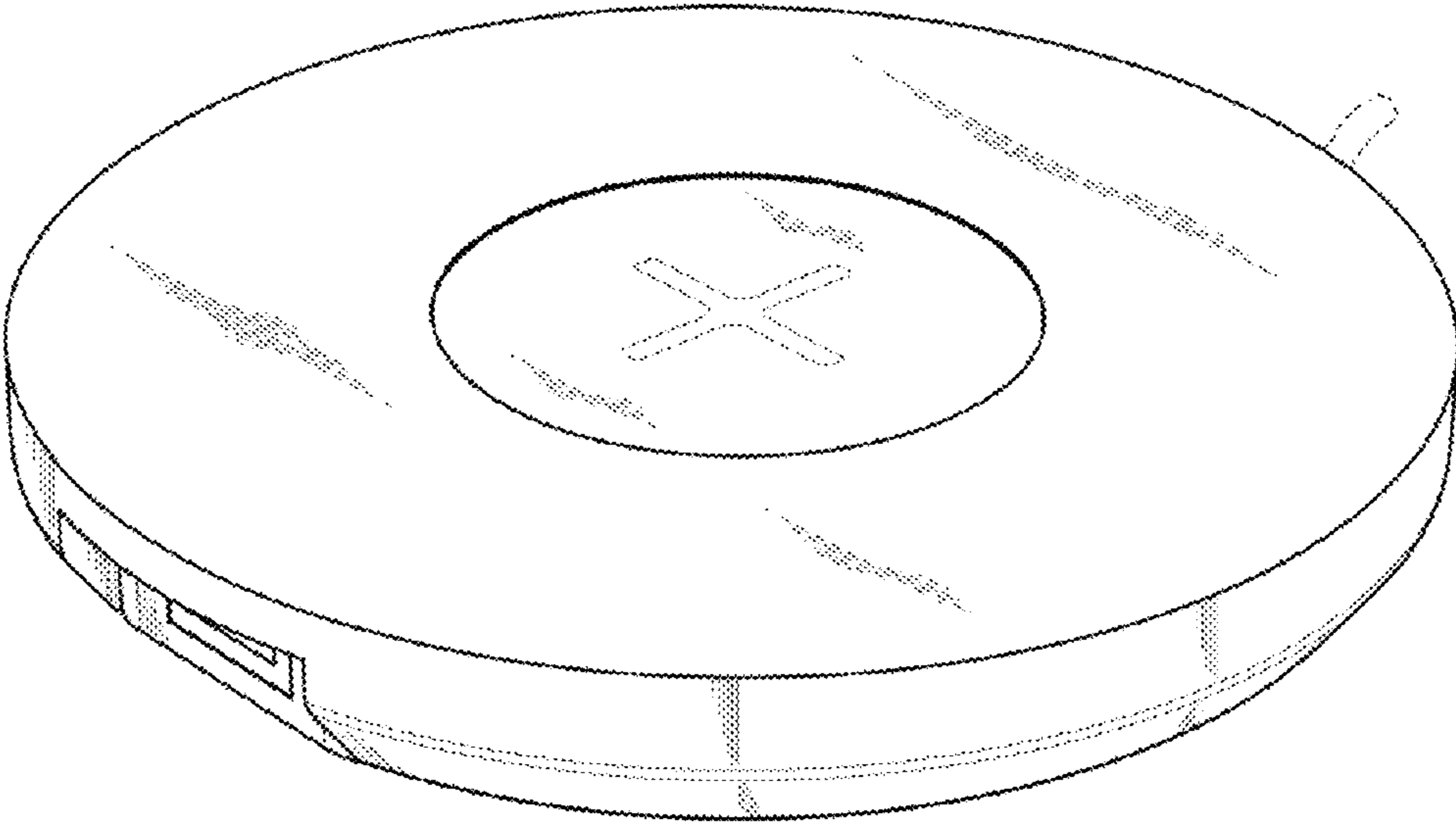


FIG. 1

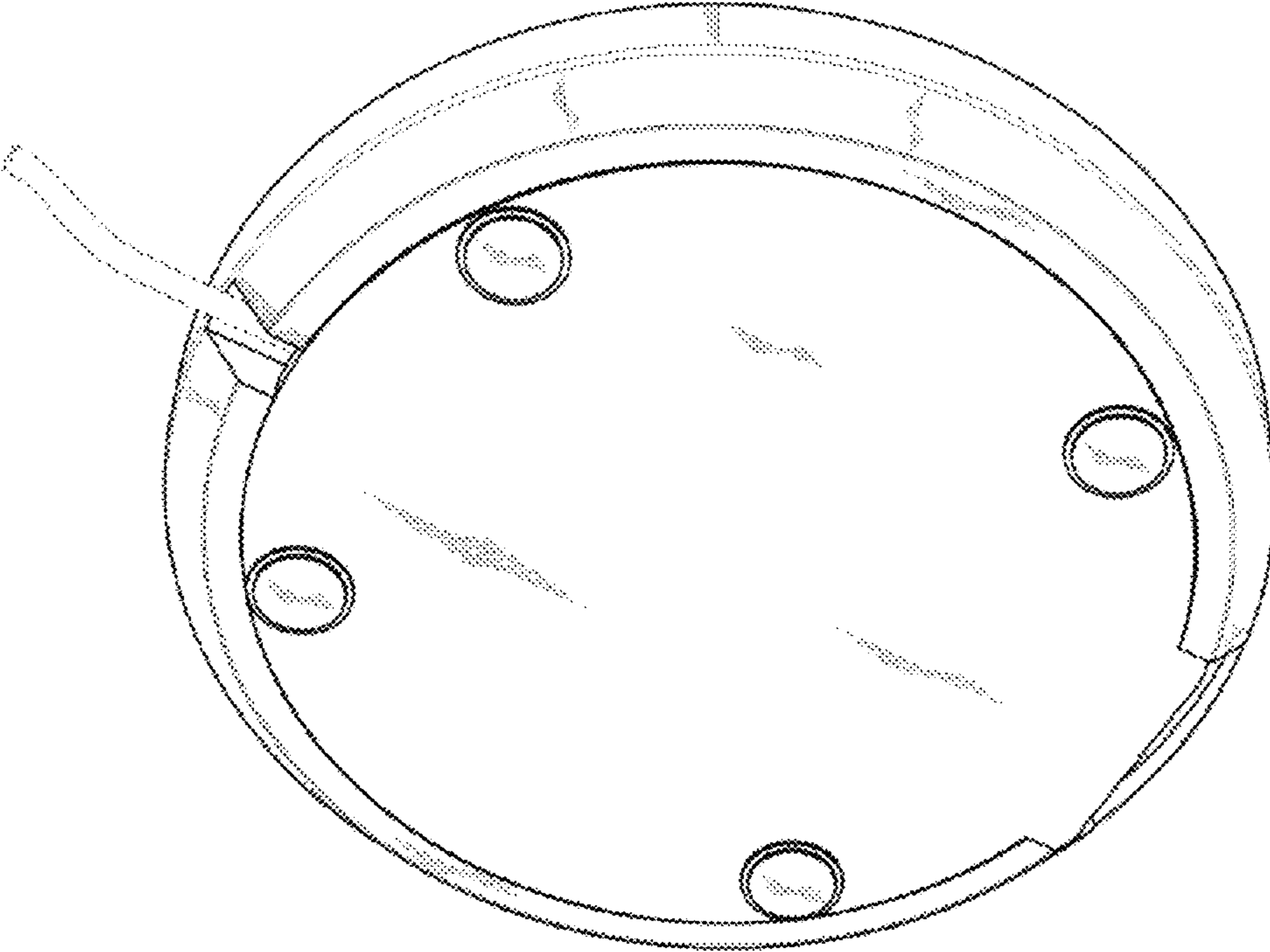


FIG. 2

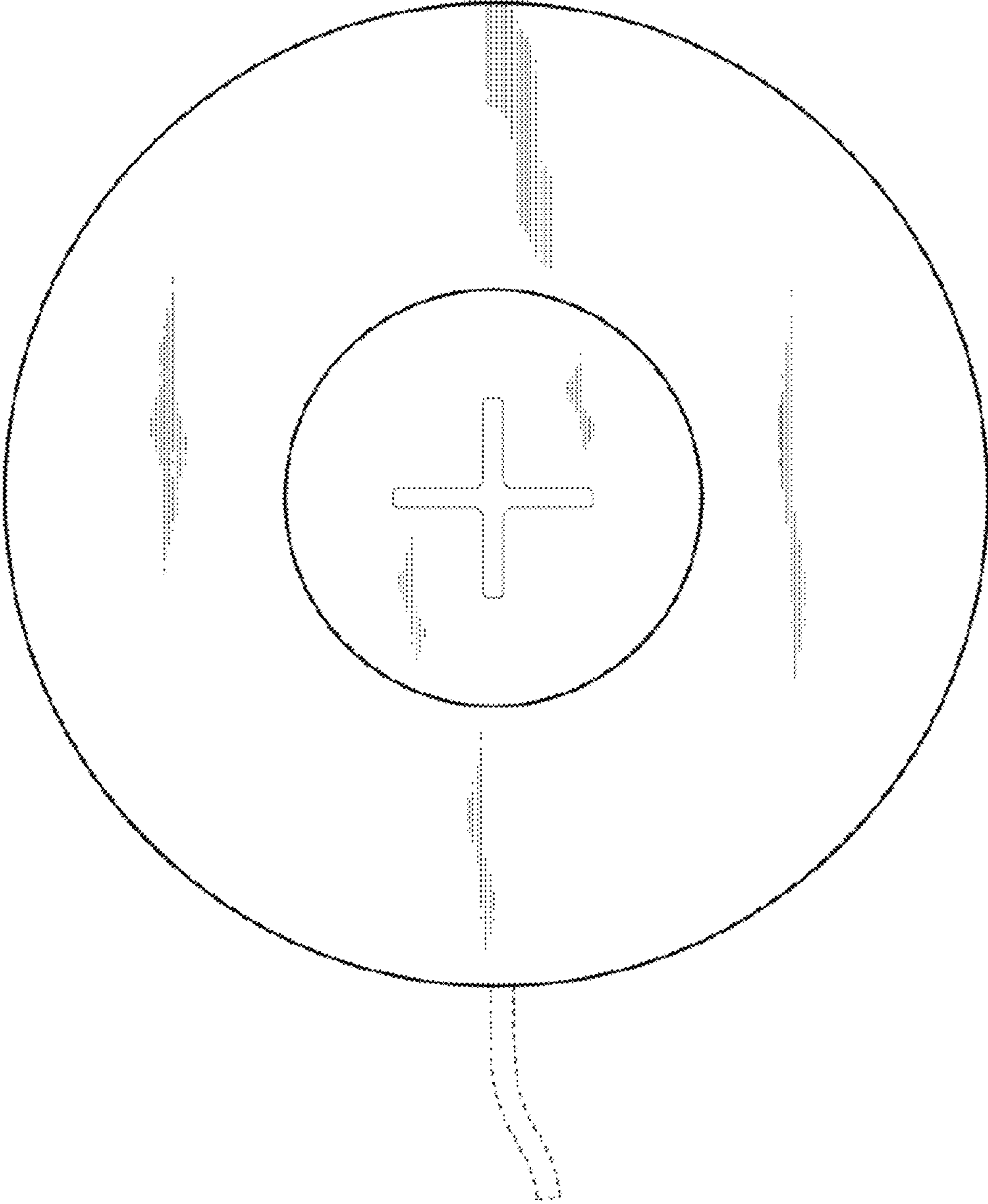


FIG. 3

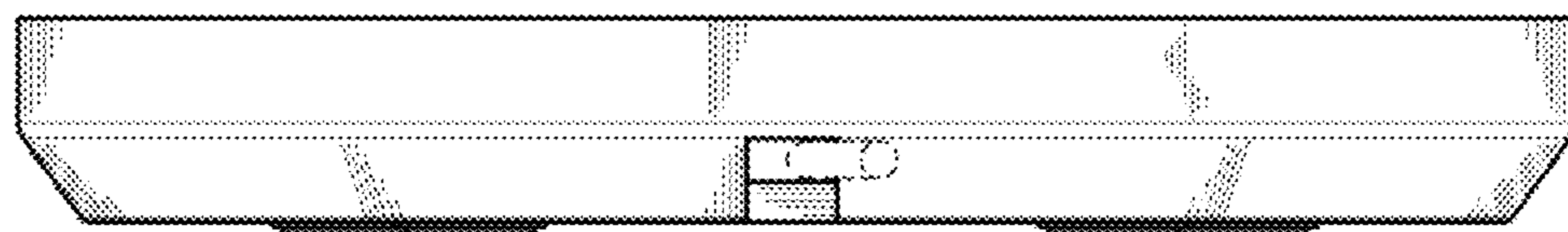


FIG. 4

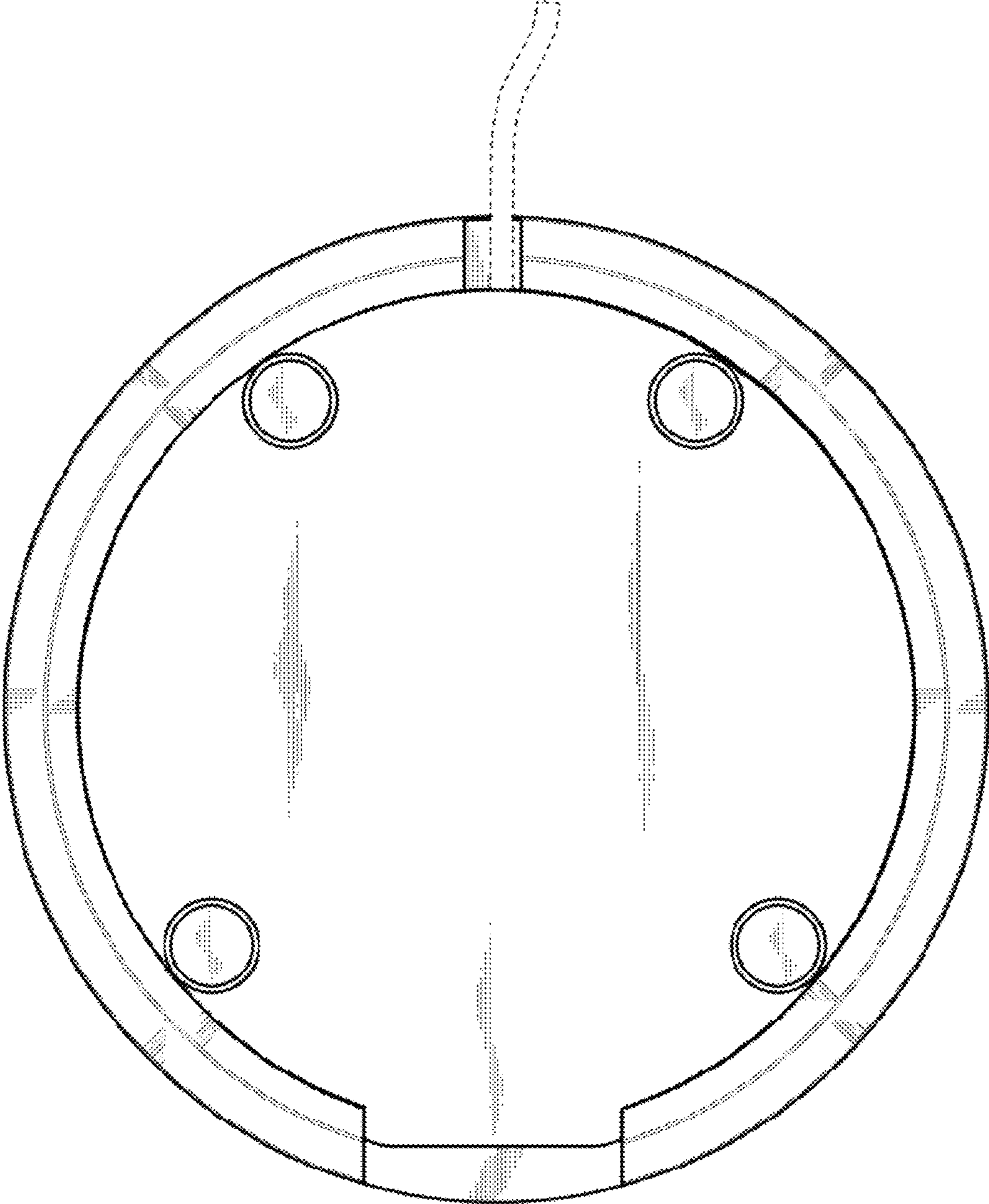


FIG. 5

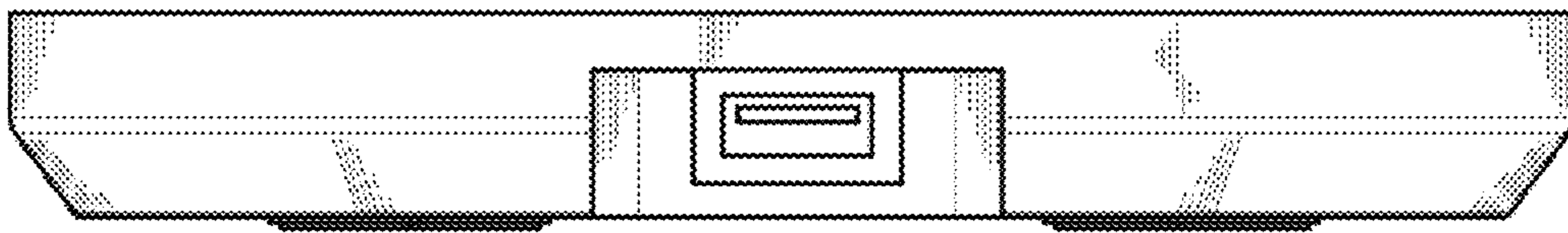


FIG. 6

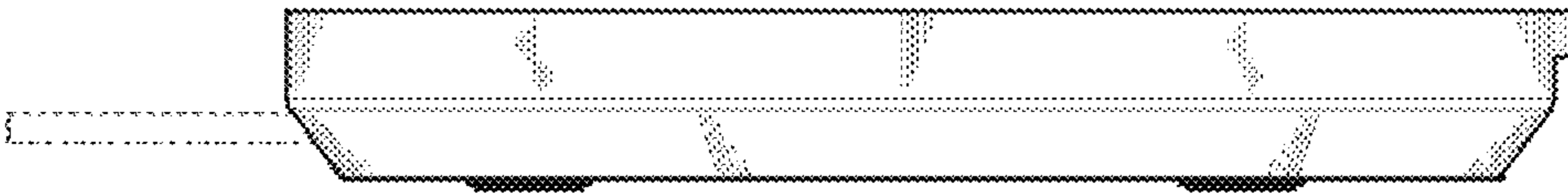


FIG. 7

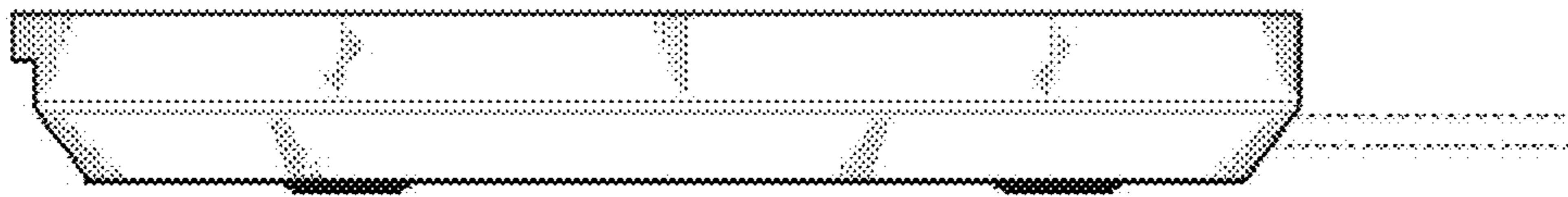


FIG. 8