



US00D772806S

(12) **United States Design Patent** (10) **Patent No.:** **US D772,806 S**
Ritterling et al. (45) **Date of Patent:** **** Nov. 29, 2016**

(54) **BATTERY**

(71) Applicants: **Douglas Ritterling**, Chagrin Falls, OH (US); **Shane Glasgow**, Reminderville, OH (US)

(72) Inventors: **Douglas Ritterling**, Chagrin Falls, OH (US); **Shane Glasgow**, Reminderville, OH (US)

(73) Assignee: **Techtronic Industries Co. Ltd.**, Tsuen Wan, New Territories (HK)

(**) Term: **15 Years**

(21) Appl. No.: **29/528,139**

(22) Filed: **May 26, 2015**

(30) **Foreign Application Priority Data**

Nov. 26, 2014 (CN) 2014 3 0476283

(51) **LOC (10) Cl.** **13-02**

(52) **U.S. Cl.**
USPC **D13/103**

(58) **Field of Classification Search**

USPC D13/102-110, 118-119, 184, 199, 120,
D13/154, 146, 147, 133; D14/356, 432;
320/103, 111-115, 135, 138, 140
CPC Y02E 60/10; Y02E 60/12; Y02E 60/122;
Y02E 60/124; Y02E 60/50; H01M 2/02;
H01M 2/20; H01M 2/022; H01M 2/0202;
H01M 2/0207; H01M 2/0212; H01M 2/1061;
H01M 2/1022; H01M 2/1055; H01M 2/1066;
H01M 2/105; H01M 2/204; H01M 2/202;
H01M 2/206; H01M 10/4257; H01M
10/0436; H01M 10/48; H01M 10/44; H01M
10/46; H01M 10/465; H01M 10/482; H01M
2250/30; H01M 2250/40; H01M 2200/30;
H02J 7/00; H02J 7/0003; H02J 7/0011;
H02J 7/0013; H02J 7/0054; H02J 7/0055;
H02J 7/0057; H02J 2007/0062

See application file for complete search history.

(56) **References Cited**

U.S. PATENT DOCUMENTS

5,553,675 A	9/1996	Pitzen et al.
5,589,288 A	12/1996	Coulson et al.
5,607,792 A	3/1997	Garcia et al.
5,663,011 A	9/1997	Bunyea et al.
5,681,667 A	10/1997	Bunyea et al.
5,718,985 A	2/1998	Bunyea et al.
5,792,573 A	8/1998	Pitzen et al.
5,800,940 A	9/1998	Bunyea et al.
5,851,692 A	12/1998	Potts
5,856,038 A	1/1999	Mason
5,869,204 A	2/1999	Kottke et al.
5,986,865 A	11/1999	Umeki et al.

(Continued)

Primary Examiner — Rosemary K Tarcza

Assistant Examiner — Christy Nemeth

(74) *Attorney, Agent, or Firm* — Michael Best & Friedrich LLP

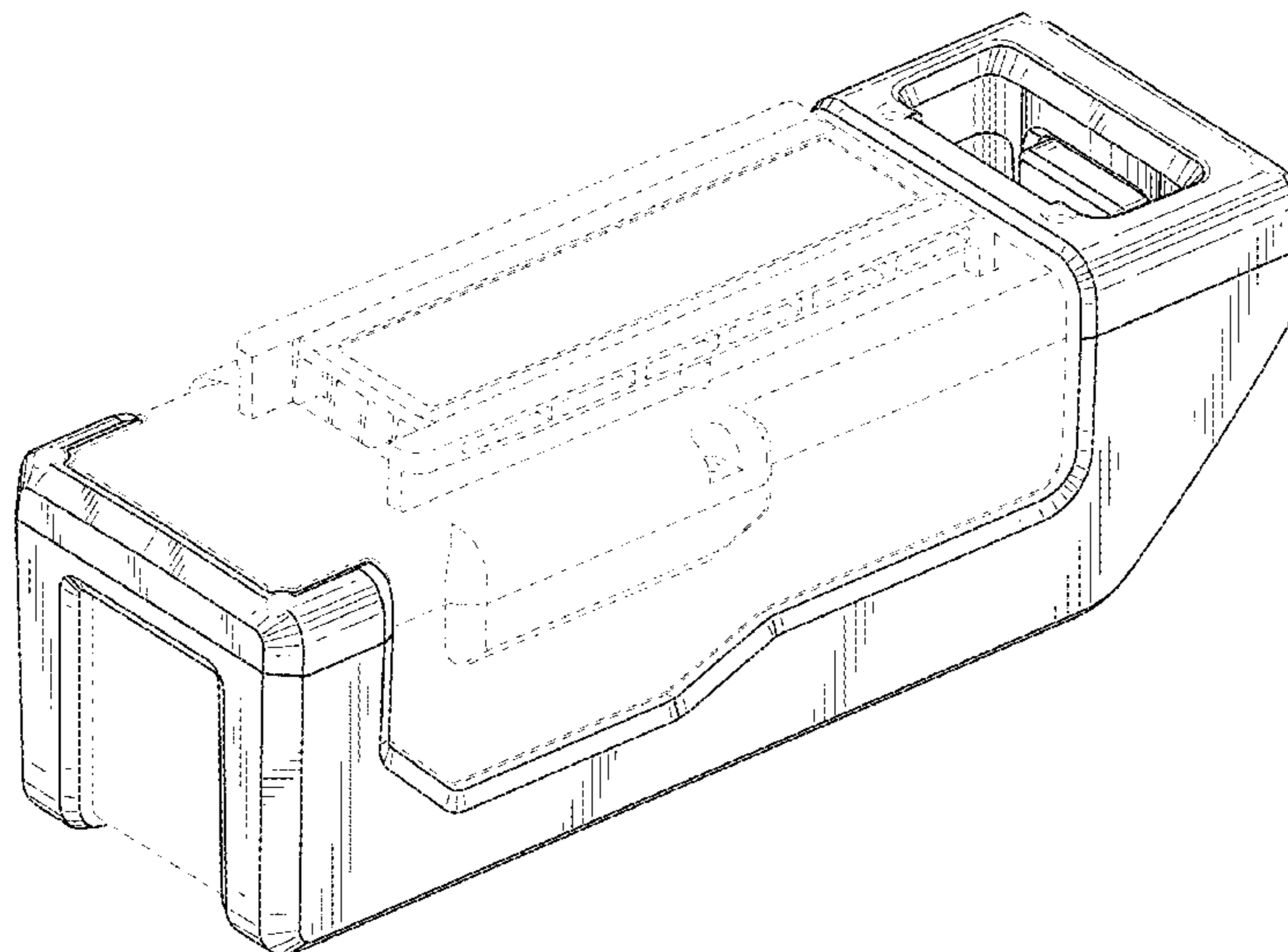
(57) **CLAIM**

We claim the ornamental design for a battery, as shown and described.

DESCRIPTION

FIG. 1 is a perspective view of a battery.
FIG. 2 is a back side view of the battery shown in FIG. 1.
FIG. 3 is a front side view of the battery shown in FIG. 1.
FIG. 4 is a right side view of the battery shown in FIG. 1.
FIG. 5 is a left side view of the battery shown in FIG. 1.
FIG. 6 is a bottom side view of the battery shown in FIG. 1;
and,
FIG. 7 is a top side view of the battery shown in FIG. 1.
The elements shown in dashed lines are included for the purpose of illustrating environment and form no part of the claimed design.

1 Claim, 4 Drawing Sheets



(56)

References Cited

U.S. PATENT DOCUMENTS

6,057,608 A	5/2000	Bailey, Jr. et al.	7,670,714 B2	3/2010	Matthias	
6,132,900 A	10/2000	Yoshizawa et al.	7,679,323 B2	3/2010	Roehm et al.	
6,168,881 B1	1/2001	Fischer et al.	7,682,726 B2	3/2010	Rejman et al.	
6,181,032 B1	1/2001	Marshall et al.	D614,178 S	4/2010	Nuovo et al.	
6,223,835 B1	5/2001	Habedank et al.	7,718,306 B2	5/2010	Cheon et al.	
6,304,058 B2	10/2001	Watson et al.	7,723,960 B2	5/2010	Funabashi et al.	
6,326,101 B1	12/2001	White et al.	7,746,030 B2	6/2010	Ziegler et al.	
6,329,788 B1	12/2001	Bailey, Jr. et al.	7,758,996 B2	7/2010	Mackle et al.	
6,357,533 B1	3/2002	Buchholz et al.	7,759,898 B2	7/2010	Brotto	
6,357,534 B1	3/2002	Buetow et al.	7,765,641 B2	8/2010	Cunningham	
6,412,572 B2	7/2002	Habedank et al.	7,782,626 B2	8/2010	Buck et al.	
6,500,581 B2	12/2002	White et al.	7,816,888 B2	10/2010	Rejman et al.	
6,515,451 B2	2/2003	Watson et al.	7,828,185 B2	11/2010	Hofmann et al.	
6,590,396 B1	7/2003	Zur et al.	7,838,151 B2	11/2010	Koga et al.	
6,623,049 B2	9/2003	Shreeve et al.	7,858,224 B2	12/2010	Kim et al.	
6,641,950 B2	11/2003	White et al.	7,879,479 B2	2/2011	Roehm et al.	
6,653,815 B2	11/2003	Watson et al.	7,879,482 B2	2/2011	Matthias	
6,656,626 B1	12/2003	Mooty et al.	7,879,483 B2	2/2011	Sakakibara	
D487,426 S	3/2004	Johnson	7,883,360 B2	2/2011	Hirt	
6,729,413 B2	5/2004	Turner et al.	7,887,942 B2	2/2011	Rejman et al.	
6,730,432 B1	5/2004	Grosfeld et al.	7,932,694 B2	4/2011	Watanabe et al.	
6,742,601 B2	6/2004	Numata	7,935,436 B2	5/2011	Cheon et al.	
6,840,335 B1	1/2005	Wu	7,937,792 B2	5/2011	Munn et al.	
6,876,173 B2	4/2005	Mastaler et al.	7,940,025 B2	5/2011	Duesselberg	
6,921,285 B2	7/2005	Glauning	7,963,150 B2	6/2011	Haag	
6,933,689 B2	8/2005	Yamamoto	7,989,969 B2	8/2011	Grant et al.	
6,940,033 B1	9/2005	Jones, Jr. et al.	7,993,772 B2	8/2011	Sakakibara	
6,955,549 B2	10/2005	Brazell et al.	7,997,352 B2	8/2011	Hashimoto et al.	
6,965,213 B2	11/2005	Schadoffsky et al.	7,999,507 B2	8/2011	Heizen	
6,965,214 B2	11/2005	Kubale et al.	8,006,958 B2	8/2011	Starks et al.	
6,996,909 B1	2/2006	Buck et al.	8,027,166 B2	9/2011	Lin	
7,005,831 B2	2/2006	Watson et al.	8,054,041 B2	11/2011	Kim et al.	
7,022,878 B2	4/2006	Arai et al.	8,062,782 B2	11/2011	Wang et al.	
7,052,799 B2	5/2006	Zatezalo et al.	8,091,650 B2	1/2012	Van Der Linde et al.	
7,087,137 B2	8/2006	Motoda	8,092,932 B2 *	1/2012	Phillips	B25F 5/02 429/100
7,091,625 B2	8/2006	Okusawa et al.	8,097,354 B2	1/2012	Sakakibara	
7,121,854 B2	10/2006	Buck et al.	8,098,036 B2	1/2012	Matsunaga et al.	
7,125,268 B1	10/2006	Marukawa et al.	8,128,250 B2	3/2012	Parrinello	
7,125,270 B2	10/2006	Buck et al.	8,153,292 B2	4/2012	Takezawa	
7,160,644 B2	1/2007	White et al.	8,158,284 B2	4/2012	Kimura	
7,182,150 B2	2/2007	Grossman	8,163,414 B2	4/2012	Wan et al.	
7,195,842 B1	3/2007	Fujimoto et al.	8,181,717 B2	5/2012	Turner et al.	
7,210,185 B2	5/2007	Paas	8,182,934 B2	5/2012	Asahina et al.	
7,238,443 B2	7/2007	Sakakibara	8,183,836 B2	5/2012	Funabashi et al.	
7,243,734 B2	7/2007	Wu	8,228,029 B2	7/2012	Meyer et al.	
7,248,021 B2	7/2007	Kozu et al.	8,302,833 B2	11/2012	Gross et al.	
7,306,052 B2	12/2007	Vahabi-Nejad et al.	8,305,042 B2	11/2012	Wirmitzer et al.	
7,318,731 B2	1/2008	Lin et al.	8,312,937 B2	11/2012	Turner et al.	
7,319,305 B2	1/2008	Kimoto et al.	8,318,347 B2	11/2012	Yokoyama et al.	
7,322,835 B2	1/2008	Lin et al.	8,323,839 B2	12/2012	Tamura et al.	
7,351,077 B2	4/2008	Shimizu et al.	8,350,512 B2	1/2013	Matsunaga et al.	
7,351,493 B2	4/2008	Uemoto et al.	8,354,183 B2	1/2013	Konuma et al.	
7,397,218 B2	7/2008	Rejman	8,355,760 B2	1/2013	Kim	
7,400,106 B2	7/2008	DeCircco et al.	8,365,350 B2	2/2013	Cochran et al.	
7,407,727 B2	8/2008	Sugiyama et al.	8,389,143 B2	3/2013	Roßkamp et al.	
7,423,407 B2	9/2008	Watson et al.	8,395,340 B2	3/2013	Marvally	
7,429,430 B2	9/2008	Mooty et al.	8,409,739 B2	4/2013	Ouyang	
7,445,139 B2	11/2008	Okouchi	8,426,051 B2	4/2013	Sakakibara	
7,455,544 B2	11/2008	Glauning et al.	8,440,340 B2	5/2013	Zhang	
RE40,681 E	3/2009	Pitzen et al.	8,450,003 B2	5/2013	Ouyang	
7,507,041 B2	3/2009	Ueda et al.	8,508,189 B2	8/2013	Osswald et al.	
7,534,065 B2	5/2009	Rejman et al.	8,557,427 B2	10/2013	Matsumoto	
7,554,287 B2	6/2009	Duesselberg	8,563,163 B2	10/2013	Hayashi et al.	
RE40,848 E	7/2009	Pitzen et al.	8,573,324 B2	11/2013	Turner et al.	
7,557,534 B2	7/2009	Uehlein-Proctor et al.	8,580,416 B2	11/2013	Cao	
7,567,058 B2	7/2009	Shimizu et al.	8,643,339 B2	2/2014	Iwamura et al.	
7,572,547 B2	8/2009	Sakakibara	8,658,302 B2	2/2014	Gong	
7,597,993 B2	10/2009	Glauning et al.	8,664,914 B2	3/2014	Toya et al.	
7,598,705 B2	10/2009	Watson et al.	8,679,665 B2	3/2014	Heinzen et al.	
7,602,144 B2	10/2009	Seo	8,701,793 B2	4/2014	Van der Linde et al.	
7,638,236 B2	12/2009	Ugaji et al.	8,730,053 B2	5/2014	Dycus	
7,648,383 B2	1/2010	Matthias et al.	D706,218 S *	6/2014	Lampe	D13/110
7,655,350 B2	2/2010	White et al.	8,741,461 B2	6/2014	Yoneda et al.	
7,661,486 B2	2/2010	Turner et al.	8,741,467 B2	6/2014	Sakakibara	
7,670,171 B2	3/2010	Hirt	8,742,349 B2	6/2014	Urbon et al.	
			D721,035 S *	1/2015	Dasbach	D13/110
			D722,021 S *	2/2015	Dasbach	D13/110
			D722,022 S *	2/2015	Dasbach	D13/110

(56)

References Cited

U.S. PATENT DOCUMENTS

D750,558 S * 3/2016 Yamachi D13/103
 2002/0125857 A1 9/2002 Mastaler et al.
 2002/0160255 A1 10/2002 Babcock et al.
 2002/0160273 A1 10/2002 Arai et al.
 2004/0081882 A1 4/2004 Ontl
 2004/0106036 A1 6/2004 Geis et al.
 2005/0008938 A1 1/2005 Cho et al.
 2005/0073283 A1 4/2005 Friedli et al.
 2005/0142447 A1 6/2005 Nakai et al.
 2005/0156566 A1 7/2005 Thorsoe et al.
 2005/0234594 A1 10/2005 Uehigashi
 2005/0247613 A1 11/2005 Bishop et al.
 2006/0121342 A1 6/2006 Sano et al.
 2006/0199072 A1 9/2006 Lui et al.
 2007/0080667 A1* 4/2007 Ziegler H01M 2/1022
 320/132
 2007/0139847 A1 6/2007 Liu
 2007/0209119 A1 9/2007 Chun-Chu
 2007/0243424 A1 10/2007 Lin et al.
 2008/0041874 A1 2/2008 Attaway
 2008/0050655 A1 2/2008 Chu et al.
 2008/0187835 A1 8/2008 Takezawa et al.
 2008/0211327 A1 9/2008 Schlegel et al.
 2008/0241666 A1 10/2008 Baba et al.
 2008/0311795 A1 12/2008 Brotto et al.
 2008/0314792 A1 12/2008 Daeschler et al.
 2009/0255084 A1 10/2009 Gee, II et al.
 2009/0276974 A1 11/2009 Khalil et al.
 2009/0289805 A1 11/2009 Patrick et al.
 2010/0086840 A1 4/2010 Shao
 2010/0112437 A1 5/2010 Yoshikawa et al.
 2010/0192314 A1 8/2010 Otsuka et al.
 2010/0209754 A1 8/2010 Zuo
 2010/0221591 A1 9/2010 Roßkamp et al.
 2011/0011443 A1 1/2011 Yata et al.
 2011/0027662 A1 2/2011 Nishimura et al.
 2011/0116861 A1 5/2011 Zhang et al.
 2011/0133496 A1 6/2011 Cooper
 2011/0147027 A1 6/2011 Blum et al.
 2011/0214891 A1 9/2011 Roehm
 2011/0250483 A1 10/2011 Liu
 2011/0279133 A1 11/2011 Harper et al.

2012/0052356 A1 3/2012 Sugiura et al.
 2012/0055687 A1 3/2012 Martinsson
 2012/0058384 A1 3/2012 Ogura
 2012/0164523 A1 6/2012 Yoshikawa et al.
 2012/0171539 A1 7/2012 Rejman et al.
 2012/0176097 A1 7/2012 Takezawa et al.
 2012/0196169 A1 8/2012 Jeong et al.
 2012/0247796 A1 10/2012 Mueller et al.
 2012/0282503 A1 11/2012 Fujikawa et al.
 2012/0302101 A1 11/2012 Brotto et al.
 2012/0317948 A1 12/2012 Abe et al.
 2012/0317950 A1 12/2012 Abe et al.
 2012/0322321 A1 12/2012 Kwag et al.
 2013/0031762 A1 2/2013 Chellew et al.
 2013/0048929 A1 2/2013 Starks et al.
 2013/0093142 A1 4/2013 Saur et al.
 2013/0106343 A1 5/2013 Cruise et al.
 2013/0136956 A1 5/2013 Nakano et al.
 2013/0164589 A1 6/2013 Ota et al.
 2013/0187461 A1 7/2013 Goto et al.
 2013/0234655 A1 9/2013 Miwa et al.
 2013/0255980 A1 10/2013 Linehan et al.
 2013/0277081 A1 10/2013 Hayashi et al.
 2013/0316207 A1 11/2013 Suwa
 2013/0323549 A1 12/2013 Choi et al.
 2013/0330576 A1* 12/2013 Kolden H01M 10/425
 429/7
 2014/0004397 A1 1/2014 Lee et al.
 2014/0011060 A1 1/2014 Yang et al.
 2014/0014386 A1 1/2014 Turner et al.
 2014/0017528 A1 1/2014 Uehara et al.
 2014/0028223 A1 1/2014 Yoshida et al.
 2014/0045049 A1 2/2014 Iyori et al.
 2014/0053688 A1 2/2014 Yaschur et al.
 2014/0088753 A1 3/2014 Lim et al.
 2014/0091644 A1 4/2014 Wirmitzer et al.
 2014/0103840 A1 4/2014 Lim
 2014/0131959 A1 5/2014 Tussing
 2014/0147718 A1 5/2014 Furui et al.
 2014/0158389 A1 6/2014 Ito et al.
 2014/0161513 A1 6/2014 Chellew et al.
 2014/0167676 A1 6/2014 Mack
 2014/0174775 A1 6/2014 Parks

* cited by examiner

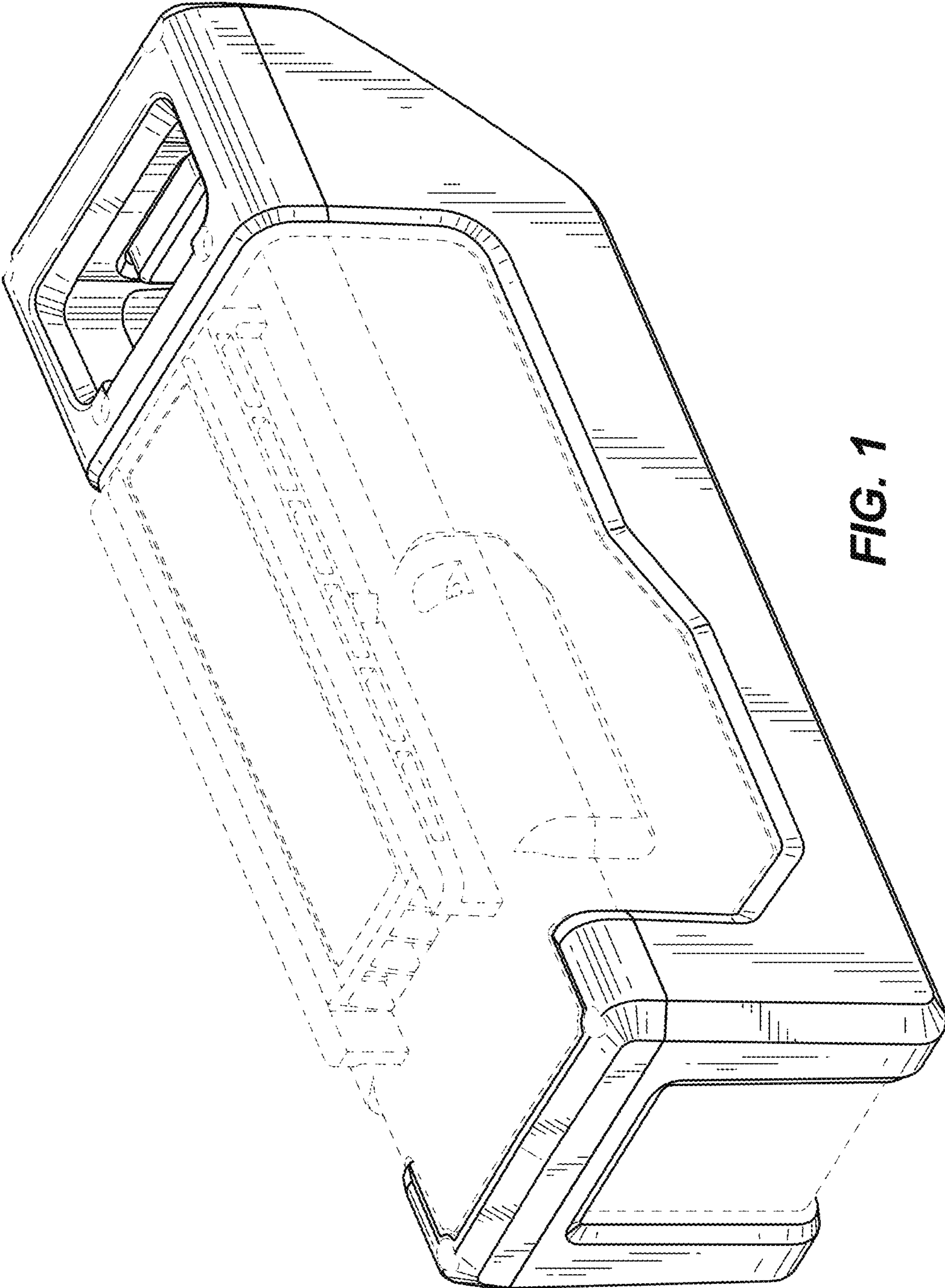


FIG. 1

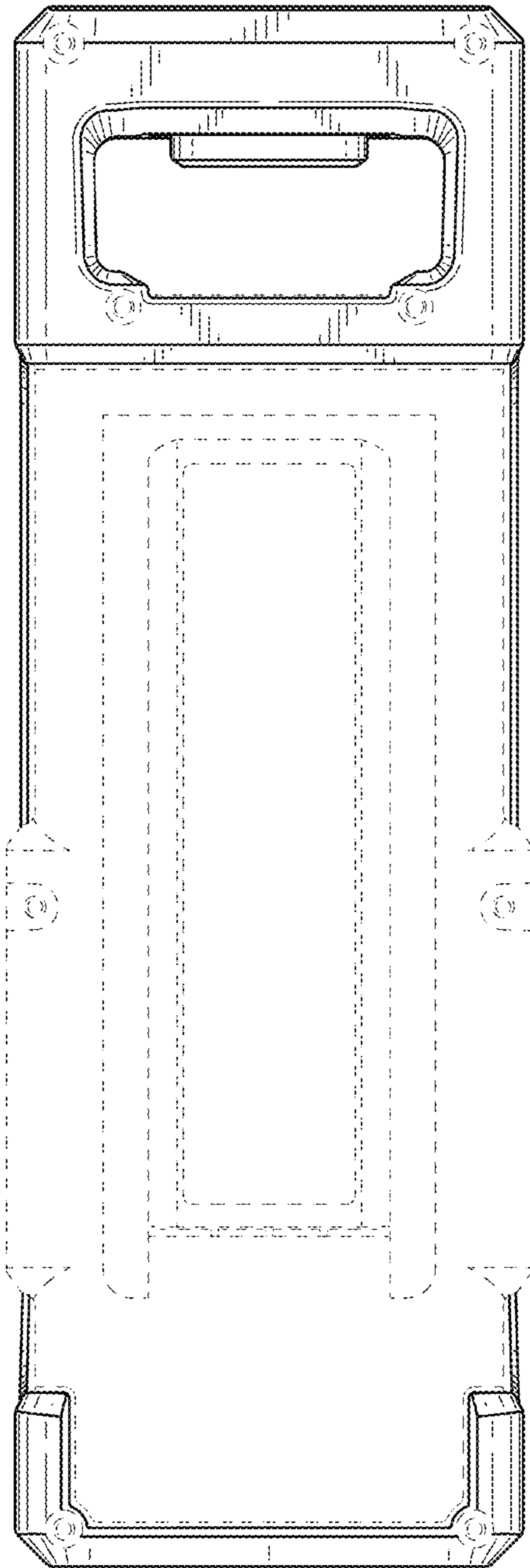


FIG. 2

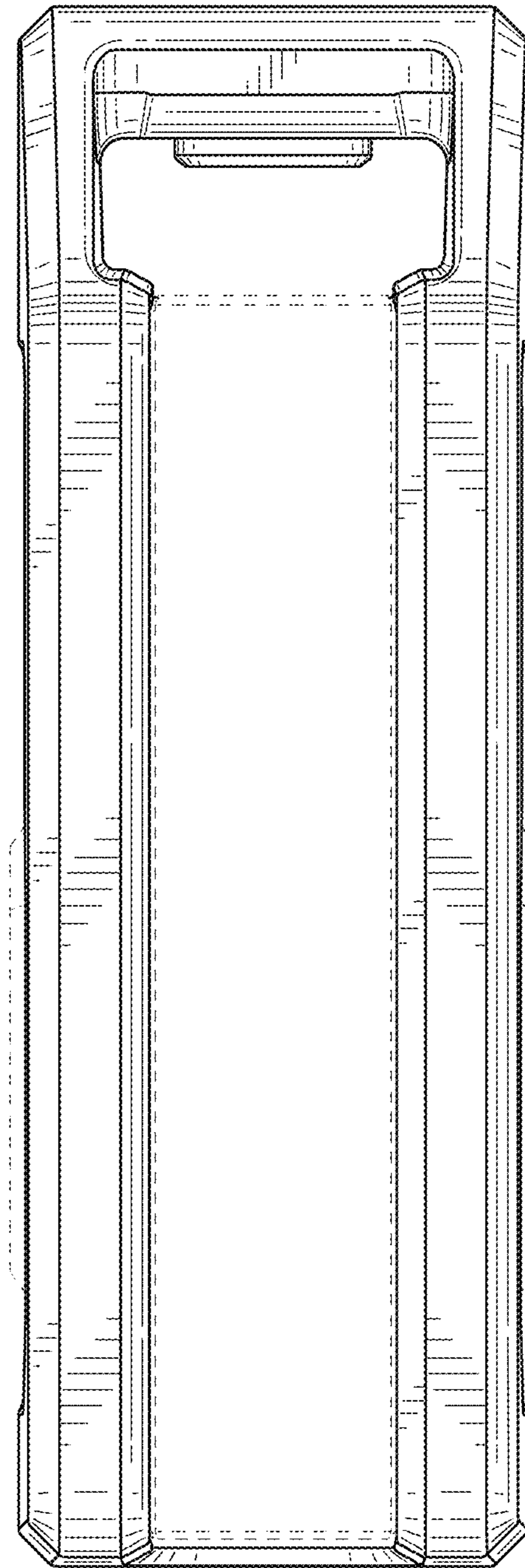


FIG. 3

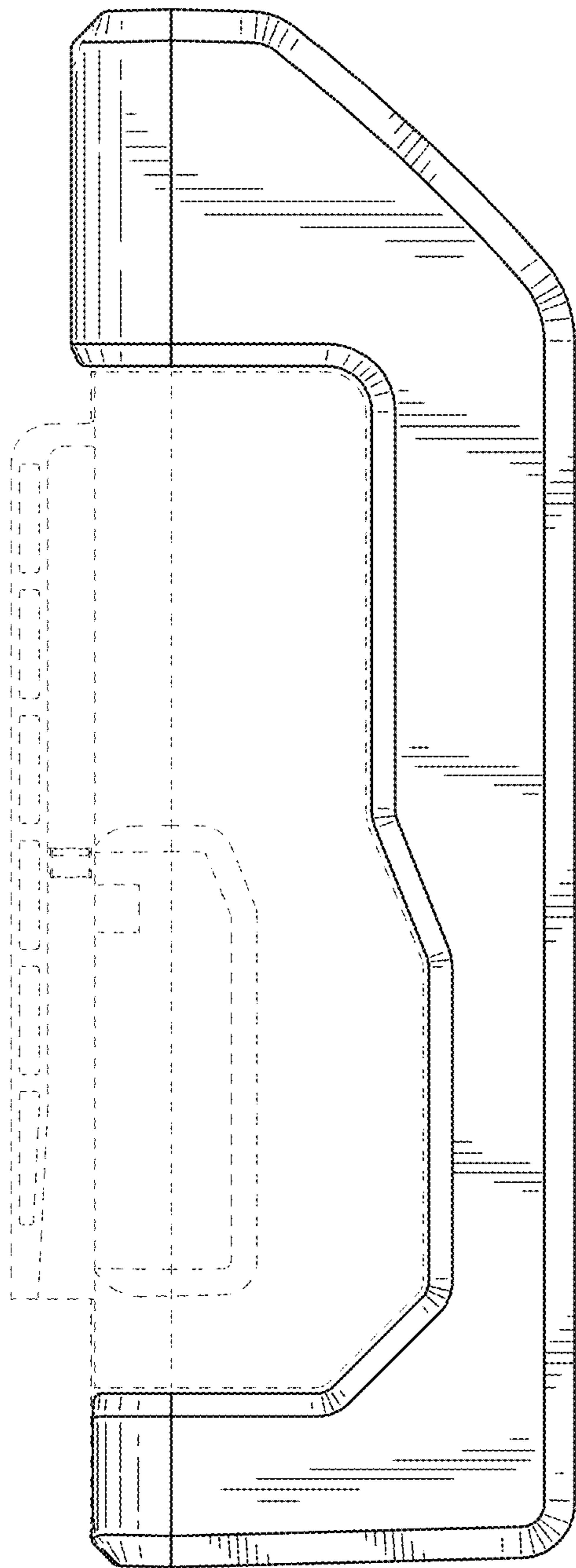


FIG. 4

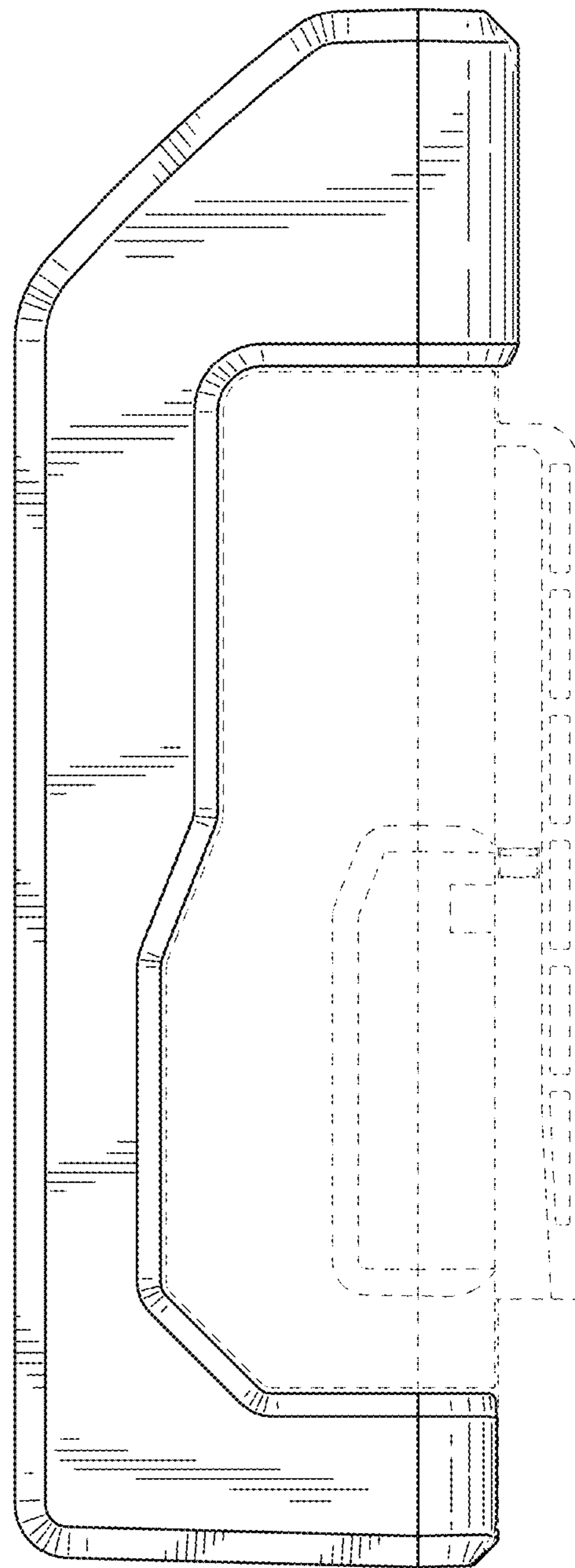


FIG. 5

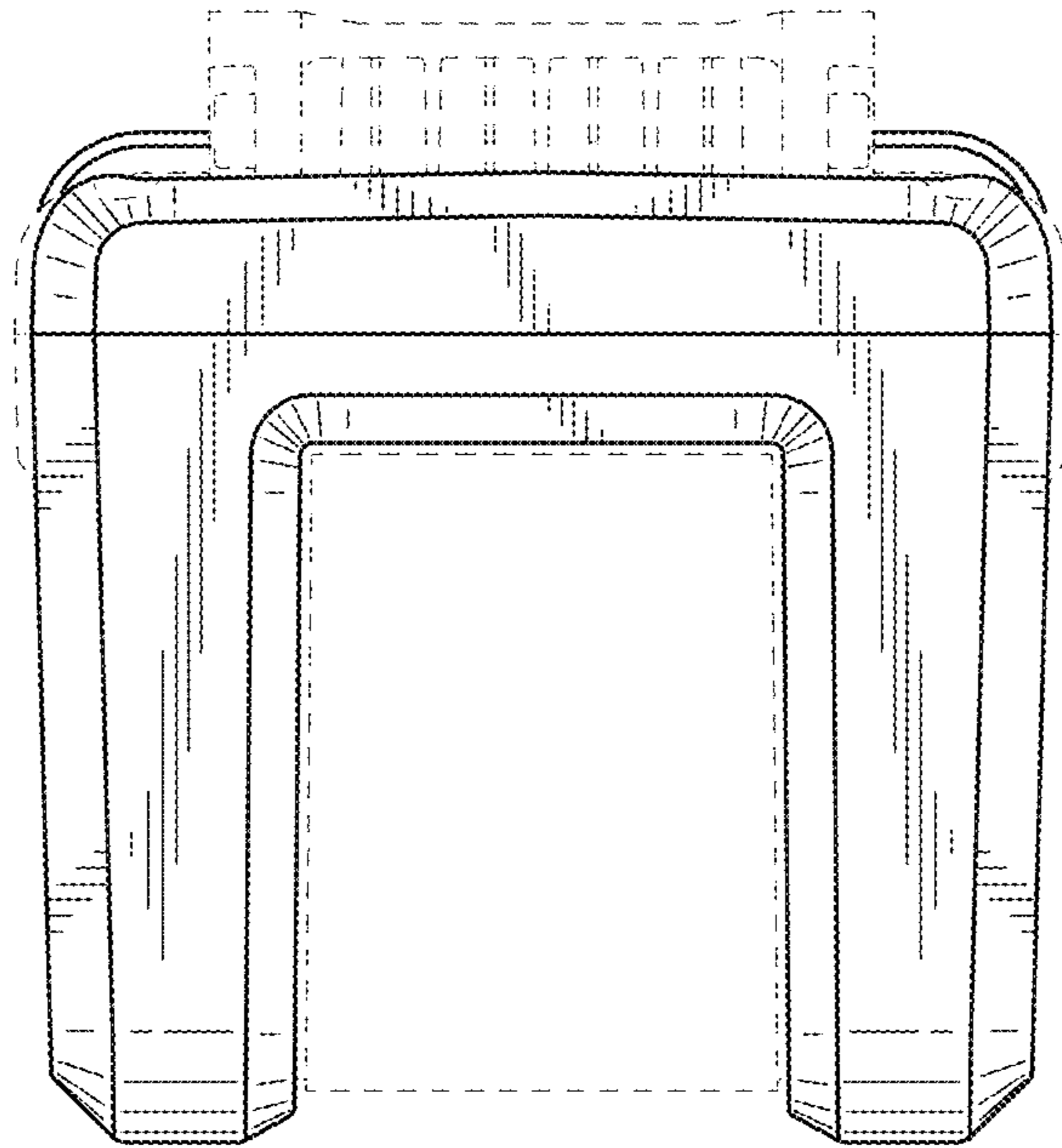


FIG. 6

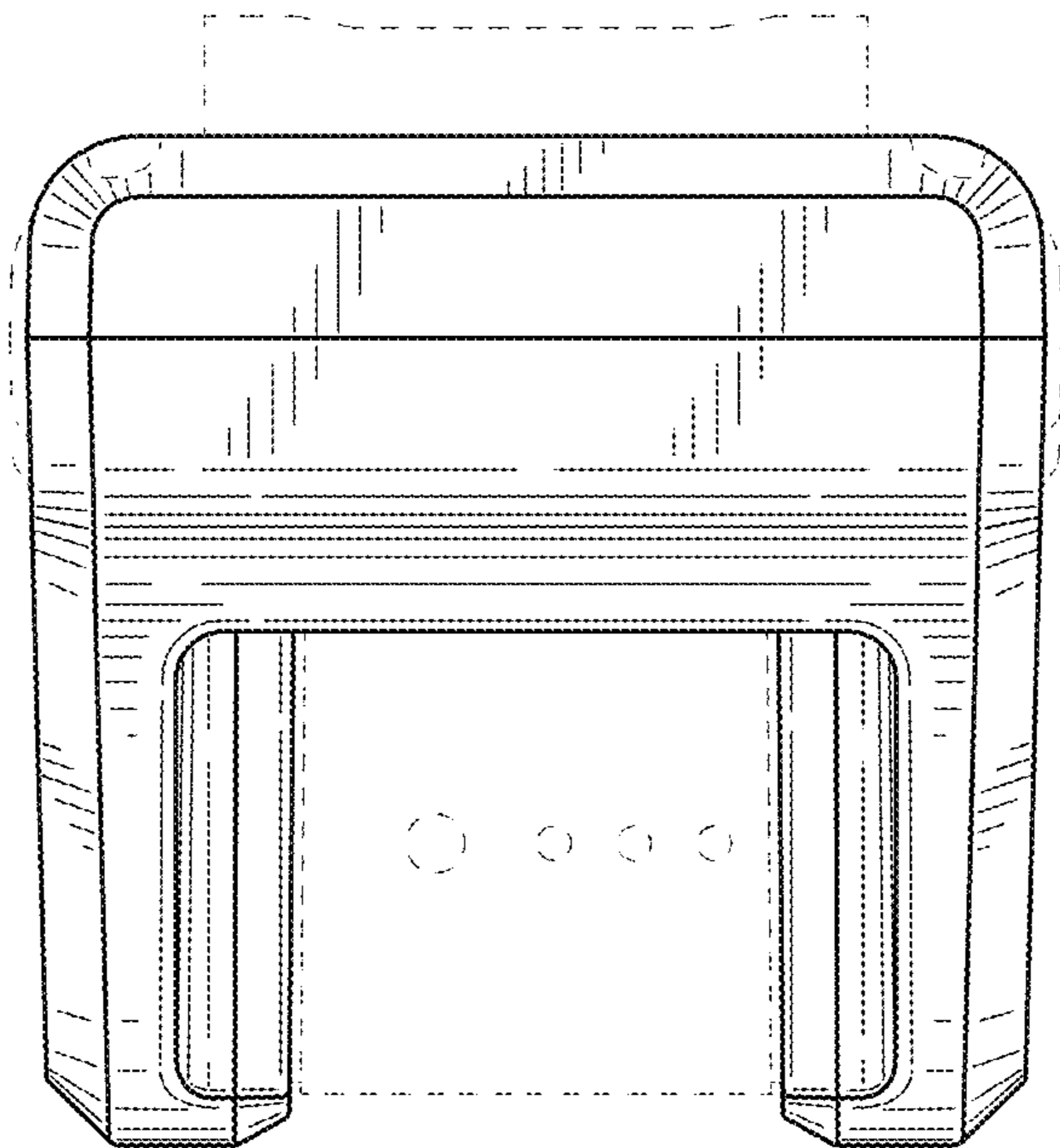


FIG. 7