



US00D772805S

(12) **United States Design Patent**
Obrist et al.

(10) **Patent No.:** **US D772,805 S**

(45) **Date of Patent:** **** Nov. 29, 2016**

- (54) **HOUSING FOR A BATTERY**
- (71) Applicant: **Obrist Powertrain GmbH**,
Lustenau/Österreich (AT)
- (72) Inventors: **Frank Obrist**, Bregenz (AT); **Martin Graz**, Lustenau (AT); **Jochen Bont**,
Feldkirch (AT)
- (73) Assignee: **OBRIST TECHNOLOGIES GMBH**,
Lustenau (AT)
- (**) Term: **14 Years**

7,719,132	B2 *	5/2010	Hatten	B60R 11/02	307/9.1
D660,798	S *	5/2012	Tseng	D13/110	
D665,348	S *	8/2012	Ledbetter	D13/110	
D692,827	S *	11/2013	Chen	D13/110	
D705,161	S *	5/2014	Chen	D13/110	
D705,724	S *	5/2014	Yu	D13/108	
D708,133	S *	7/2014	Hakala	D13/110	
D716,730	S *	11/2014	Liu	D13/110	
D722,018	S *	2/2015	Wang	D13/103	
D739,347	S *	9/2015	Huang	D13/110	
D750,558	S *	3/2016	Yamachi	D13/103	
D752,513	S *	3/2016	Willard	D13/110	
2013/0192914	A1 *	8/2013	Nakamori	B60K 1/04	180/68.5

(21) Appl. No.: **29/523,016**

(22) Filed: **Apr. 6, 2015**

(30) **Foreign Application Priority Data**

Jun. 10, 2014 (EM) 002551135-0001

(51) **LOC (10) Cl.** **13-02**

(52) **U.S. Cl.**
USPC **D13/103**

(58) **Field of Classification Search**
USPC D13/102–106, 110, 118–119, 184
CPC ... Y02E 60/12; Y02E 60/122; Y02E 60/124;
Y02E 60/50; H01M 2/02; H01M 2/022;
H01M 2/0202; H01M 2/0207; H01M 2/0212;
H01M 2/1061; H01M 2/1022; H01M 2/1055;
H01M 2/1066; H01M 2/105; H01M 2/204;
H01M 2/1094; H01M 2/1005; H01M 2/1016;
H01M 2/1077; H01M 10/4257; H01M
10/0436; H01M 10/48; H01M 10/052;
H01M 10/54; H01M 2002/0205; H01M
2200/00; H01M 2220/30; H01M 6/52;
H02J 7/0044; H02J 7/025
See application file for complete search history.

(56) **References Cited**

U.S. PATENT DOCUMENTS

- D496,629 S * 9/2004 Hriscu D13/110
- D612,329 S * 3/2010 Guccione D13/108

* cited by examiner

Primary Examiner — Rosemary K Tarcza

Assistant Examiner — Nathaniel D Buckner

(74) *Attorney, Agent, or Firm* — Hassan Abbas Shakir;
Katten Muchin Rosenman LLP

(57) **CLAIM**

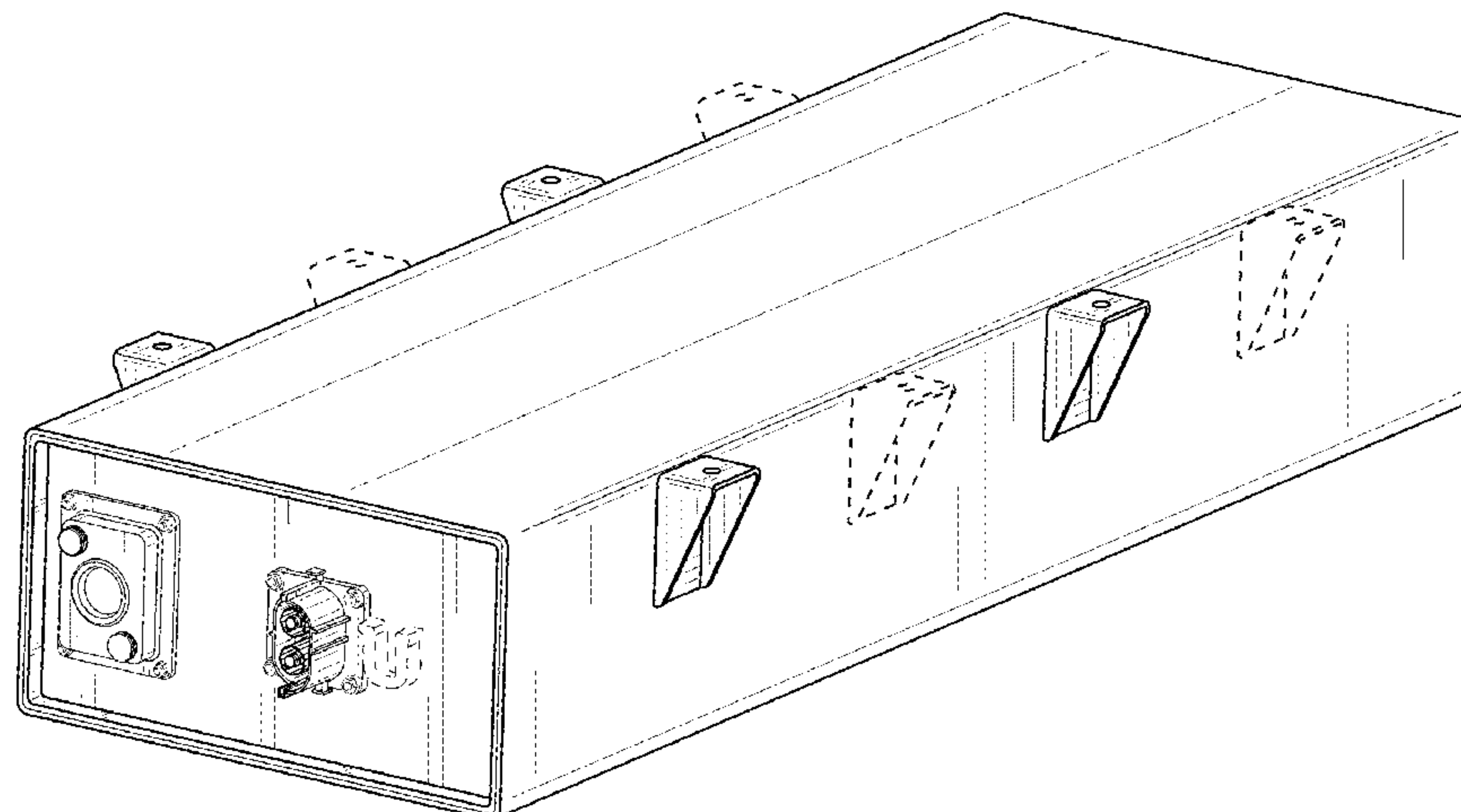
The ornamental design for a housing for a battery, as shown and described.

DESCRIPTION

FIG. 1 is a left side view of the housing for a battery,
FIG. 2 is a top view thereof,
FIG. 3 is a right-side perspective view thereof,
FIG. 4 is a left-side perspective view thereof,
FIG. 5 is a right-side view thereof,
FIG. 6 is a front view thereof; and,
FIG. 7 is a bottom view thereof.

The broken lines present in the figures are included for the purpose of illustrating portions of the article that form no part of the claimed design.

1 Claim, 7 Drawing Sheets



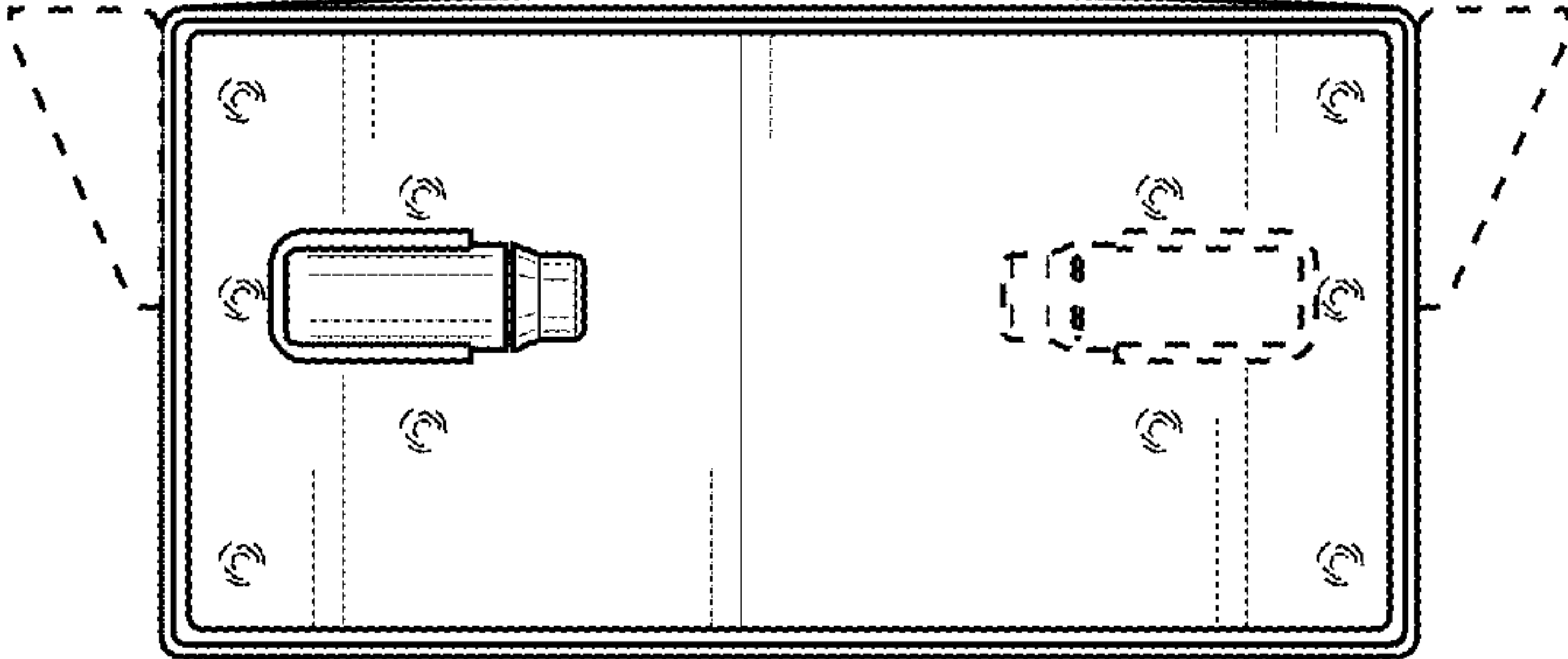


FIG. 1

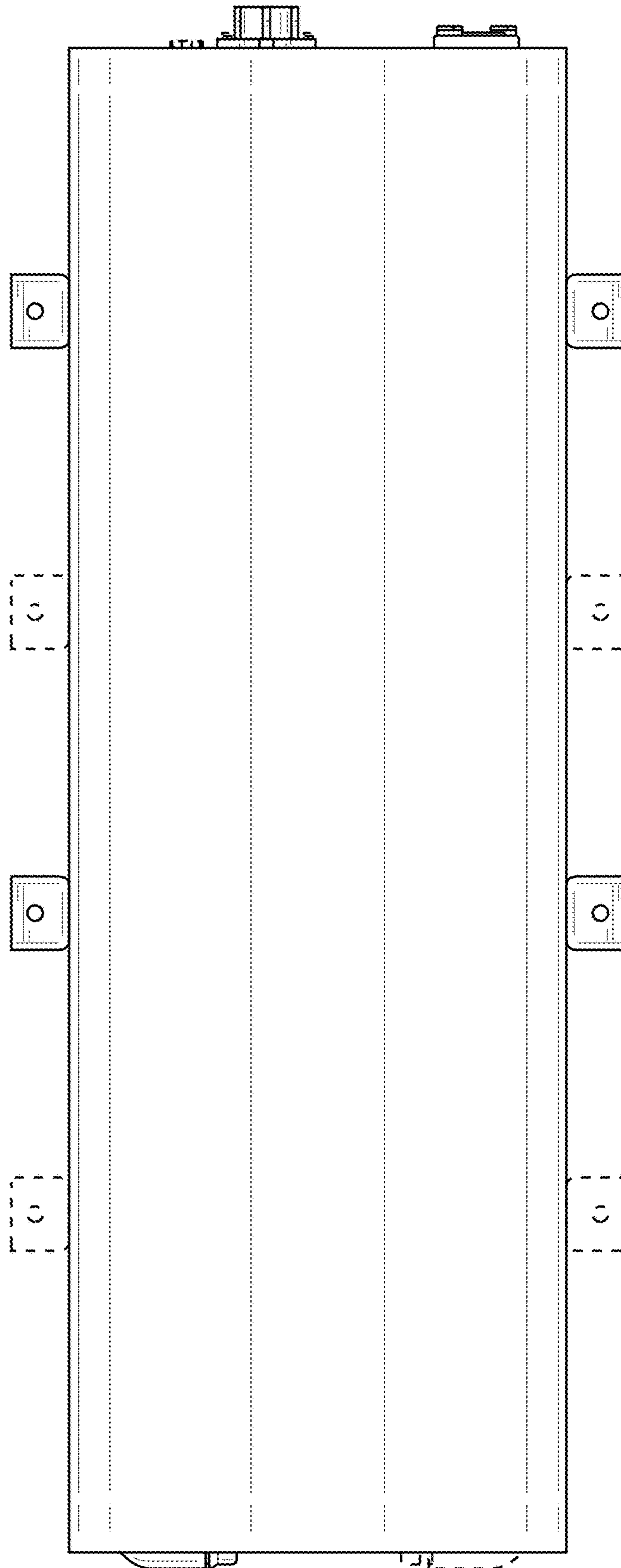


FIG. 2

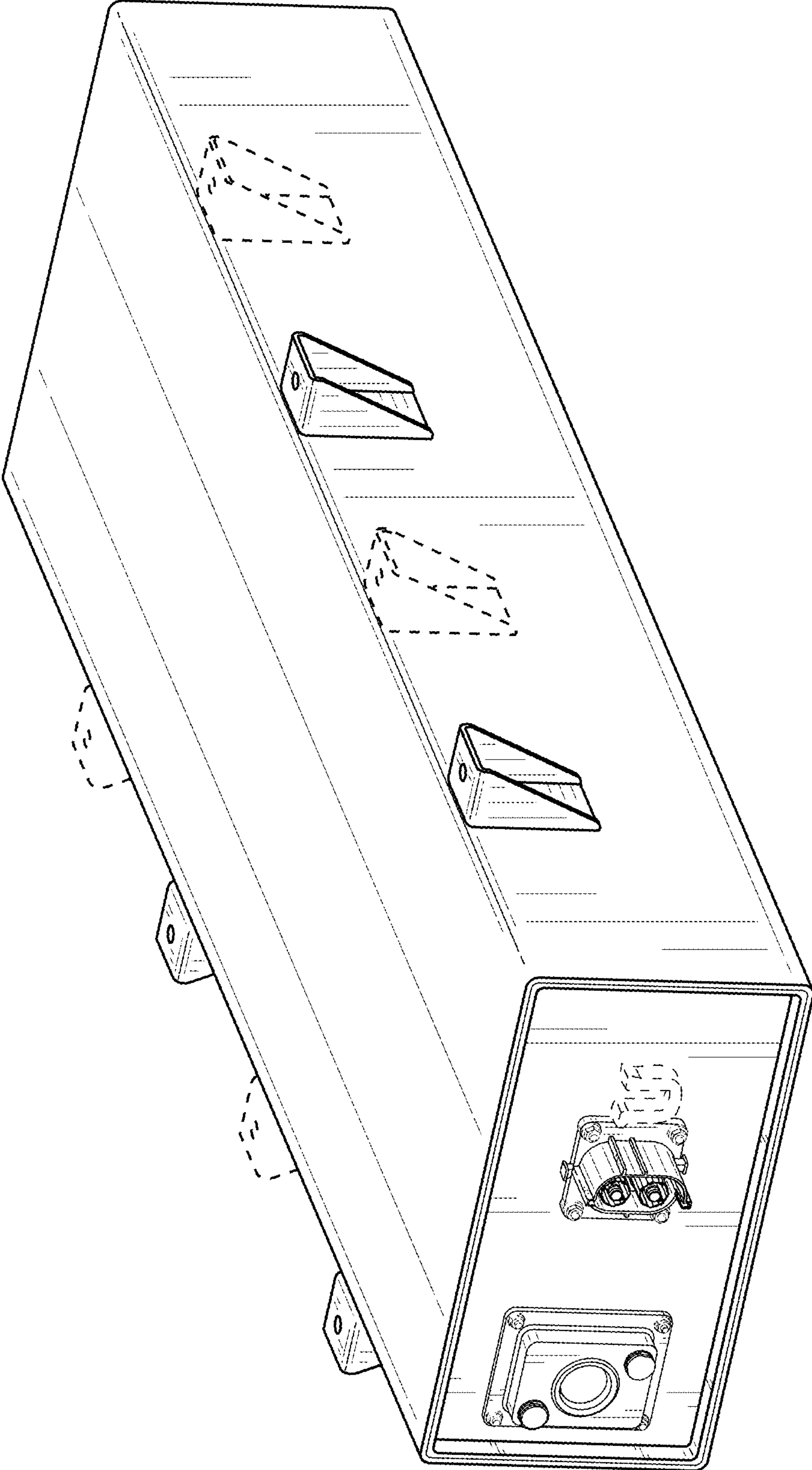


FIG. 3

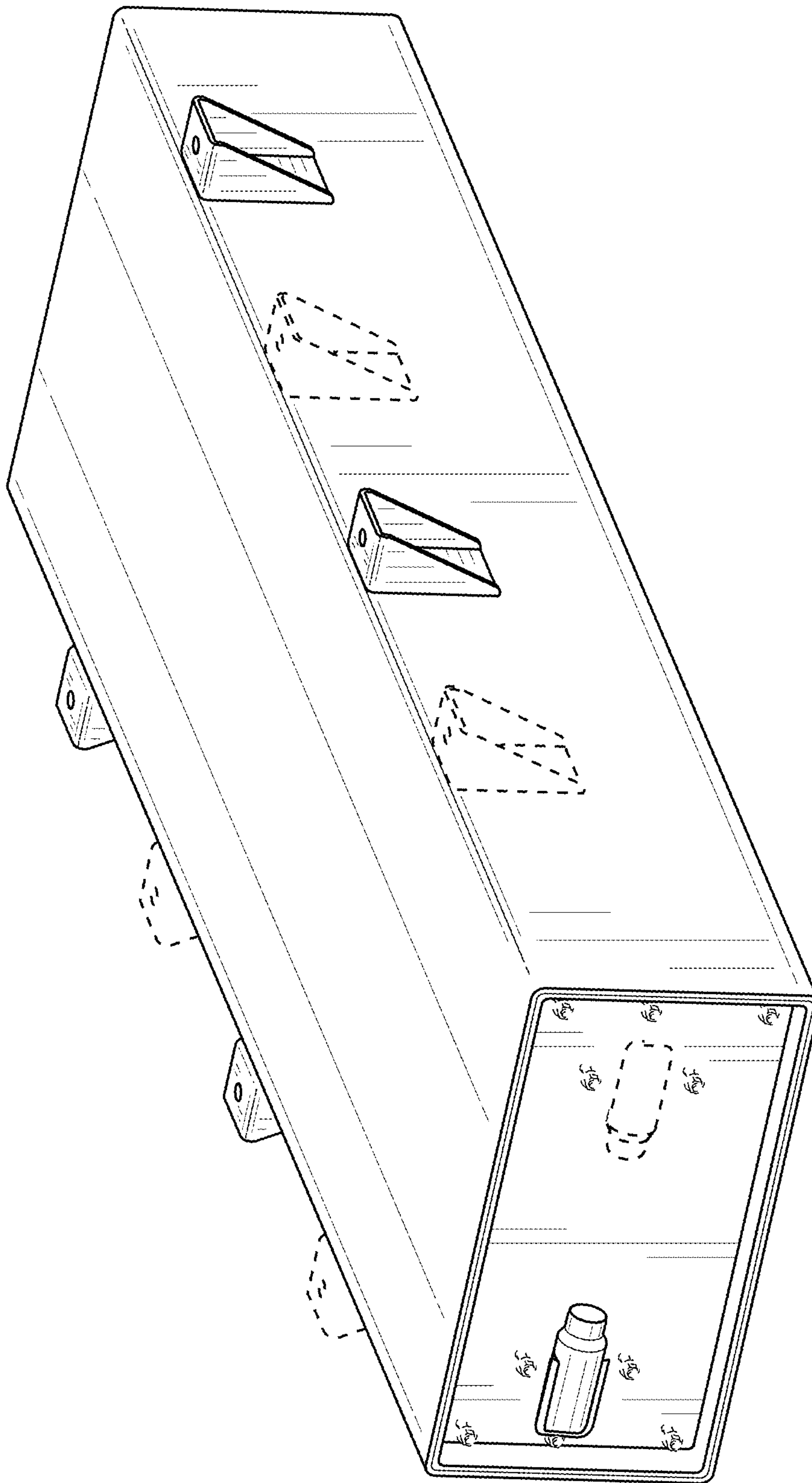


FIG. 4

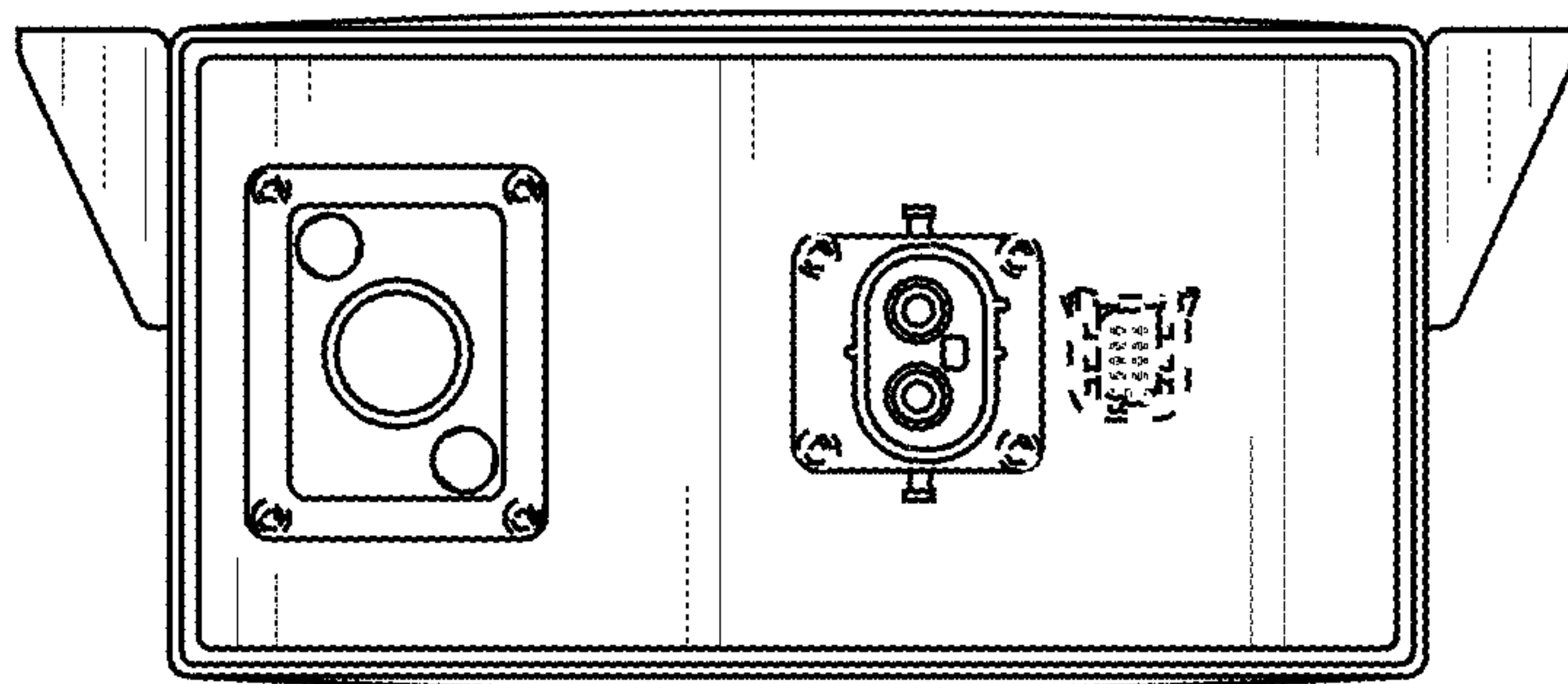


FIG. 5

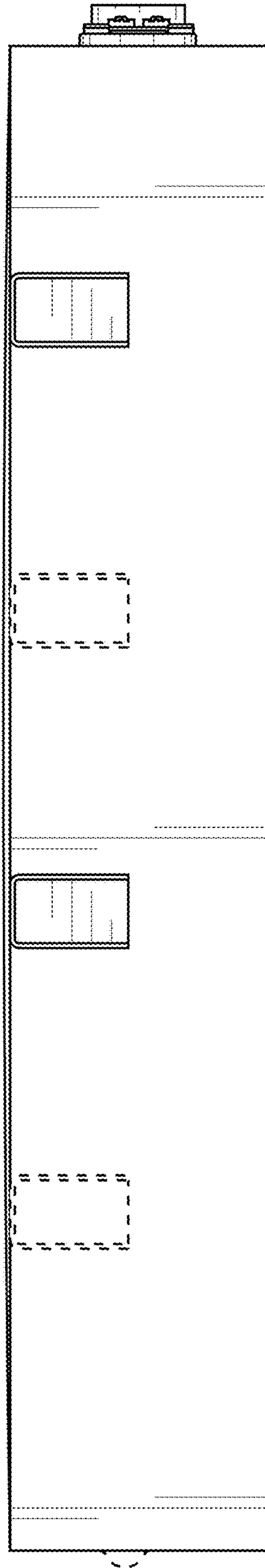


FIG. 6

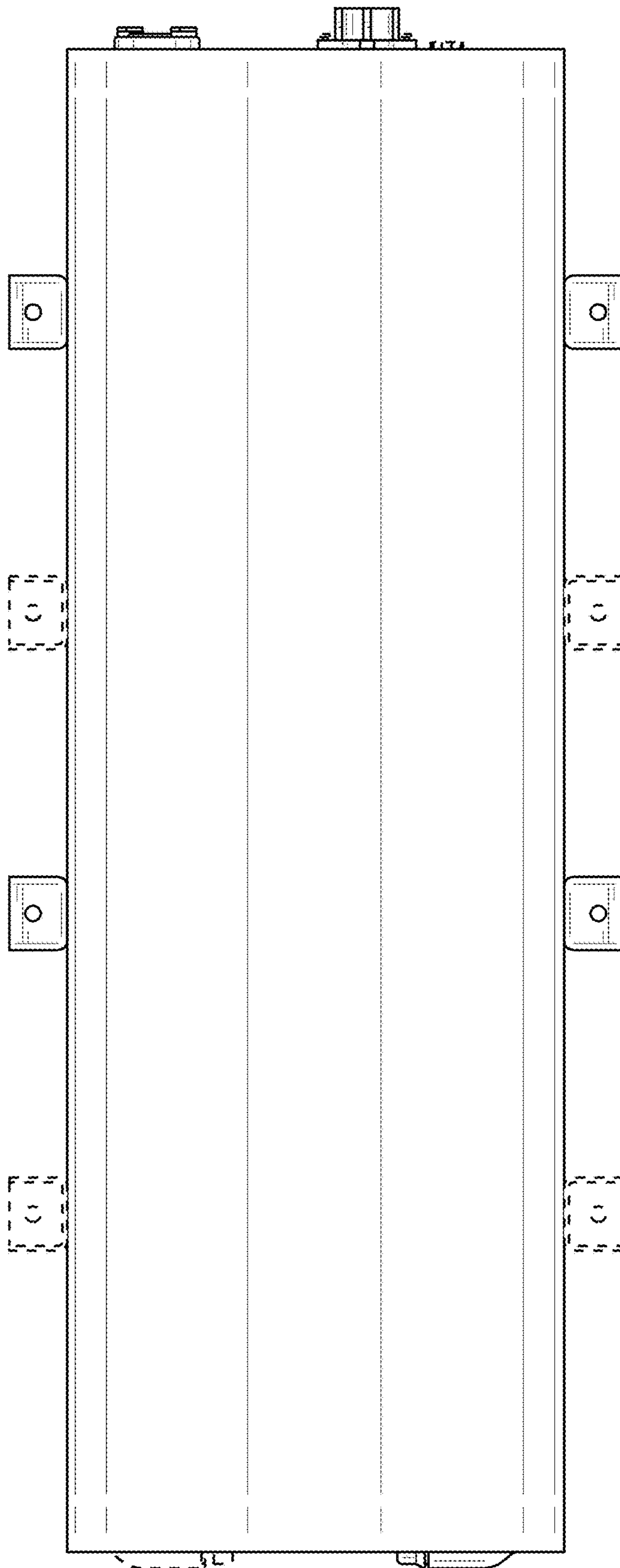


FIG. 7